



US00D989973S

(12) **United States Design Patent**
Hong et al.

(10) **Patent No.:** **US D989,973 S**
(45) **Date of Patent:** **** Jun. 20, 2023**

- (54) **FASCIA GUN**
- (71) Applicant: **Guangdong Yongsheng Technology Development Co., Ltd**, Guangzhou (CN)
- (72) Inventors: **Andi Hong**, Guangzhou (CN); **Liang Chen**, Guangzhou (CN)
- (**) Term: **15 Years**
- (21) Appl. No.: **29/790,880**
- (22) Filed: **Dec. 20, 2021**
- (51) **LOC (14) Cl.** **24-01**
- (52) **U.S. Cl.**
USPC **D24/215**
- (58) **Field of Classification Search**
USPC D24/200, 211, 212, 213, 214, 215;
D8/14.1; D28/13
CPC A61H 23/006; A61H 2201/0157; A61H 23/00; A61H 2201/0153; A61H 2201/0165
See application file for complete search history.

D950,753 S *	5/2022	Zhang	D24/215
D952,174 S *	5/2022	Shu	D24/215
D956,259 S *	6/2022	Xu	D24/215
D956,992 S *	7/2022	Lin	D24/215
D968,631 S *	11/2022	Zheng	D24/215
D968,637 S *	11/2022	Xie	D24/215
D969,335 S *	11/2022	Zhang	D24/215
D974,581 S *	1/2023	Brailey	D24/215
D974,582 S *	1/2023	Wang	D24/215

* cited by examiner

Primary Examiner — Michael A Maharajh

(74) *Attorney, Agent, or Firm* — Rumit Ranjit Kanakia

(57) **CLAIM**

The ornamental design for a fascia gun, as shown and described.

DESCRIPTION

FIG. 1 is a first perspective view of a fascia gun showing our new design;
 FIG. 2 is a second perspective view thereof;
 FIG. 3 is a front view thereof;
 FIG. 4 is a back view thereof;
 FIG. 5 is a left side view thereof;
 FIG. 6 is a right side view thereof;
 FIG. 7 is a top view thereof; and,
 FIG. 8 is a bottom view thereof.

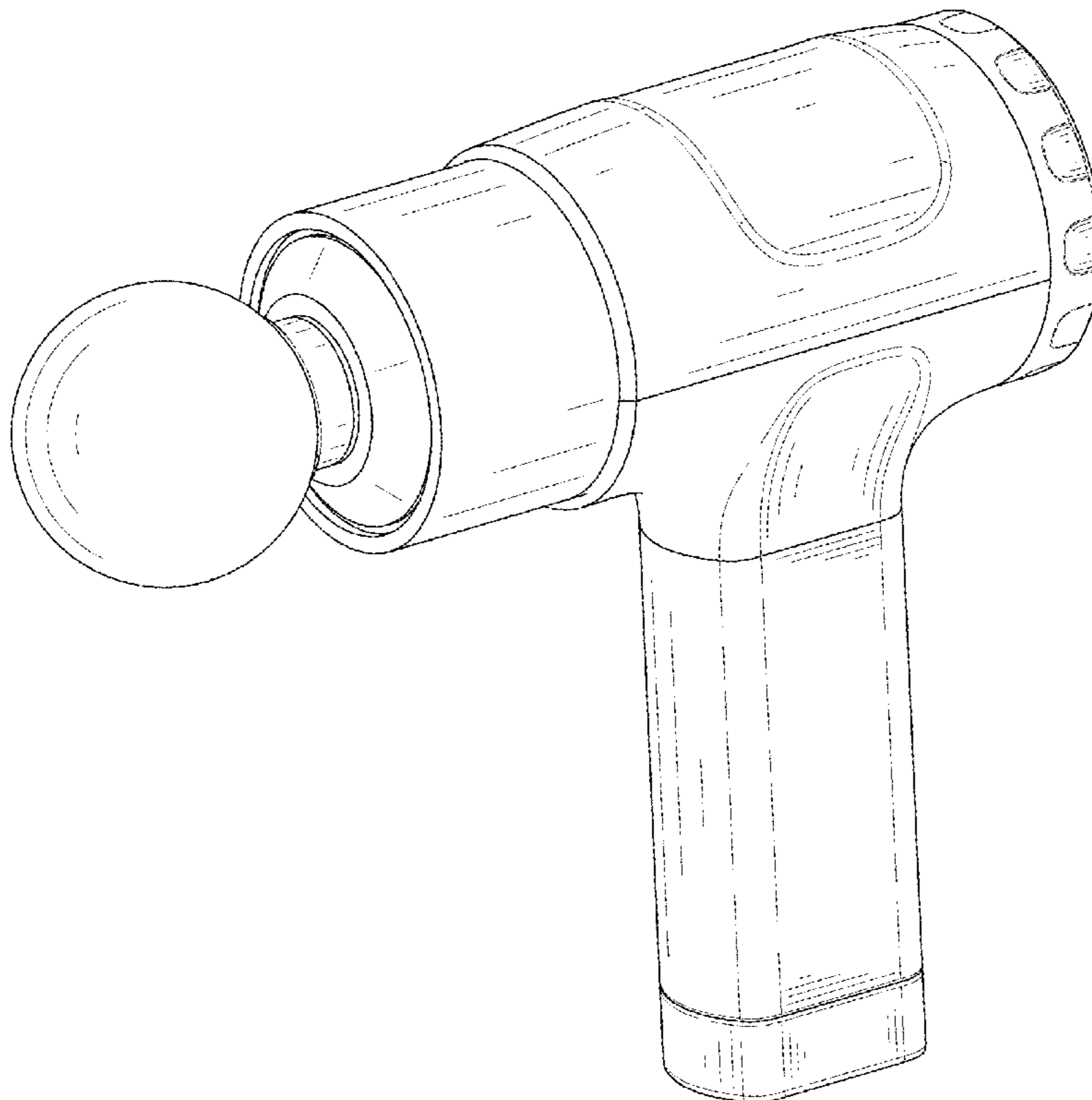
The broken lines shown in the drawings depict portions of the fascia gun in which the design is embodied that form no part of the claimed design.

1 Claim, 8 Drawing Sheets

(56) **References Cited**

U.S. PATENT DOCUMENTS

D927,715 S *	8/2021	Li	D24/215
D931,487 S *	9/2021	Li	D24/215
D933,250 S *	10/2021	Shen	D24/211
D933,844 S *	10/2021	Chen	D24/214
D949,389 S *	4/2022	Ying	D24/215
D950,088 S *	4/2022	Tian	D24/215



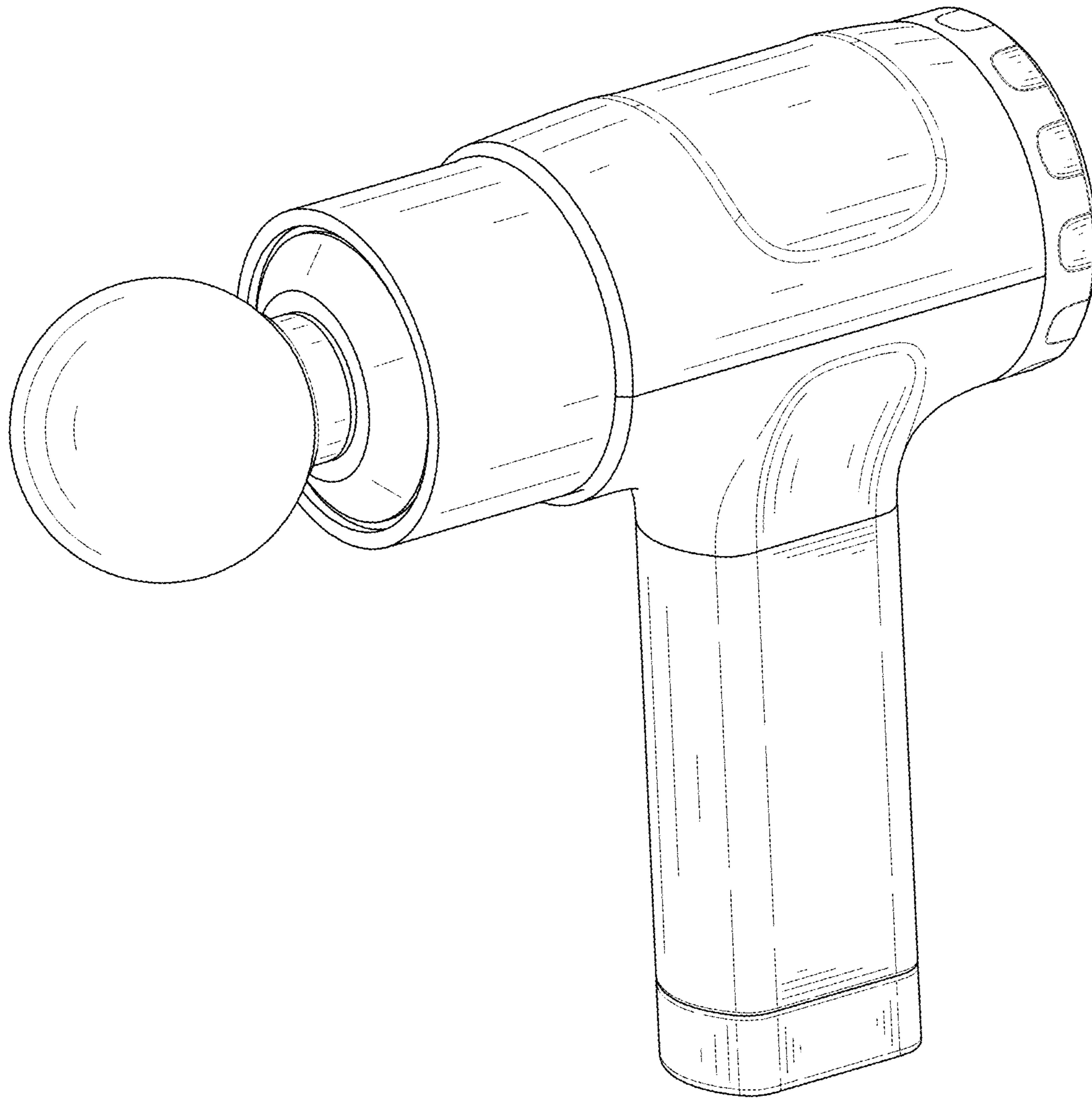


FIG. 1

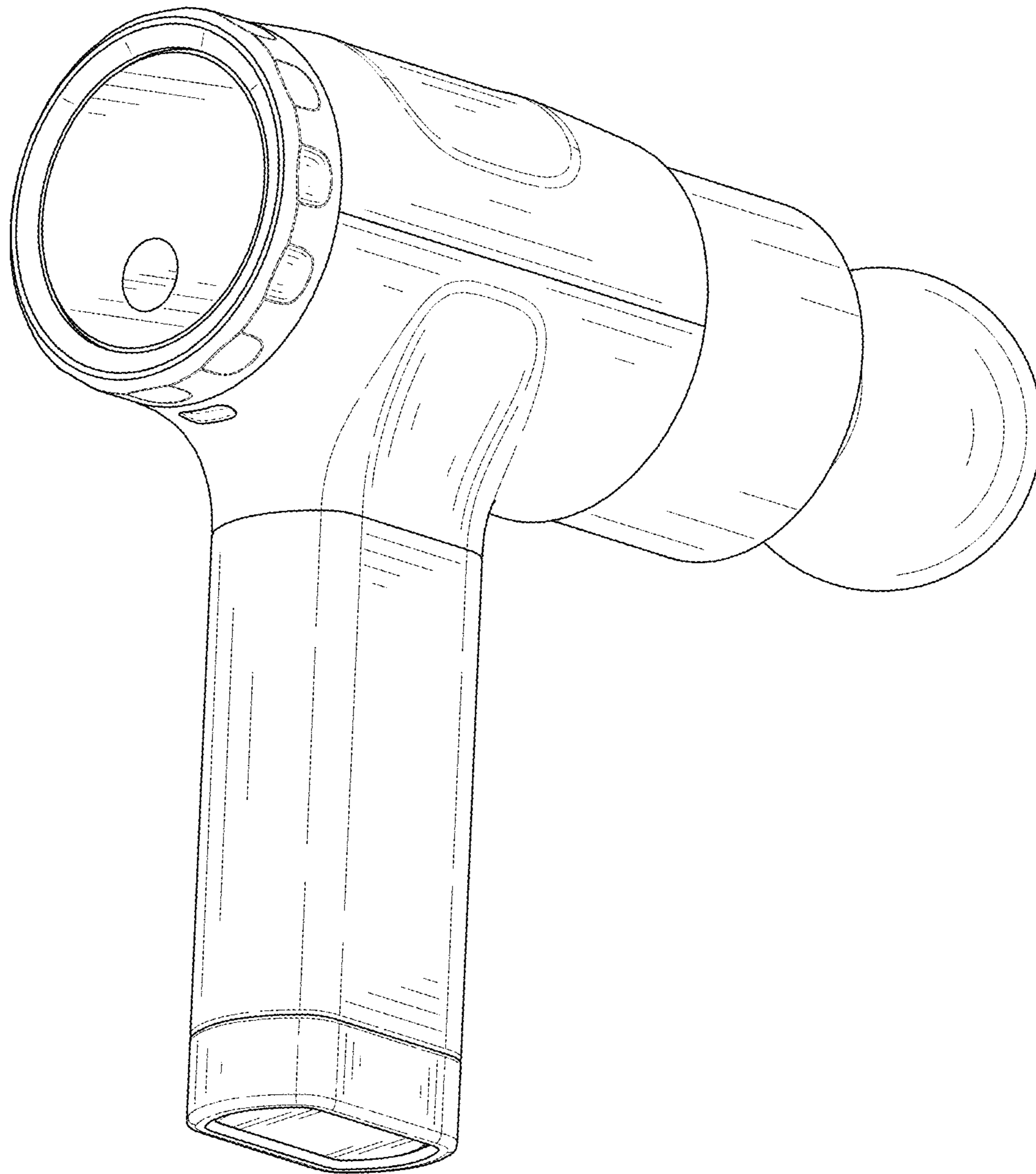


FIG. 2

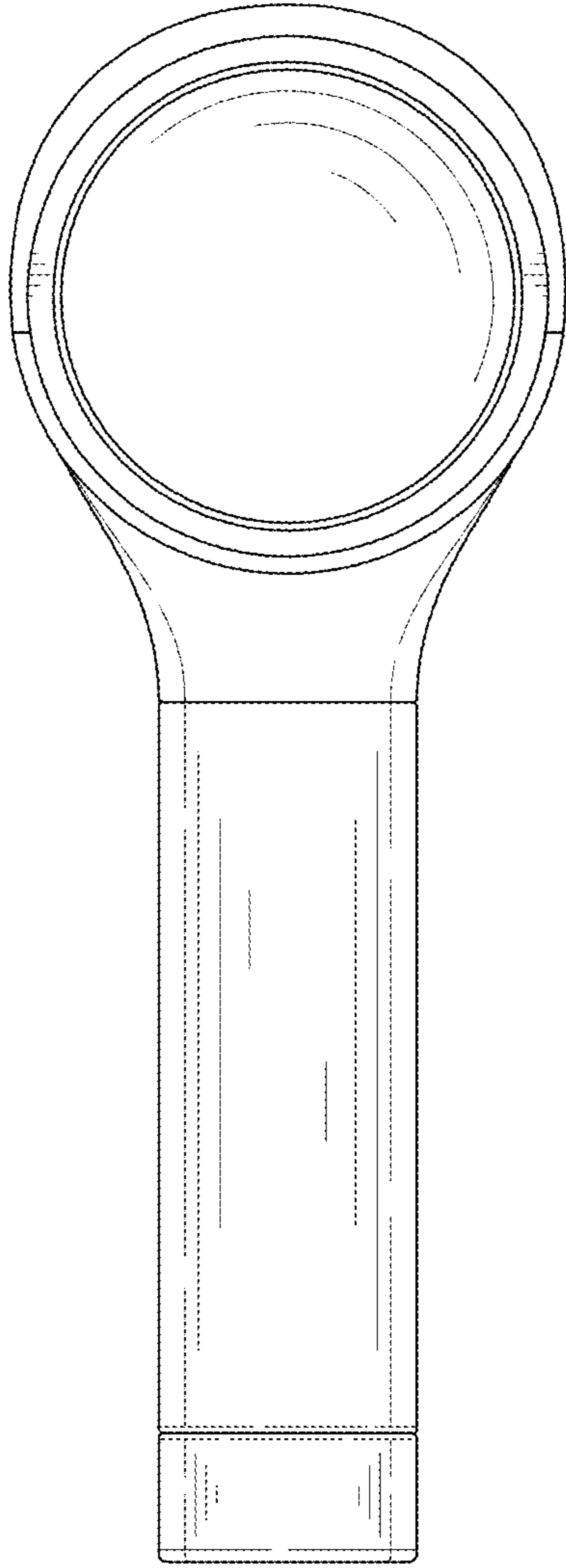


FIG. 3

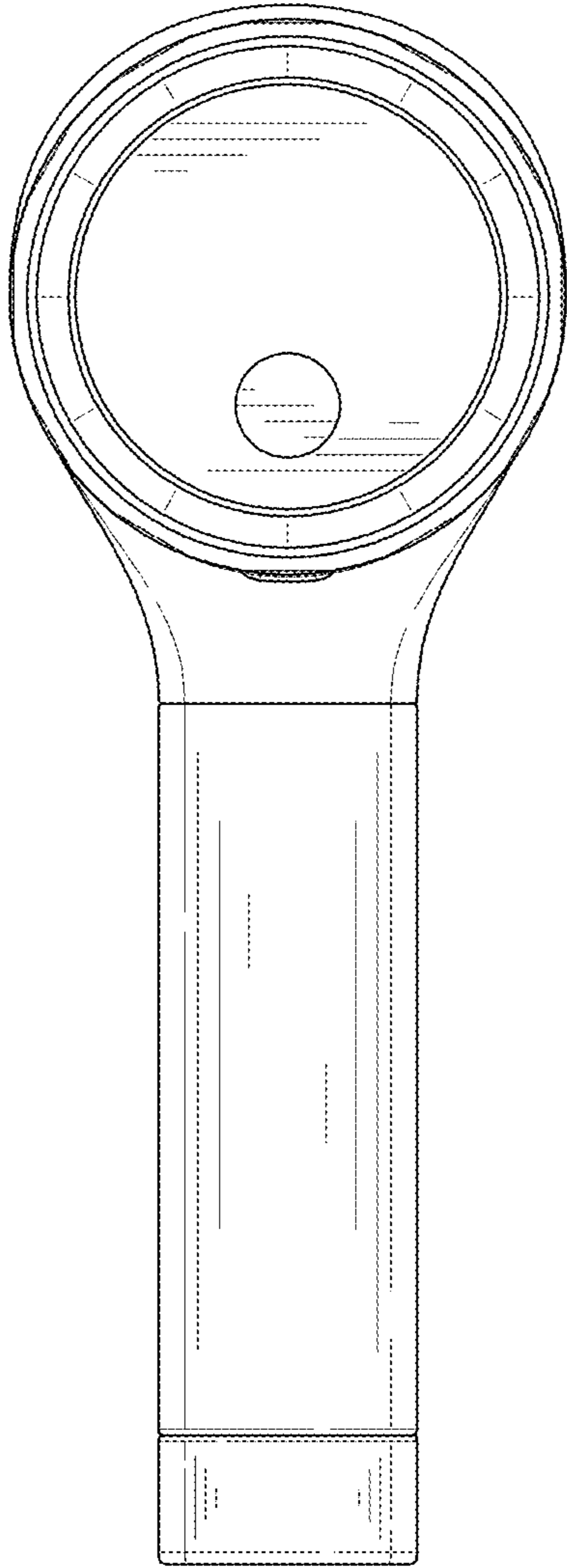


FIG. 4

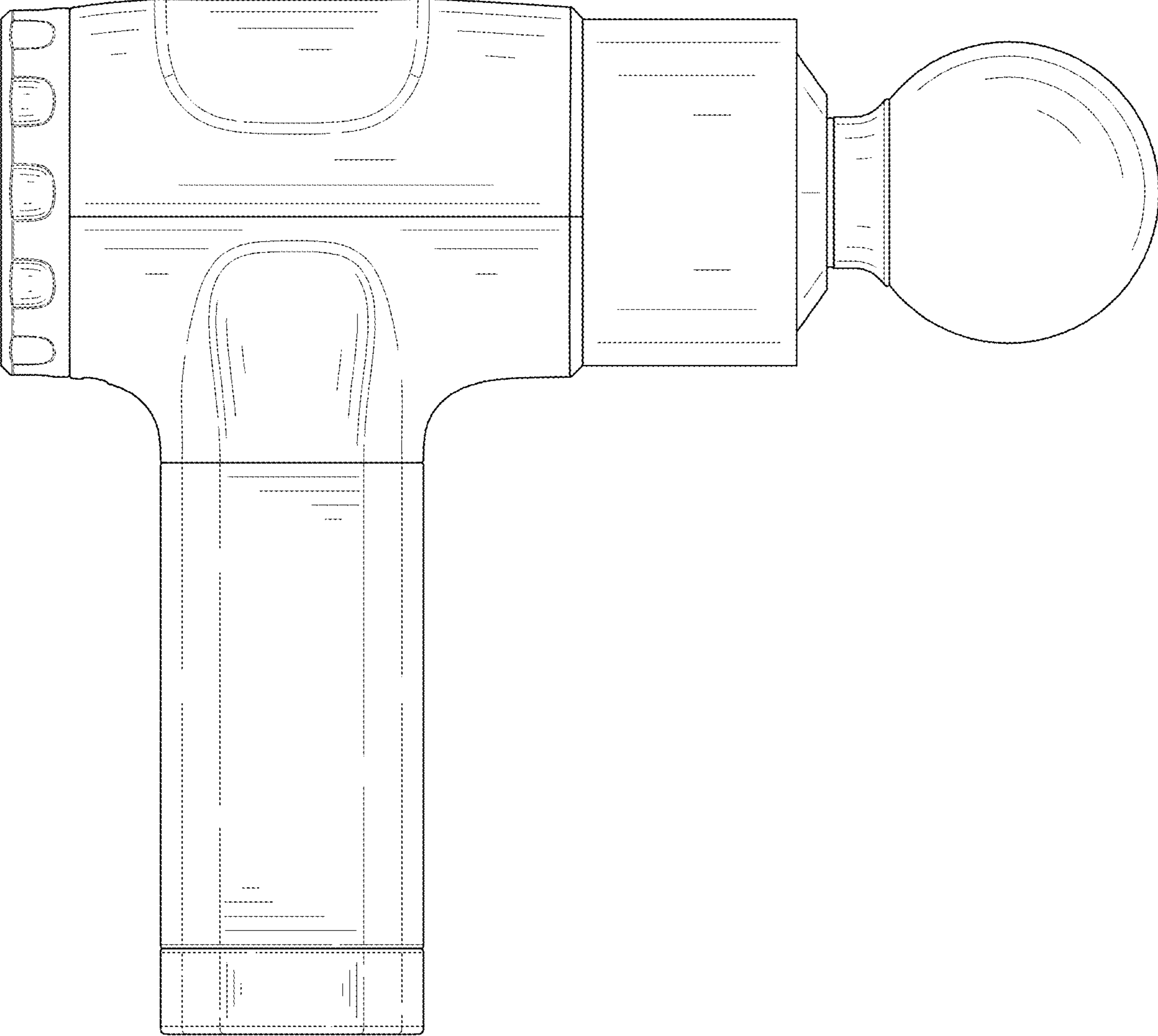


FIG. 5

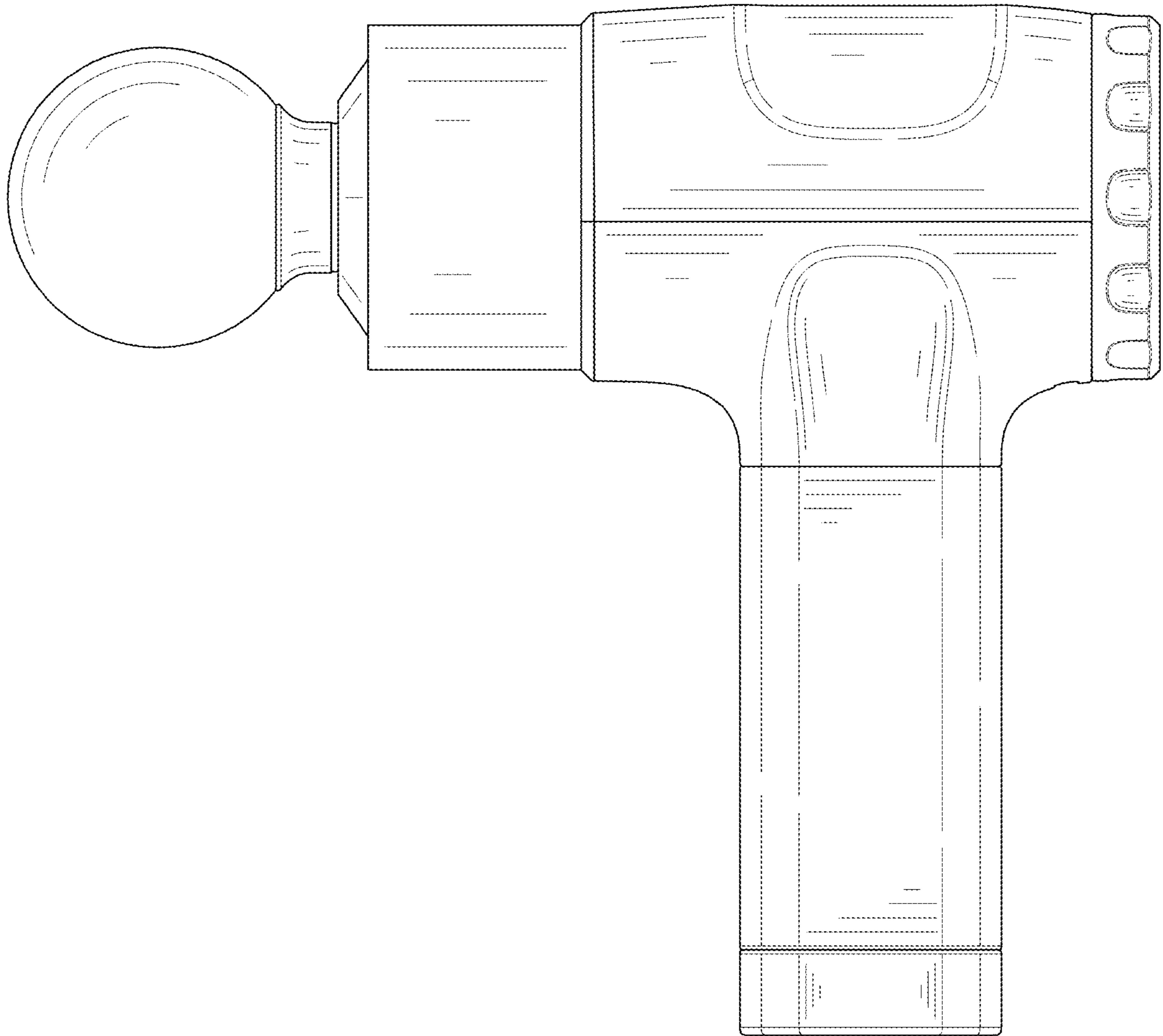


FIG. 6

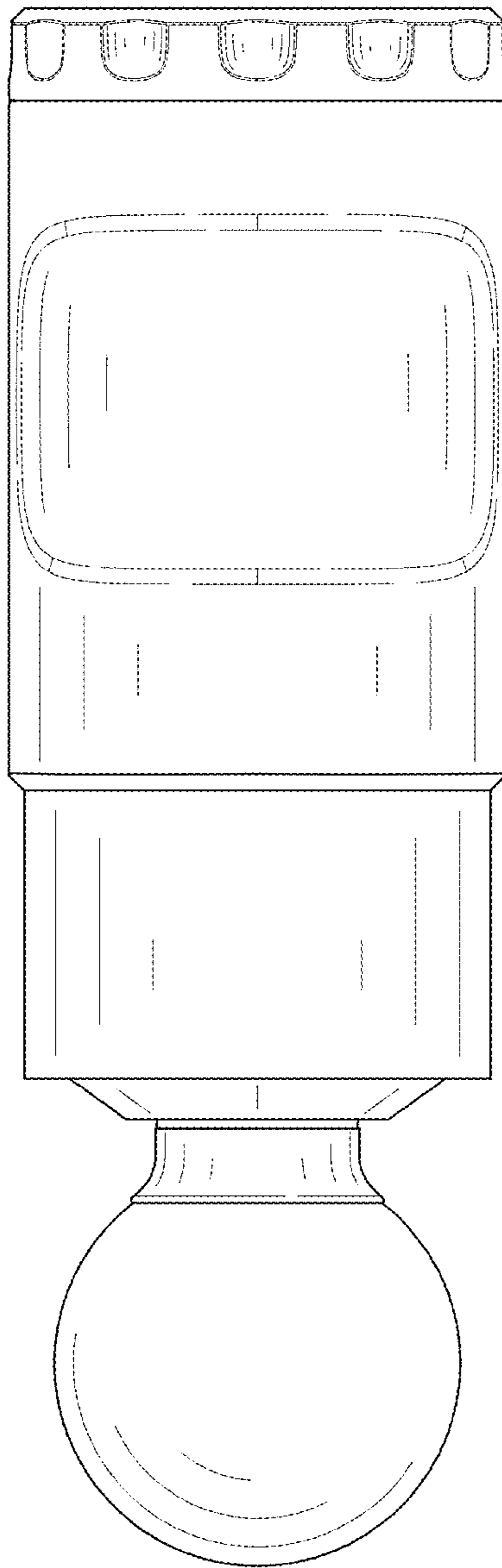


FIG. 7

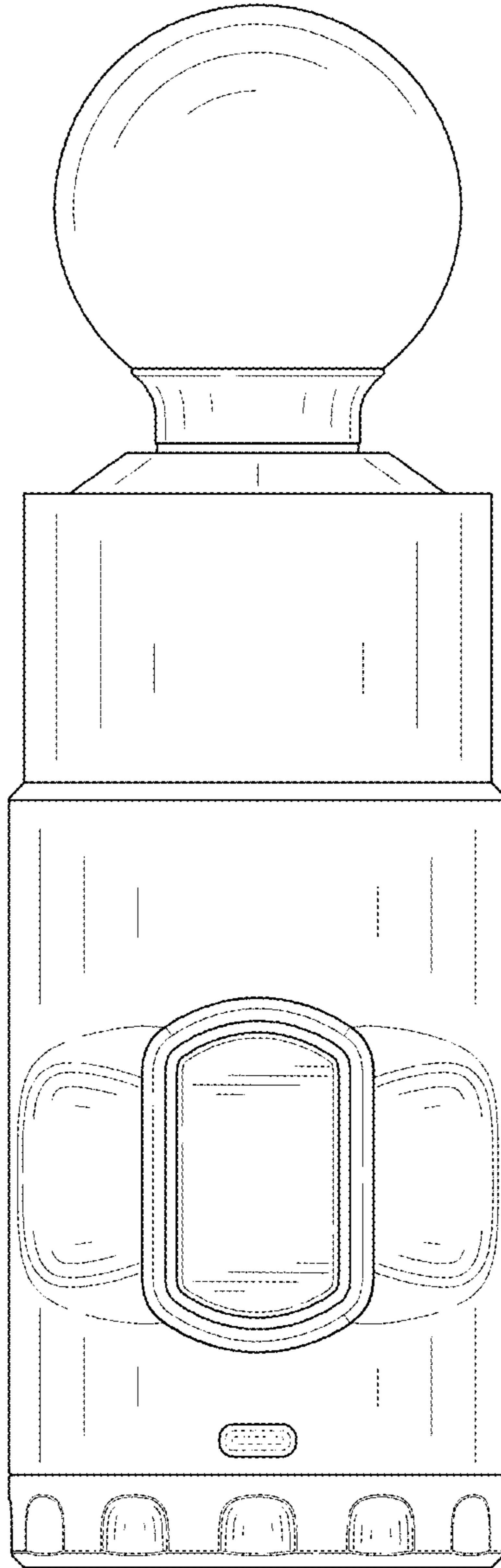


FIG. 8