



US00D989965S

(12) **United States Design Patent** (10) **Patent No.:** **US D989,965 S**
Refai (45) **Date of Patent:** **** Jun. 20, 2023**

(54) **SPINAL CAGE**

(71) Applicant: **REFAI TECHNOLOGIES, LLC**,
Atlanta, GA (US)

(72) Inventor: **Daniel Refai**, Atlanta, GA (US)

(73) Assignee: **REFAI TECHNOLOGIES, LLC**,
Atlanta, GA (US)

(**) Term: **15 Years**

(21) Appl. No.: **29/867,642**

(22) Filed: **Nov. 1, 2022**

Related U.S. Application Data

(63) Continuation of application No. 29/864,748, filed on
Jun. 16, 2022, now Pat. No. Des. 979,063, which is a
(Continued)

(51) **LOC (14) Cl.** **24-03**

(52) **U.S. Cl.**
USPC **D24/155**

CPC **A61F 2/447** (2013.01); **A61B 17/7059**
(2013.01); **A61F 2002/30331** (2013.01); **A61F**
2002/30393 (2013.01); **A61F 2002/30395**
(2013.01); **A61F 2002/30428** (2013.01); **A61F**
2002/30431 (2013.01); **A61F 2002/30484**
(2013.01); **A61F 2002/30507** (2013.01); **A61F**
2002/30514 (2013.01); **A61F 2002/30553**
(2013.01); **A61F 2002/30578** (2013.01); **A61F**
2002/30579 (2013.01); **A61F 2002/30593**
(2013.01); **A61F 2002/30785** (2013.01); **A61F**
2002/30828 (2013.01); **A61F 2310/00011**
(2013.01); **A61F 2310/00023** (2013.01); **A61F**
2310/00071 (2013.01); **A61F 2310/00179**
(2013.01)

(58) **Field of Classification Search**

USPC D24/155
CPC A61F 2/44
See application file for complete search history.

(56) **References Cited**

U.S. PATENT DOCUMENTS

6,159,245 A 12/2000 Meriwether et al.
6,428,542 B1 8/2002 Michelson
(Continued)

FOREIGN PATENT DOCUMENTS

FR 2822674 10/2002
WO 20120121726 9/2012

OTHER PUBLICATIONS

Extended European Search Report issued in European Patent Appli-
cation No. 15755595.4 dated Oct. 30, 2017.

(Continued)

Primary Examiner — Charles D Hanson

(74) *Attorney, Agent, or Firm* — Heslin Rothenberg
Farley & Mesiti PC

(57) **CLAIM**

The ornamental design for a spinal cage, as shown and
described.

DESCRIPTION

FIG. 1 is a front, top perspective view of a spinal cage
comprising the new design;

FIG. 2 is a back, bottom perspective view of the design of
FIG. 1;

FIG. 3 is a front elevational view of the design of FIG. 1;

FIG. 4 is a back elevational view of the design of FIG. 1;

FIG. 5 is a top view of the design of FIG. 1;

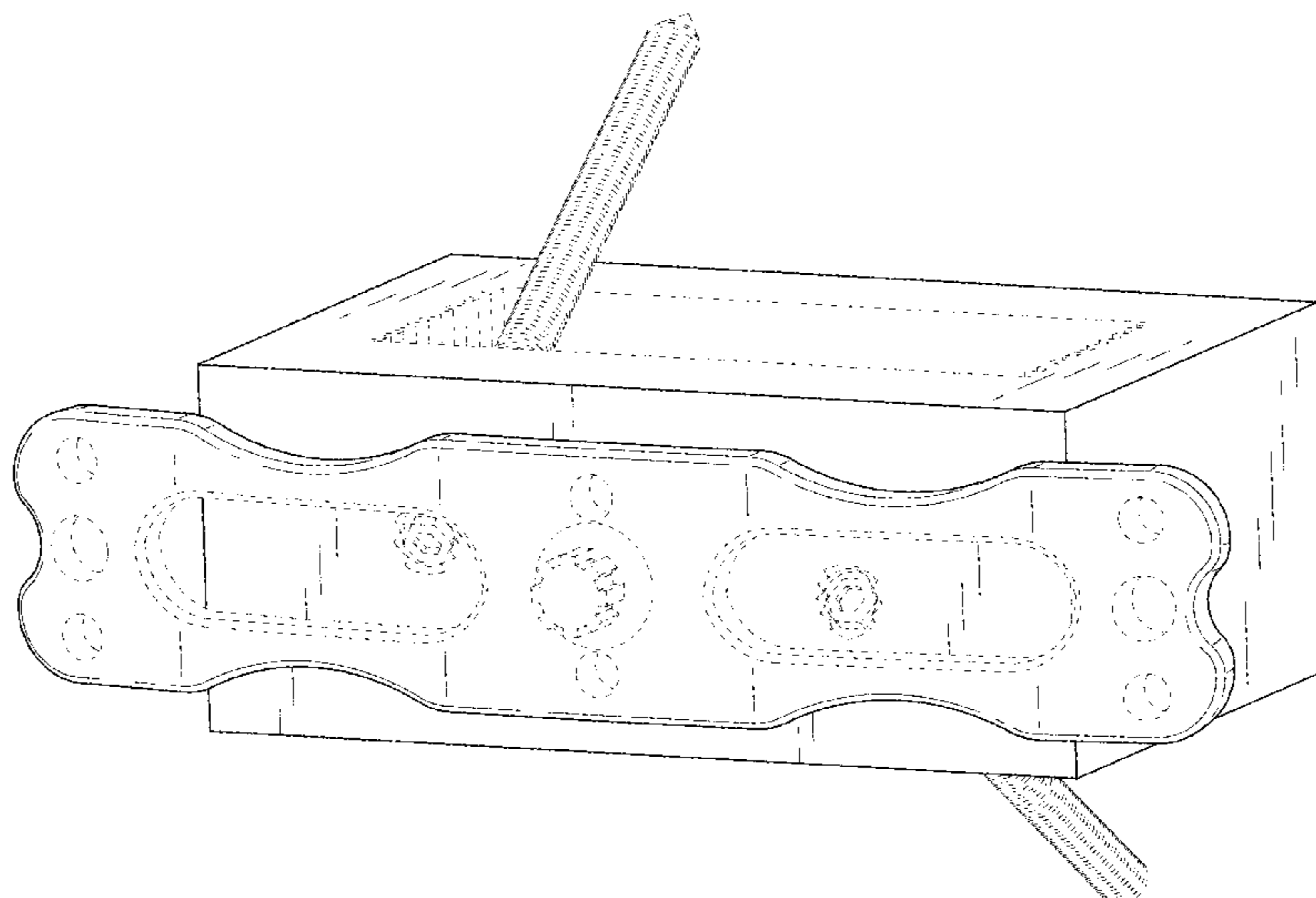
FIG. 6 is a bottom view of the design of FIG. 1;

FIG. 7 is a left side elevational of the design of FIG. 1; and,

FIG. 8 is a right side elevational view of the design of FIG.
1.

The broken lines are directed to the environment and are for
illustrative purposes only; the broken lines form no part of
the claimed spinal cage invention.

1 Claim, 8 Drawing Sheets



Related U.S. Application Data

continuation of application No. 29/802,289, filed on Aug. 4, 2021, now Pat. No. Des. 958,367, which is a continuation of application No. 16/281,842, filed on Feb. 21, 2019, now Pat. No. 11,083,594, which is a continuation of application No. 15/121,088.

(56)

References Cited

U.S. PATENT DOCUMENTS

6,436,100	B1	8/2002	Berger	
6,569,165	B2	5/2003	Wahl et al.	
7,077,864	B2	7/2006	Byrd, III et al.	
7,172,627	B2	2/2007	Fiere et al.	
7,322,983	B2 *	1/2008	Harris	A61B 17/8057 606/273
8,100,972	B1	1/2012	Bruffey et al.	
8,268,000	B2	9/2012	Waugh et al.	
D720,458	S *	12/2014	Hagenmeyer	D24/155
9,132,021	B2	9/2015	Mermuys et al.	
D742,008	S *	10/2015	Schifano	D24/155
9,949,769	B2 *	4/2018	Serhan	A61B 17/7062
D855,184	S *	7/2019	Predick	A61B 17/8061 D24/155

2006/0085071	A1	4/2006	Lechmann et al.	
2009/0105830	A1 *	4/2009	Jones	A61F 2/4465 606/301
2010/0249935	A1 *	9/2010	Slivka	A61F 2/4611 623/17.11
2012/0078371	A1 *	3/2012	Gamache	A61F 2/4465 623/17.16
2013/0158668	A1 *	6/2013	Nichols	A61F 2/4611 623/17.16
2013/0218276	A1 *	8/2013	Fiechter	A61F 2/4465 623/17.16
2013/0345814	A1	12/2013	Walkenhorst et al.	
2014/0046447	A1	2/2014	Dunworth et al.	
2014/0052255	A1	2/2014	Defalco et al.	
2014/0100663	A1	4/2014	Messerli et al.	
2014/0277497	A1 *	9/2014	Bennett	A61F 2/4455 623/17.16
2016/0228257	A1 *	8/2016	Predick	A61B 17/8095
2018/0333269	A1 *	11/2018	Whipple	A61B 17/86

OTHER PUBLICATIONS

International Search Report and Written Opinion issued in PCT/US2015/017080 dated Jul. 8, 2015.

* cited by examiner

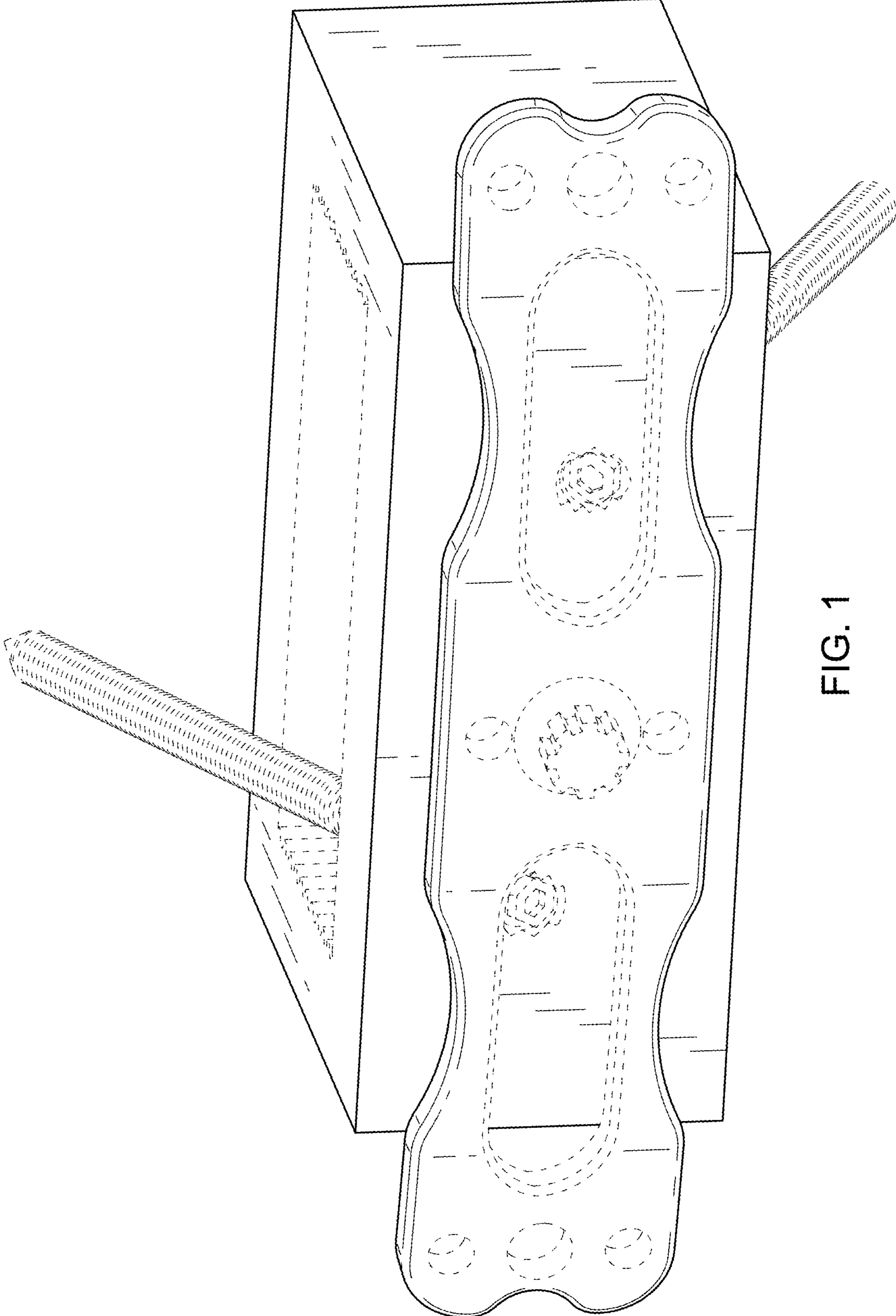


FIG. 1

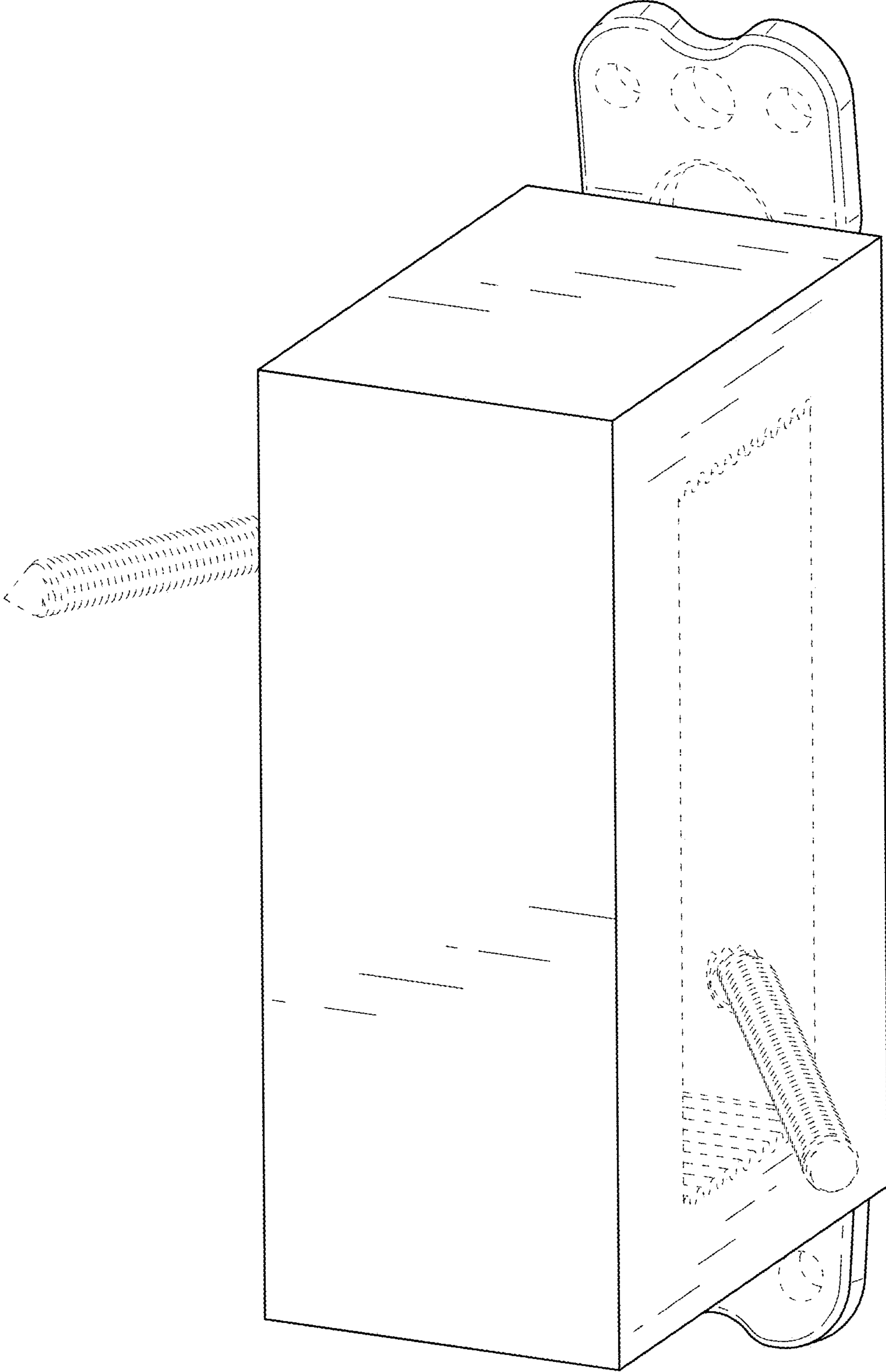


FIG. 2

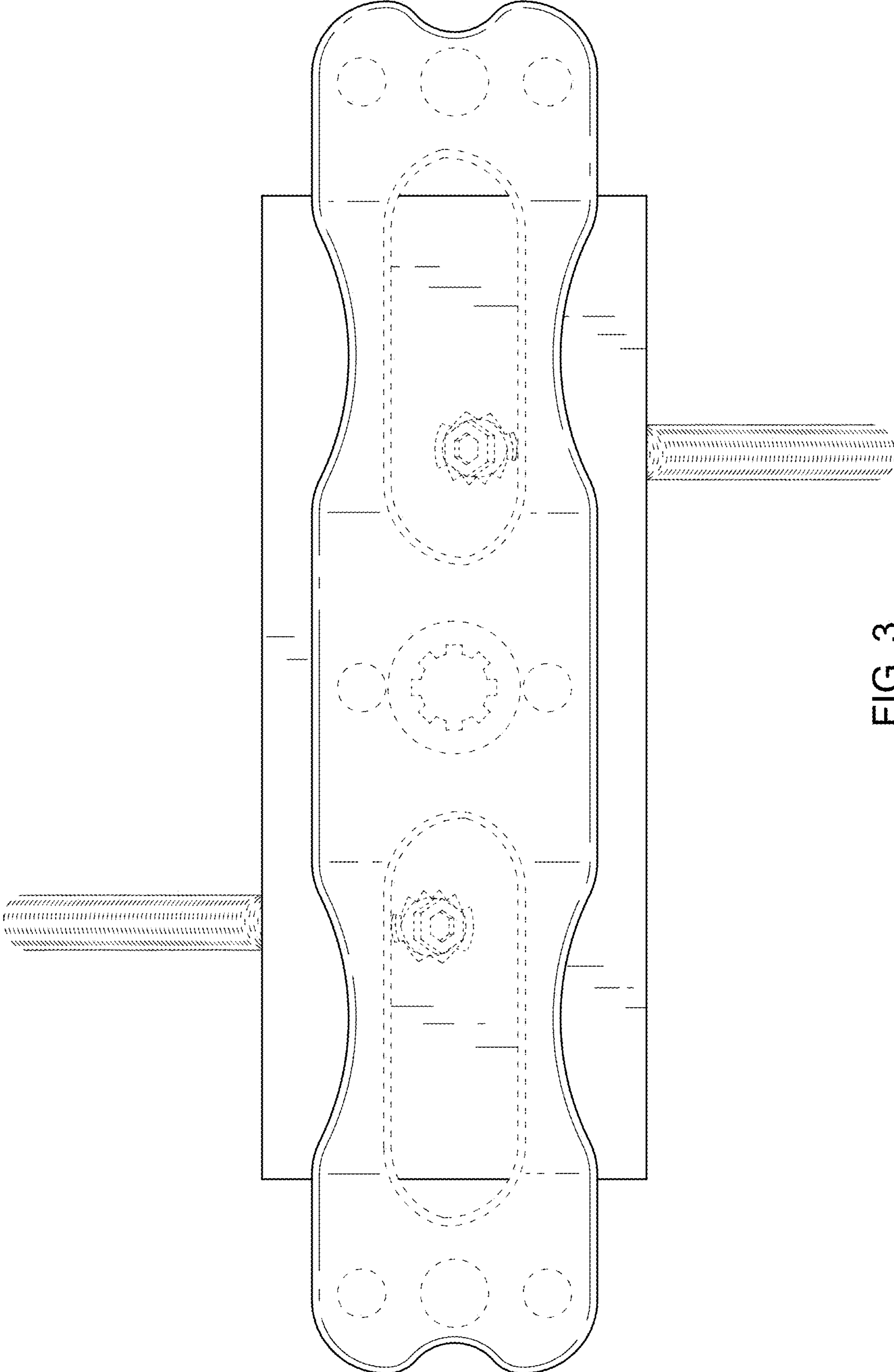


FIG. 3

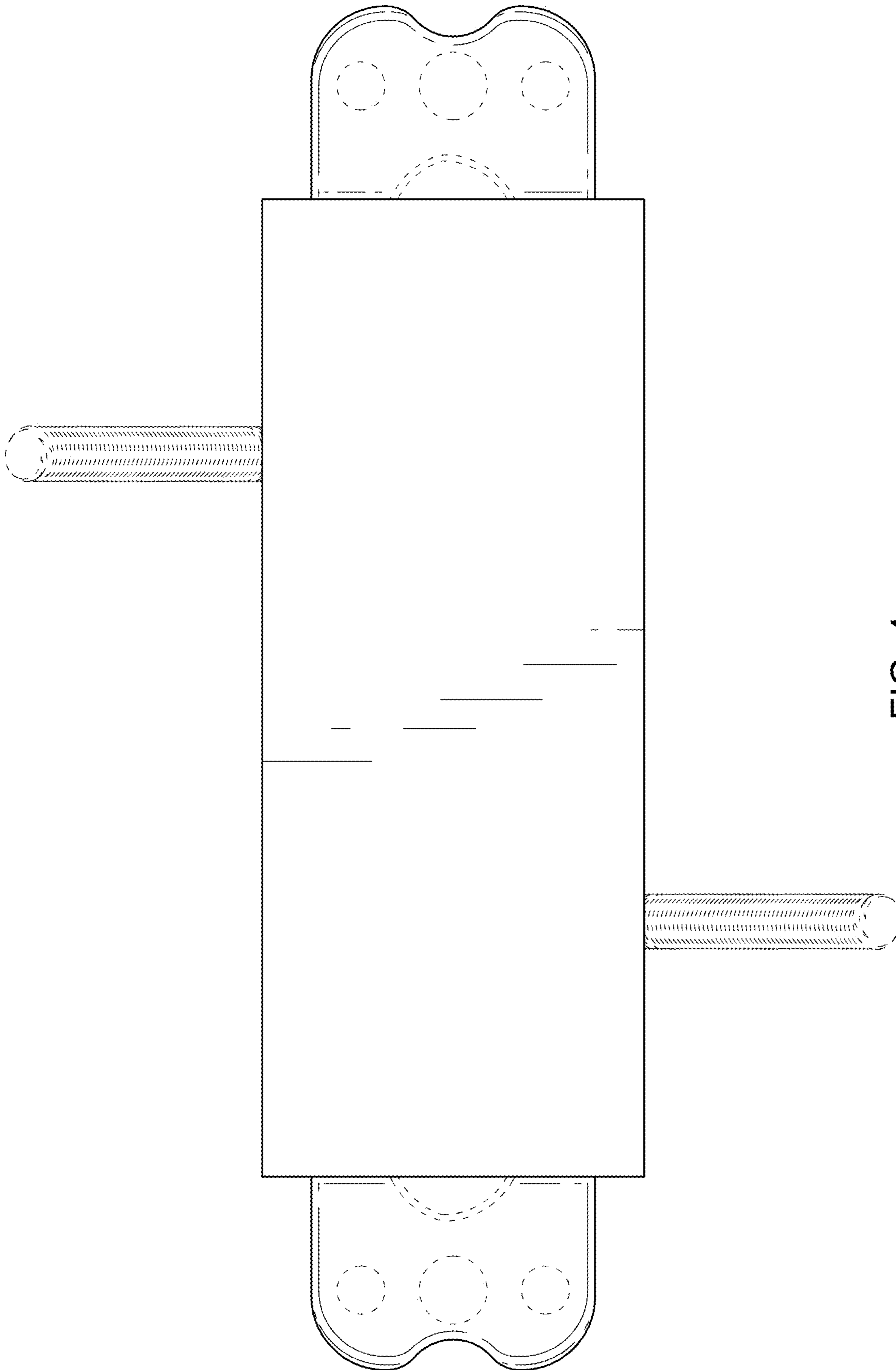


FIG. 4

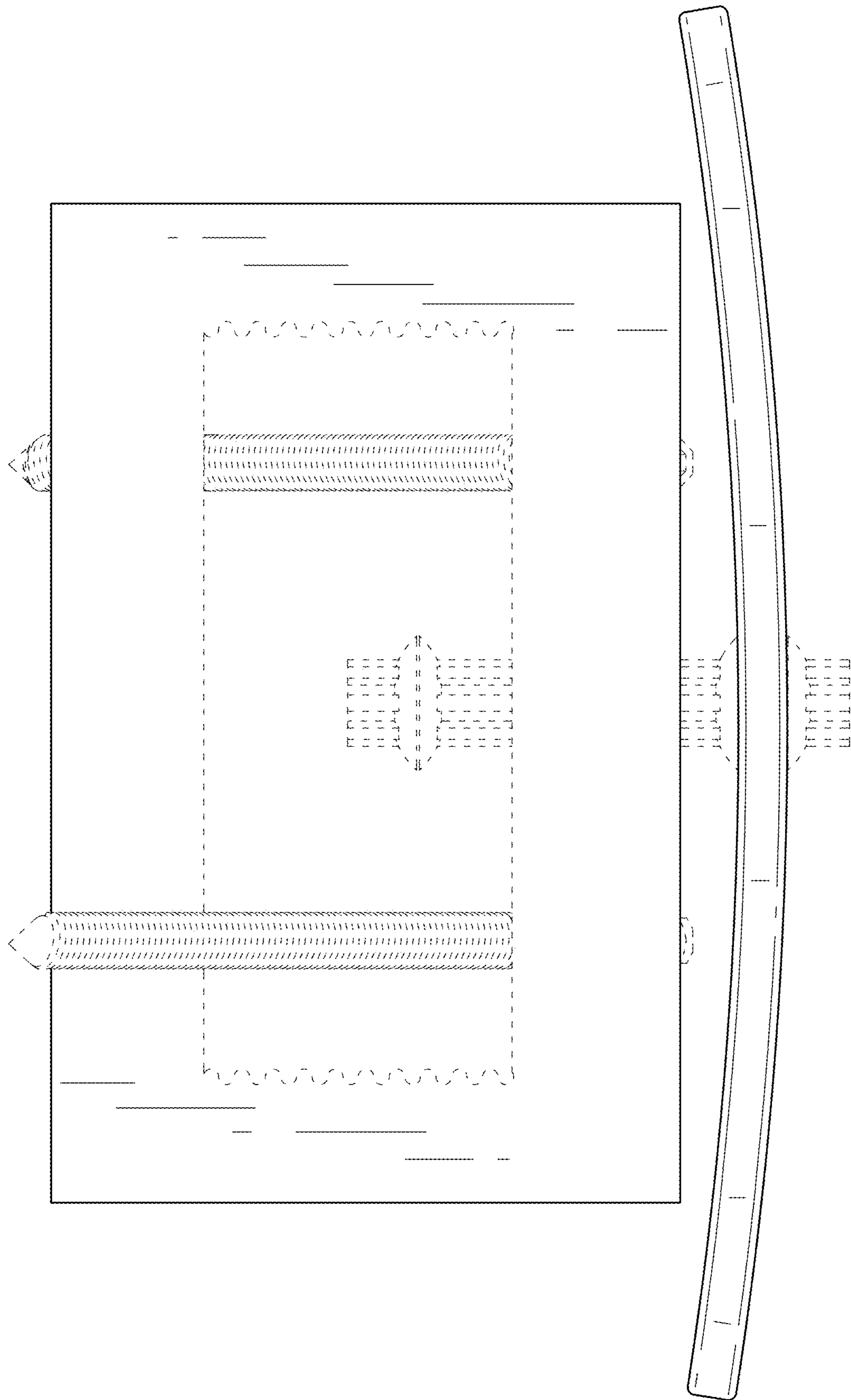


FIG. 5

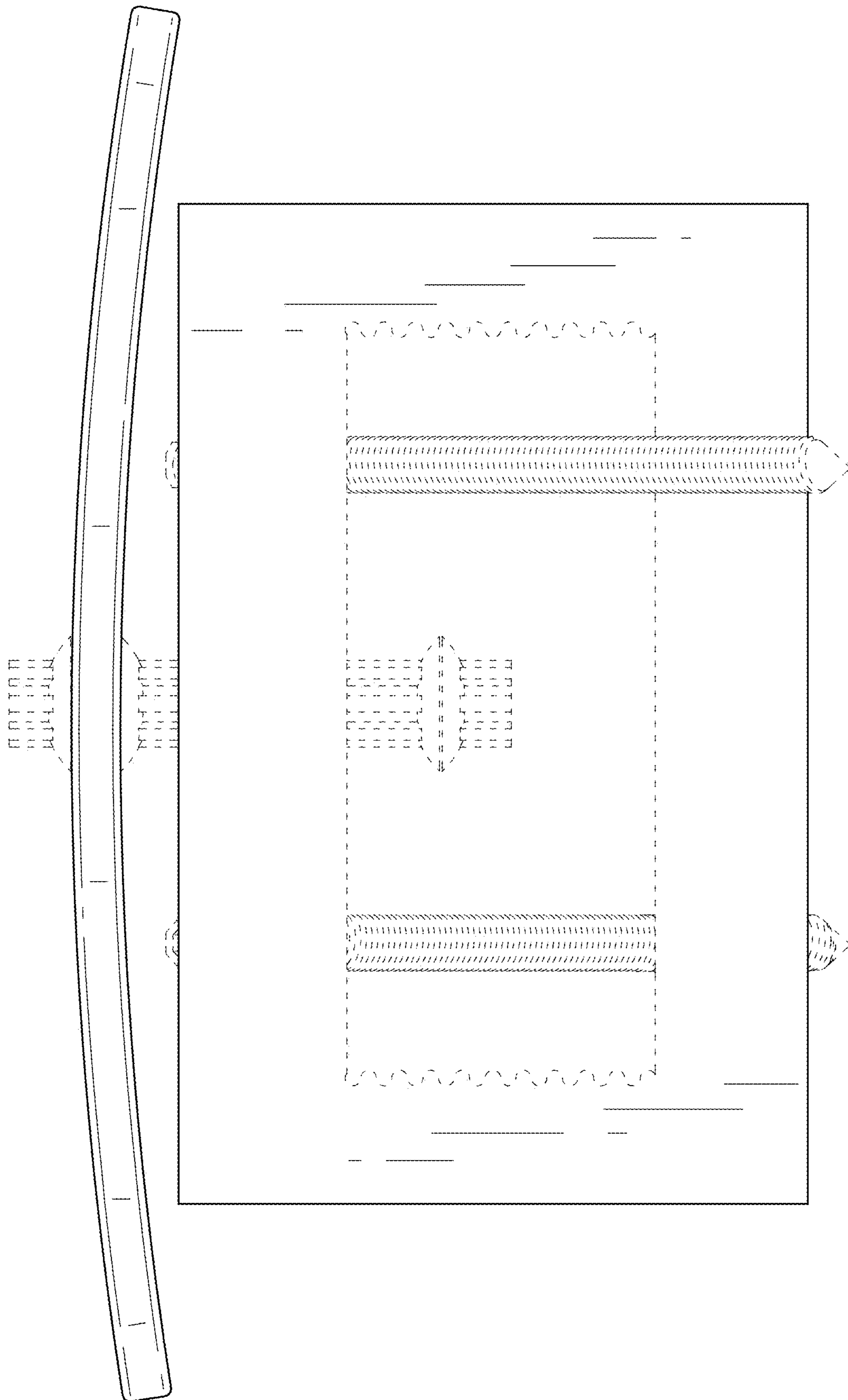


FIG. 6

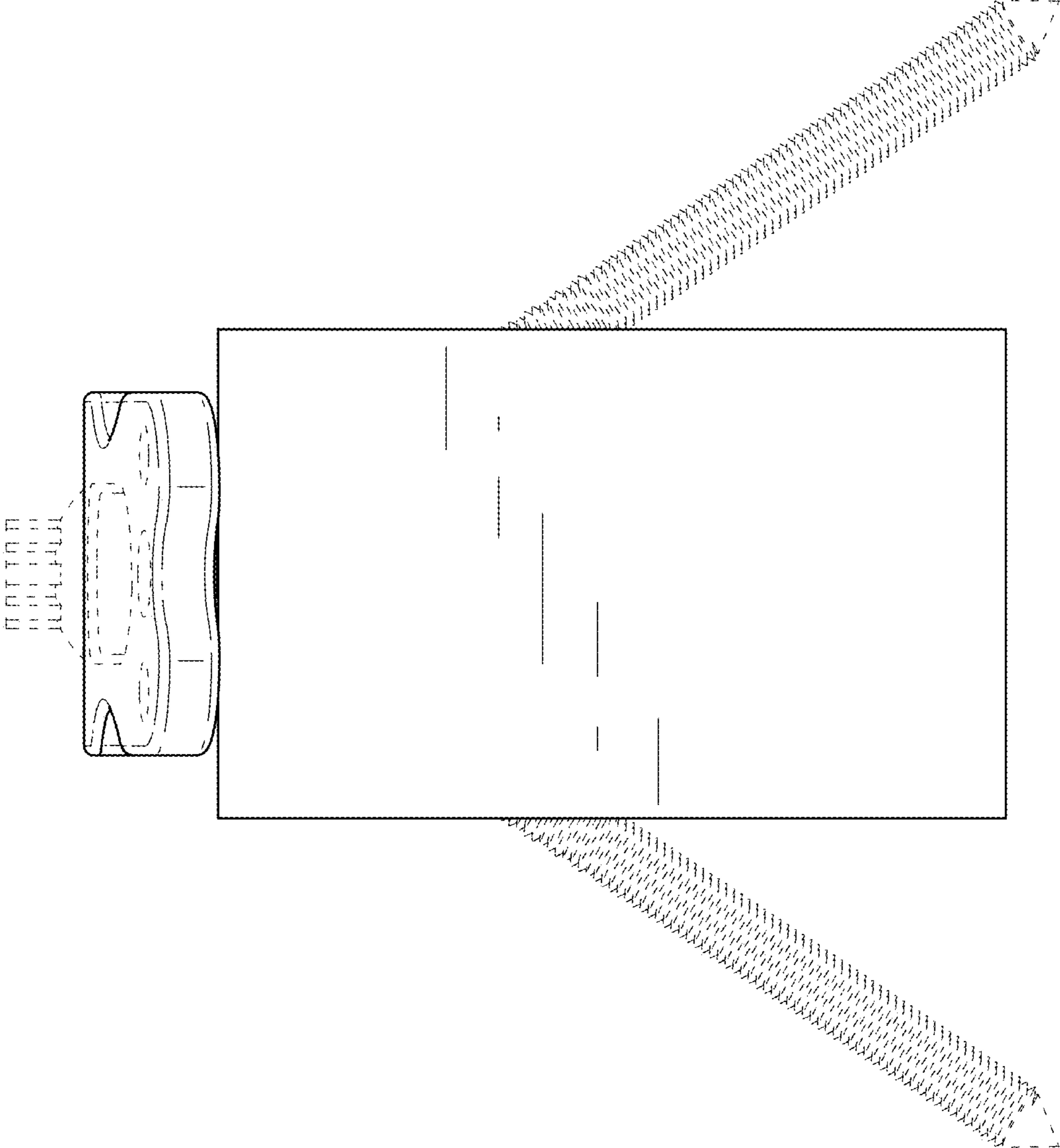


FIG. 7

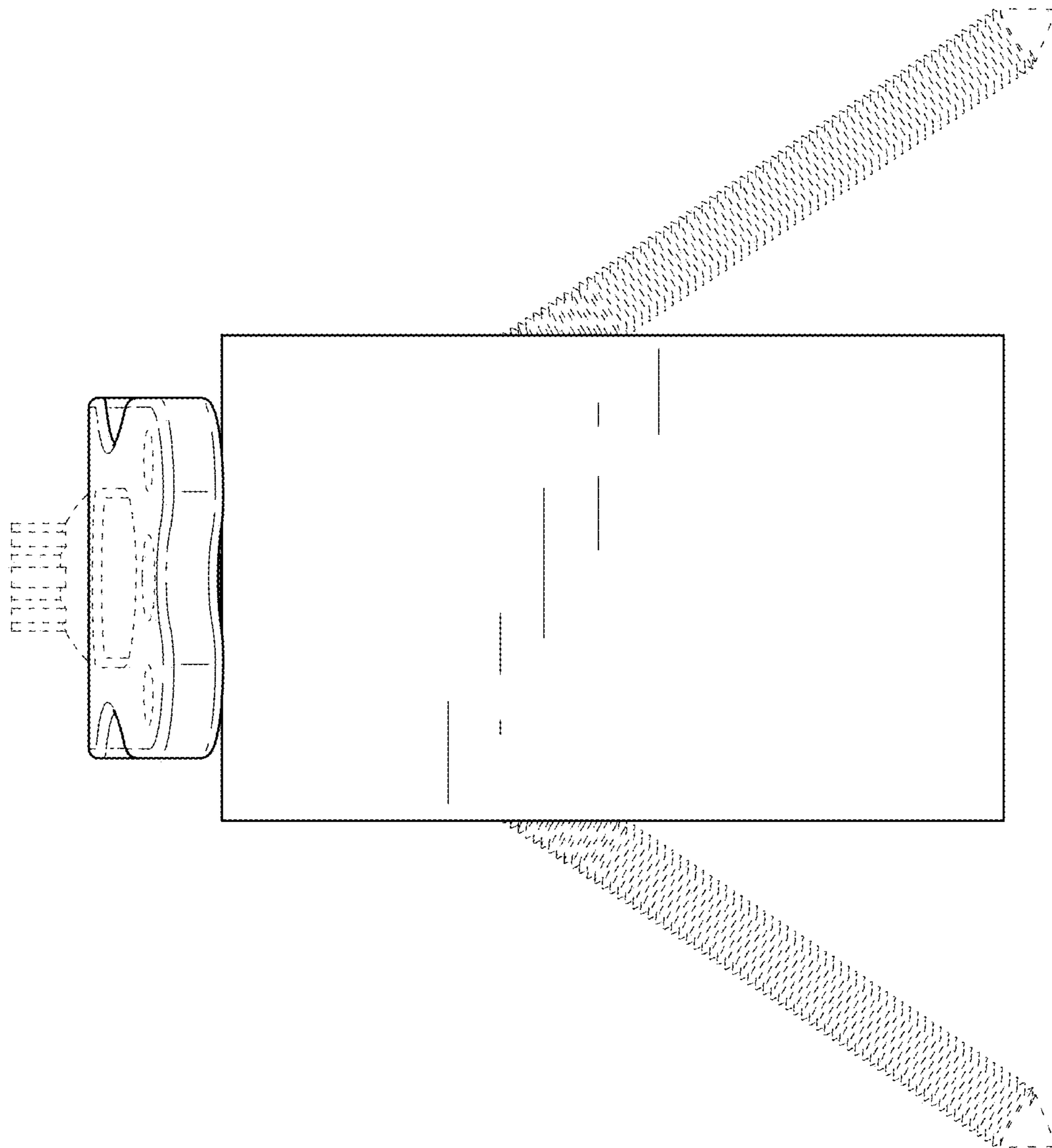


FIG. 8