



US00D989964S

(12) **United States Design Patent**
Pritchard

(10) **Patent No.:** **US D989,964 S**
(45) **Date of Patent:** **** Jun. 20, 2023**

(54) **MEDICAL IMPLANT DEVICE**
(71) Applicant: **LifeNet Health**, Virginia Beach, VA
(US)
(72) Inventor: **Andrew Pritchard**, Virginia Beach, VA
(US)
(73) Assignee: **LifeNet Health**, Virginia Beach, VA
(US)

8,226,714 B2 7/2012 Beck et al.
8,551,137 B2 10/2013 Cohen et al.
8,858,565 B1 10/2014 Hoof et al.
8,906,028 B2 12/2014 Kleiner et al.
9,072,562 B2 7/2015 Weiner et al.
9,282,977 B2 3/2016 Penzimer et al.
9,510,940 B2 12/2016 Chen et al.
D858,770 S * 9/2019 Lintula D24/155
(Continued)

(**) Term: **15 Years**
(21) Appl. No.: **29/845,115**
(22) Filed: **Jul. 5, 2022**

OTHER PUBLICATIONS
Notice of Allowance for U.S. Appl. No. 14/401,195, dated Jan. 15,
2020, 9 pages.
(Continued)

Related U.S. Application Data

(62) Division of application No. 29/701,439, filed on Aug.
12, 2019, now Pat. No. Des. 968,608.
(51) **LOC (14) Cl.** **24-03**
(52) **U.S. Cl.**
USPC **D24/155**
(58) **Field of Classification Search**
USPC D24/155
CPC A61B 17/8061; A61B 17/7059; A61B
17/8052; A61B 17/8605; A61B 17/8085;
A61B 17/809; A61B 17/8014; A61B
17/8033; A61B 17/8004; A61B 17/888;
A61B 17/842; A61B 17/8023; A61B
17/8009; A61B 17/86; A61B 17/1739;
A61B 17/8066; A61B 17/1671; A61B
17/1757; A61B 17/8071; A61B 17/176
See application file for complete search history.

Primary Examiner — Charles D Hanson
(74) *Attorney, Agent, or Firm* — RatnerPrestia

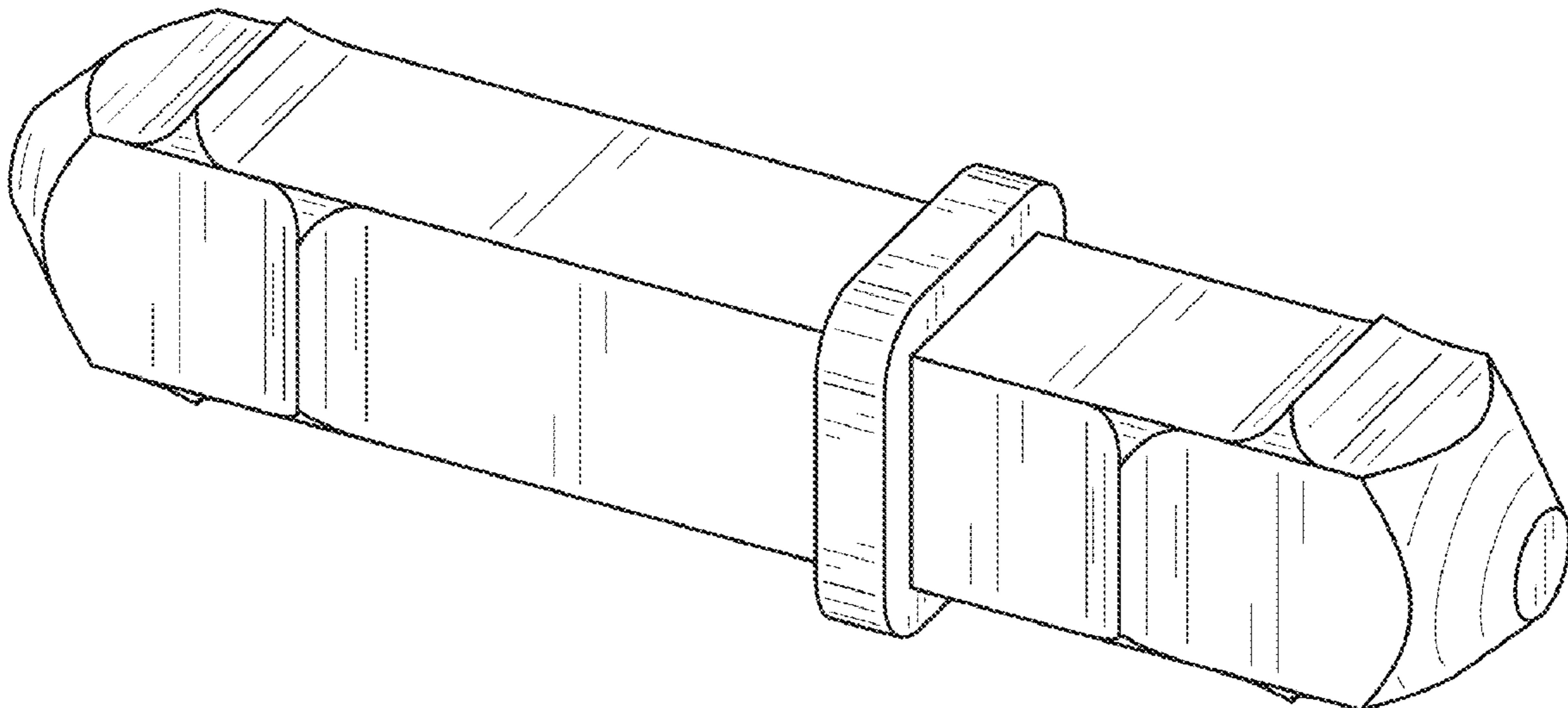
(57) **CLAIM**
The ornamental design for a medical implant device, as
shown and described.

DESCRIPTION

FIG. 1 is an isometric view of a medical implant device
according to a first embodiment;
FIG. 2 is a front elevation view thereof;
FIG. 3 is a rear elevation view thereof;
FIG. 4 is an elevation view thereof from the left side;
FIG. 5 is an elevation view thereof from the right side;
FIG. 6 is a top plan view thereof; and
FIG. 7 is a bottom plan view thereof.
FIG. 8 is an isometric view of a medical implant device
according to a second embodiment;
FIG. 9 is a front elevation view thereof;
FIG. 10 is a rear elevation view thereof;
FIG. 11 is an elevation view thereof from the left side;
FIG. 12 is an elevation view thereof from the right side;
FIG. 13 is a top plan view thereof; and,
FIG. 14 is a bottom plan view thereof.

(56) **References Cited**
U.S. PATENT DOCUMENTS
5,417,692 A * 5/1995 Goble A61B 17/7291
606/328
6,582,071 B1 5/2003 Jarvinen
7,491,226 B2 2/2009 Palmaz et al.

1 Claim, 4 Drawing Sheets



(56)

References Cited

U.S. PATENT DOCUMENTS

D915,592 S 4/2021 Mark
D916,290 S * 4/2021 Loria D24/155
D968,608 S * 11/2022 Pritchard D24/155
D968,609 S * 11/2022 Pritchard D24/155
2003/0032961 A1 2/2003 Pelo et al.
2010/0061825 A1* 3/2010 Liu B25B 13/08
411/493
2011/0301652 A1 12/2011 Reed et al.
2012/0089197 A1* 4/2012 Anderson A61B 17/7291
606/310
2013/0150965 A1 6/2013 Taylor et al.

OTHER PUBLICATIONS

Non Final Office Action for U.S. Appl. No. 16/844,412, dated Jan. 6, 2021, 18 pages.

Notice of Allowance for U.S. Appl. No. 16/844,412, dated Oct. 14, 2021, 7 pages.

Entire patent prosecution history of U.S. Appl. No. 29/701,439, filed Aug. 12, 2019, entitled, "Medical Inplant Device."

* cited by examiner

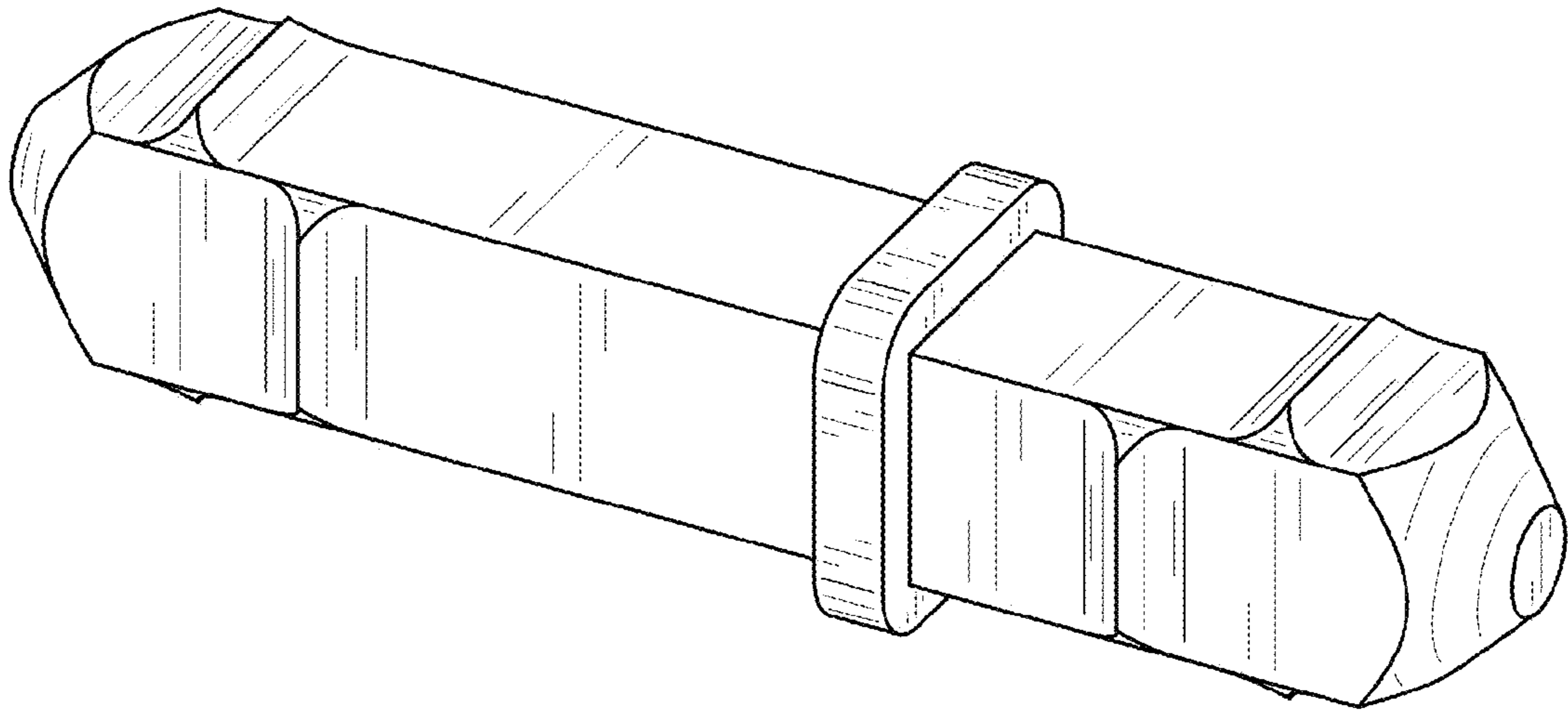


FIG. 1

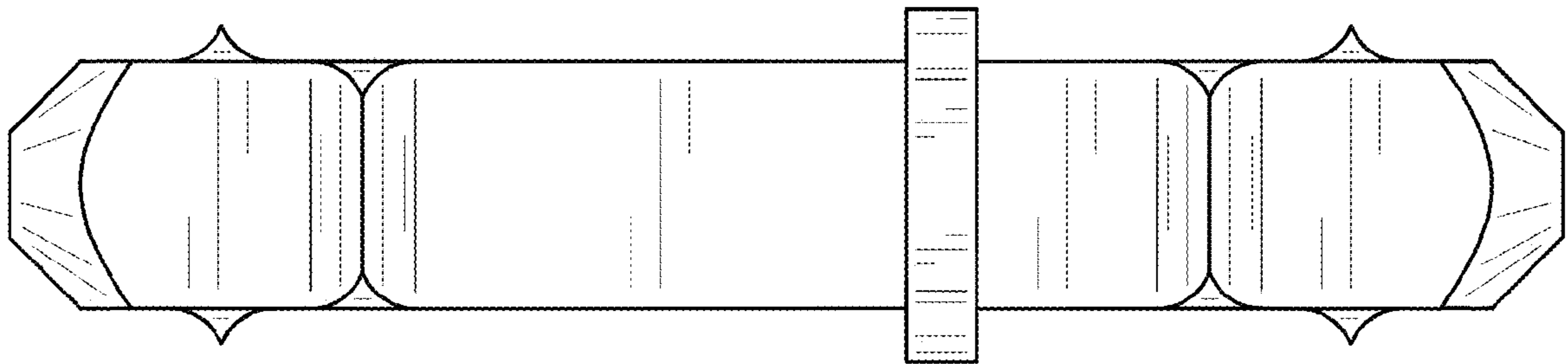


FIG. 2

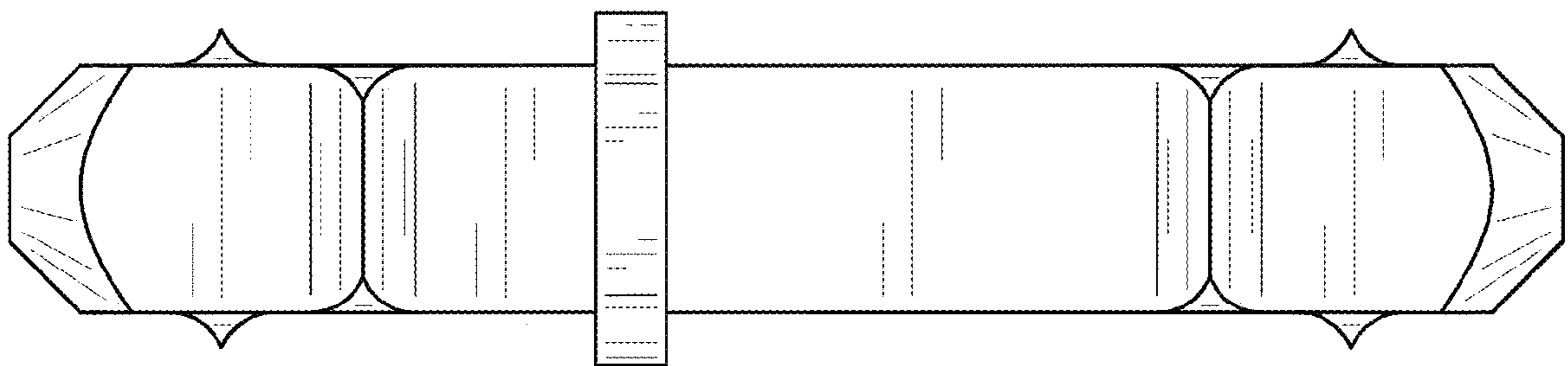


FIG. 3

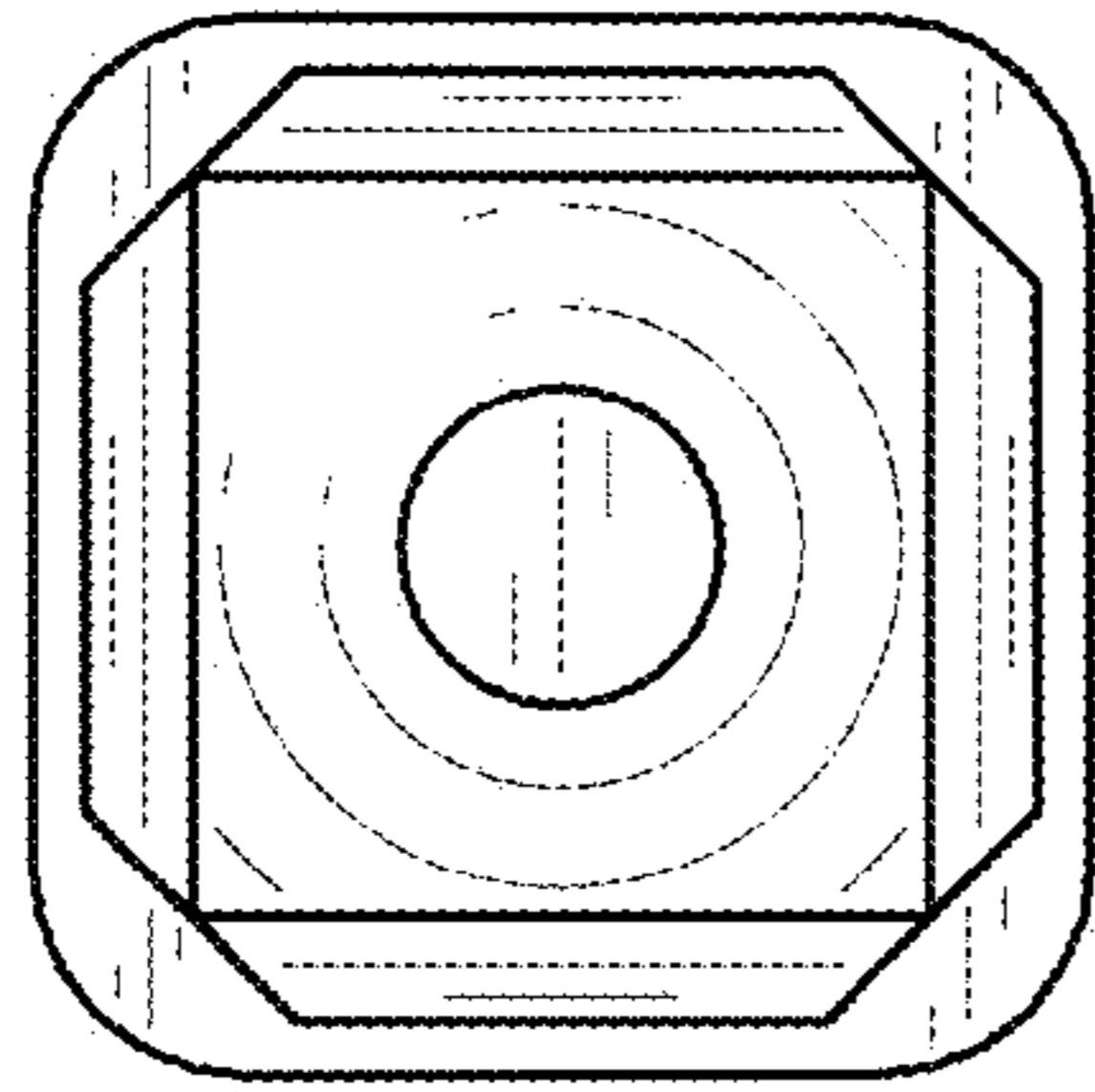


FIG. 4

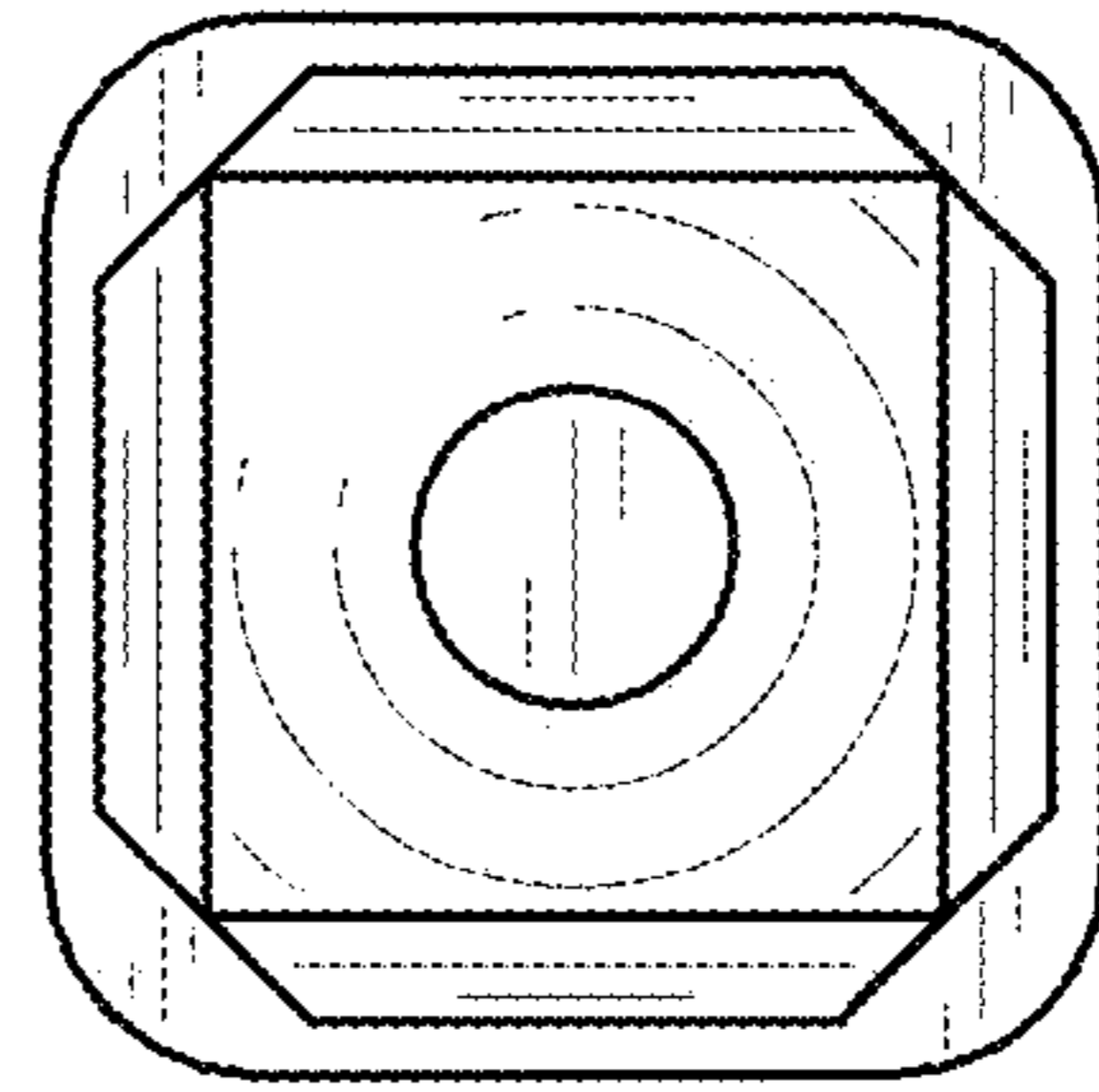


FIG. 5

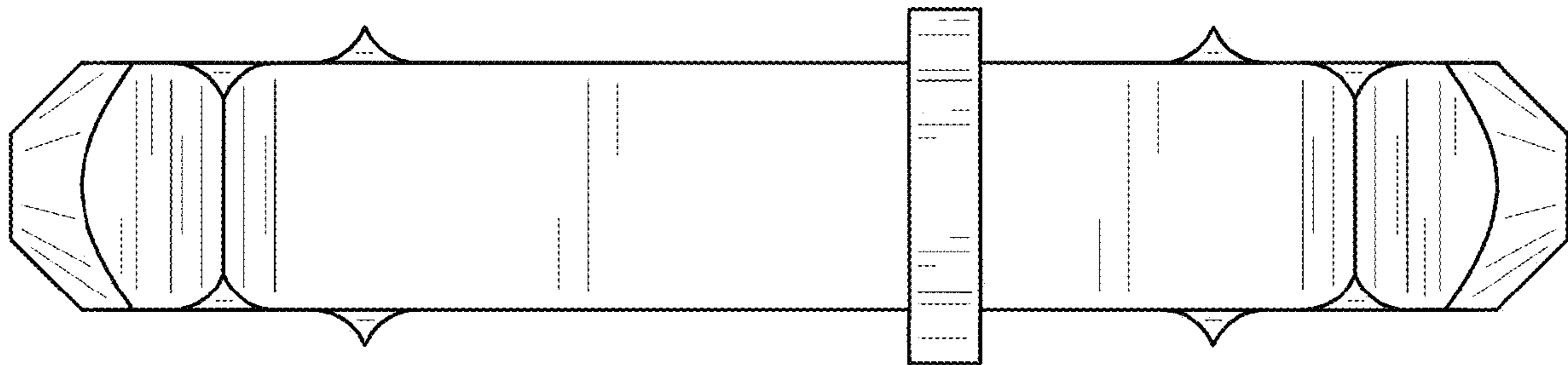


FIG. 6



FIG. 7

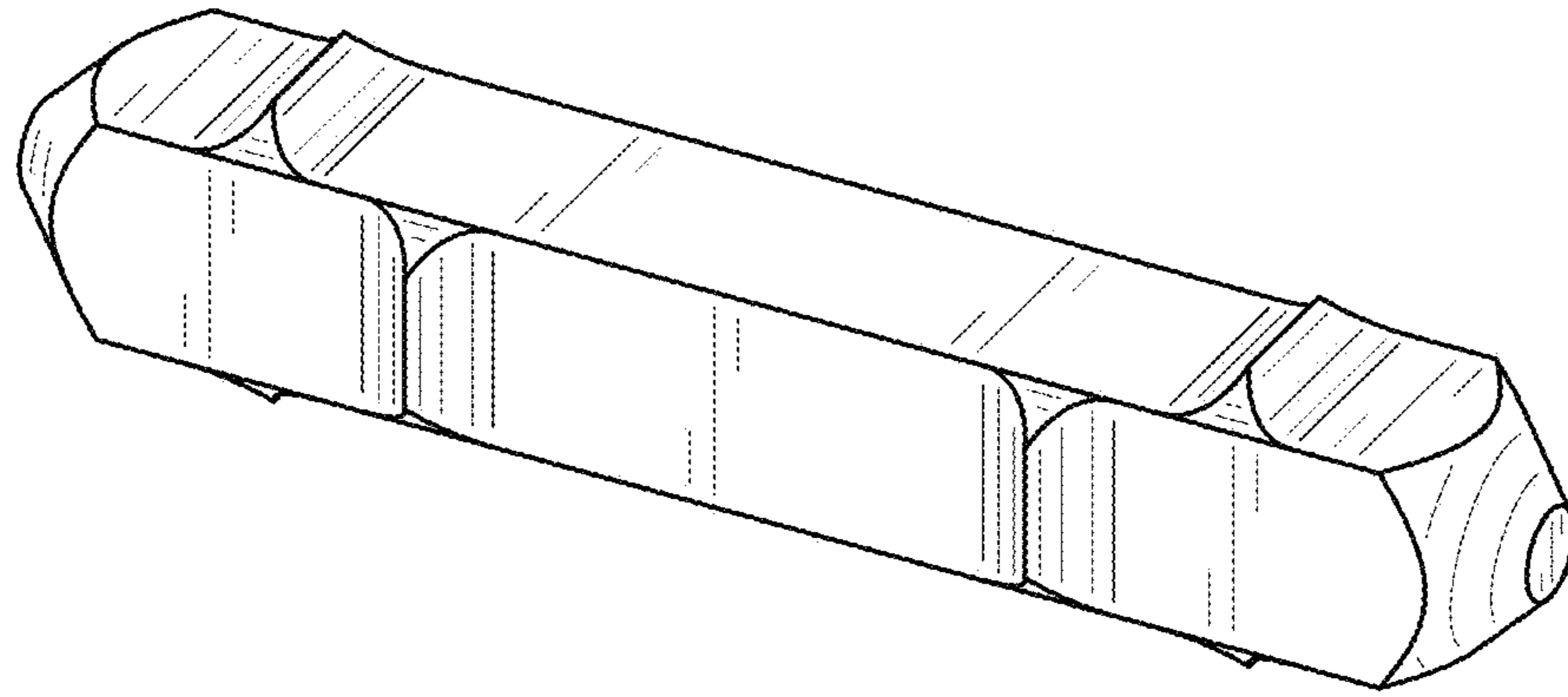


FIG. 8

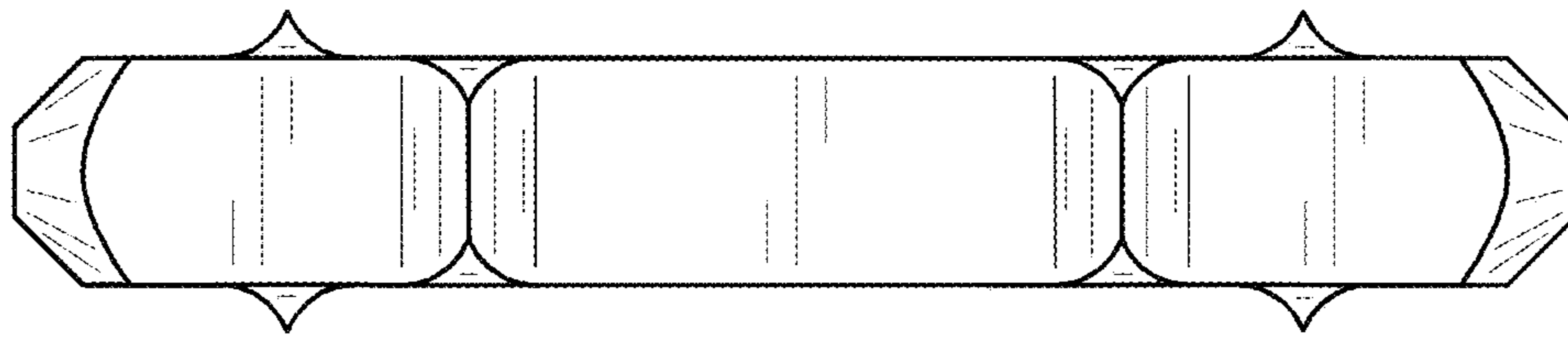


FIG. 9

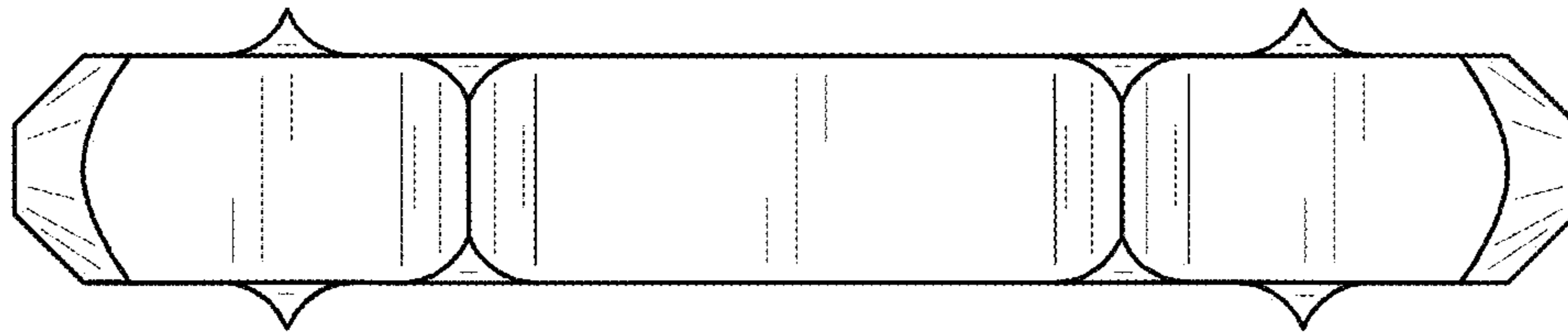


FIG. 10

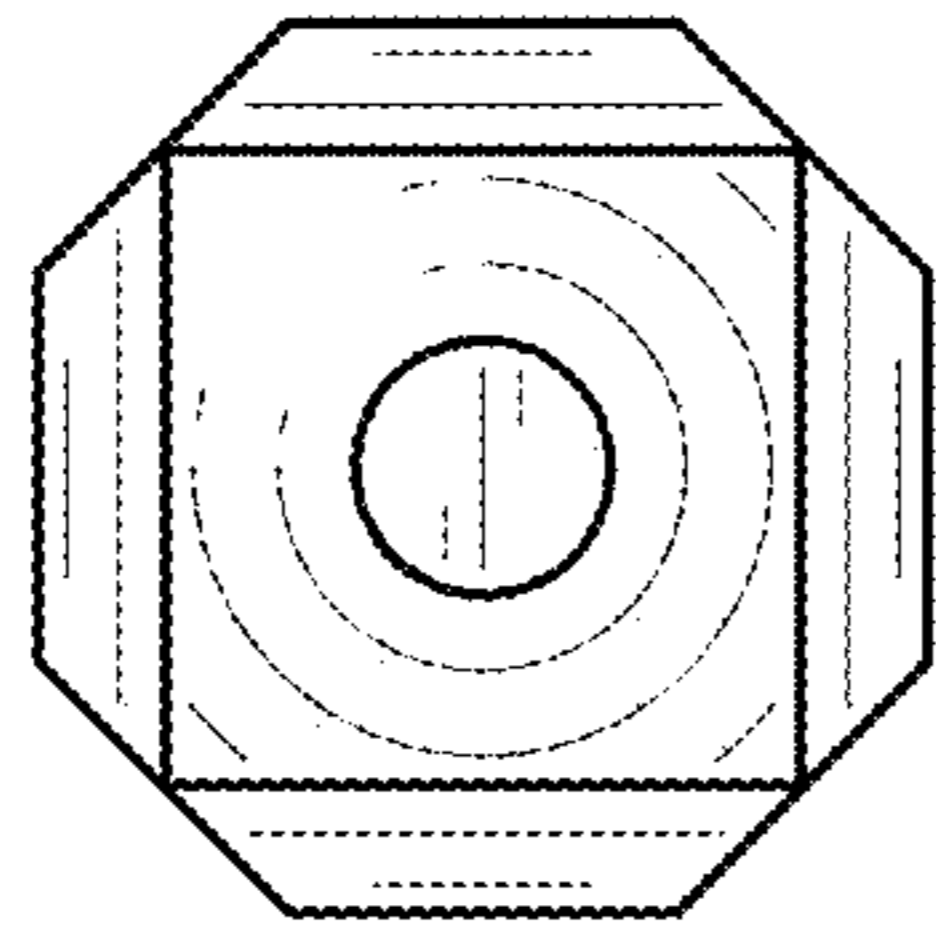


FIG. 11

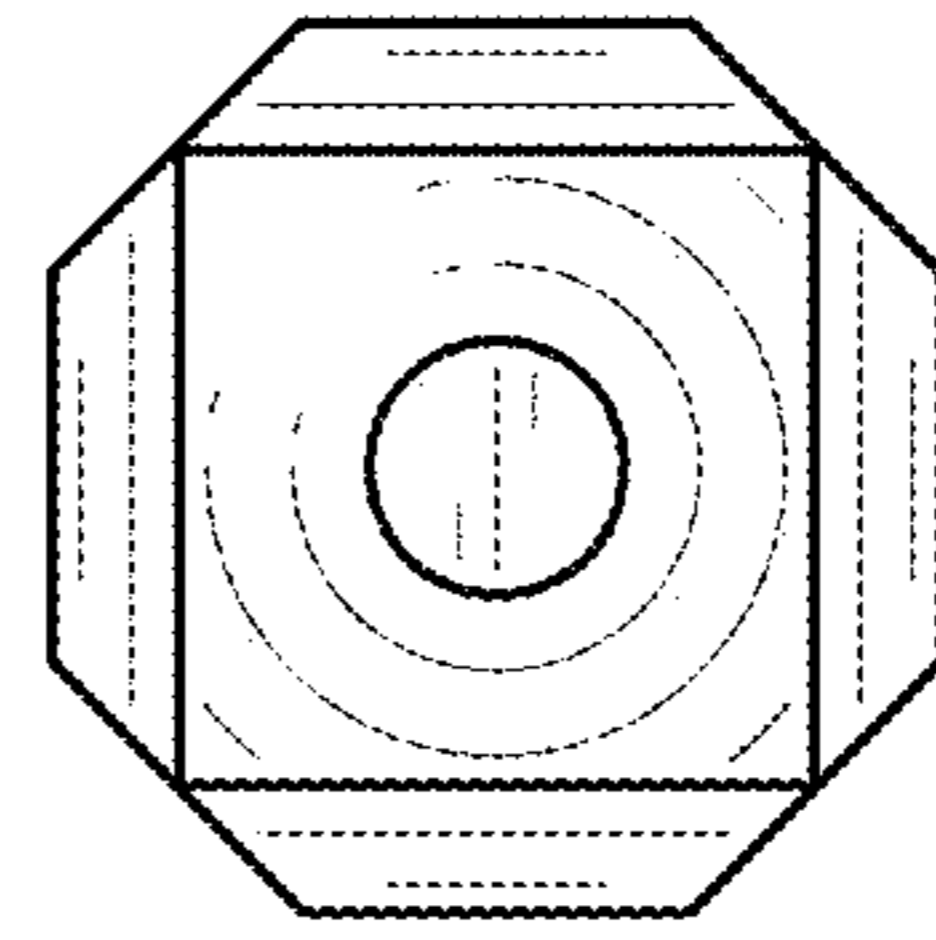


FIG. 12

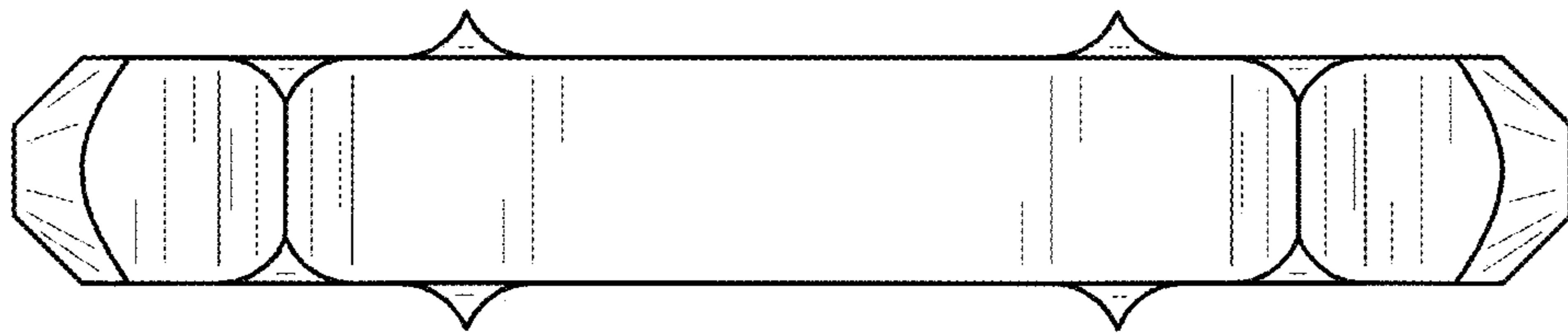


FIG. 13

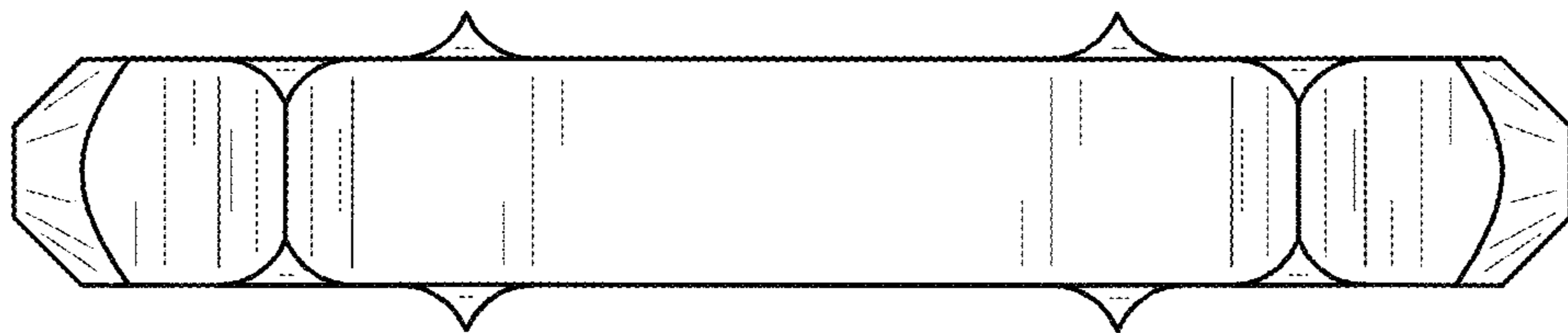


FIG. 14