



US00D989963S

(12) **United States Design Patent**
Robbins

(10) **Patent No.:** **US D989,963 S**
(45) **Date of Patent:** **** Jun. 20, 2023**

- (54) **BONE SCREW**
- (71) Applicant: **Joseph Robbins**, Vestavia Hills, AL (US)
- (72) Inventor: **Joseph Robbins**, Vestavia Hills, AL (US)
- (**) Term: **15 Years**
- (21) Appl. No.: **29/839,669**
- (22) Filed: **May 23, 2022**

Related U.S. Application Data

- (63) Continuation of application No. 29/817,342, filed on Nov. 30, 2021, now Pat. No. Des. 952,855, which is a continuation of application No. 17/017,403, filed on Sep. 10, 2020, now Pat. No. 11,553,953.
- (51) **LOC (14) Cl.** **24-03**
- (52) **U.S. Cl.**
USPC **D24/155**
- (58) **Field of Classification Search**
USPC D24/155
CPC A61B 17/7037; A61B 17/7032; A61B 17/7291; A61B 17/8605; A61B 17/864; A61B 17/8685; A61B 17/70; A61B 17/7011; A61B 17/7035; A61B 17/7082
See application file for complete search history.

(56) **References Cited**

U.S. PATENT DOCUMENTS

- 8,062,270 B2 * 11/2011 Sweeney A61B 17/8819 604/264
- D926,983 S * 8/2021 Corbin D24/155
- 2003/0031528 A1 * 2/2003 Kram F16B 25/0031 411/311
- 2008/0166201 A1 * 7/2008 Desai F16B 41/002 411/160

- 2011/0060373 A1 * 3/2011 Russell A61B 17/8875 606/86 R
- 2011/0217145 A1 * 9/2011 Kochheiser F16B 25/106 29/525.11
- 2012/0083847 A1 * 4/2012 Huebner A61B 17/863 606/291
- 2014/0277193 A1 * 9/2014 Mobasser A61B 17/8625 606/311
- 2015/0052735 A1 * 2/2015 Kochheiser F16B 25/0084 29/525.11
- 2015/0230844 A1 * 8/2015 Ellis A61B 17/8635 606/316
- 2016/0015483 A1 * 1/2016 Kumar A61C 8/0068 606/301
- 2018/0146987 A1 * 5/2018 Corbin A61B 17/8625
- 2019/0219090 A1 * 7/2019 Stager F16B 25/106

* cited by examiner

Primary Examiner — Charles D Hanson

(74) *Attorney, Agent, or Firm* — C. Brandon Browning; Maynard Nexsen PC

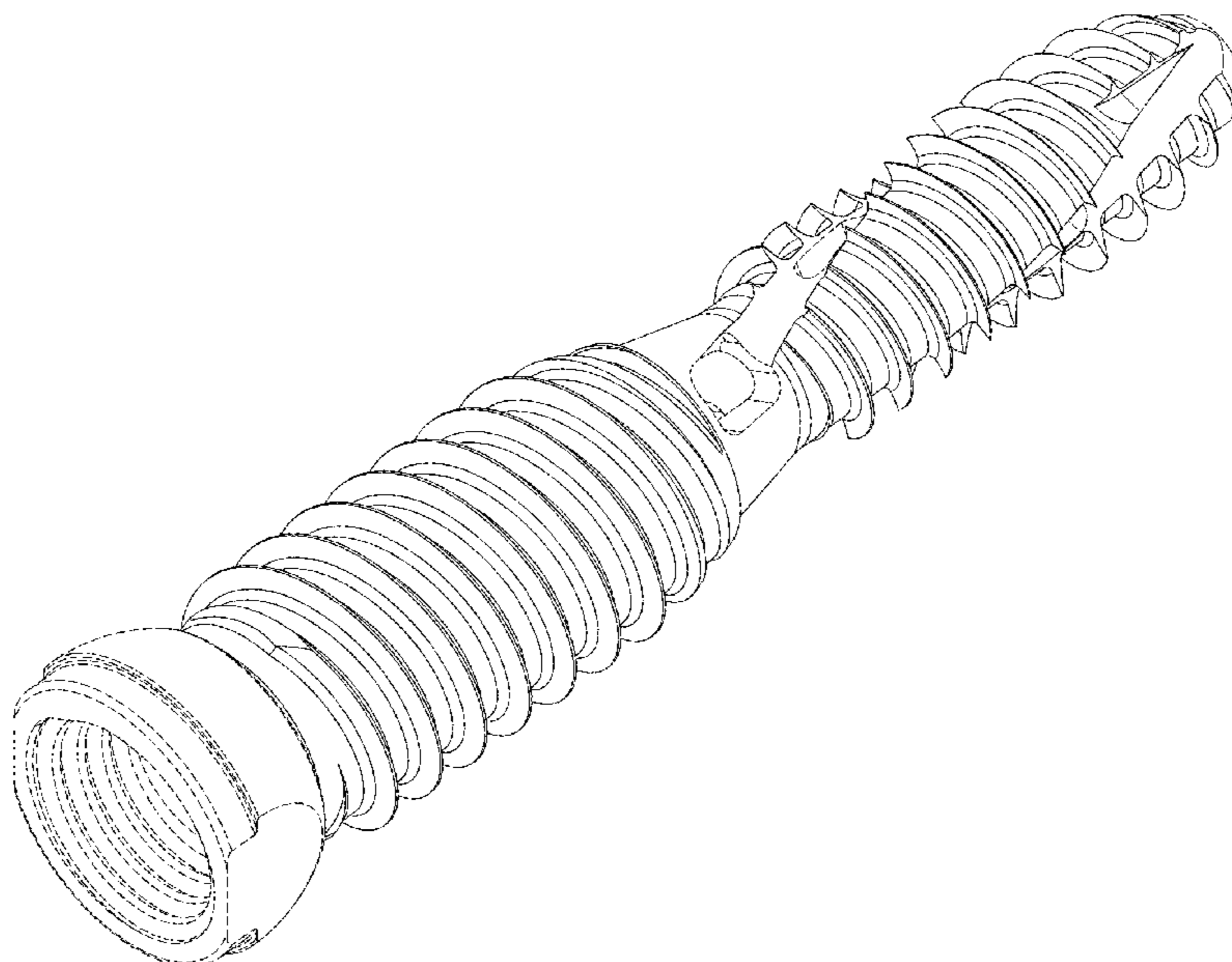
(57) **CLAIM**

The ornamental design for a bone screw, as shown and described herein.

DESCRIPTION

FIG. 1 is a perspective view of a front side of the bone screw showing my new design.
 FIG. 2 is a perspective view of a rear side thereof.
 FIG. 3 is an elevational view of the front side thereof.
 FIG. 4 is an elevational view of the rear side thereof.
 FIG. 5 is an elevational view of a first lateral side thereof.
 FIG. 6 is an elevational view of a second lateral side thereof.
 FIG. 7 is top plan view thereof; and,
 FIG. 8 is a bottom plan view thereof.
 The broken line portions of the disclosure are for illustrative purposes only and form no part of the claimed design.

1 Claim, 5 Drawing Sheets



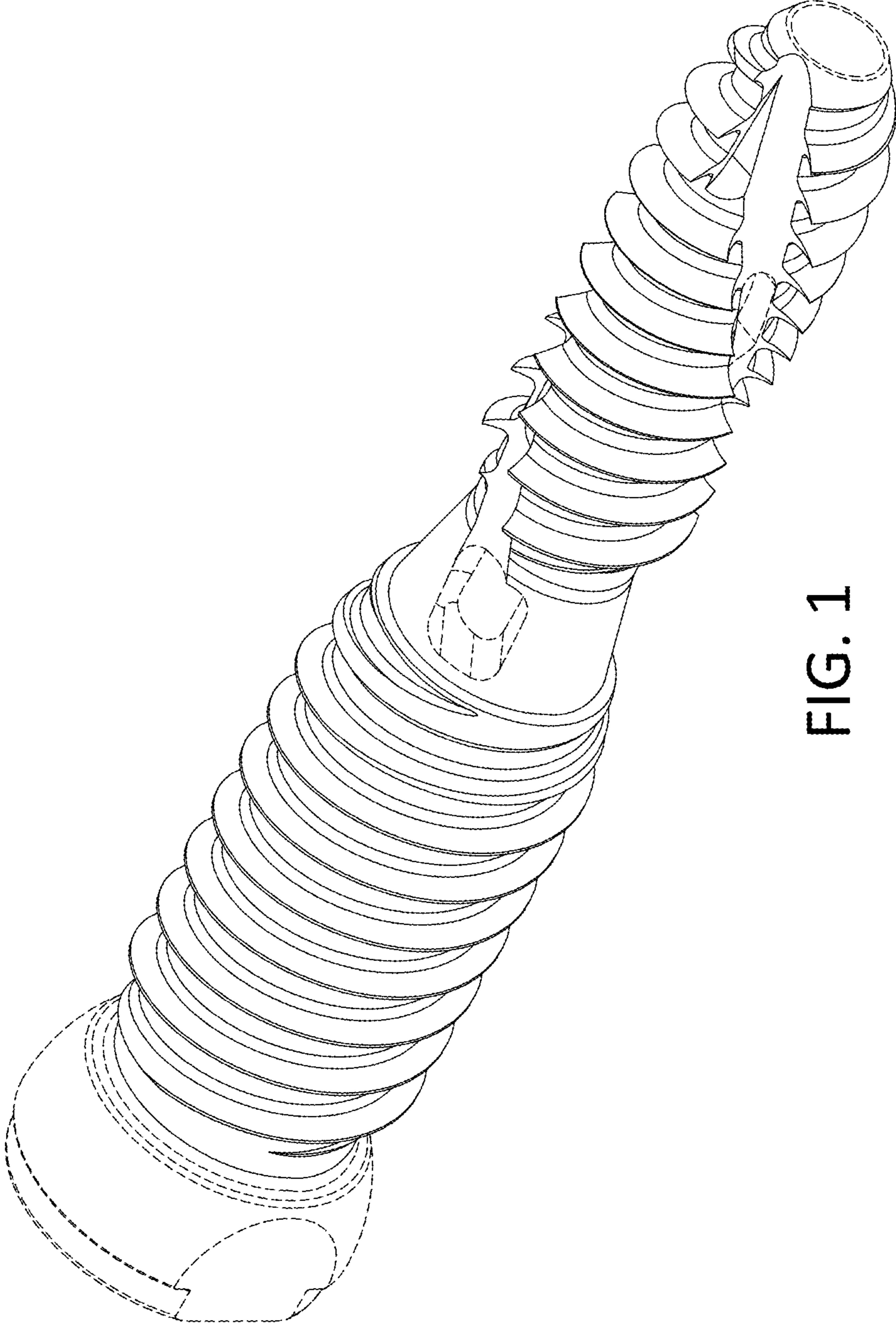


FIG. 1

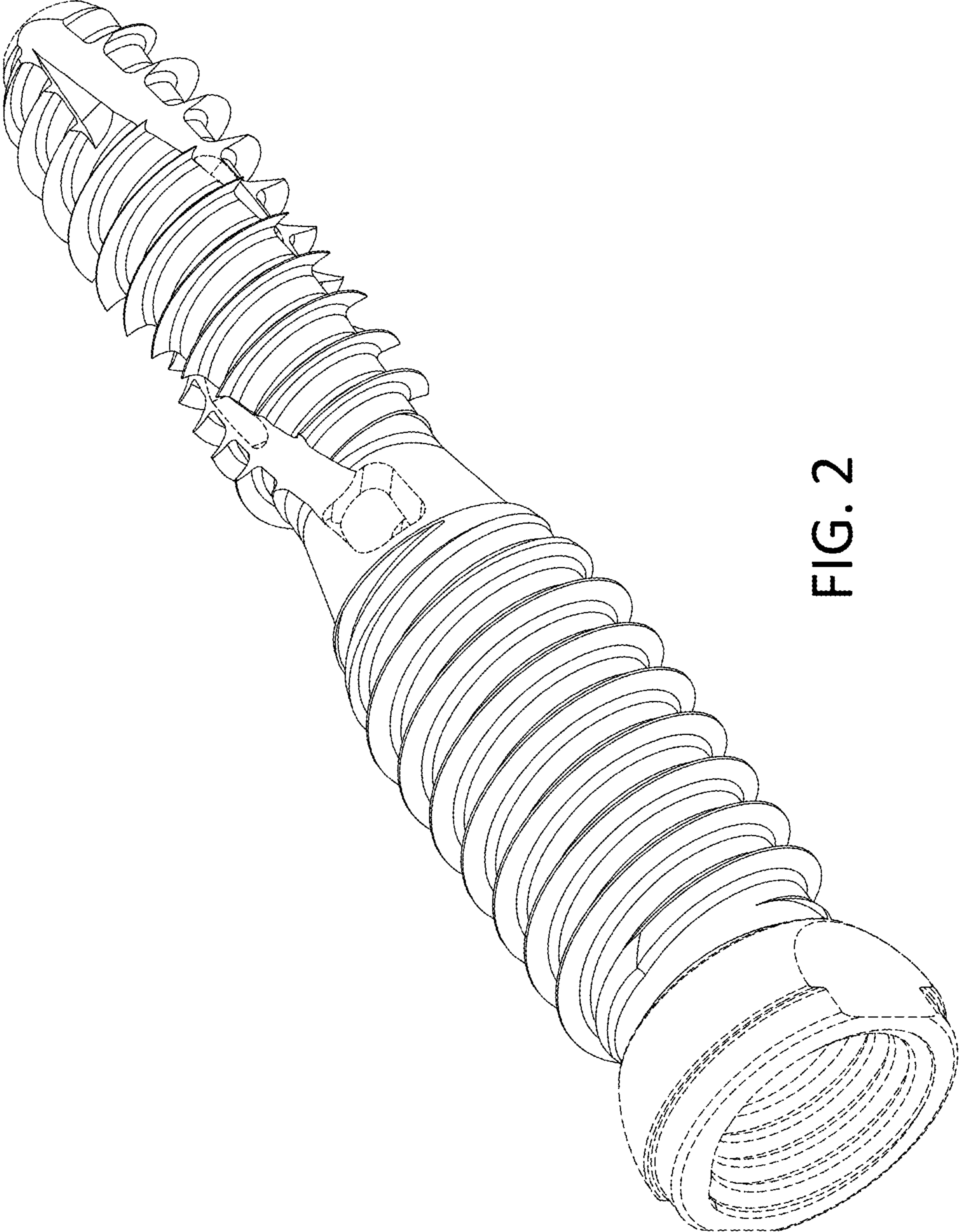


FIG. 2

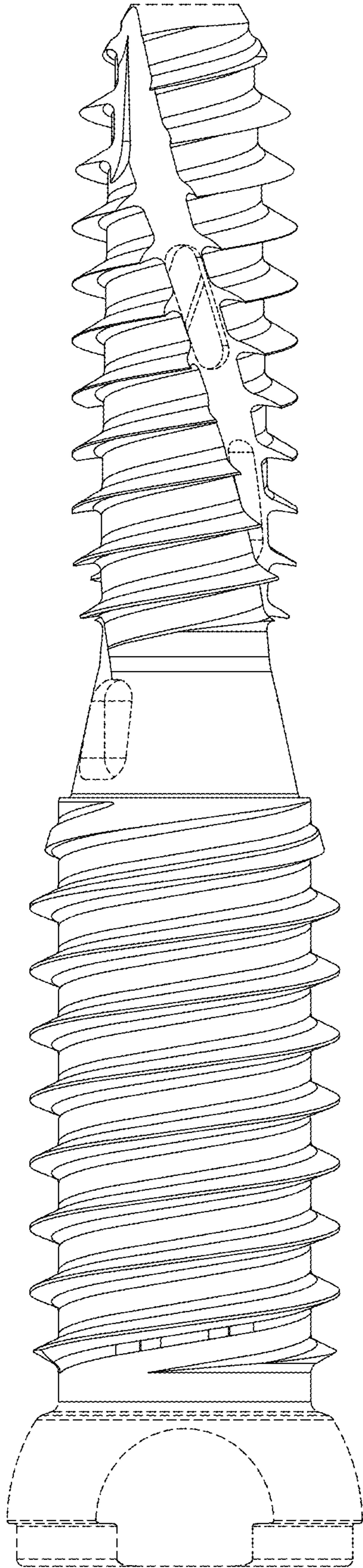


FIG. 3

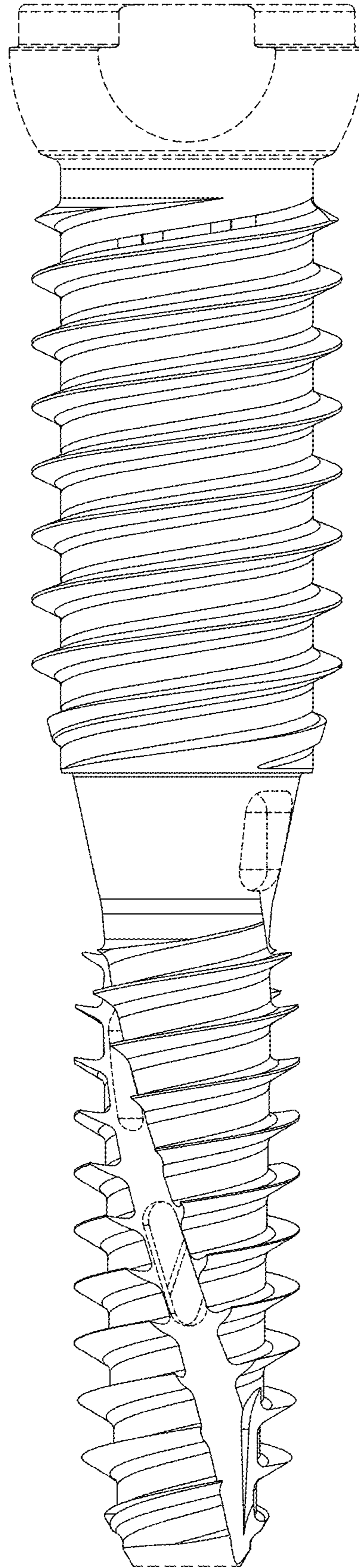


FIG. 4

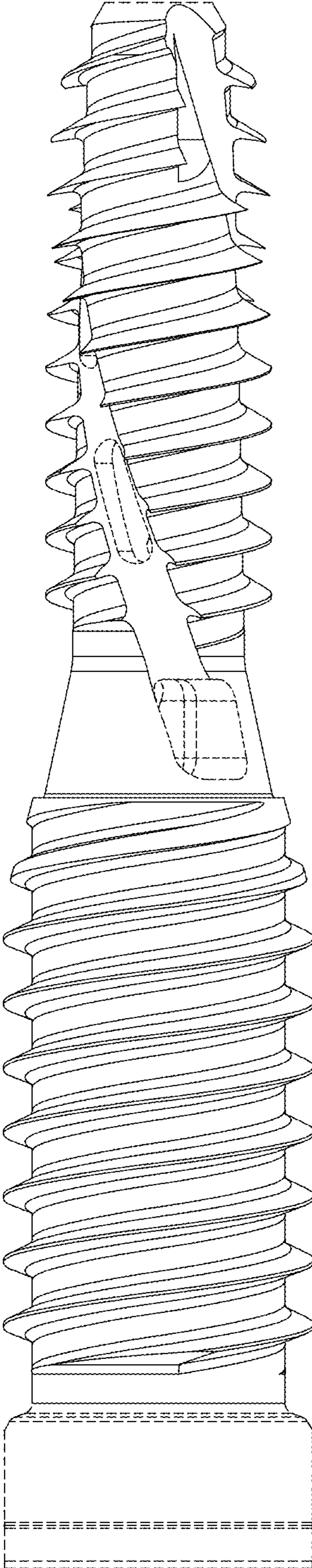


FIG. 5

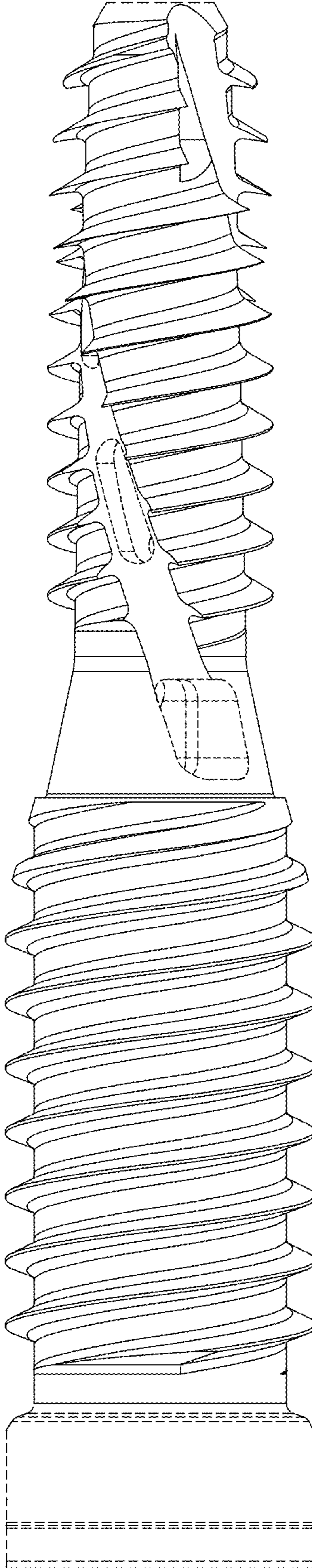


FIG. 6

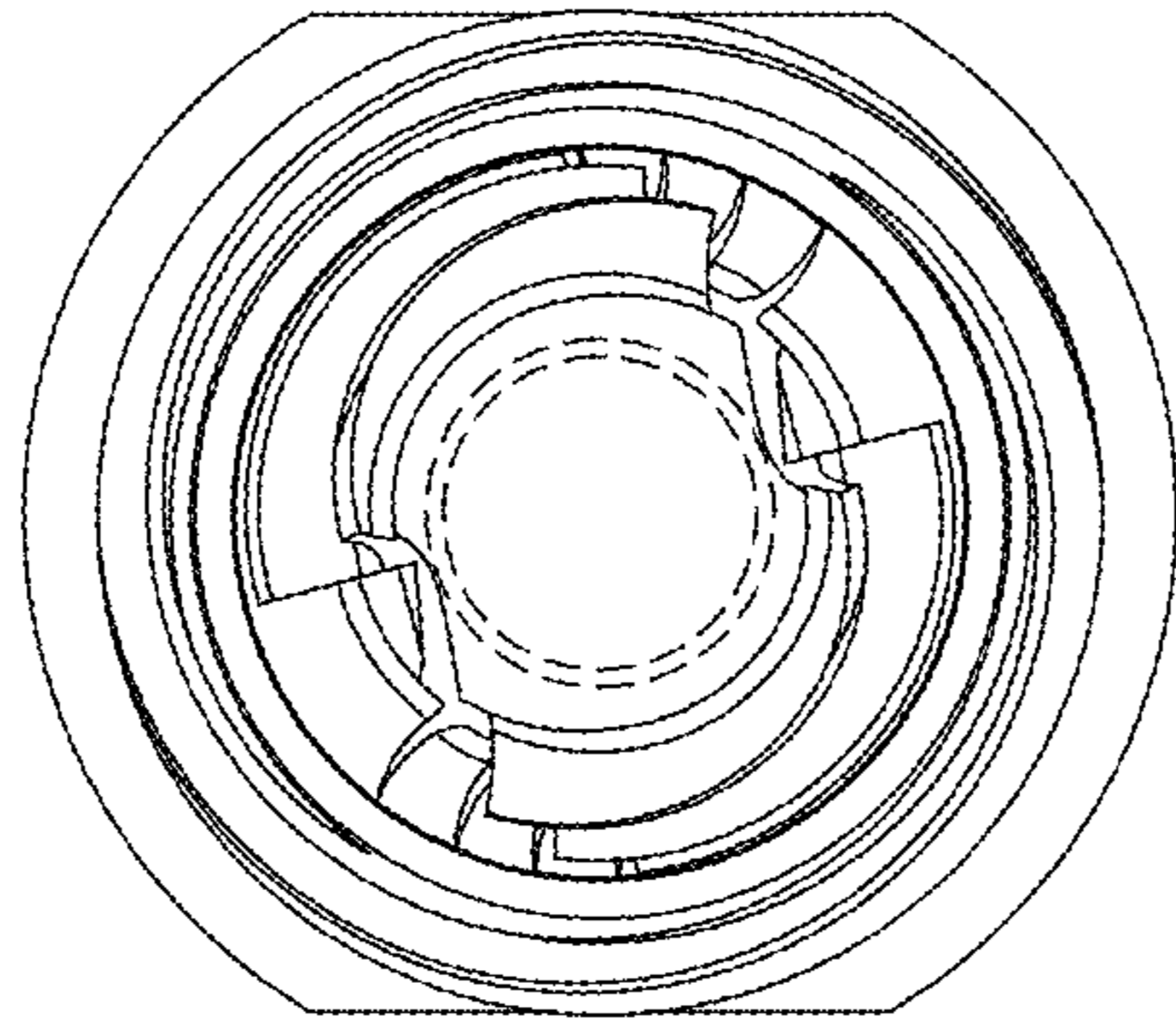


FIG. 8

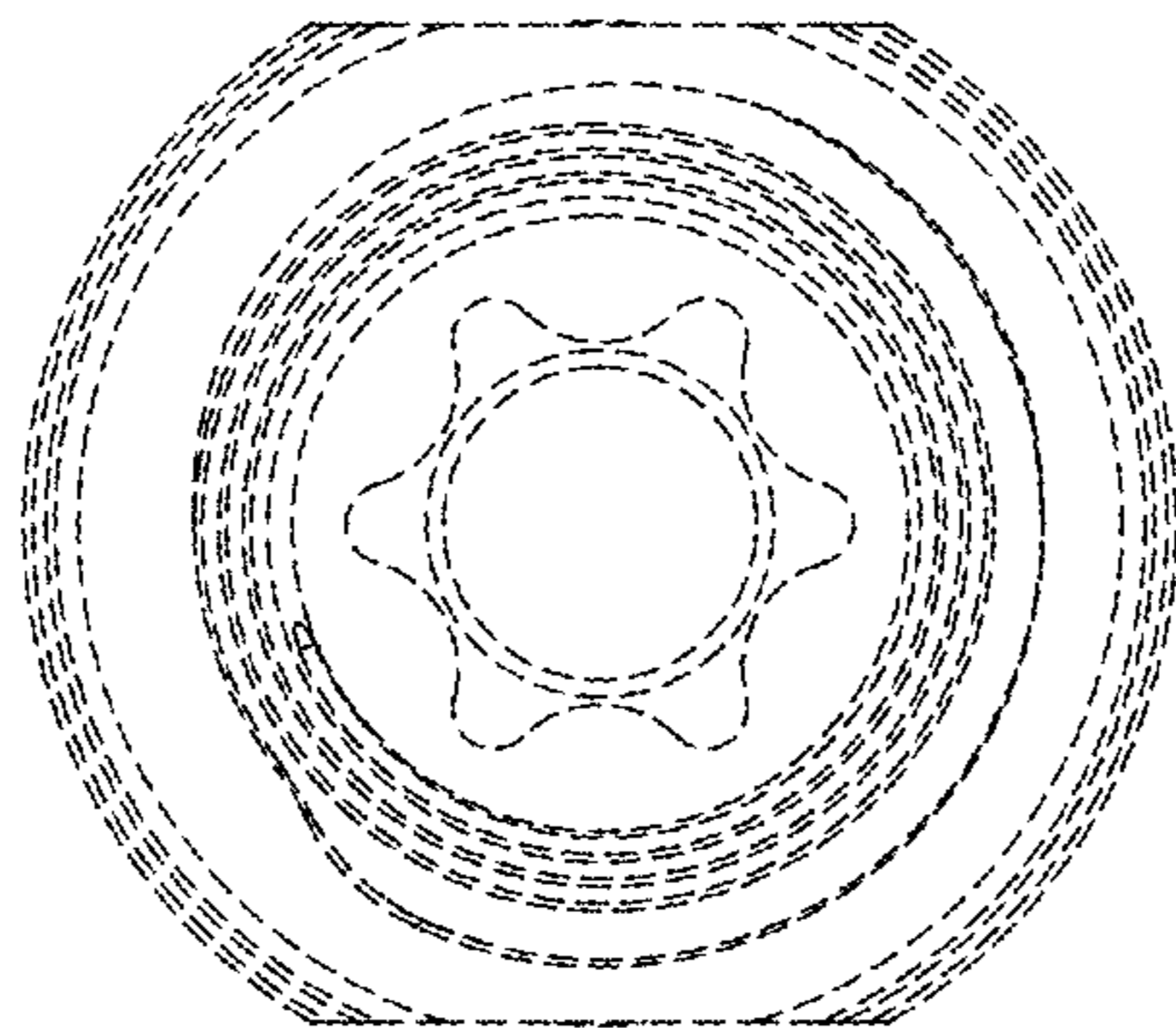


FIG. 7