



US00D989960S

(12) **United States Design Patent** (10) **Patent No.:** **US D989,960 S**
Park et al. (45) **Date of Patent:** **** Jun. 20, 2023**

(54) **ENDOSCOPE CAP**

(56) **References Cited**

(71) Applicants: **THE ASAN FOUNDATION**, Seoul (KR); **UNIVERSITY OF ULSAN FOUNDATION FOR INDUSTRY COOPERATION**, Ulsan (KR)

U.S. PATENT DOCUMENTS

D274,260	S	*	6/1984	Wiedel	D24/136
D725,263	S	*	3/2015	Honma	D24/138
D757,929	S	*	5/2016	Kerber	D24/127
D877,323	S	*	3/2020	Reedy-Goss	D24/127
D966,508	S	*	10/2022	Sun	D24/137
D967,419	S	*	10/2022	Temple	D24/137
2008/0132759	A1	*	6/2008	Miyamoto	A61B 18/1492 606/41

(72) Inventors: **Do Hyun Park**, Seoul (KR); **Jin Hee Kwon**, Seoul (KR)

(**) Term: **15 Years**

* cited by examiner

(21) Appl. No.: **35/513,698**

Primary Examiner — Eliza Z Harvey

(22) Filed: **Aug. 20, 2021**

(74) *Attorney, Agent, or Firm* — Sughrue Mion, PLLC

(80) **Hague Agreement Data**

(57) **CLAIM**

Int. Filing Date: **Aug. 20, 2021**
Int. Reg. No.: **DM/216861**
Int. Reg. Date: **Aug. 20, 2021**
Int. Reg. Pub. Date: **Feb. 25, 2022**

The ornamental design for an endoscope cap, as shown and described.

(30) **Foreign Application Priority Data**

DESCRIPTION

Mar. 25, 2021 (KR) 30-2021-0014483

- 1. Endoscope cap
- 1.1 : Perspective
- 1.2 : Front
- 1.3 : Back
- 1.4 : Left
- 1.5 : Right
- 1.6 : Top
- 1.7 : Bottom

(51) **LOC (14) Cl.** **24-02**

(52) **U.S. Cl.**
USPC **D24/138**

(58) **Field of Classification Search**
USPC D24/108, 113, 127, 138, 137, 133, 147, D24/144, 135

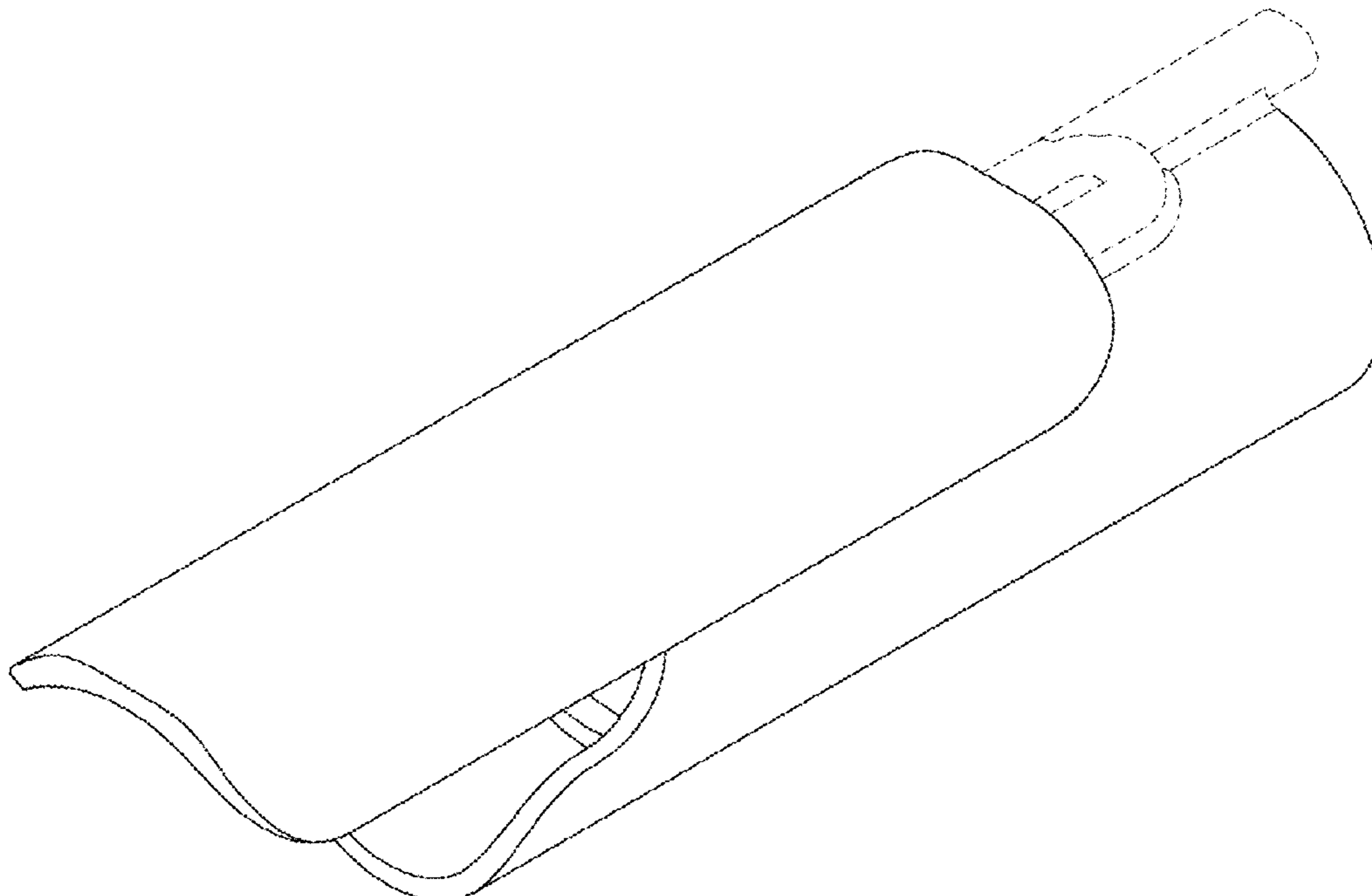
The ornamental design for an endoscope cap, as shown and described; the dashed broken lines in the drawings show portions of the endoscope cap that form no part of the claimed design.

CPC . A61B 1/00101; A61B 1/00137; A61B 1/018; A61B 1/00089; A61B 1/00098; A61B 2017/00296; A61B 1/00087

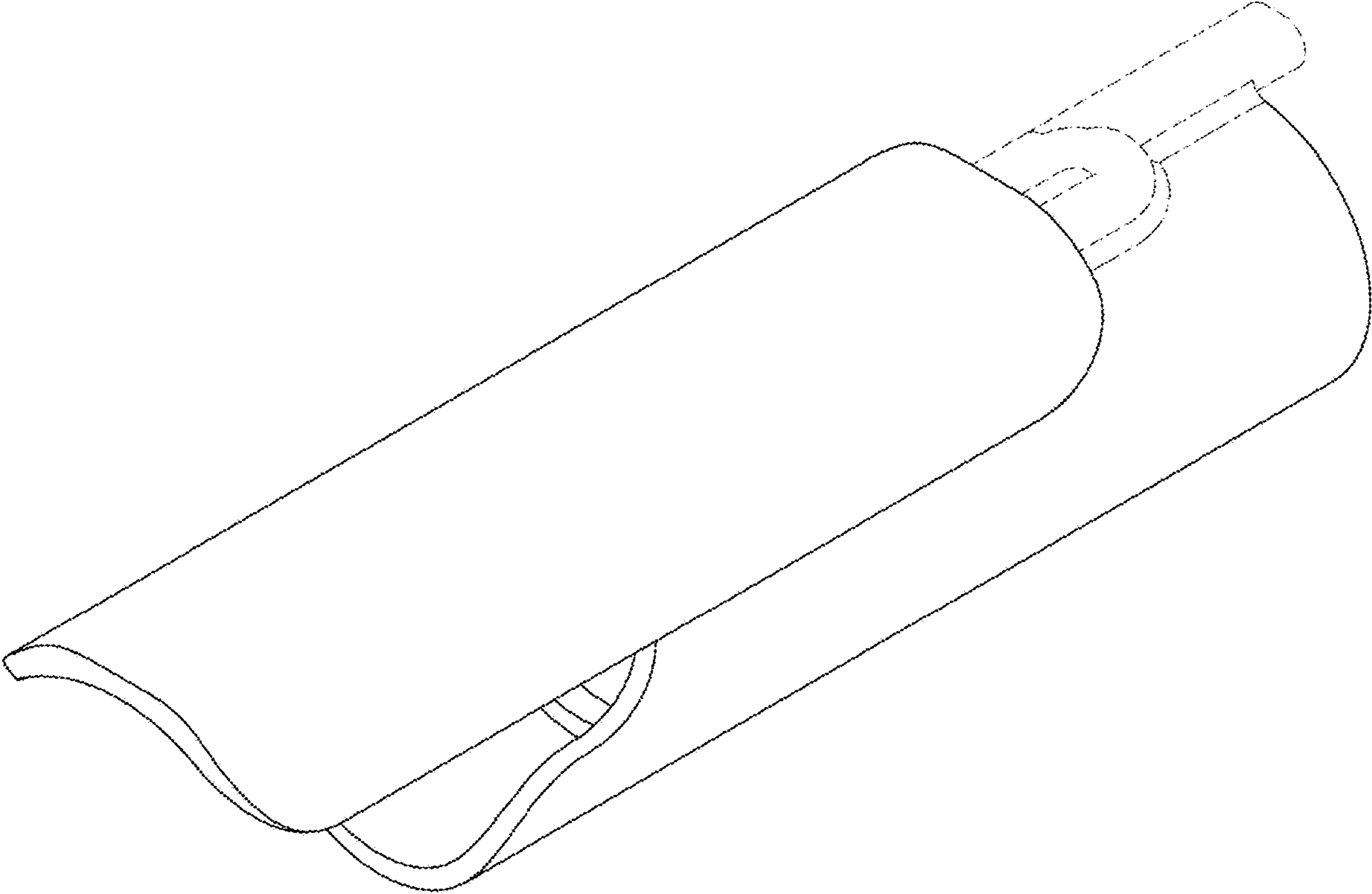
The dash dot lines disclose the boundary of the claim and form no part of the claimed design.

See application file for complete search history.

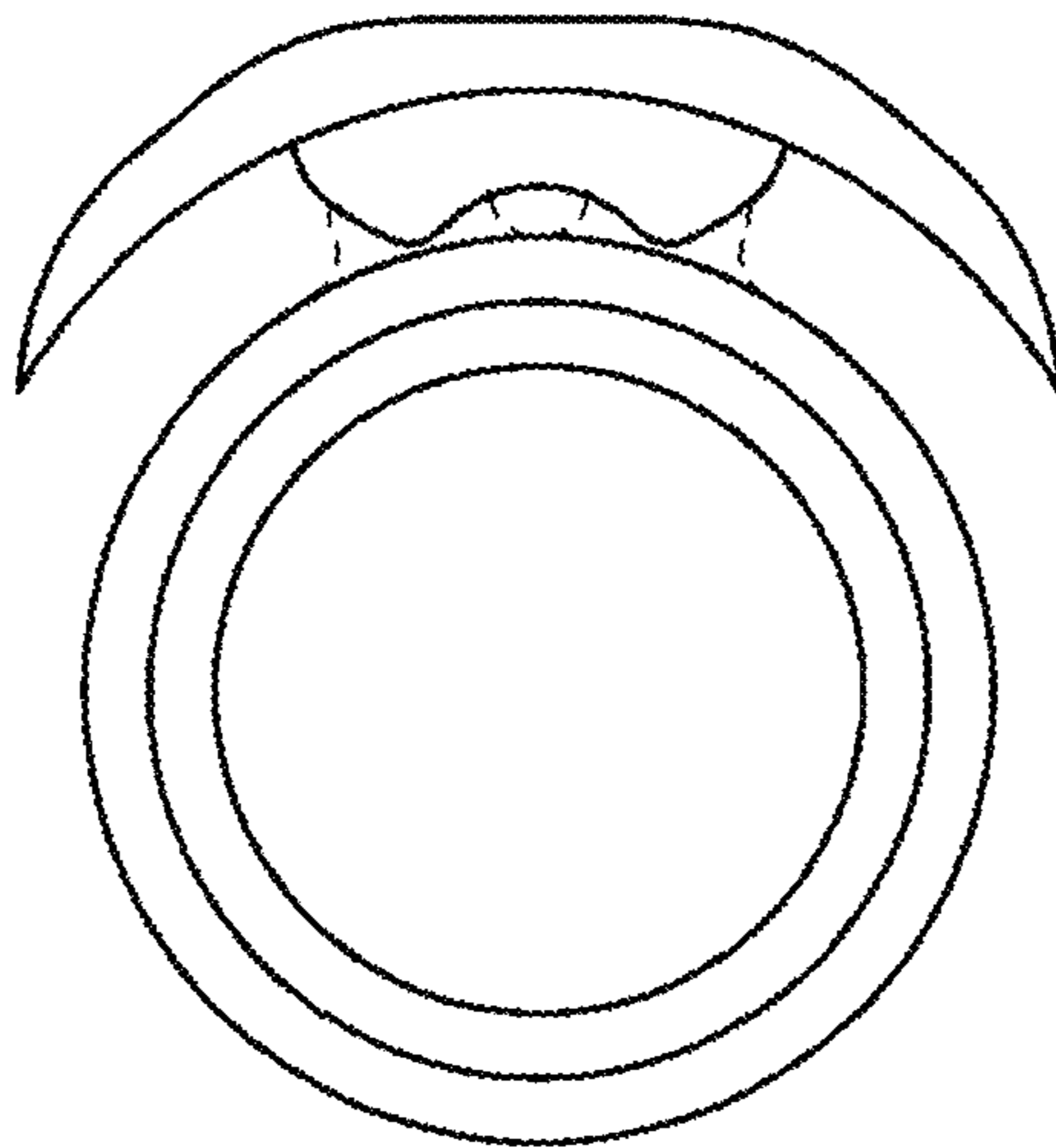
1 Claim, 7 Drawing Sheets



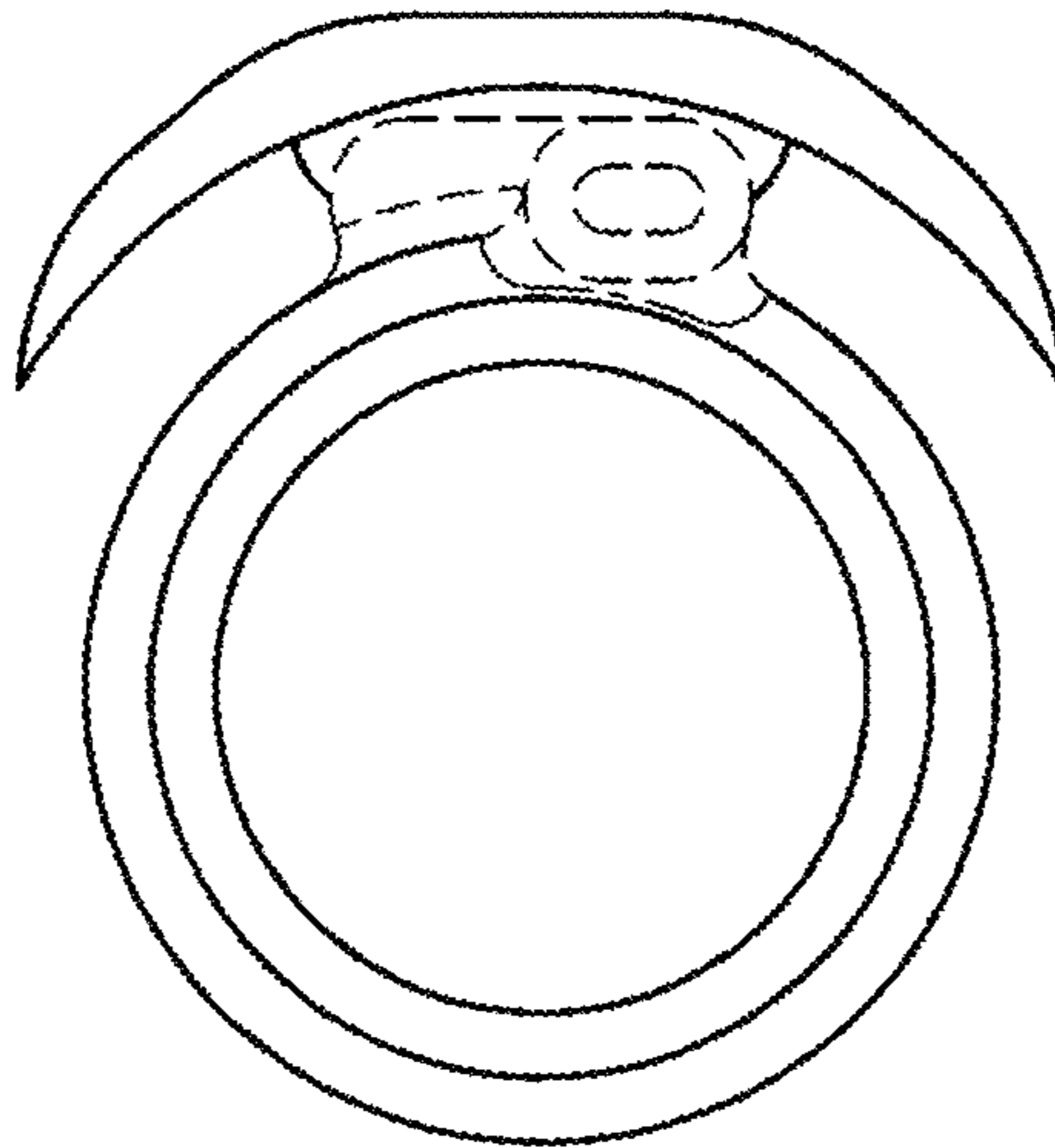
1.1



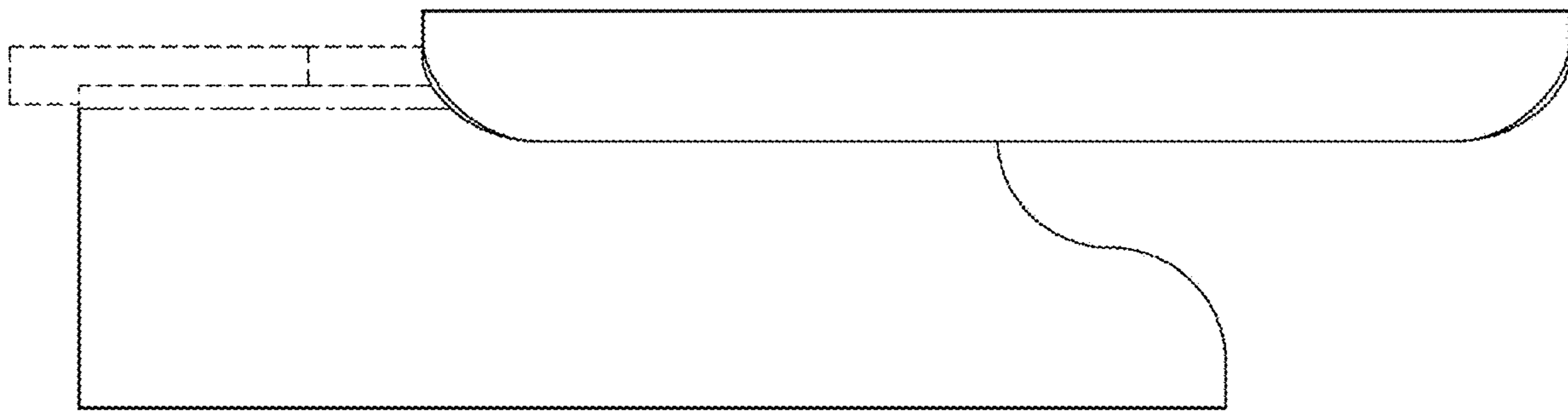
1.2



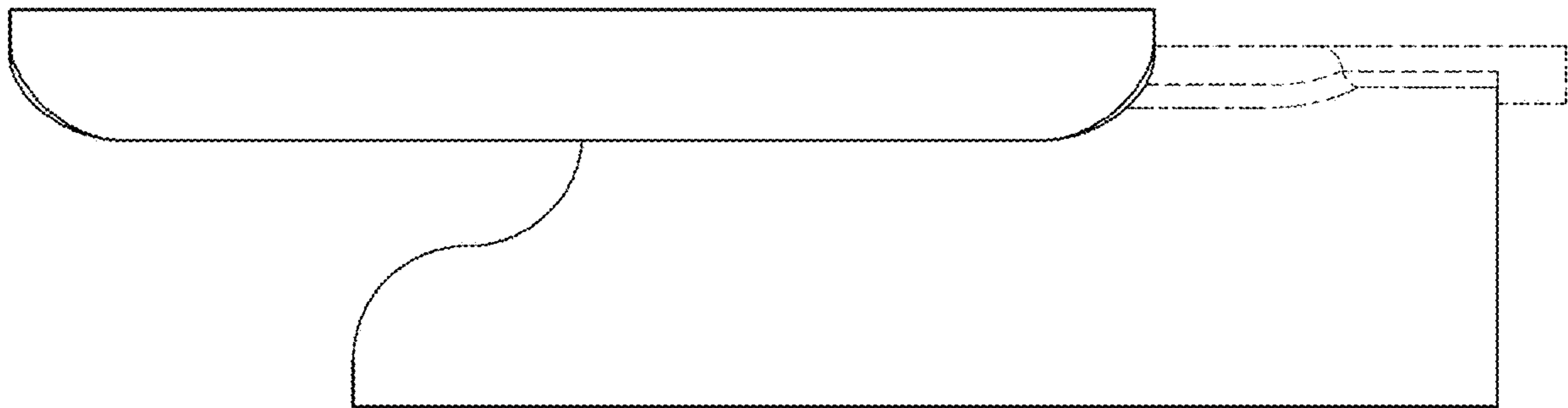
1.3



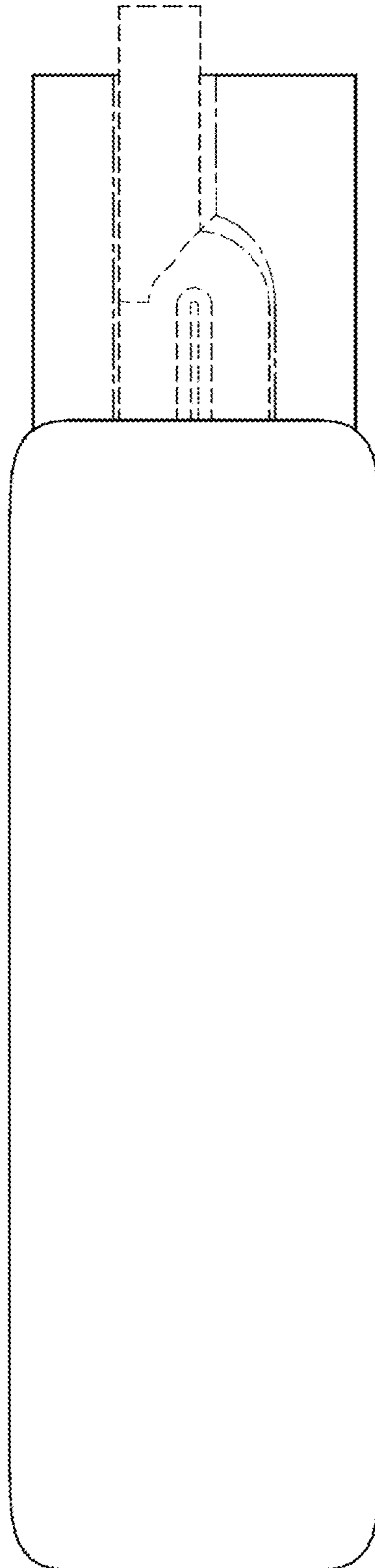
1.4



1.5



1.6



1.7

