



US00D989949S

(12) **United States Design Patent** (10) **Patent No.:** **US D989,949 S**
Xiao (45) **Date of Patent:** **** Jun. 20, 2023**

(54) **DIVING MASK**

FOREIGN PATENT DOCUMENTS

(71) Applicant: **Wenzi Xiao**, Guangdong (CN)

CN 107434014 A 5/2017
CN 305397837 * 10/2019

(72) Inventor: **Wenzi Xiao**, Guangdong (CN)

(Continued)

(**) Term: **15 Years**

OTHER PUBLICATIONS

(21) Appl. No.: **29/755,114**

Full Face Snorkel Mask, May 26, 2020, amazon.com [online], [site visited Jul. 21, 2022], Available from internet, URL: <https://www.amazon.com/Zenoplige-Breathing-Panoramic-Detachable-Snorkeling/dp/B0895JG1RK/ref=asc_df_B0895JG1RK/?tag=hyprod-20&linkCode=df0&hvadid=459705690702&hvpos=&hvnetw=g&hvrnd=2651844805282575432&hvpon=&hvptwo=&hvqmt=&hvdev=c&hvdvcmdl=&hvlocint=&hvlocphy=1027019&hvtargid=pla-1136488094832&th=1&psc=1 (Year: 2020).*

(22) Filed: **Oct. 16, 2020**

(Continued)

Related U.S. Application Data

(63) Continuation of application No. 16/031,131, filed on Jul. 10, 2018, now Pat. No. 10,807,689, and a
(Continued)

Primary Examiner — Wendy L Arminio

(51) **LOC (14) Cl.** **29-02**

Assistant Examiner — Maheen Khurshid

(52) **U.S. Cl.**
USPC **D24/110.2**; D24/110.4

(74) *Attorney, Agent, or Firm* — Jeffrey G. Degenfelder; Carstens, Allen & Gourley, LLP

(58) **Field of Classification Search**
USPC D24/110–110.6, 108, 162, 164; D29/102, D29/105–108, 110

(57) **CLAIM**

The ornamental design for a diving mask, as shown and described.

CPC A61M 16/00; A62B 7/00; A62B 18/00; A62B 18/02; A62B 18/08; A62B 18/082; A62B 18/025; A62B 18/084; A62B 18/086; A62B 18/01; A62B 18/006; A62B 18/04; A62B 23/00; A62B 9/02; A62B 23/02; A62B 23/025; A62B 7/04; A62B 7/10; A62B 27/00; A62B 27/12; A62B 9/003; A62B 9/04; A41D 13/11; A41D 13/1107;

DESCRIPTION

FIG. 1 is a front perspective view of a diving mask in accordance with my new design; shown in a position of use with a head strap and breathing apparatus (both drawn in broken lines);
FIG. 2 is a rear perspective view of the diving mask of FIG. 1 shown with the head strap and breathing apparatus removed;
FIG. 3 is a front elevation view thereof;
FIG. 4 is a rear elevation view thereof;
FIG. 5 is a right side elevation view thereof, the opposite left side view being a mirror image thereof;
FIG. 6 is a top view thereof; and,
FIG. 7 is a bottom view thereof.

(Continued)

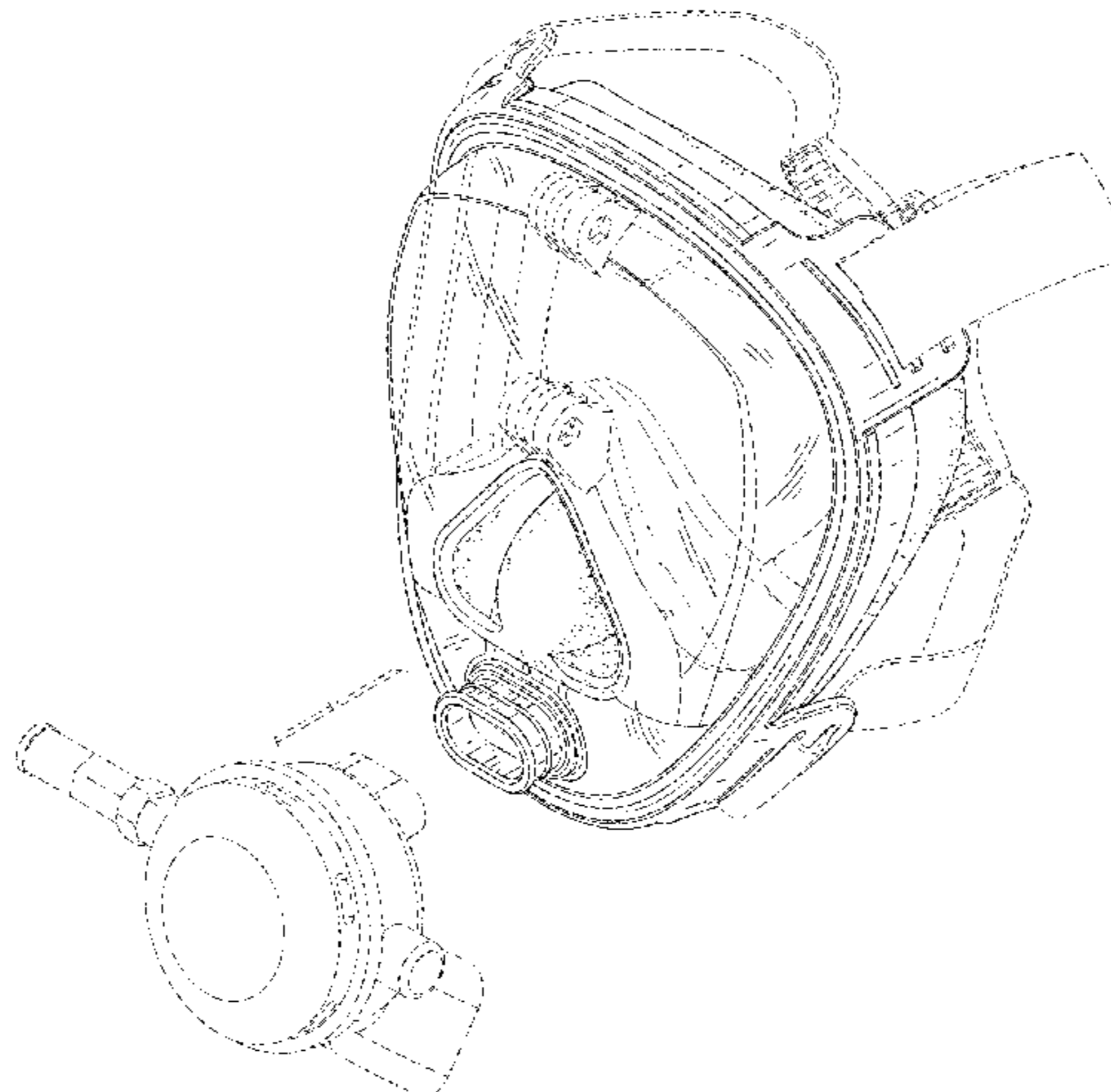
The broken lines in FIG. 1 illustrating a head strap and breathing apparatus depict environment and form no part of

(56) **References Cited**

U.S. PATENT DOCUMENTS

2,818,067 A 12/1957 Ribikoff et al.
D249,368 S * 9/1978 Watkins, Jr. D24/110.2
(Continued)

(Continued)



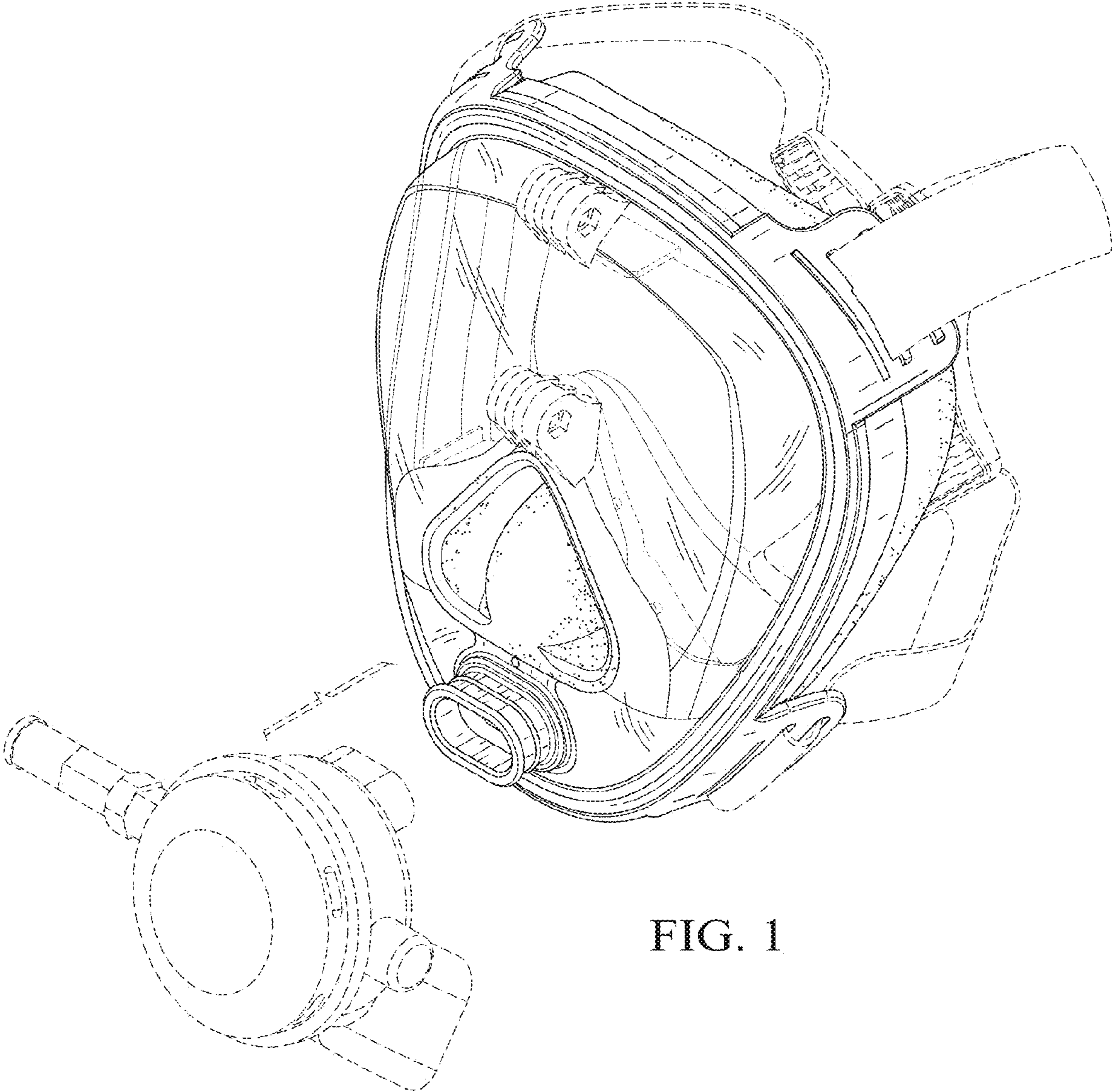


FIG. 1

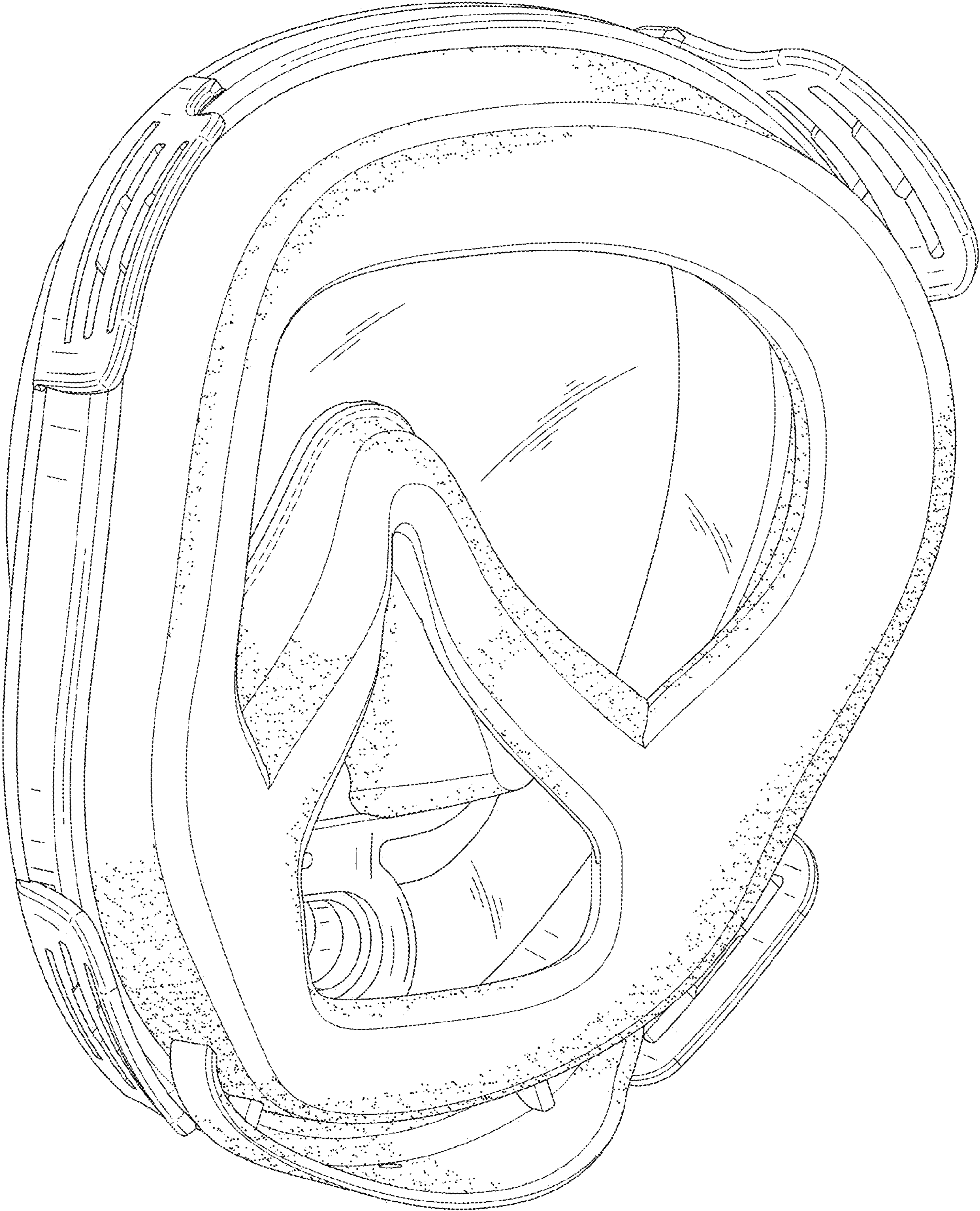


FIG. 2

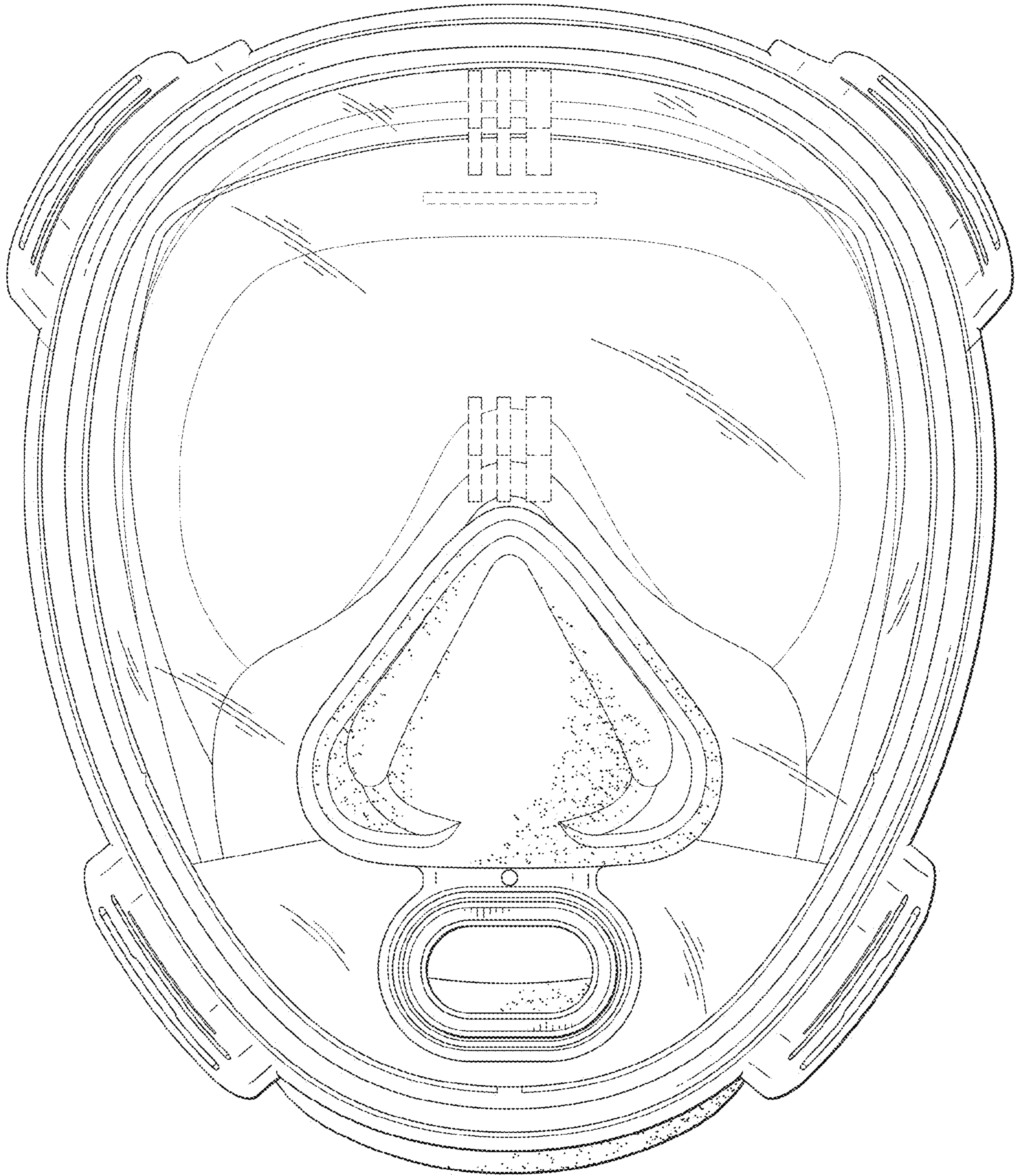


FIG. 3

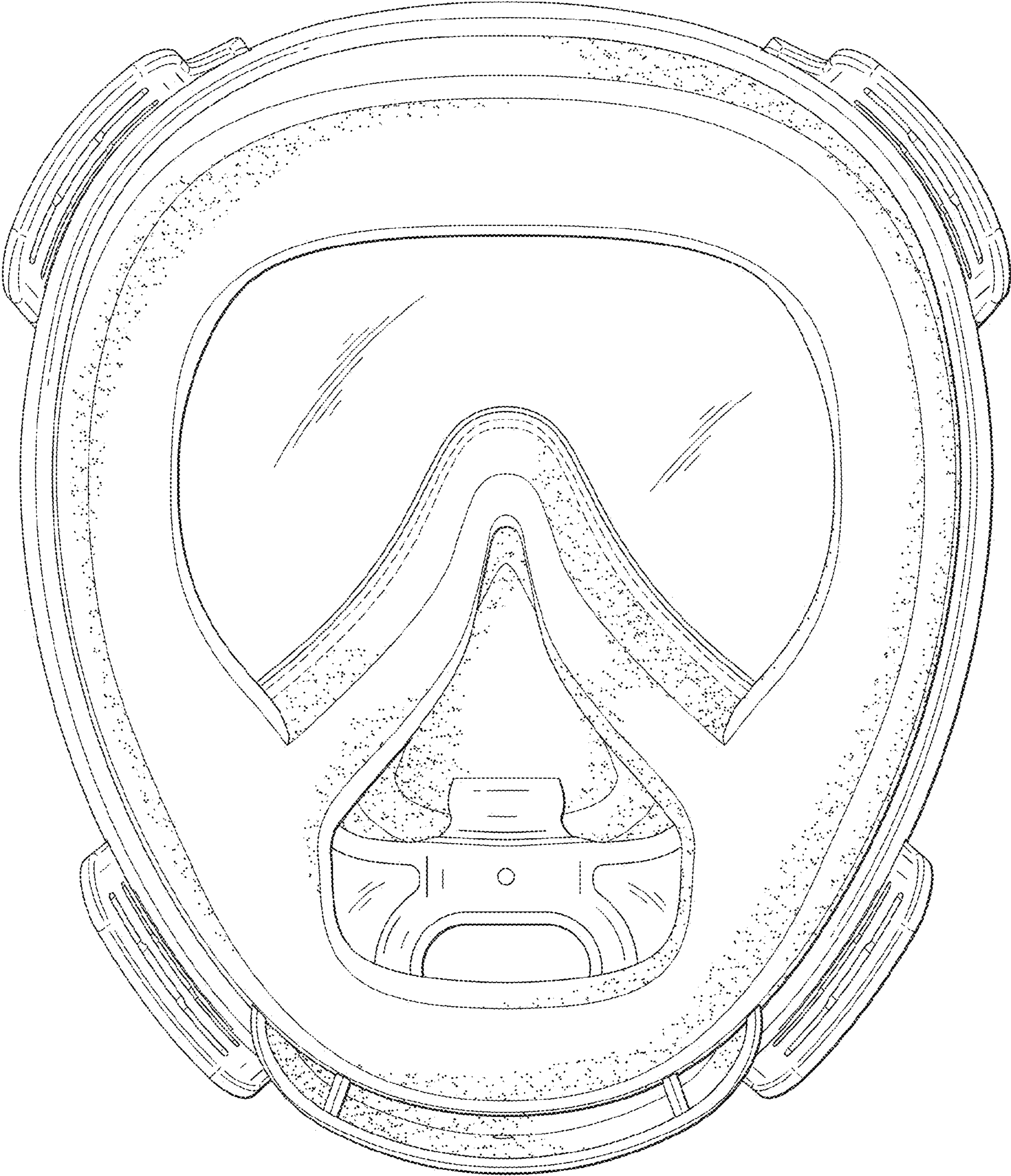


FIG. 4

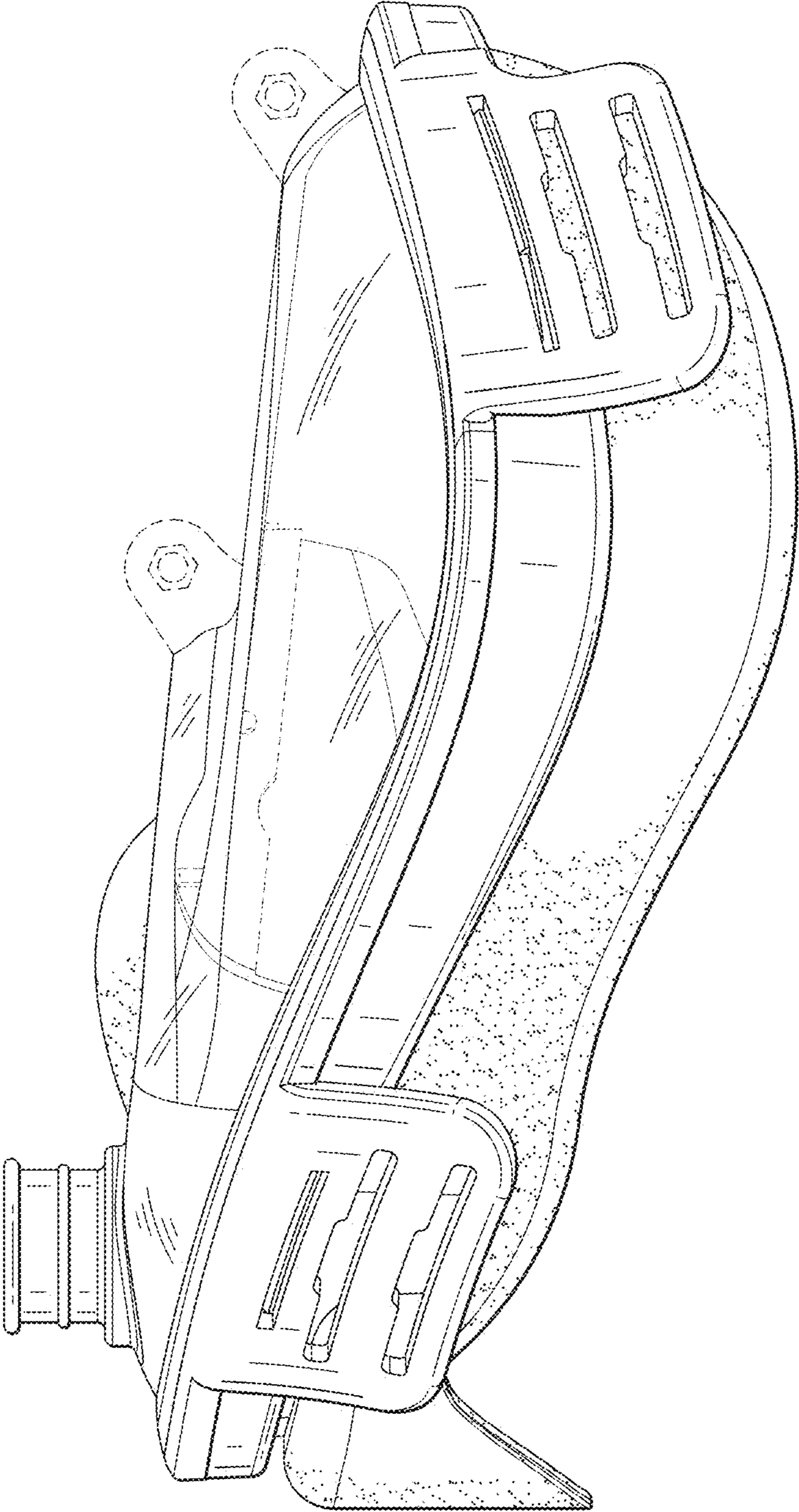


FIG. 5

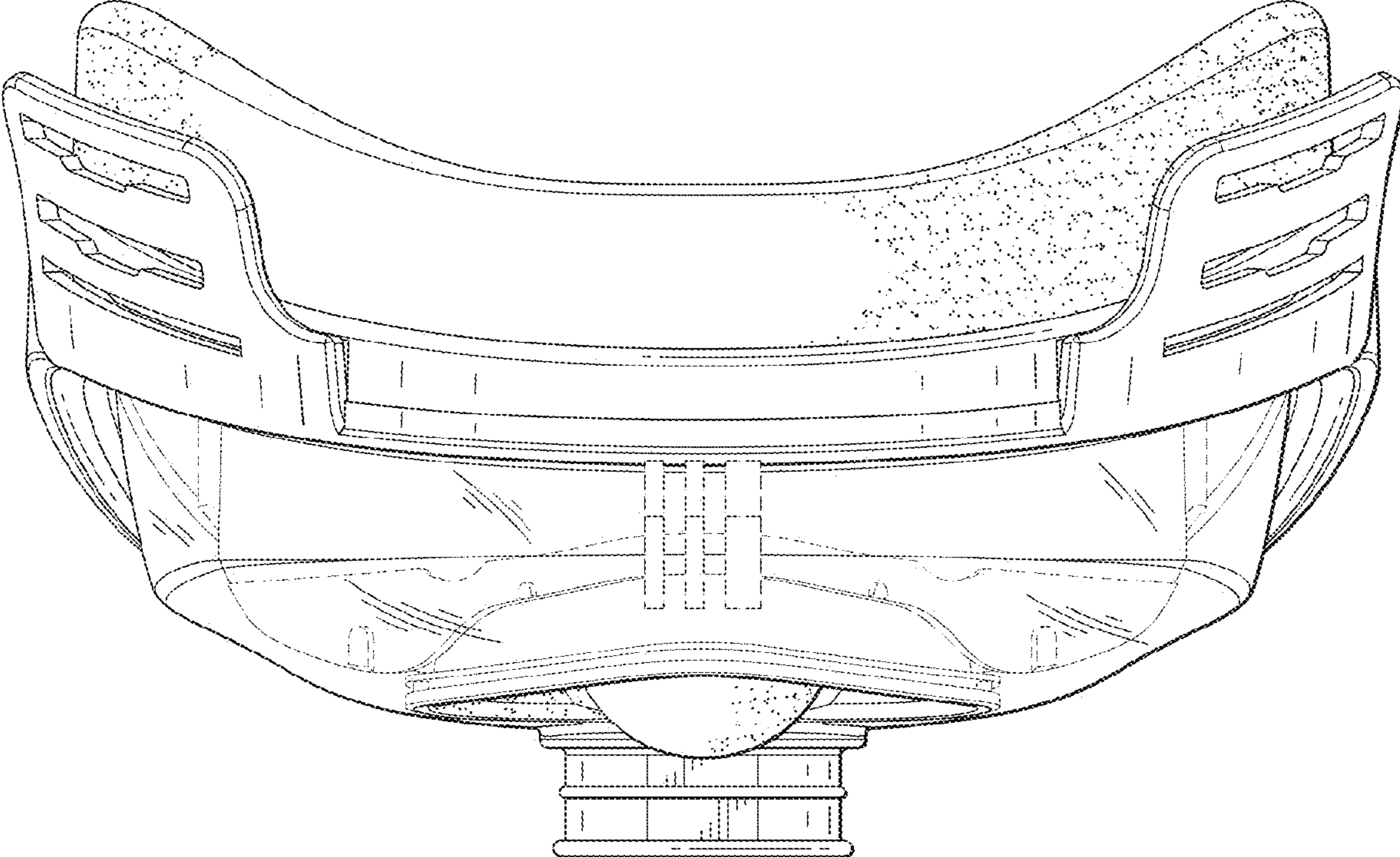


FIG. 6

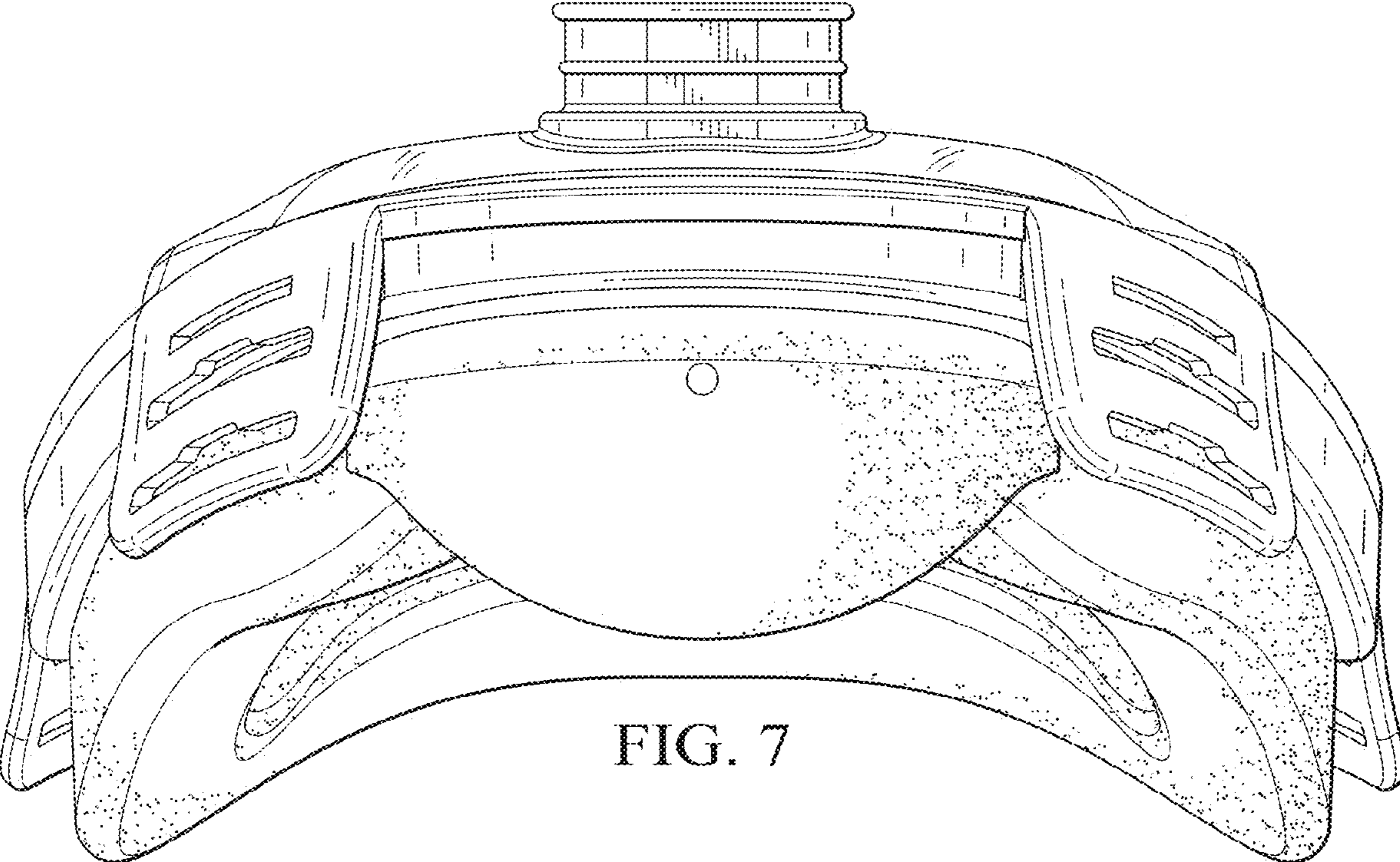


FIG. 7