



US00D989948S

(12) **United States Design Patent** (10) **Patent No.:** **US D989,948 S**  
**Poissant et al.** (45) **Date of Patent:** **\*\* Jun. 20, 2023**

(54) **FACE MASK**  
(71) Applicants: **Daniel Poissant**, Mont-Saint-Hilaire (CA); **Samuel Poissant**, La Presentation (CA)  
(72) Inventors: **Daniel Poissant**, Mont-Saint-Hilaire (CA); **Samuel Poissant**, La Presentation (CA); **Arnaud Derouet**, Montreal (CA)  
(73) Assignees: **Daniel Poissant**, Mont-Saint-Hilaire (CA); **Samuel Poissant**, Mont-Saint-Hilaire (CA)

5,113,528 A \* 5/1992 Burke, Jr. .... A61F 9/02  
128/857  
5,406,944 A \* 4/1995 Gazzara ..... A62B 18/082  
128/201.12  
6,026,511 A \* 2/2000 Baumann ..... A61F 9/029  
2/9

(Continued)

**FOREIGN PATENT DOCUMENTS**

CA 2329541 11/1999  
CA 2337434 2/2000

**OTHER PUBLICATIONS**

International Search Report dated Jul. 14, 2021 in parent PCT Application No. PCT/CA2021/050493.

(Continued)

*Primary Examiner* — Richard Kearney  
*Assistant Examiner* — Michael Hoffman  
(74) *Attorney, Agent, or Firm* — Lavery, De Billy, LLP; Gwendoline Bruneau

(\*\*) Term: **15 Years**

(21) Appl. No.: **29/867,602**

(22) Filed: **Oct. 31, 2022**

**Related U.S. Application Data**

(62) Division of application No. 29/738,693, filed on Jun. 18, 2020.

(51) **LOC (14) Cl.** ..... **29-02**

(52) **U.S. Cl.**  
USPC ..... **D24/110.2**; D29/108

(58) **Field of Classification Search**  
USPC ..... D24/110, 110.1–110.6; D29/108  
CPC . A41D 13/11; A41D 13/1107; A41D 13/1115;  
A41D 13/1123; A41D 13/113; A41D  
13/1138; A41D 13/1146; A41D 13/1153;  
A41D 13/1161; A41D 13/1169; A41D  
13/1176; A41D 13/1184; A61M 16/06;  
A62B 18/00; A62B 18/02; A62B 18/025;  
A62B 23/00

See application file for complete search history.

(56) **References Cited**

**U.S. PATENT DOCUMENTS**

2,462,005 A \* 2/1949 Schauweker ..... A62B 18/02  
D24/110.2  
2,762,368 A \* 9/1956 Bloomfield ..... A41D 13/1184  
D24/110.2

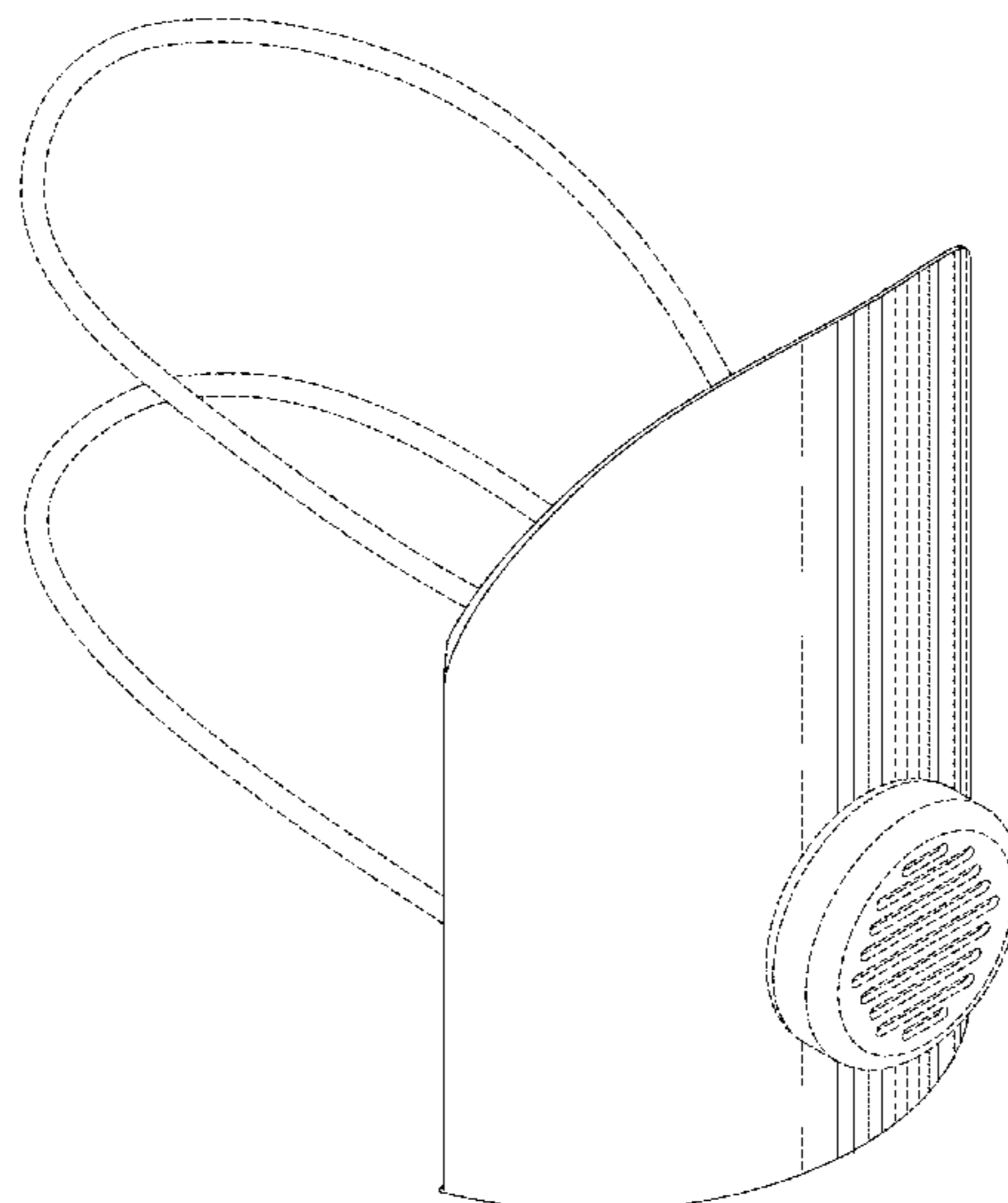
(57) **CLAIM**

The ornamental design for a face mask, as shown and described.

**DESCRIPTION**

FIG. 1 is a perspective front view of the face mask;  
FIG. 2 is a perspective rear view thereof;  
FIG. 3 is a front view thereof;  
FIG. 4 is a first side view thereof;  
FIG. 5 is a second side view thereof;  
FIG. 6 is a top view thereof;  
FIG. 7 is a rear view thereof; and,  
FIG. 8 is a bottom view thereof.  
The broken lines shown in FIGS. 1-8 illustrate portions that form no part of the claimed design.

**1 Claim, 8 Drawing Sheets**



(56)

**References Cited**

U.S. PATENT DOCUMENTS

D640,011 S \* 6/2011 Teng ..... D29/108  
10,945,469 B1 \* 3/2021 Rosenberg ..... A62B 18/08  
10,980,297 B1 \* 4/2021 Augustine ..... A62B 7/10  
D926,387 S \* 7/2021 Goldberg ..... D29/110  
11,109,625 B1 \* 9/2021 Avasarala ..... A62B 18/08  
11,135,459 B1 \* 10/2021 Caldwell ..... A62B 18/025  
2004/0221849 A1 \* 11/2004 Shue ..... A62B 18/025  
128/206.13  
2022/0110387 A1 \* 4/2022 Dettorre ..... A41D 13/1184

OTHER PUBLICATIONS

Written Opinion of the International Searching Authority dated Jul.  
14, 2021 in parent PCT Application No. PCT/CA2021/050493.

\* cited by examiner

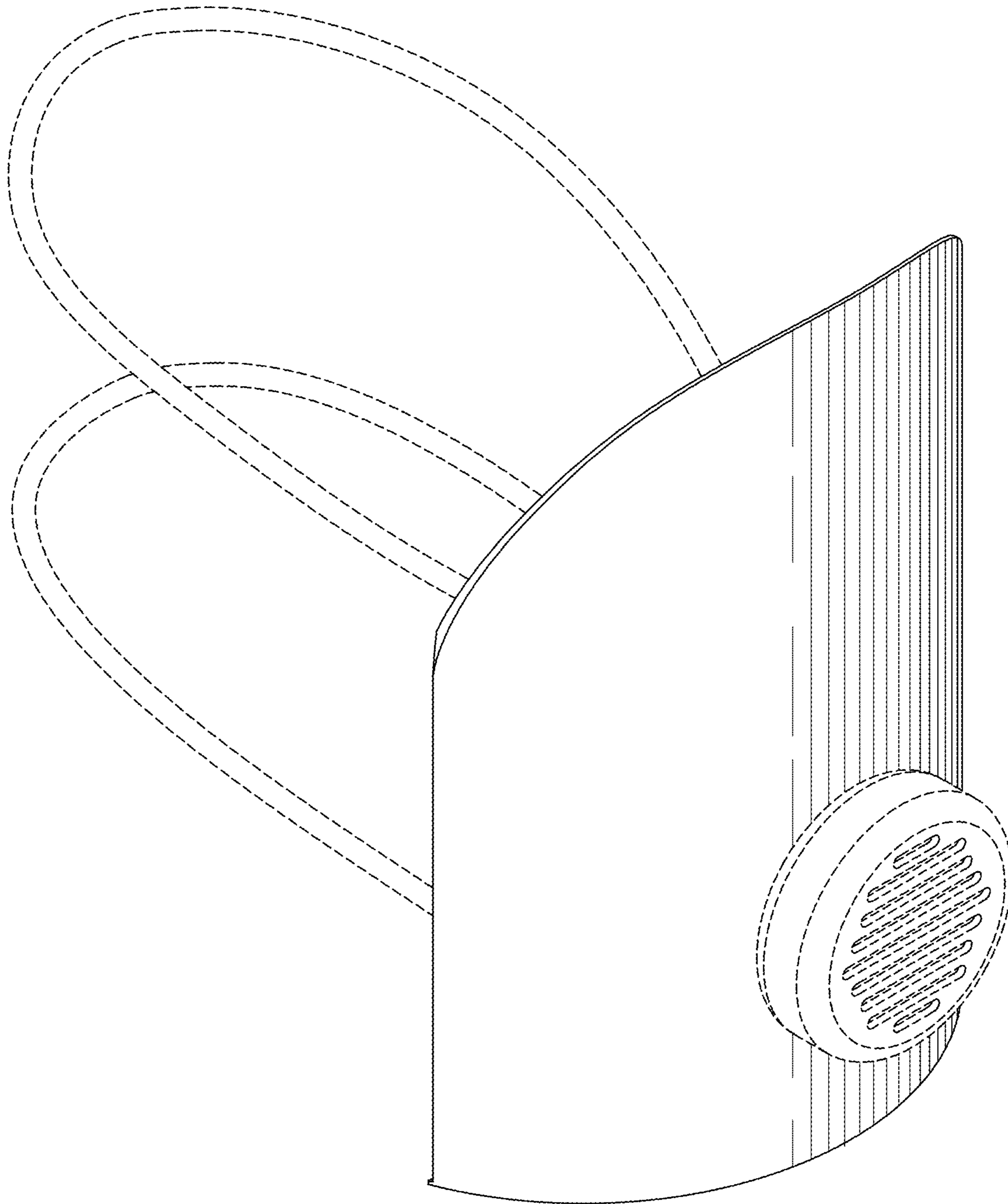


FIG. 1

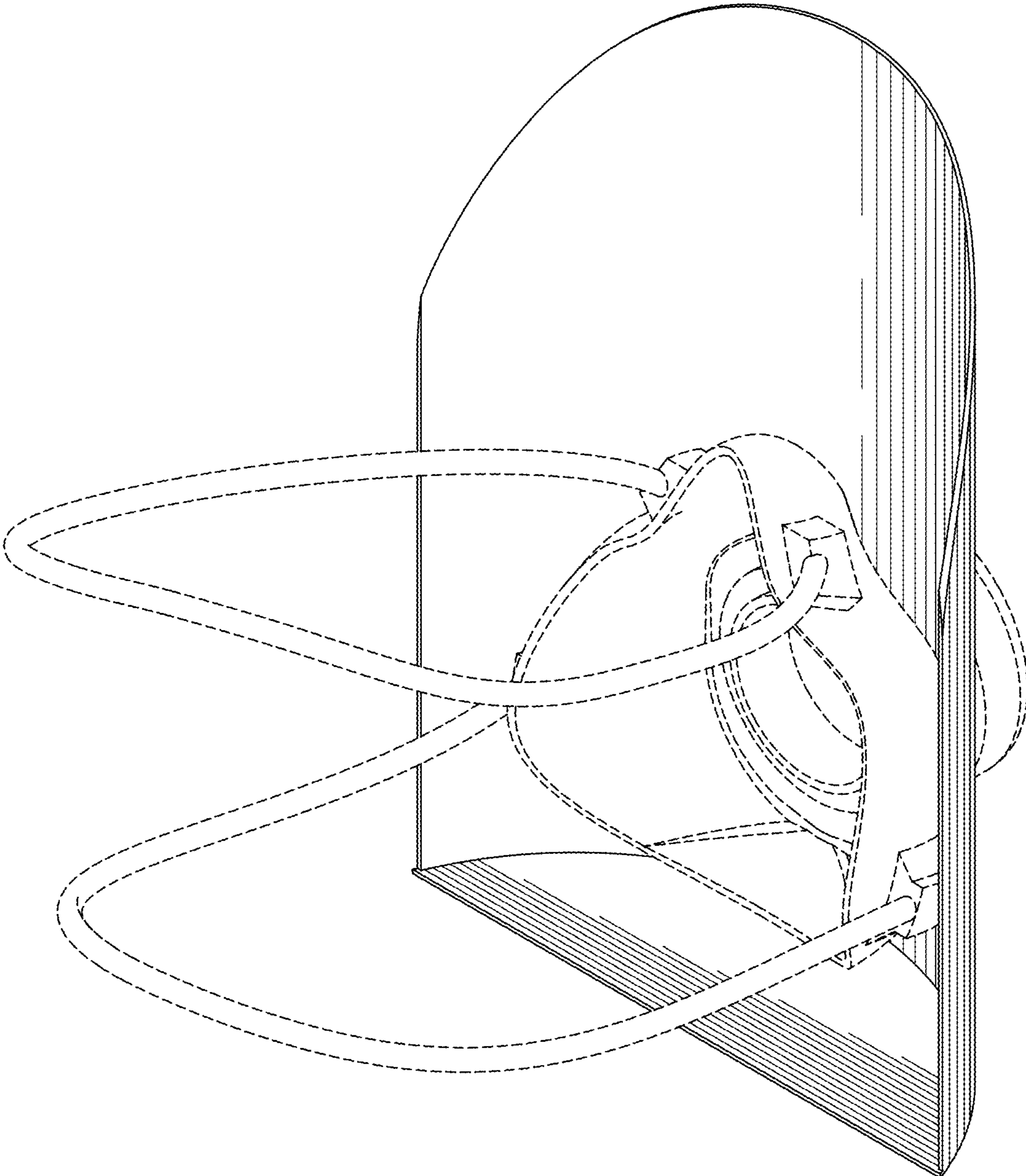


FIG. 2

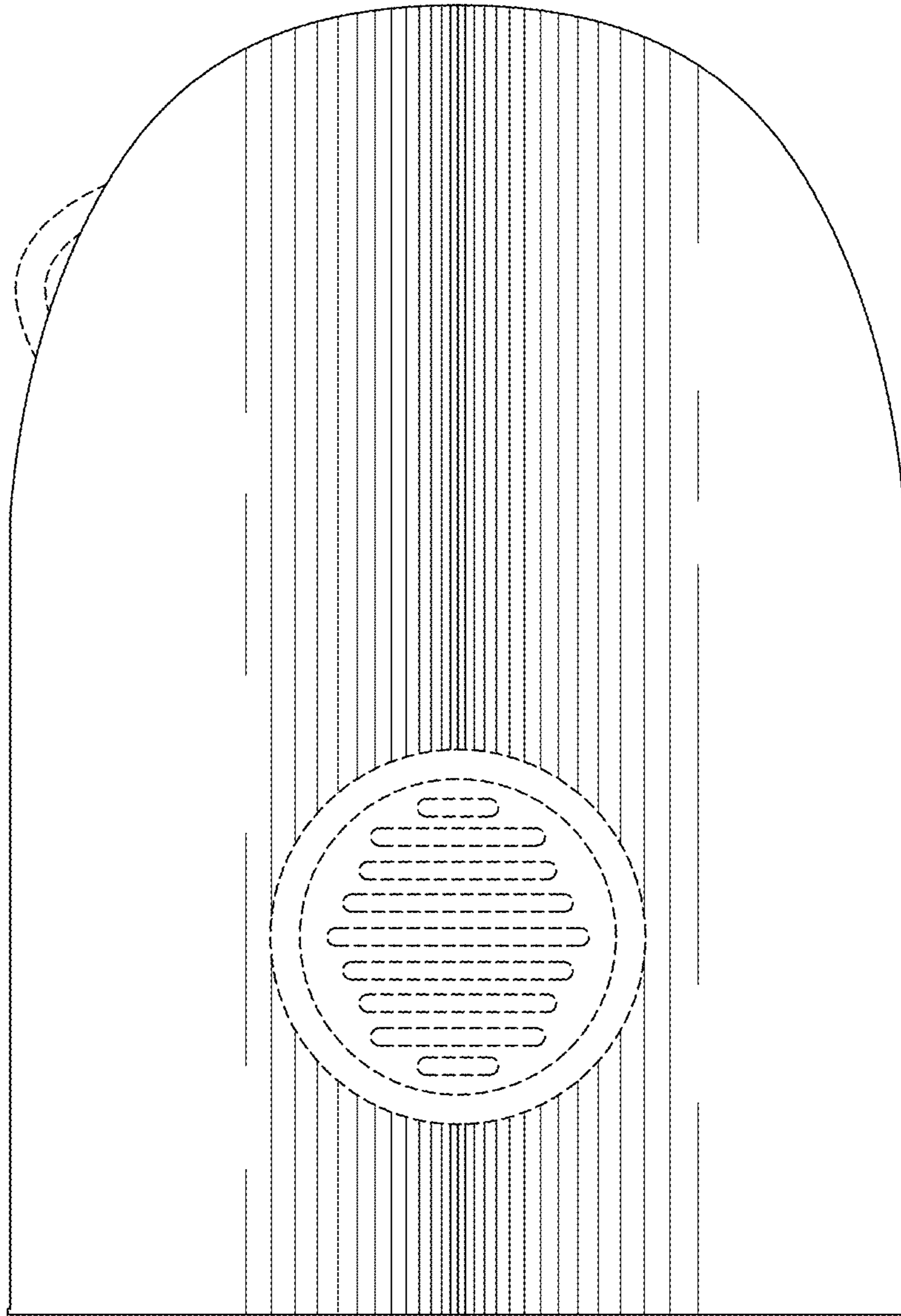


FIG. 3

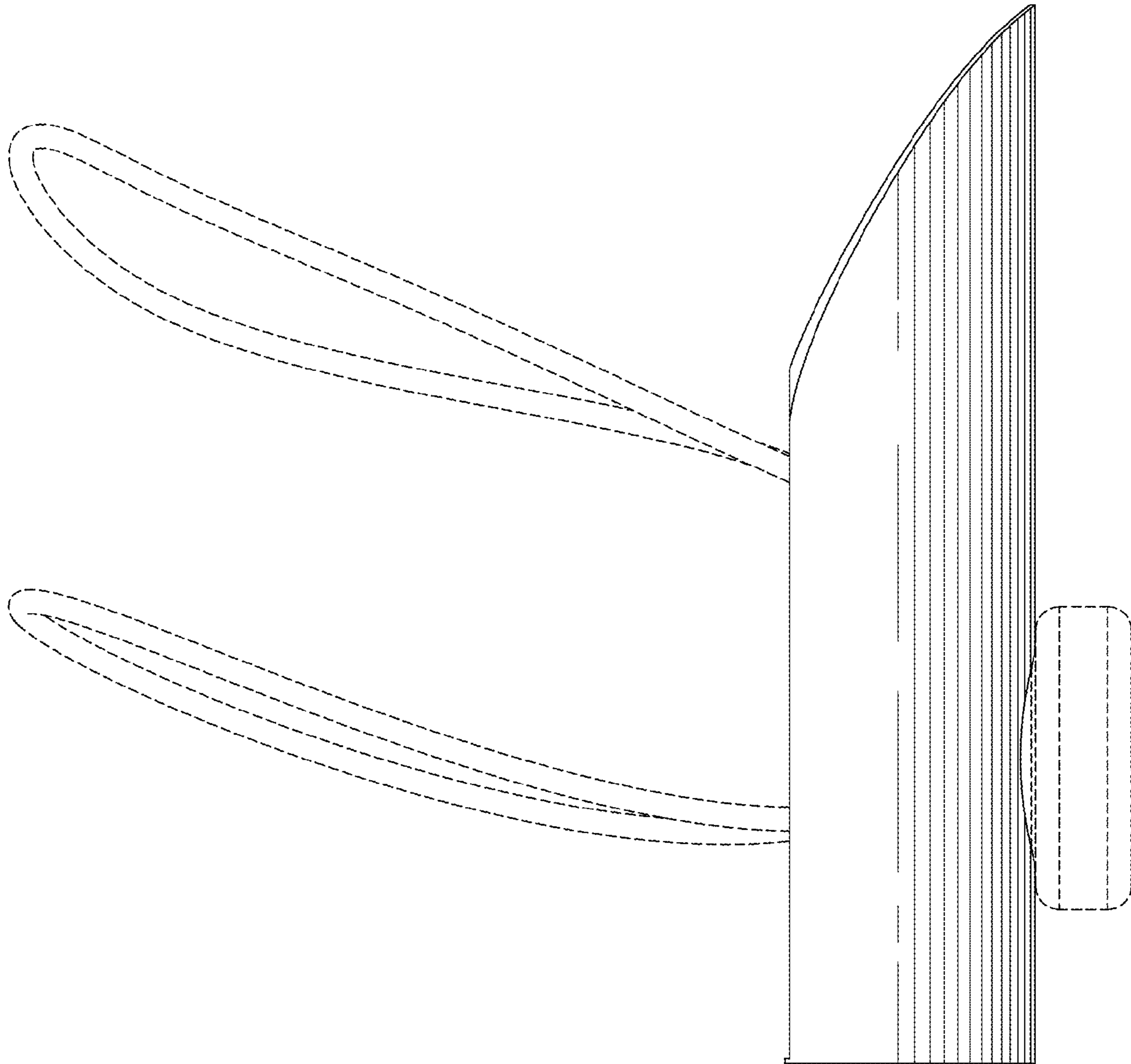


FIG. 4

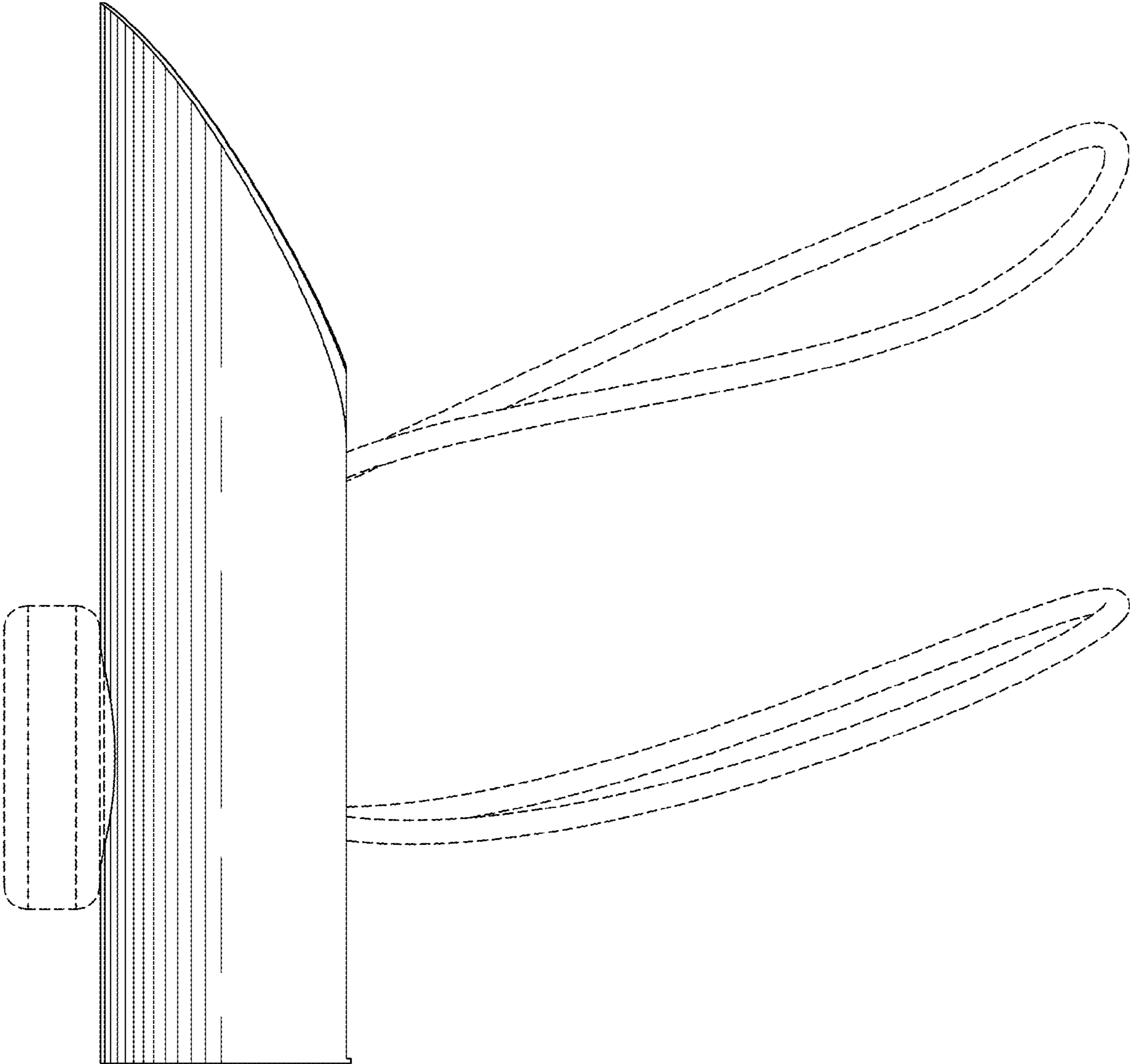


FIG. 5

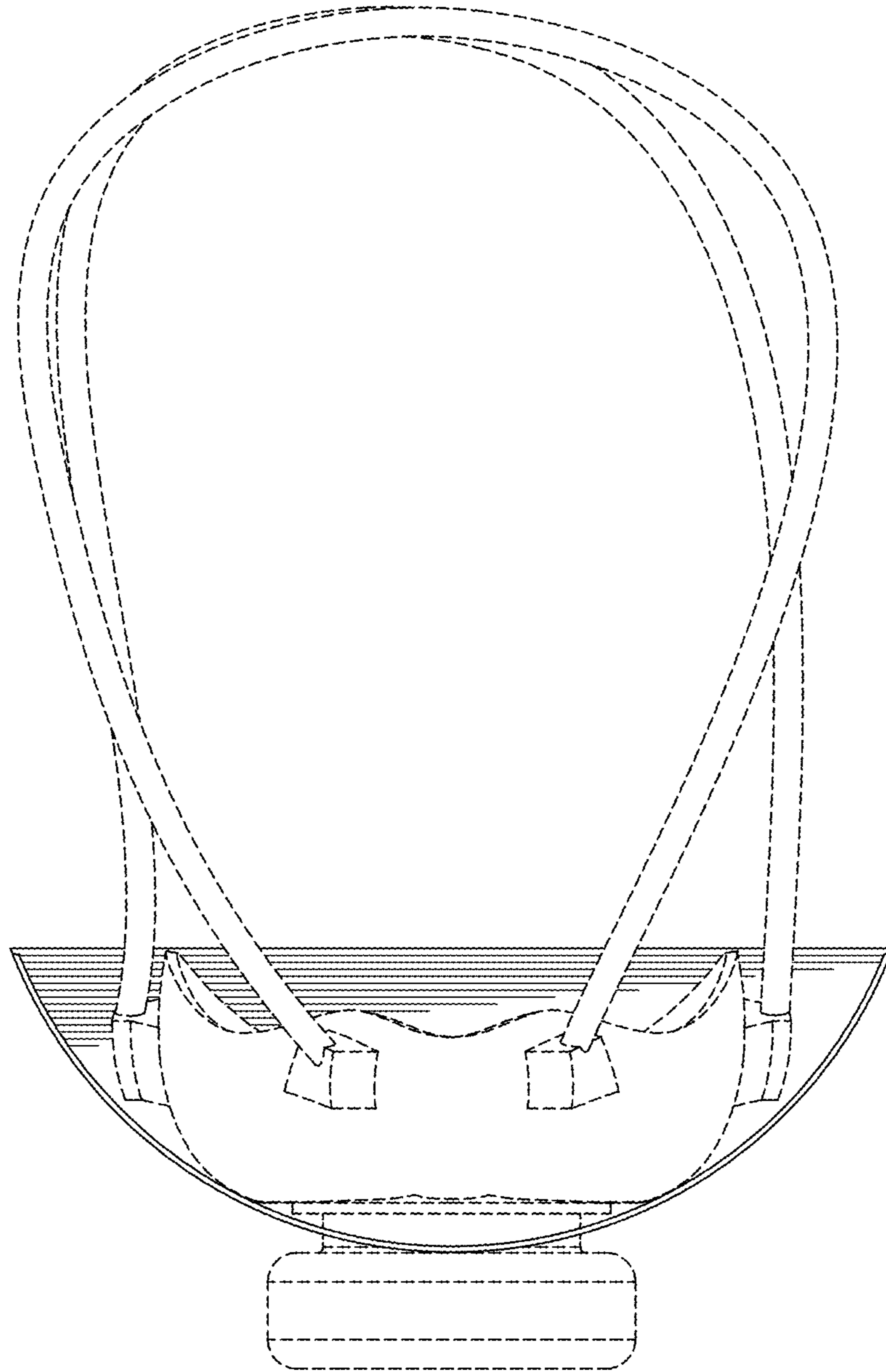


FIG. 6



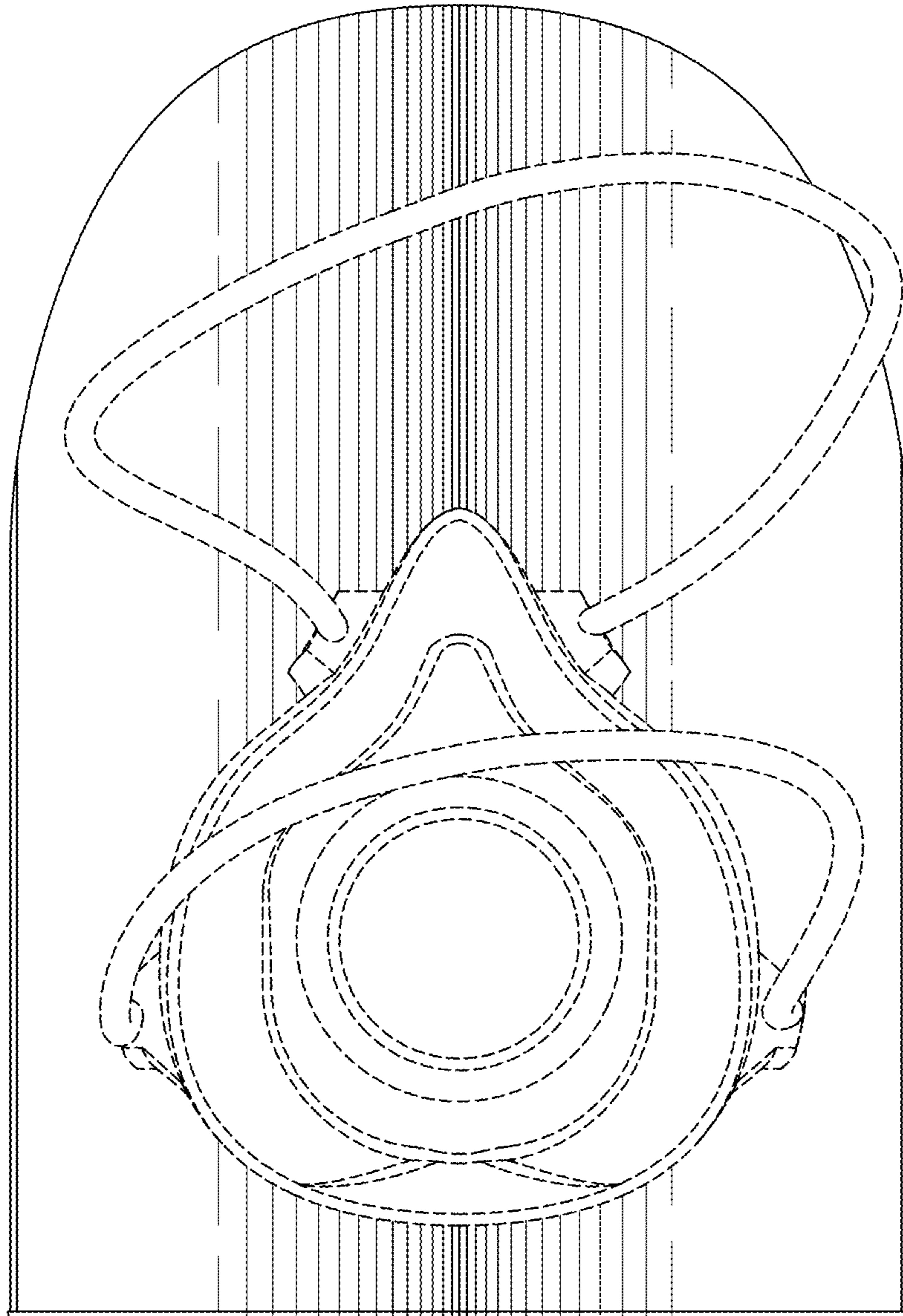


FIG. 7

