



US00D989946S

(12) **United States Design Patent**
Yokoi

(10) **Patent No.:** **US D989,946 S**

(45) **Date of Patent:** **** *Jun. 20, 2023**

(54) **SANITARY MASK**

(71) Applicant: **Shirohato Co., Ltd.**, Aichi (JP)

(72) Inventor: **Takanao Yokoi**, Aichi (JP)

(73) Assignee: **Shirohato Co., Ltd.**, Aichi (JP)

(*) Notice: This patent is subject to a terminal disclaimer.

(**) Term: **15 Years**

(21) Appl. No.: **35/513,240**

(22) Filed: **Jun. 21, 2021**

(80) **Hague Agreement Data**

Int. Filing Date: **Jun. 21, 2021**

Int. Reg. No.: **DM/215113**

Int. Reg. Date: **Jun. 21, 2021**

Int. Reg. Pub. Date: **Dec. 24, 2021**

(30) **Foreign Application Priority Data**

Dec. 23, 2020 (JP) 2020-027899

(51) **LOC (14) Cl.** **29-02**

(52) **U.S. Cl.**
USPC **D24/110.1**

(58) **Field of Classification Search**
USPC D24/110.1, 110.2, 110.4, 110.5, 162;
D29/108
CPC A41D 13/1107; A41D 13/1115; A41D
13/1161
See application file for complete search history.

(56) **References Cited**

U.S. PATENT DOCUMENTS

- D224,277 S * 7/1972 Venaleck D24/110.1
- 4,084,585 A * 4/1978 Venaleck A41D 13/1161
128/206.13
- D271,059 S * 10/1983 McKelvy D24/110.1
- 4,653,124 A 3/1987 McNeal et al.

- 4,796,621 A 1/1989 Barle et al.
- 4,802,473 A 2/1989 Hubbard et al.
- 4,941,470 A 7/1990 Hubbard et al.
- 4,944,294 A 7/1990 Borek

(Continued)

FOREIGN PATENT DOCUMENTS

- JP 1500313 S 6/2014
- JP 1500314 S 6/2014

(Continued)

OTHER PUBLICATIONS

International Designs Bulletin of International Design Registration No. DM/212395 filed Nov. 25, 2020.

(Continued)

Primary Examiner — Rhea Shields

(74) *Attorney, Agent, or Firm* — Kim IP Law Group LLC

(57) **CLAIM**

The ornamental design for a sanitary mask, as shown and described.

DESCRIPTION

1. Sanitary mask

1.1 is a front view of a sanitary mask in accordance with the new design;

1.2 is a left side view of the sanitary mask of **1.1**;

1.3 is a right side view of the sanitary mask of **1.1**;

1.4 is a rear view of the sanitary mask of **1.1**;

1.5 is a top view of the sanitary mask of **1.1**;

1.6 is a bottom view of the sanitary mask of **1.1**;

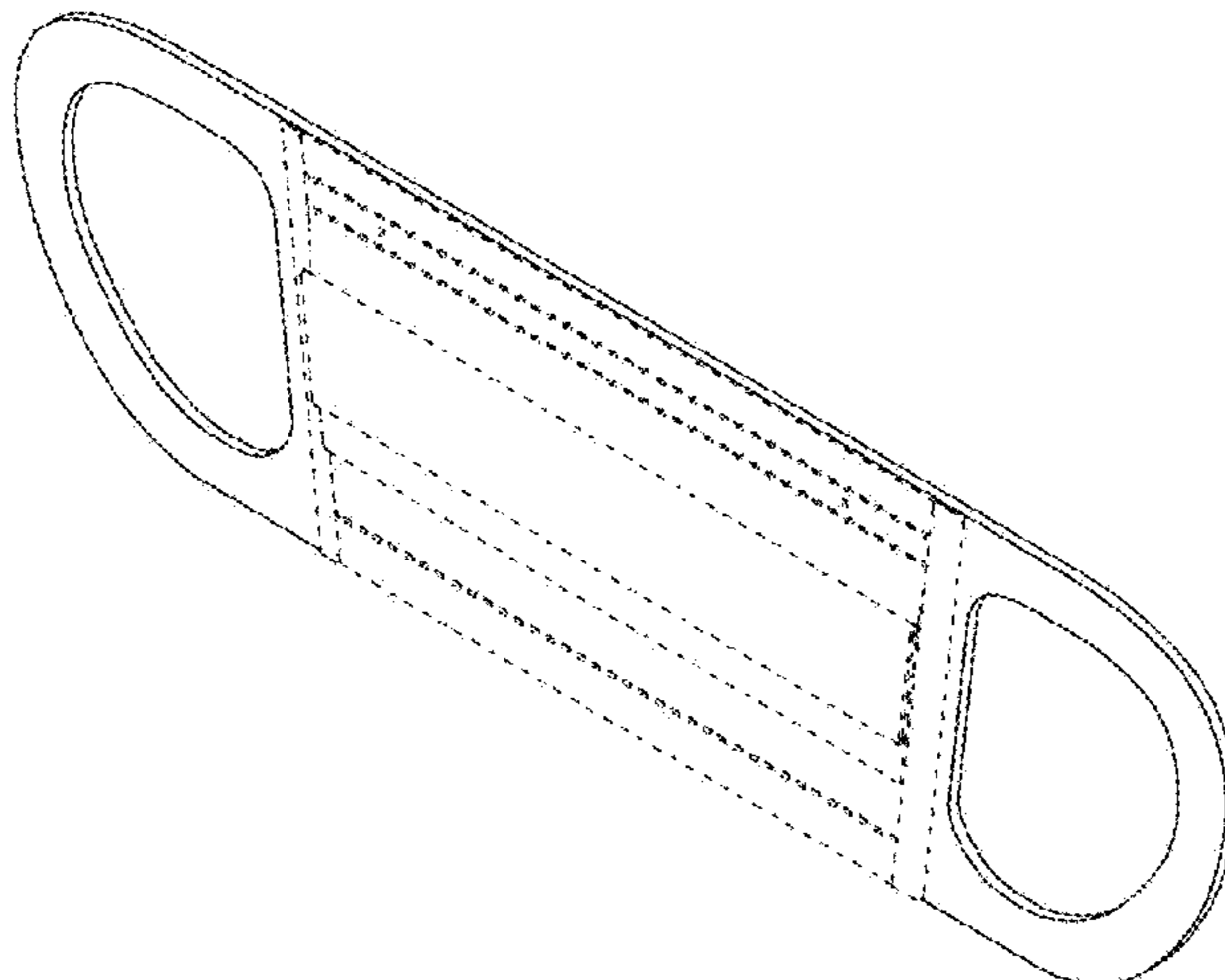
1.7 is a perspective view of the sanitary mask of **1.1**;

1.8 is an enlarged cross-sectional view of the sanitary mask of **1.1**; and

1.9 shows the sanitary mask in an environment.

The broken lines indicate portions of the sanitary mask that form no part of the claimed design; the enlarged cross-sectional view is sectioned vertically at the center of the front view.

1 Claim, 9 Drawing Sheets



(56)

References Cited

U.S. PATENT DOCUMENTS

5,020,533 A 6/1991 Hubbard et al.
 5,035,006 A 7/1991 Hetz et al.
 D319,111 S 8/1991 Sandel et al.
 D327,141 S 6/1992 Hubbard et al.
 5,150,703 A 9/1992 Hubbard et al.
 5,383,450 A 1/1995 Hubbard et al.
 D355,485 S 2/1995 Hubbard et al.
 D355,714 S * 2/1995 Hubbard D24/110.2
 D355,715 S 2/1995 Hubbard et al.
 D366,697 S 1/1996 Drummond
 D380,545 S * 7/1997 Nozaki D24/110.2
 5,704,349 A 1/1998 Hubbard et al.
 5,717,991 A 2/1998 Nozaki et al.
 5,765,556 A 6/1998 Brunson
 6,026,511 A 2/2000 Baumann et al.
 6,886,559 B2 5/2005 McDonald et al.
 D519,208 S 4/2006 Wolfe
 D666,776 S 9/2012 Shim
 8,261,375 B1 9/2012 Reaux
 D677,779 S 3/2013 Turdjian et al.
 D684,322 S 6/2013 Shim
 D693,062 S * 11/2013 Bowen D29/108
 D803,391 S * 11/2017 Reese D24/110.1
 D827,936 S 9/2018 Jung
 10,357,069 B2 * 7/2019 Tuan A41D 13/1107
 D877,887 S 3/2020 Kelly et al.
 D905,351 S * 12/2020 Zheng D29/108
 D906,597 S * 12/2020 Wilson D29/108
 D910,929 S * 2/2021 Won D29/108
 D928,936 S * 8/2021 Zeng D24/110.1
 D936,906 S * 11/2021 Xin D29/108
 D950,707 S * 5/2022 Coates D29/108
 D954,937 S * 6/2022 An D29/108
 D955,055 S * 6/2022 Rademacher D29/108
 D958,322 S * 7/2022 Conley D24/110.4
 D961,762 S * 8/2022 Maggio D24/110.1
 D961,775 S * 8/2022 Yoon D24/162
 D963,838 S * 9/2022 Yoon D29/108
 D964,548 S * 9/2022 Rookard D29/108
 D964,658 S * 9/2022 McGinnis D29/108
 2004/0231023 A1 11/2004 Huang
 2010/0319701 A1 12/2010 Connell
 2010/0326444 A1 12/2010 Shim
 2013/0186414 A1 7/2013 Suzuki et al.
 2014/0326255 A1 * 11/2014 Teng A41D 13/1115
 128/863
 2018/0280739 A1 10/2018 Charumethee
 2019/0125011 A1 5/2019 Eisenbrey et al.
 2021/0068480 A1 3/2021 Ito

FOREIGN PATENT DOCUMENTS

JP 1513315 S 12/2014
 JP 2016-137119 A2 8/2016
 JP 1558559 S 9/2016

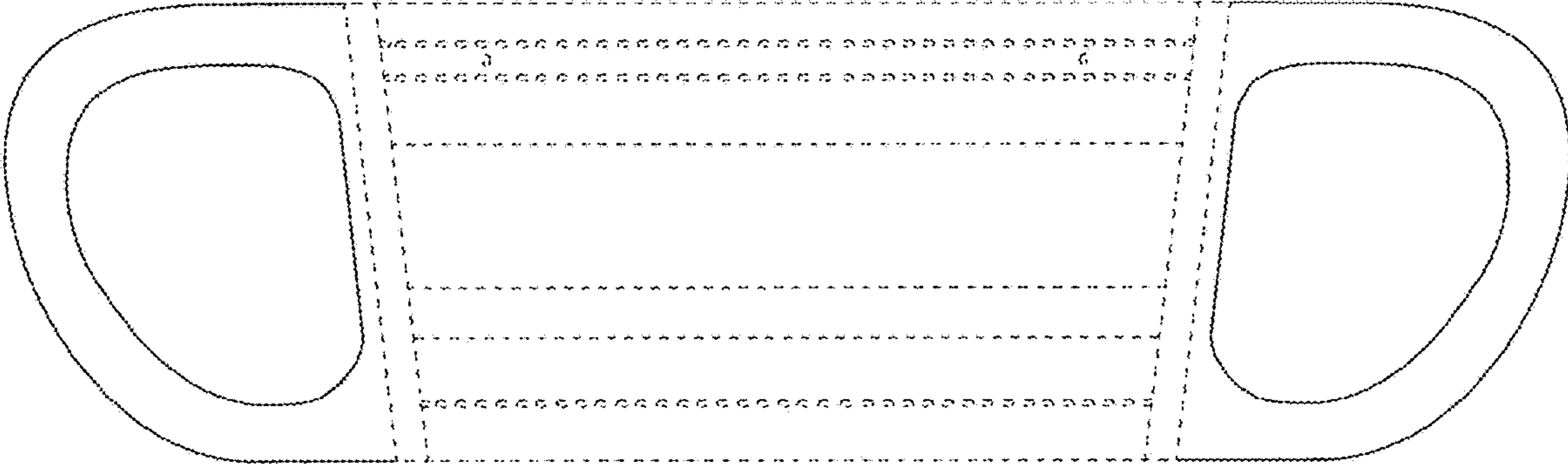
JP 1587232 S 10/2017
 JP 1594967 S 1/2018
 JP 1636931 S 7/2019
 JP 1650664 S 1/2020
 JP 1663712 S 7/2020
 JP 1663797 S 7/2020
 JP 1664752 S 7/2020
 JP 1664753 S 7/2020
 JP 1664829 S 7/2020
 JP 1665465 S 8/2020
 JP 1665466 S 8/2020
 JP 1665732 S 8/2020
 JP 1669269 S 9/2020
 JP 1669270 S 9/2020
 JP 1669271 S 9/2020
 JP 1669687 S 10/2020
 JP 1669771 S 10/2020
 JP 1670014 S 10/2020
 JP 1670402 S 10/2020
 JP 1670403 S 10/2020
 JP 1670708 S 10/2020
 JP 1670908 S 10/2020
 JP 1670909 S 10/2020
 JP 1670934 S 10/2020
 JP 1671169 S 10/2020
 JP 1671354 S 11/2020
 JP 1671509 S 11/2020
 JP 1671625 S 11/2020
 JP 1671637 S 11/2020
 JP 1671863 S 11/2020
 JP 1671967 S 11/2020
 JP 1671972 S 11/2020
 JP 1671997 S 11/2020
 JP 1672235 S 11/2020
 JP 1672236 S 11/2020
 JP 1672324 S 11/2020
 JP 1672920 S 11/2020
 JP 1673010 S 11/2020
 JP 1674318 S 12/2020
 JP 1674865 S 12/2020
 JP 1675341 S 12/2020
 JP 1675458 S 12/2020
 WO WO2021200560 A1 10/2021
 WO WO2021261321 A1 12/2021
 WO WO2022044597 A1 3/2022

OTHER PUBLICATIONS

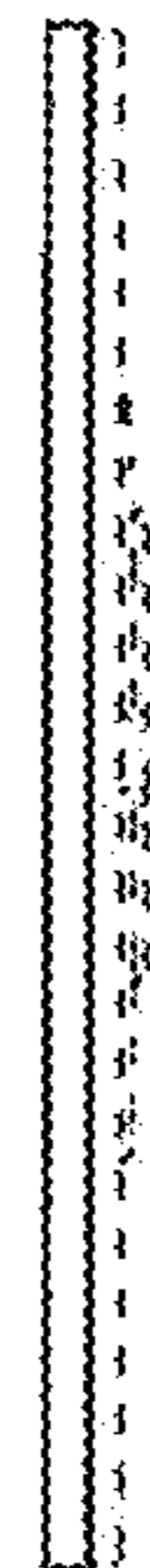
International Registration Certificate of International Design Registration No. DM/212395 filed Nov. 25, 2020.
 Website <https://andmask.com/> accessed on Nov. 16, 2020.
 Filing documents of International Design Registration No. DM/212395 filed Nov. 25, 2020.
 English translation of Office Action in counterpart Korean International Design Application No. DM/215113, dated Nov. 10, 2022.
 “Andmask_official” Instagram Post dated Nov. 16, 2020.

* cited by examiner

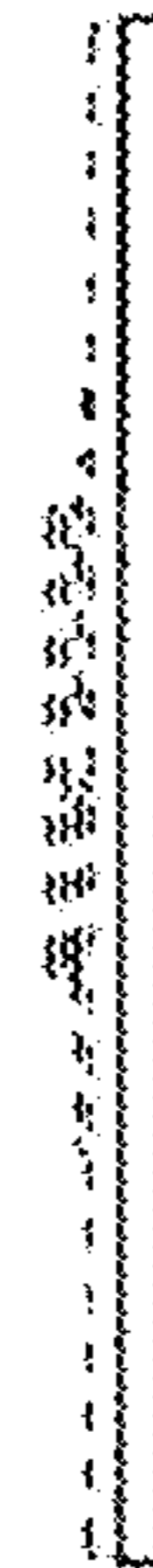
1.1



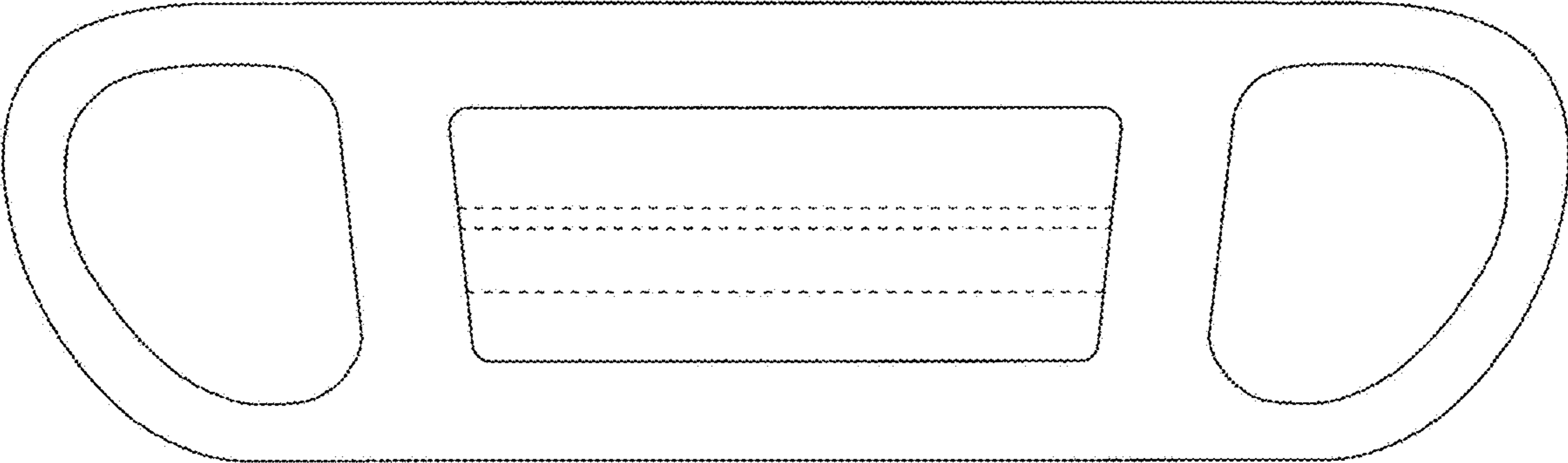
1.2



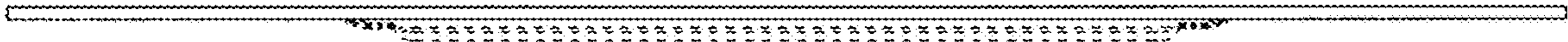
1.3



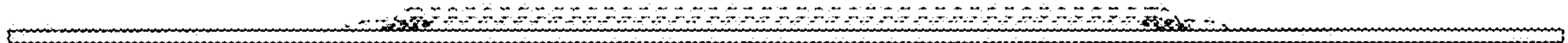
1.4



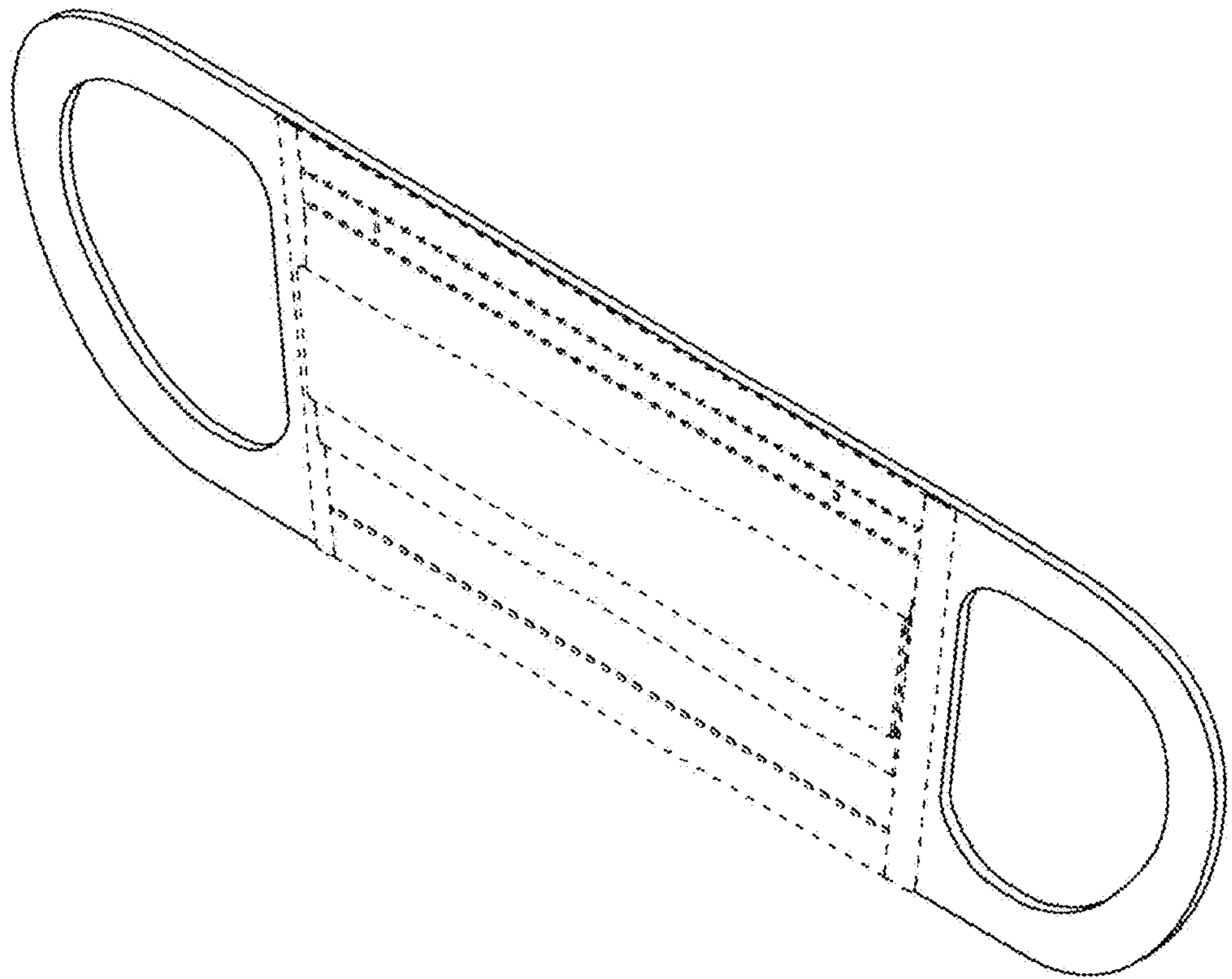
1.5



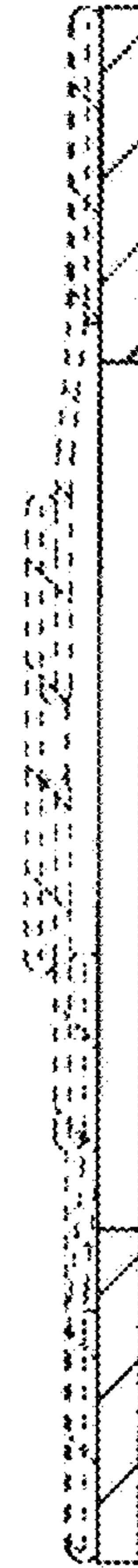
1.6



1.7



1.8



1.9

