



US00D989945S

(12) **United States Design Patent** (10) **Patent No.:** **US D989,945 S**
Dente (45) **Date of Patent:** **** Jun. 20, 2023**

(54) **RESPIRATOR**

(71) Applicant: **Dentec Safety Specialists Inc.,**
Newmarket (CA)

(72) Inventor: **Claudio Dente,** Newmarket (CA)

(73) Assignee: **Dentec Safety Specialists Inc.,**
Newmarket (CA)

(**) Term: **15 Years**

(21) Appl. No.: **29/765,024**

(22) Filed: **Jan. 5, 2021**

(30) **Foreign Application Priority Data**

Dec. 22, 2020 (CA) CA 200196

(51) **LOC (14) Cl.** **29-02**

(52) **U.S. Cl.**
USPC **D24/110.1**

(58) **Field of Classification Search**
USPC D24/110, 110.1, 110.2, 110.3, 110.4,
D24/110.5, 110.6, 129, 162, 164;
D29/102, 105, 106, 107, 108, 110

CPC .. A61M 16/00; A61M 16/06; A61M 16/0616;
A61M 16/0622; A61M 2202/0208; A62B
18/006; A62B 7/10; A62B 18/045; A62B
18/08; A62B 18/04; A62B 18/02; A62B
18/00; A62B 23/025; A62B 23/02; A62B
18/025; A41D 13/11; A41D 13/1107;
A41D 13/1161; A41D 13/1169; A41D
2400/52; A41D 13/1176

See application file for complete search history.

(56) **References Cited**

U.S. PATENT DOCUMENTS

2,999,498 A * 9/1961 Matheson A62B 18/025
128/206.15
4,850,346 A * 7/1989 Michel A62B 18/10
128/206.17

D326,540 S * 5/1992 Scholey D24/110.1
D885,676 S * 5/2020 Yuan D29/108
2010/0206311 A1* 8/2010 Flannigan A62B 18/025
264/331.19

(Continued)

FOREIGN PATENT DOCUMENTS

CN 305863122 * 6/2020
EM 004138352-0002 * 8/2017
EM 007804273-0001 * 4/2020

OTHER PUBLICATIONS

“Dentec: Comfort Air Multi Position Cartridge System”. Found
online at YouTube.com. Oct. 3, 2022. Reference dated Sep. 6, 2018.
Retrieved from <https://www.youtube.com/watch?v=pqYCFDsvJhU>.*

(Continued)

Primary Examiner — Kendra Leslie Hamilton
Assistant Examiner — Elizabeth S Struble
(74) *Attorney, Agent, or Firm* — Dorsey & Whitney LLP

(57) **CLAIM**

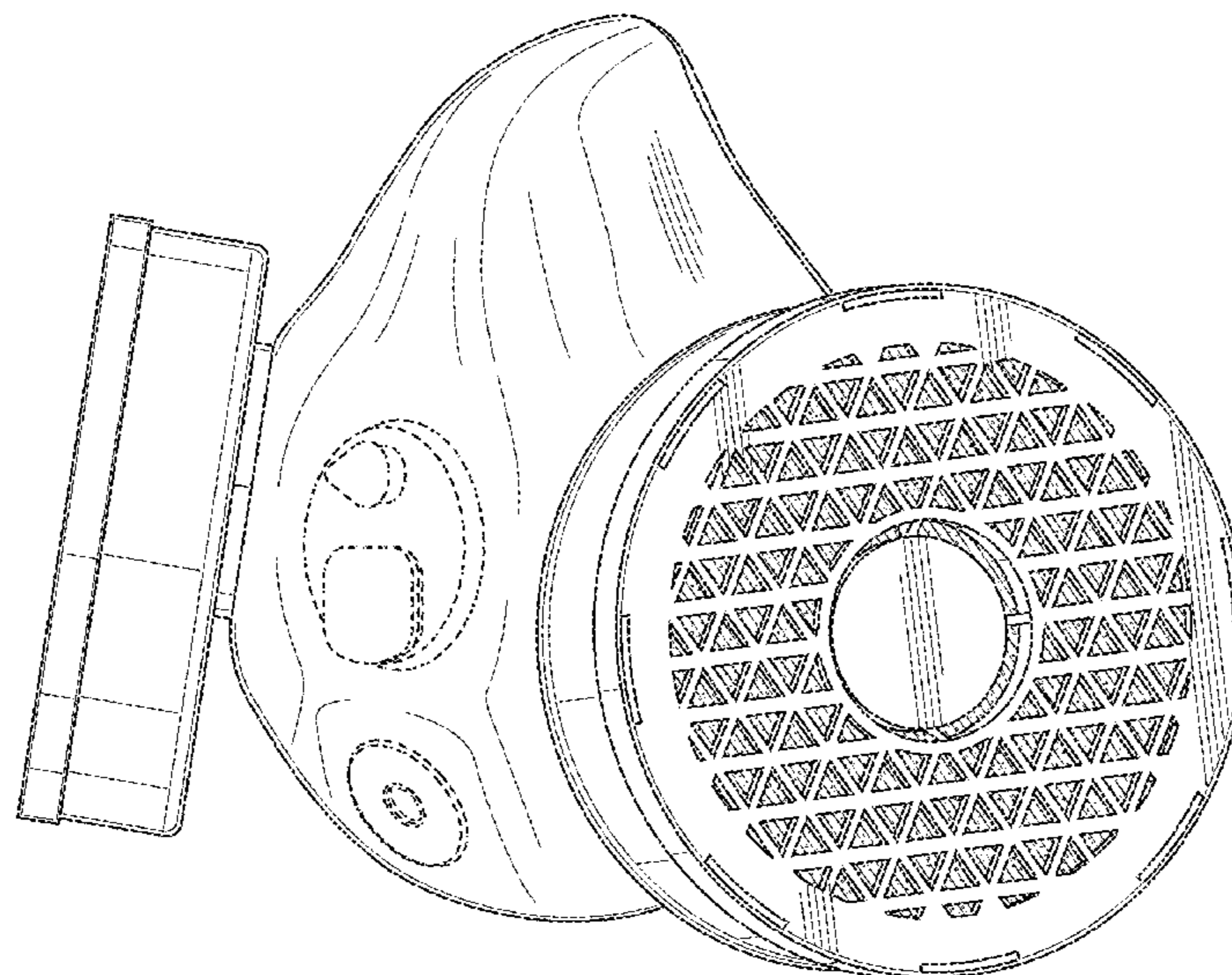
The ornamental design for a respirator, as shown and
described.

DESCRIPTION

FIG. 1 is a front perspective view of a respirator, according
to a new design;
FIG. 2 is a rear perspective view thereof;
FIG. 3 is a front view thereof;
FIG. 4 is a rear view thereof;
FIG. 5 is a right side view thereof;
FIG. 6 is a left side view thereof;
FIG. 7 is a top view thereof; and,
FIG. 8 is a bottom view thereof.

The broken lines in the drawings depict portions of the
respirator that form no part of the claimed design.

1 Claim, 7 Drawing Sheets



(56)

References Cited

U.S. PATENT DOCUMENTS

2010/0263673 A1* 10/2010 Kielow A62B 18/025
128/206.15
2013/0125896 A1* 5/2013 Dwyer A62B 18/02
128/206.17
2014/0224256 A1* 8/2014 Skov A62B 18/02
55/516
2014/0261437 A1* 9/2014 Catanzarite A62B 23/02
128/206.17
2014/0345607 A1* 11/2014 Skov A62B 7/10
128/202.22
2015/0107596 A1* 4/2015 Mashiko A62B 18/08
128/206.15
2018/0093114 A1* 4/2018 Woner A62B 18/025
2018/0289988 A1* 10/2018 Gerson A41D 13/1161

OTHER PUBLICATIONS

“Leeko: Anti-dust Spray Chemical Gas Dual Cartridge Respirator”. Found online at Amazon.com. Aug. 11, 2022. Reference dated Oct. 13, 2016. Retrieved from <https://www.amazon.com/Leeko-Anti-dust-Cartridge-Respirator-Activated/dp/B01M4ILLSI?th=1>.*

“Moldex: 8000 Series Assembled Respirator”. Found online at Amazon.com. Aug. 11, 2022. Reference dated Jun. 16, 2009. Retrieved from <https://www.amazon.com/Moldex-8000-Assembled-Respirators-respirator/dp/B002FCNGJ8>.*

“Safety Works: SWX00318 Paint & Pesticide Respirator”. Found online at Amazon.com. Aug. 11, 2022. Reference dated Feb. 7, 2017. Retrieved from <https://www.amazon.com/Safety-Works-SWX00318-Pesticide-Respirator/dp/B01MZIH4DF>.*

* cited by examiner

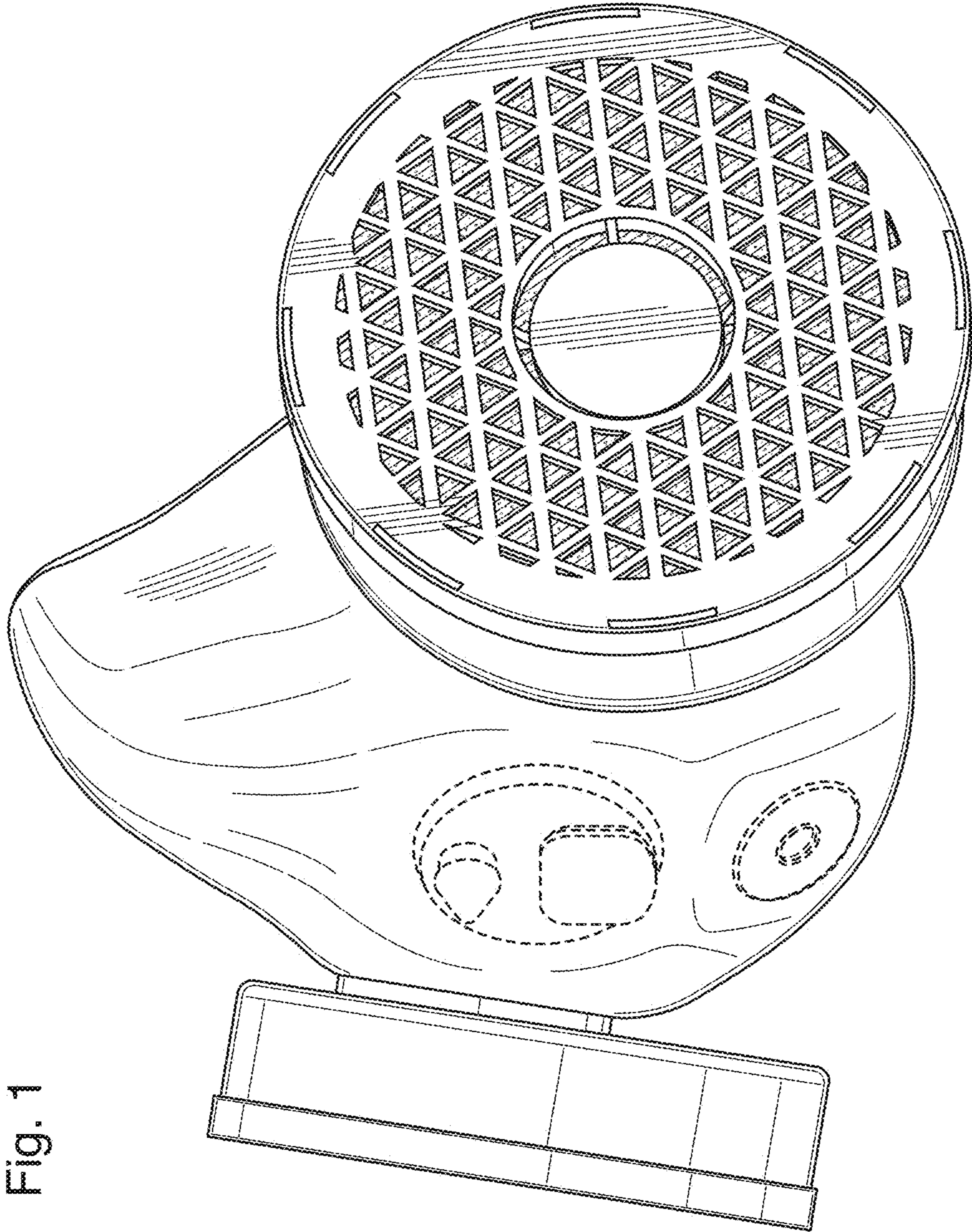


Fig. 1

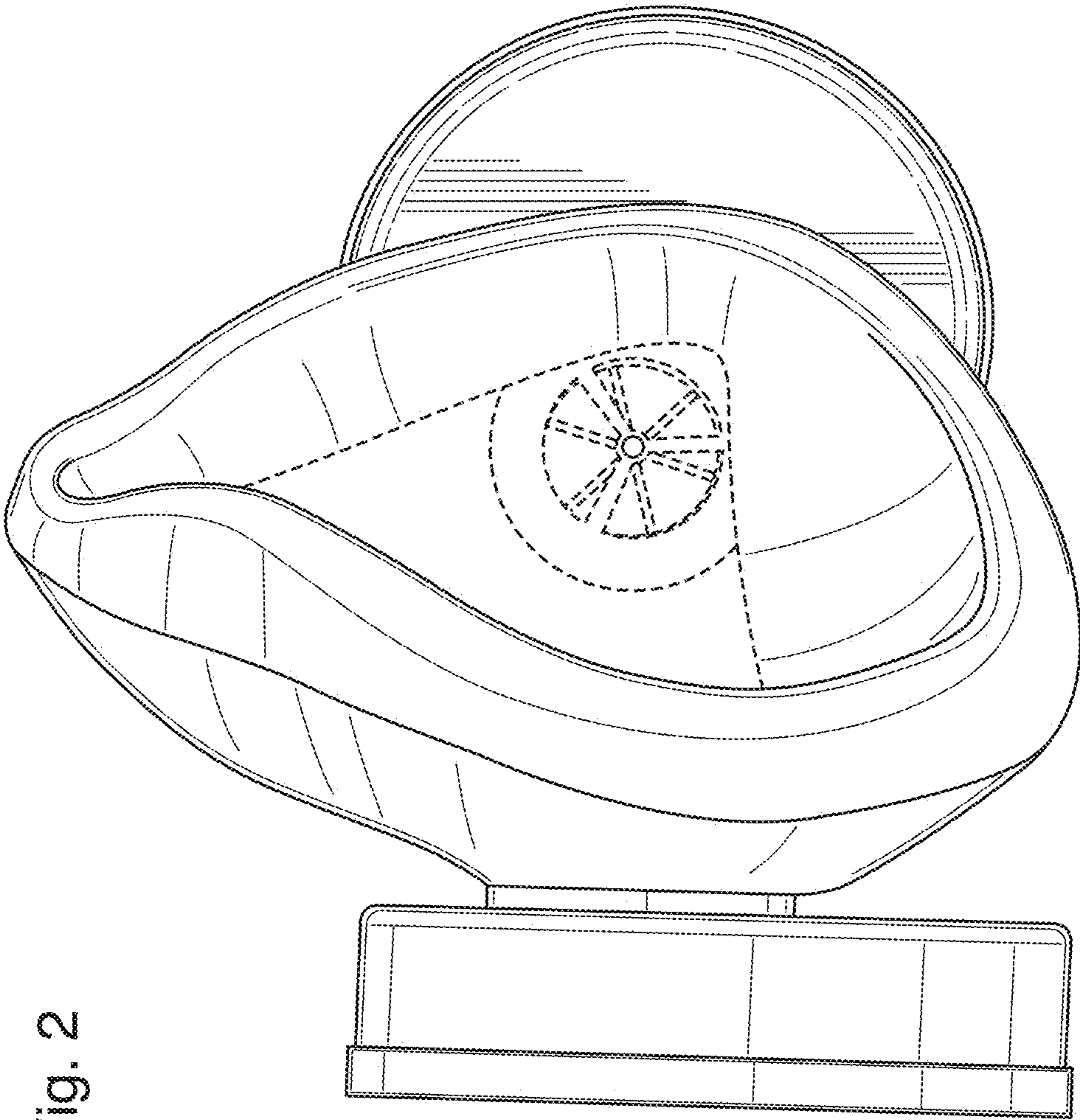


Fig. 2

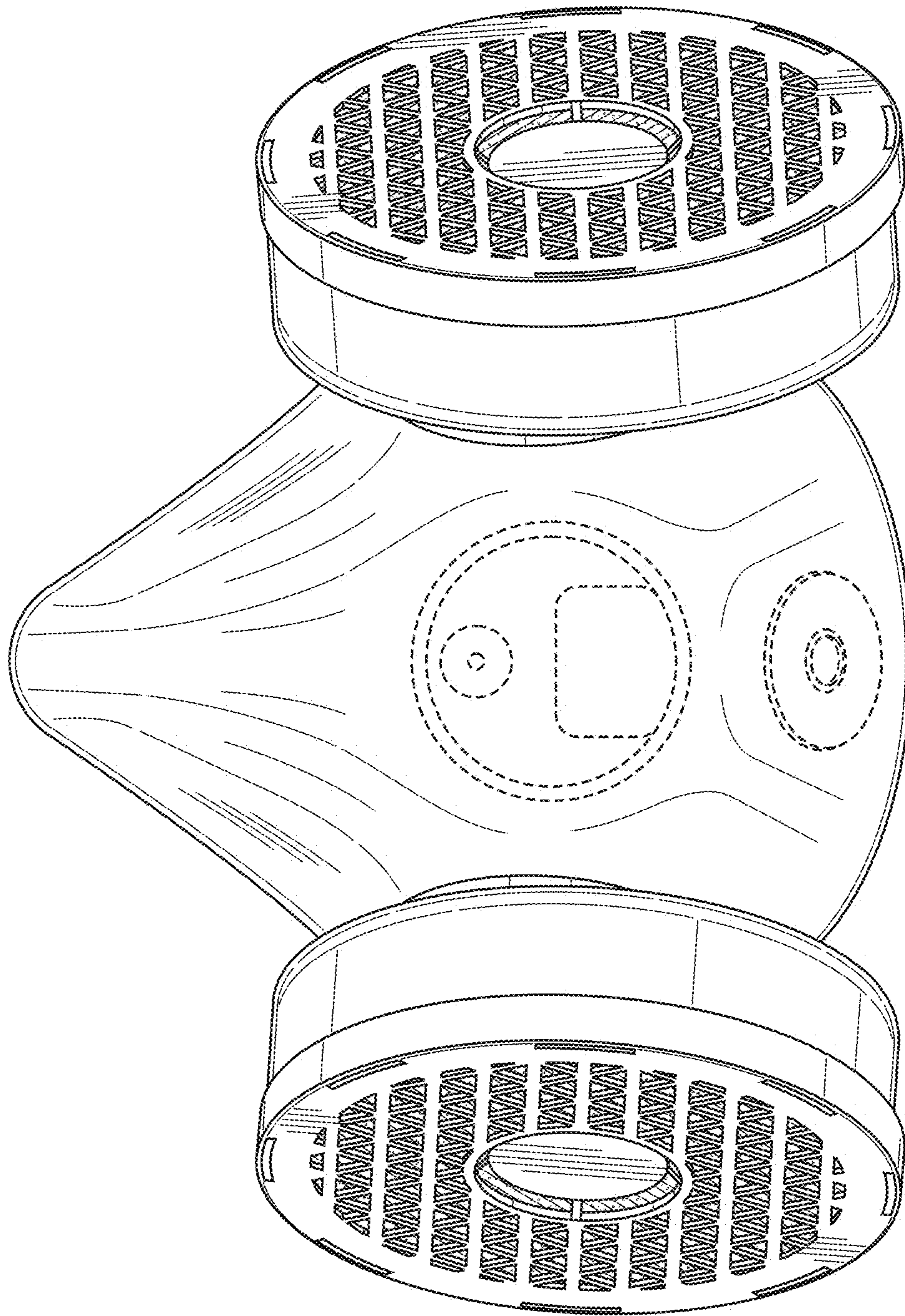


Fig. 3

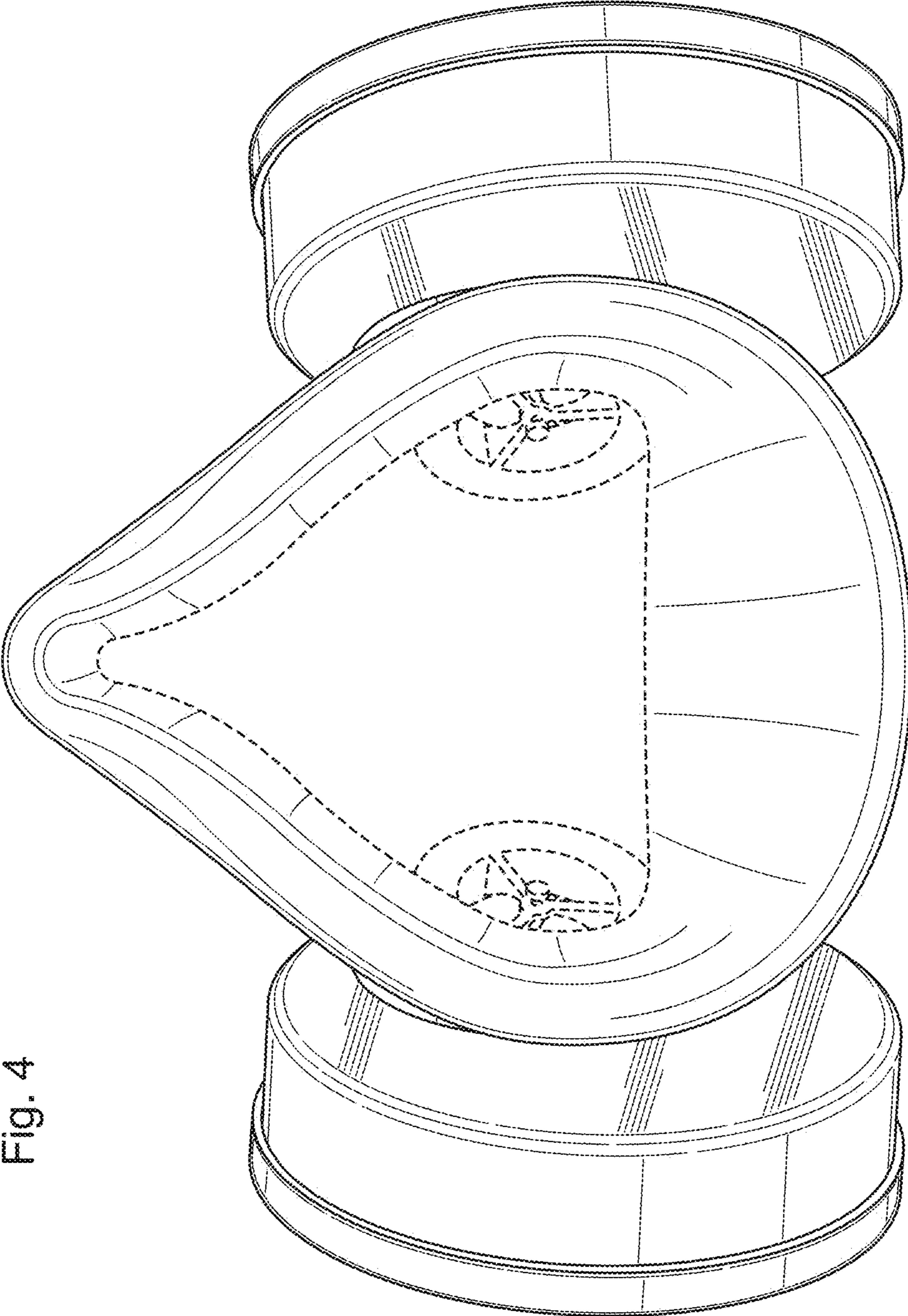


Fig. 4

Fig. 6

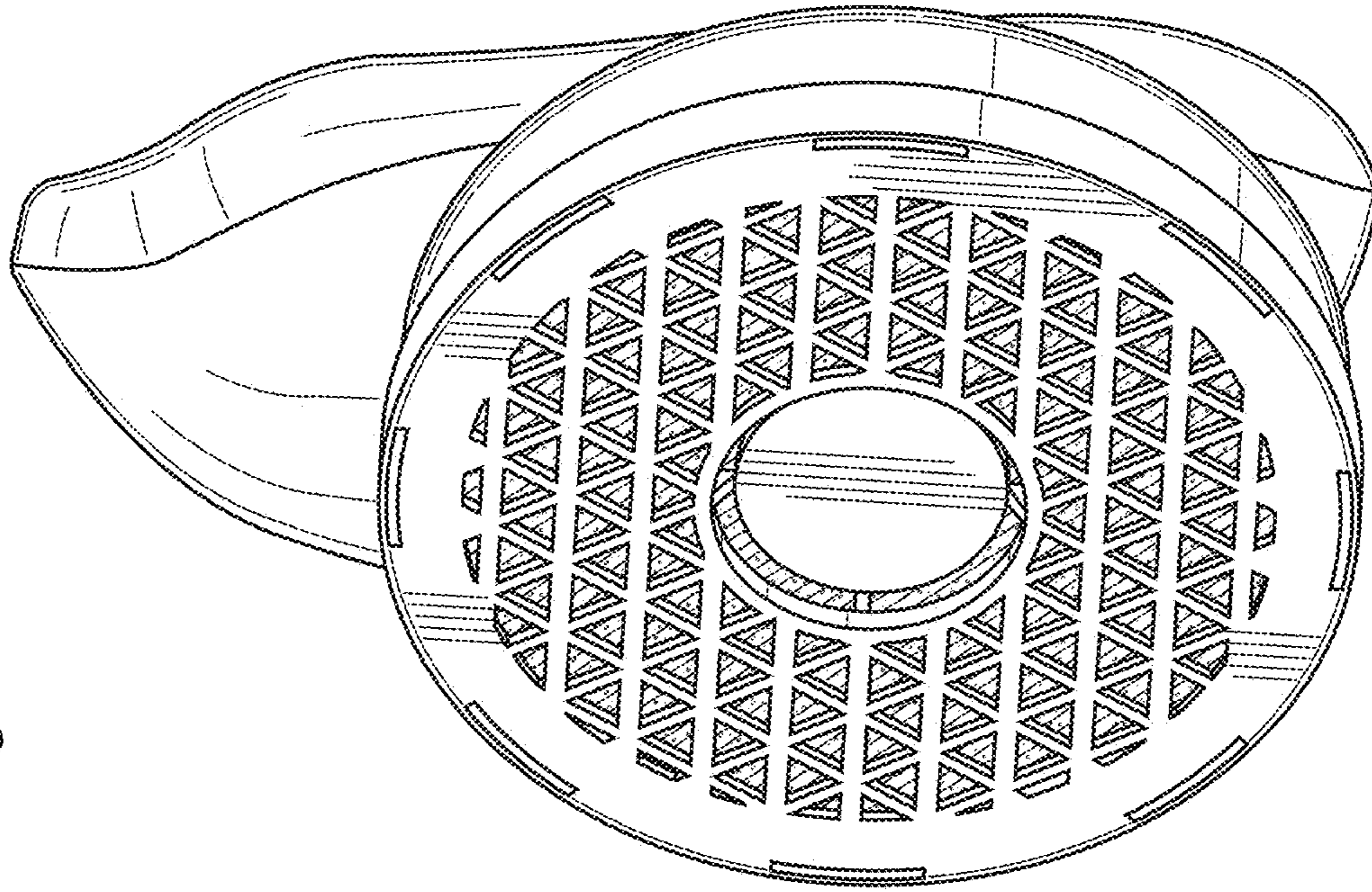


Fig. 5

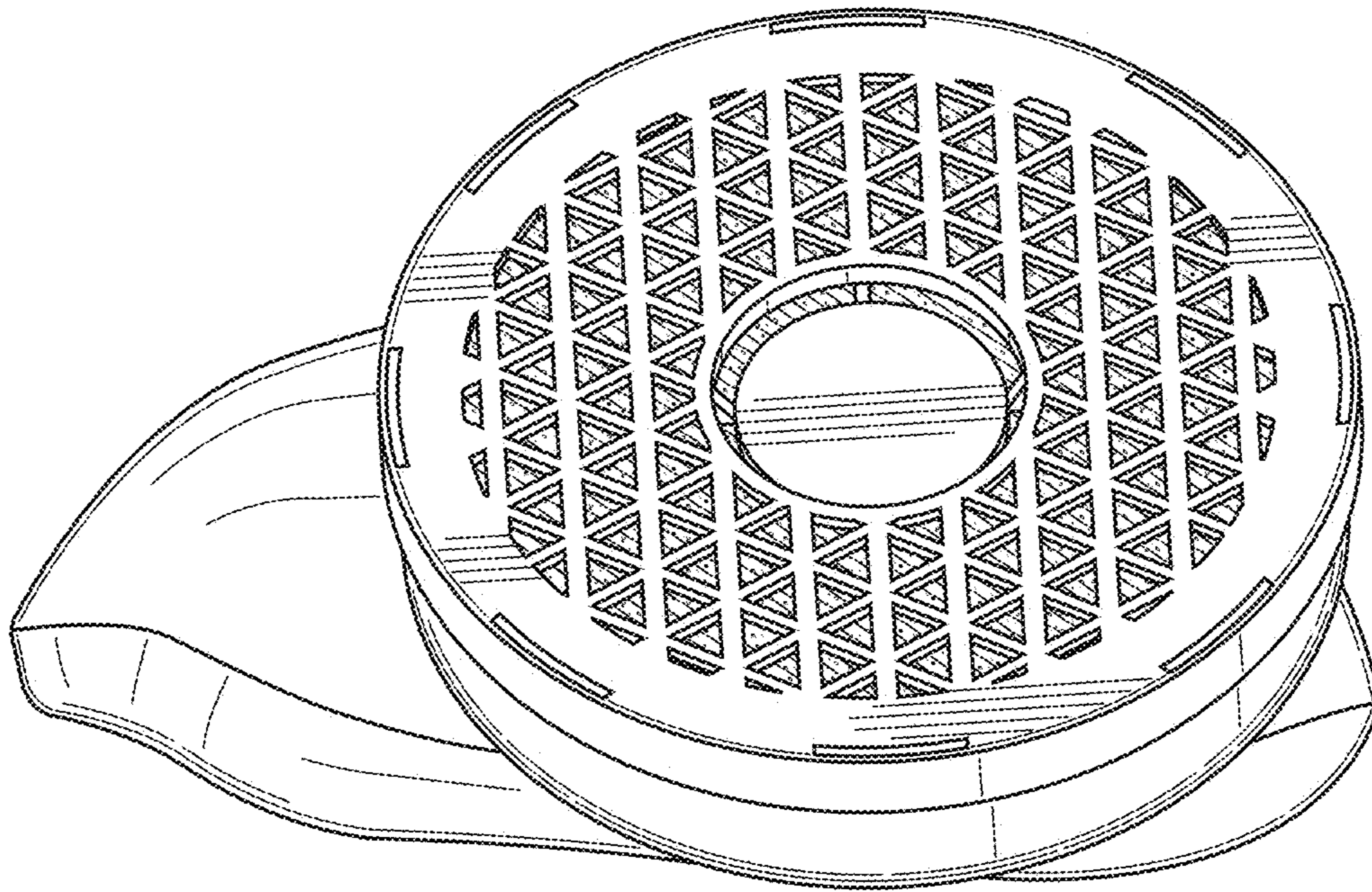
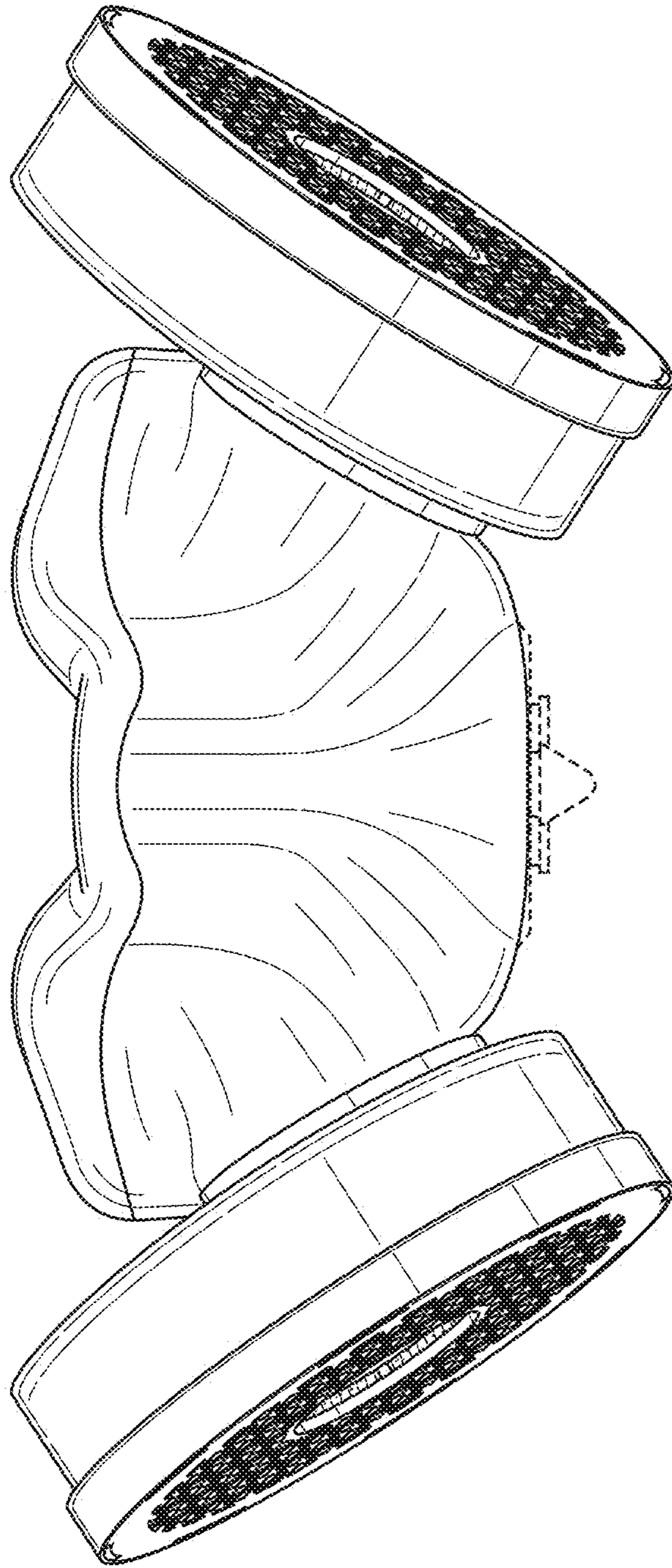


Fig. 7



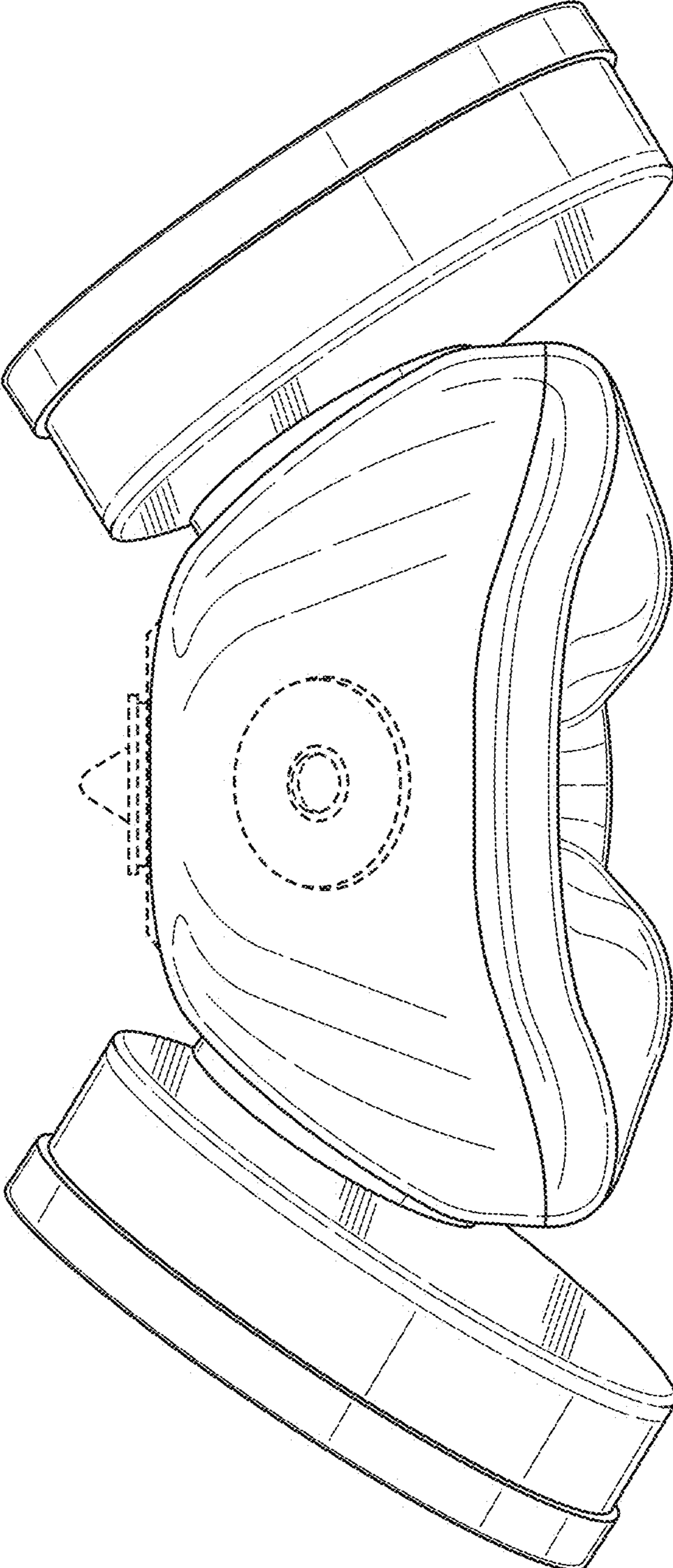


Fig.8