



US00D989943S

(12) **United States Design Patent** (10) **Patent No.:** **US D989,943 S**
O'Brien et al. (45) **Date of Patent:** **** Jun. 20, 2023**

(54) **NEBULIZER**

(71) Applicant: **MicroVapor Devices, LLC**, Columbia, SC (US)

(72) Inventors: **Terry O'Brien**, Columbia, SC (US);
Joey Vann, Columbia, SC (US)

(73) Assignee: **MicroVapor Devices, LLC**, Columbia, SC (US)

(**) Term: **15 Years**

(21) Appl. No.: **29/786,595**

(22) Filed: **Jun. 1, 2021**

Related U.S. Application Data

(60) Continuation of application No. 29/696,090, filed on Jun. 25, 2019, now Pat. No. Des. 921,184, which is a continuation of application No. 29/669,073, filed on Nov. 5, 2018, now Pat. No. Des. 856,508, which is a division of application No. 29/615,663, filed on Aug. 30, 2017, now Pat. No. Des. 837,364.

(51) **LOC (14) Cl.** **24-04**

(52) **U.S. Cl.**
USPC **D24/110**

(58) **Field of Classification Search**

USPC D24/107, 108, 110, 110.5, 164;
D23/356, 359, 360, 366
CPC A61M 15/00; A61M 15/0021; A61M 15/0026; A61M 15/0065; A61M 15/0085; A61M 15/0091; A61M 11/00; A61M 11/002; A61M 11/003; A61M 11/005; A61M 11/006; A61M 11/007; A61M 11/008; A61M 11/02; A61J 19/00; A61J 19/02

See application file for complete search history.

(56) **References Cited**

U.S. PATENT DOCUMENTS

D337,636 S 7/1993 Kocinski
5,452,711 A * 9/1995 Gault B05B 17/0607
128/200.14
D441,071 S * 4/2001 Attolini D24/110
D479,745 S * 9/2003 Albullet D24/110
D562,975 S * 2/2008 Otto D24/108
D657,045 S * 4/2012 Palmer-Felgate D24/110
D757,245 S 5/2016 Lee

(Continued)

FOREIGN PATENT DOCUMENTS

CN 306664970 * 7/2021

OTHER PUBLICATIONS

Pocket Neb Model: MVD-70 Instruction Manual (Rev 2) by Microvapor Devices. Publication date: Nov. 28, 2016. Retrieval date: Sep. 29, 2022. Retrieved from internet: https://www.microvapordevices.com/files/English-User_Instruction_Manual.pdf (Year: 2016).*

Primary Examiner — Daniel J Domino

Assistant Examiner — Lee D. Starr

(74) *Attorney, Agent, or Firm* — Bryan L. Baysinger; E. Eric Mills; Maynard Nexsen PC

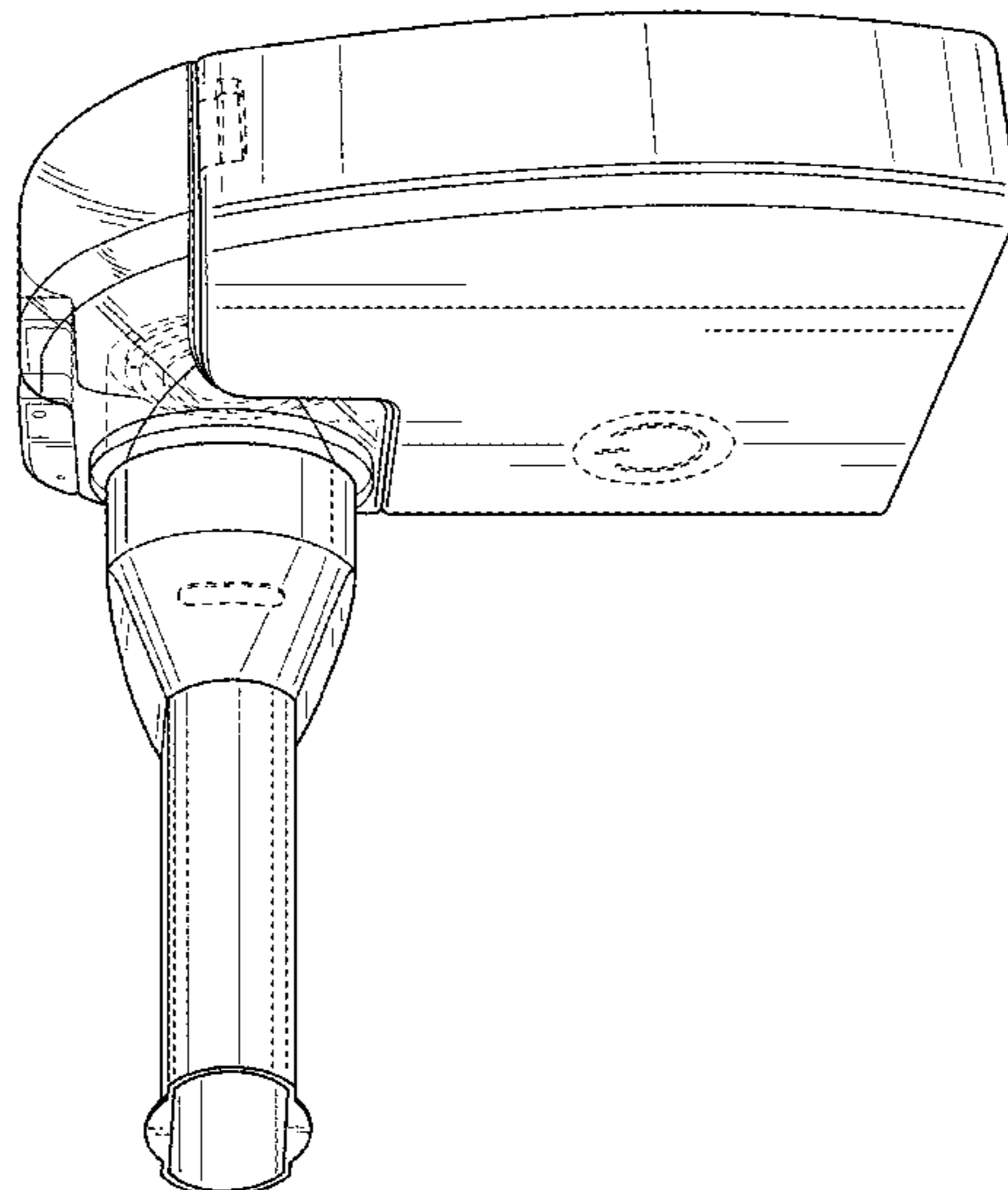
(57) **CLAIM**

The ornamental design for a nebulizer, as shown and described.

DESCRIPTION

FIG. 1 is a perspective view of a nebulizer, showing our new design;
FIG. 2 is a front elevation view thereof;
FIG. 3 is a rear elevation view thereof;
FIG. 4 is a right side elevation view thereof;
FIG. 5 is a left side elevation view thereof;
FIG. 6 is a top plan view thereof; and,
FIG. 7 is a bottom plan view thereof.
The broken lines illustrate portions of the article that form no part of the claimed design.

1 Claim, 7 Drawing Sheets



(56)

References Cited

U.S. PATENT DOCUMENTS

D835,260 S * 12/2018 Lisberg D24/110
D837,364 S 1/2019 O'Brien
D855,792 S * 8/2019 Toksoz D24/110
D856,508 S 8/2019 O'Brien
10,406,569 B2 9/2019 Cheng
D908,281 S * 1/2021 Folkerts D27/162
D910,163 S * 2/2021 Alizoti A63B 1/00
D24/110
2006/0000469 A1* 1/2006 Tseng A61M 15/00
128/200.14
2019/0099566 A1 4/2019 Gramann
2019/0299261 A1 10/2019 Cheng
2020/0022415 A1 1/2020 Guo
2020/0029624 A1 1/2020 Liu
2020/0030554 A1 1/2020 Zarogoulidis
2022/0249785 A1* 8/2022 Chang A61M 15/0065

* cited by examiner

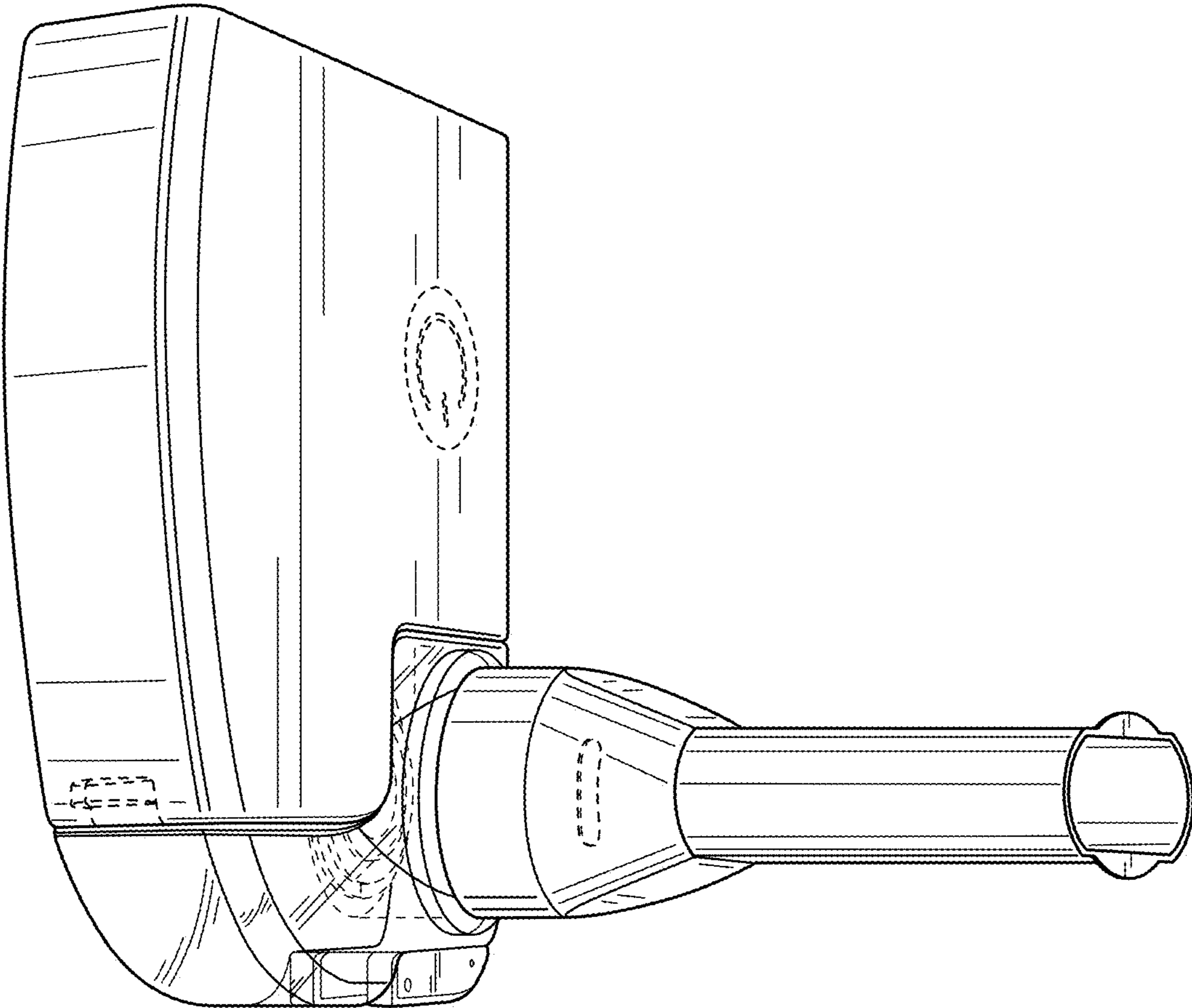


FIG.1

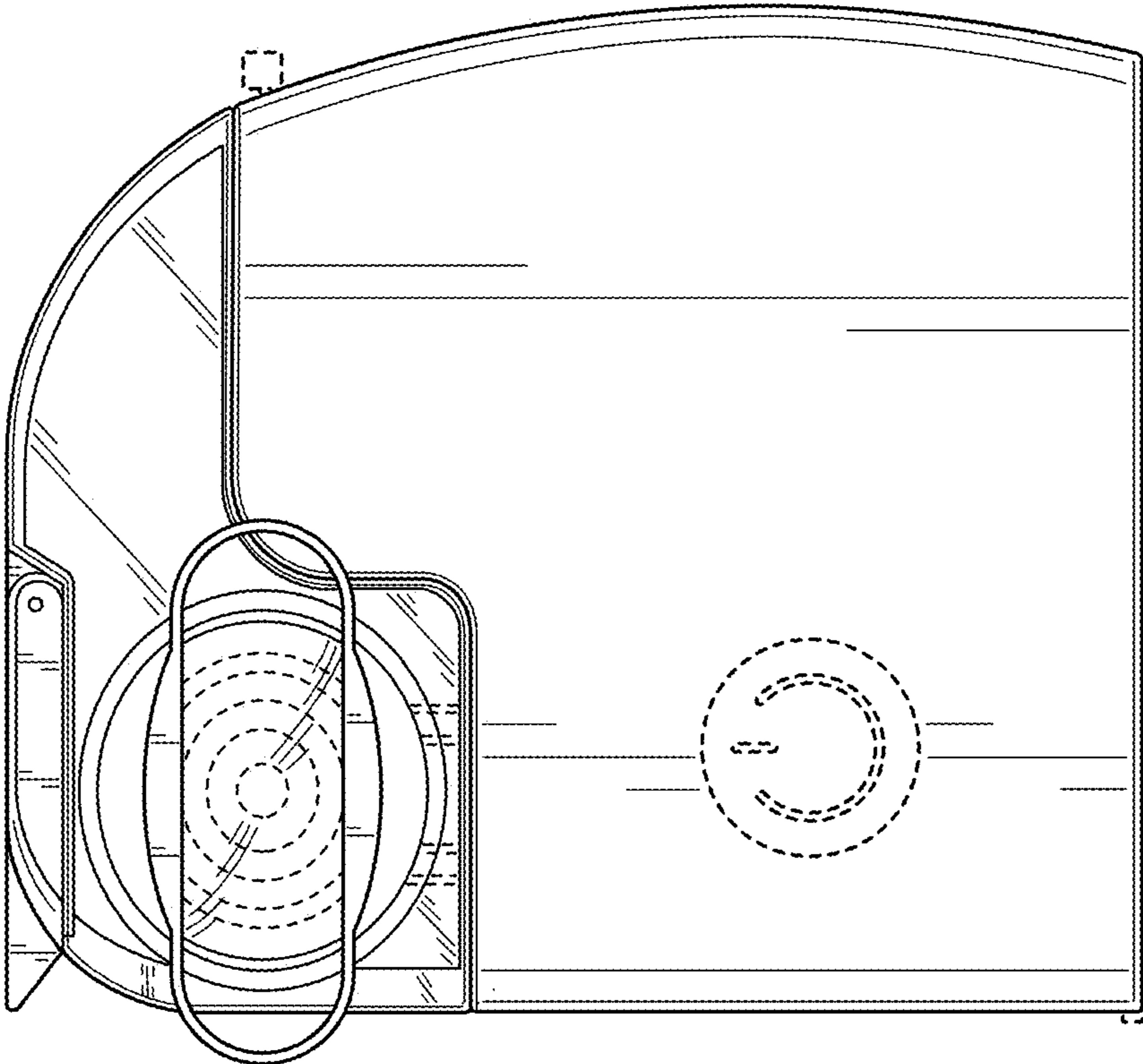


FIG.2

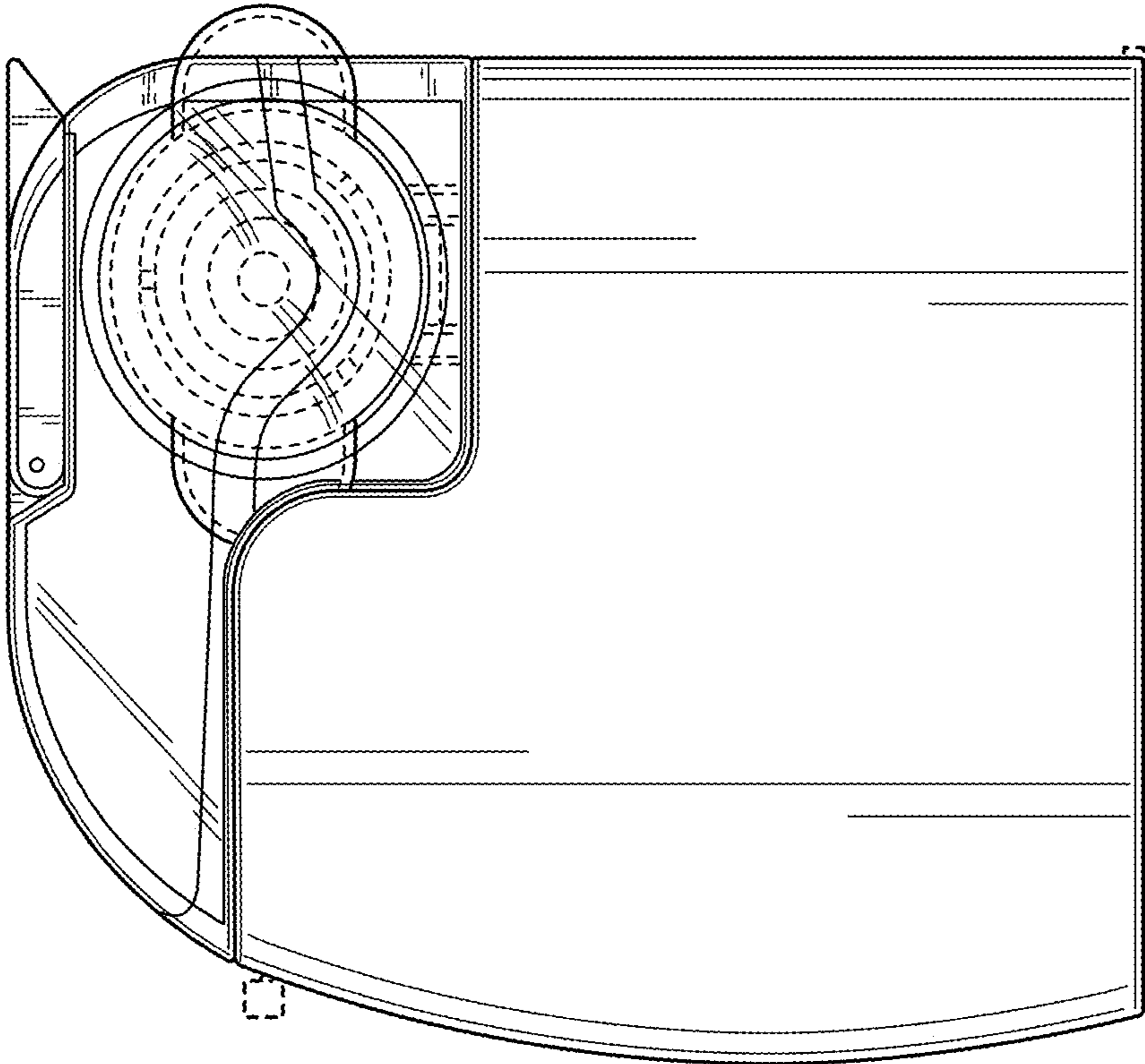


FIG.3

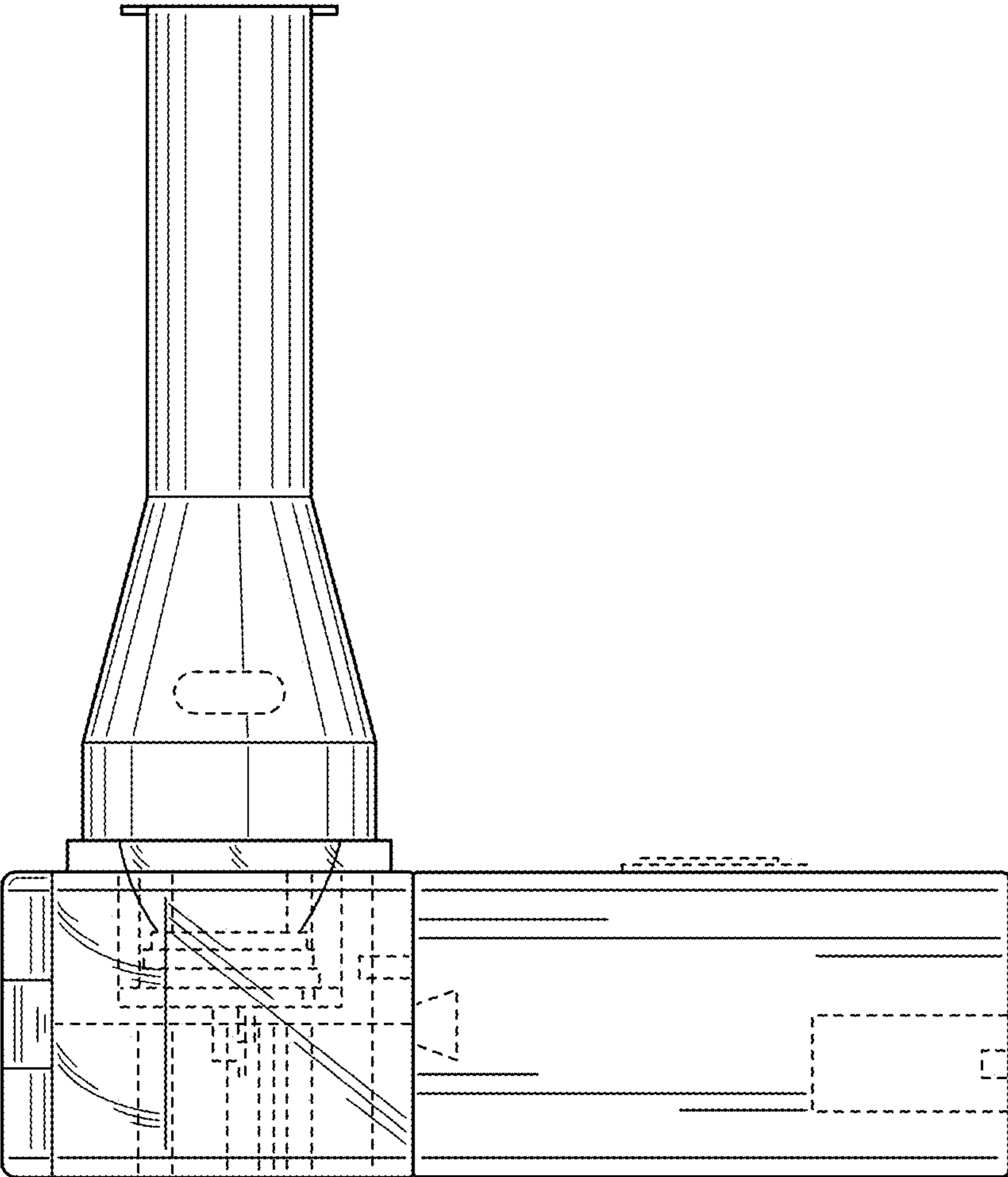


FIG.4

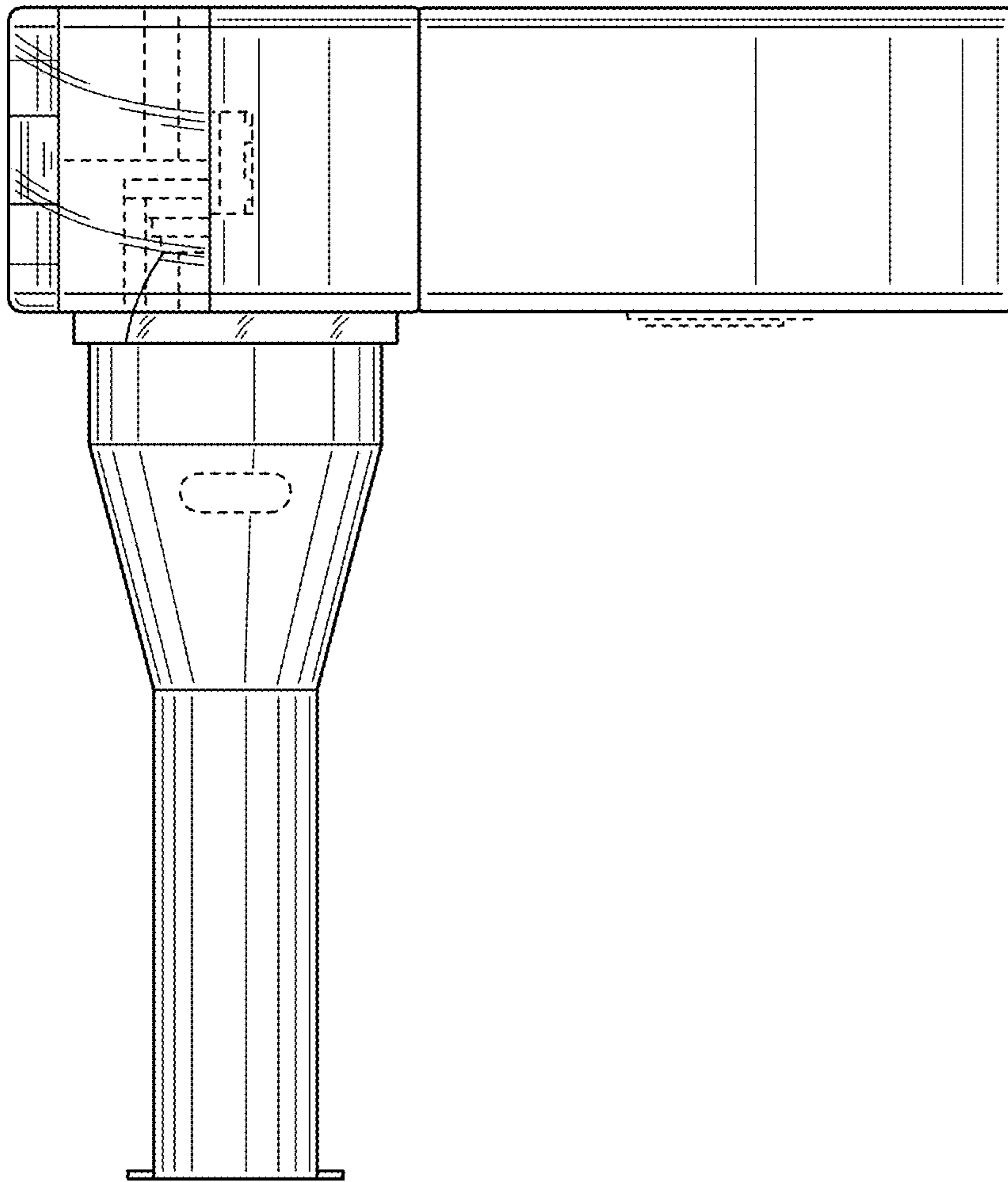


FIG. 5

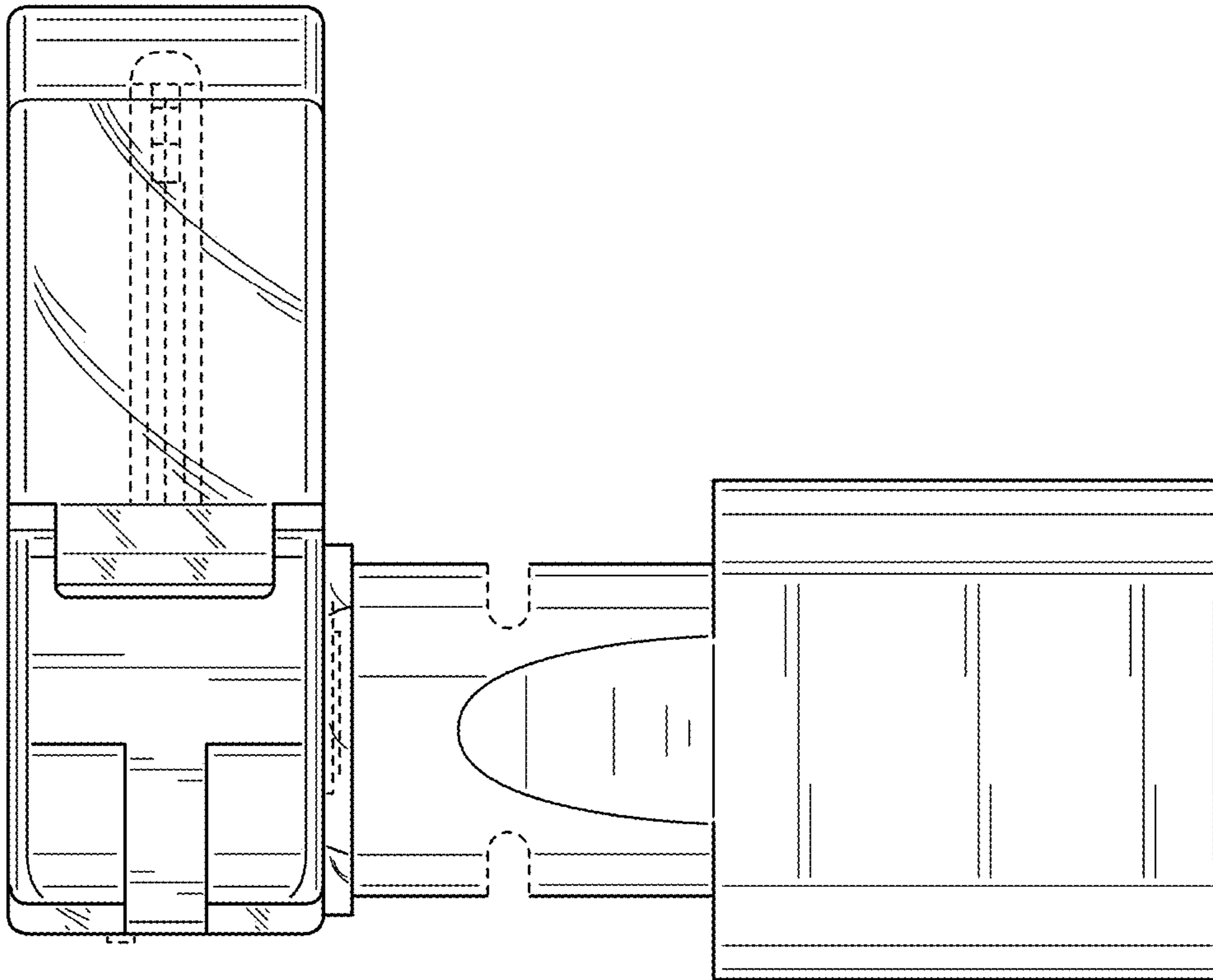


FIG.6

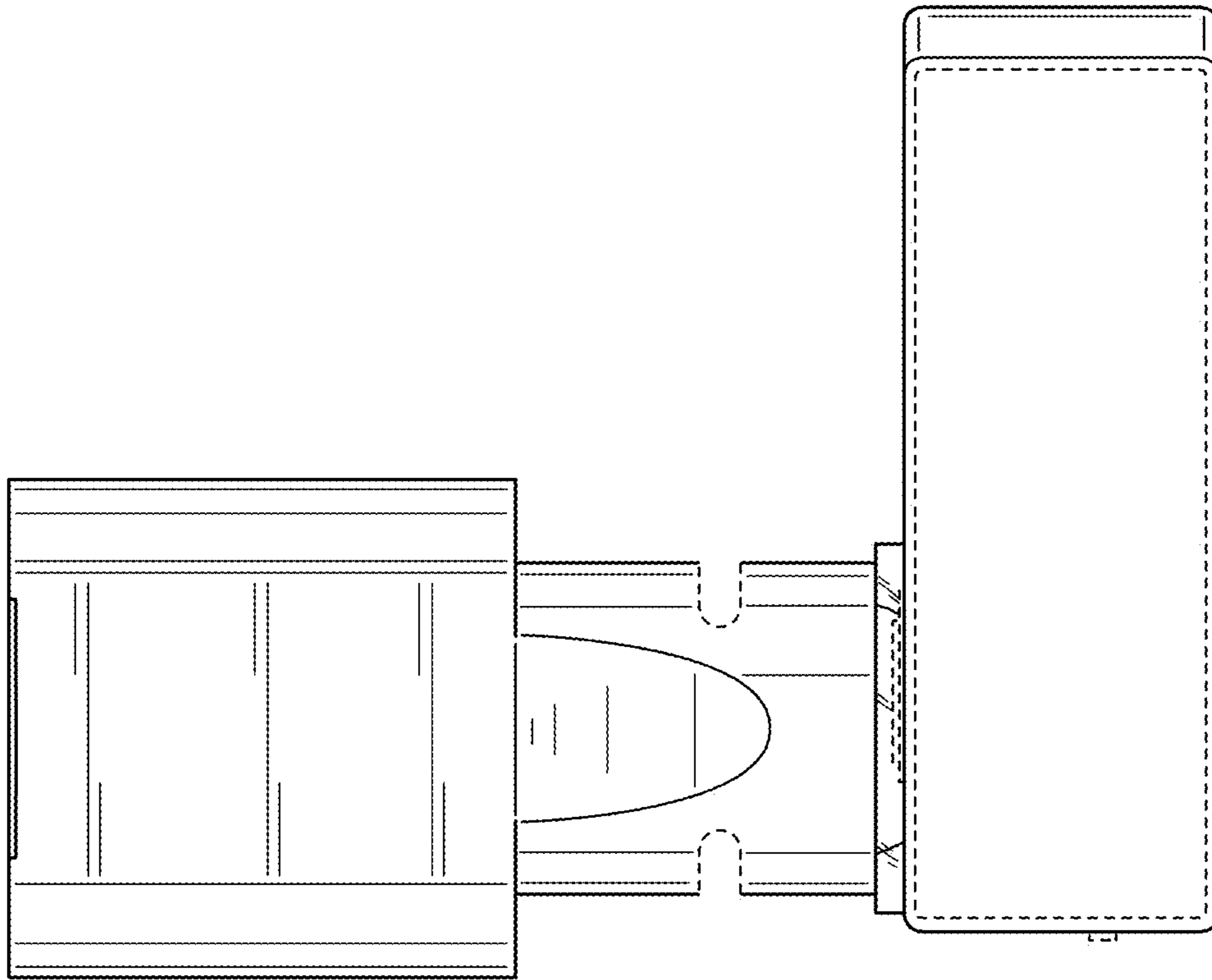


FIG. 7