



US00D989941S

(12) **United States Design Patent** (10) **Patent No.:** **US D989,941 S**
O’Connell et al. (45) **Date of Patent:** **** Jun. 20, 2023**

- (54) **CEILING FAN BLADE**
- (71) Applicant: **HUNTER FAN COMPANY**,
Memphis, TN (US)
- (72) Inventors: **Patrick R. O’Connell**, Germantown,
TN (US); **Claire Bernice McRoberts**,
La Jolla, CA (US)
- (73) Assignee: **Hunter Fan Company**, Memphis, TN
(US)

- D84,930 S 8/1931 Glatthar
- D94,780 S 3/1935 Strahmann
- D100,981 S 8/1936 Biller
- 2,962,583 A 11/1960 Balser
- 3,040,993 A 6/1962 Schultz
- D213,902 S 4/1969 Muller
- 3,480,148 A 11/1969 Bryand
- 3,725,714 A 4/1973 Anderson
- D234,221 S 1/1975 Upchurch
- D246,796 S 12/1977 Laymon et al.
- 4,073,598 A 2/1978 Mizutani et al.
- 4,281,370 A 7/1981 Masenheimer et al.

(Continued)

(**) Term: **15 Years**

FOREIGN PATENT DOCUMENTS

(21) Appl. No.: **29/767,665**

- IN 221863 9/2010
- IN 221861 10/2010

(22) Filed: **Jan. 25, 2021**

OTHER PUBLICATIONS

Related U.S. Application Data

(60) Division of application No. 29/721,622, filed on Jan. 22, 2020, now Pat. No. Des. 911,511, which is a continuation of application No. 29/612,219, filed on Jul. 31, 2017, now Pat. No. Des. 876,609, which is a division of application No. 29/557,301, filed on Mar. 8, 2016, now Pat. No. Des. 801,510.

<http://www.minkagroup.net/products/f582-gl>, Rainman, F582-GL, accessed Mar. 8, 2016.

(Continued)

(51) **LOC (14) Cl.** **23-03**

Primary Examiner — Sharon S Oum

(52) **U.S. Cl.**

(74) *Attorney, Agent, or Firm* — McGarry Bair PC

USPC **D23/413**

(58) **Field of Classification Search**

USPC D23/370, 377, 379, 385, 411, 413
CPC F04D 25/088; F04D 29/38; F04D 29/384;
F04D 29/386; F21V 33/0096

See application file for complete search history.

(57) **CLAIM**

The ornamental design for a ceiling fan blade, as shown and described.

DESCRIPTION

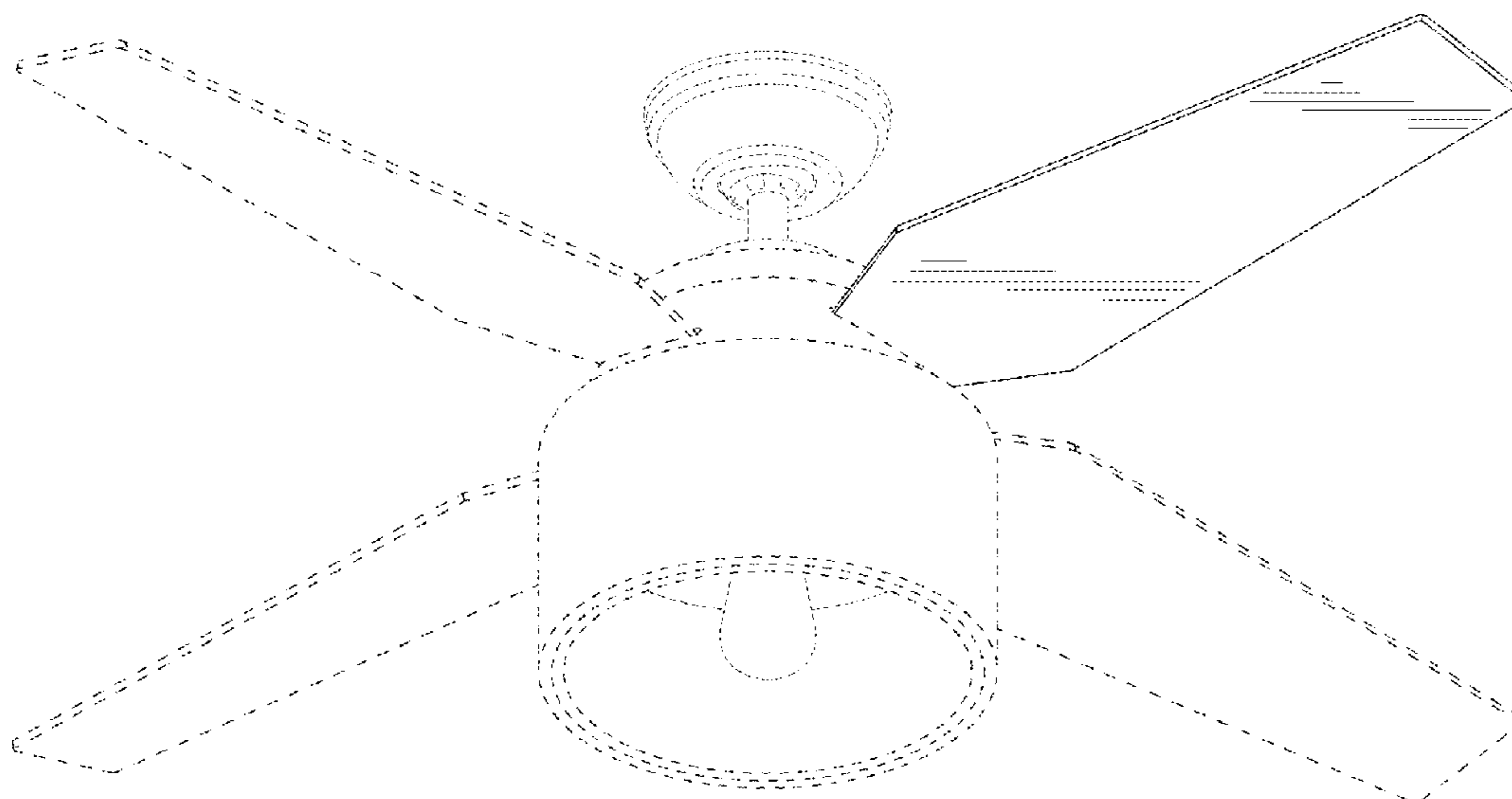
(56) **References Cited**

U.S. PATENT DOCUMENTS

- D51,971 S 4/1918 Murphy
- 1,397,453 A 11/1921 Rekar
- D63,887 S 2/1924 Dickerson
- D64,122 S 3/1924 Mathieu
- D84,909 S 8/1931 Winkler

FIG. 1 is a top perspective view of a ceiling fan blade in the environment of a ceiling fan, showing our new design; FIG. 2 is a bottom perspective view thereof; FIG. 3 is a top view thereof; FIG. 4 is a bottom view thereof; and, FIG. 5 is a side view thereof. The broken lines illustrate portions of the ceiling fan that form no part of the claimed design.

1 Claim, 5 Drawing Sheets



(56)

References Cited

U.S. PATENT DOCUMENTS

D277,511 S 2/1985 Patel
 D283,054 S 3/1986 Altman
 4,683,523 A 7/1987 Olsson et al.
 D293,029 S 12/1987 Shwisha
 5,077,825 A 12/1991 Monroe
 D333,529 S 2/1993 Denison et al.
 D341,419 S 11/1993 Taylor, III
 D344,130 S 2/1994 Craig
 D353,904 S 12/1994 Swanson
 D361,148 S 8/1995 Wedell
 5,649,761 A 7/1997 Sandell et al.
 D388,871 S 1/1998 Gee, II
 D394,103 S 5/1998 Lee
 D414,857 S 10/1999 Zuege
 D420,120 S 2/2000 Evans
 D431,092 S 9/2000 Hiller et al.
 D438,951 S 3/2001 Dolan
 D441,486 S 5/2001 Hsing
 D465,867 S 11/2002 Ward
 D497,226 S 10/2004 Nauert
 D499,502 S 12/2004 Kelly
 D519,200 S 4/2006 Young
 D530,004 S 10/2006 Curtin
 D535,014 S 1/2007 Pickett
 D546,994 S 7/2007 Wachter
 D549,315 S 8/2007 Gajewski
 D553,787 S 10/2007 Hammond
 D557,787 S 12/2007 Gajewski
 D564,120 S 3/2008 Layne et al.
 D576,340 S 9/2008 Wanders
 7,484,863 B1 2/2009 Aubrey
 D599,473 S 9/2009 Klausing et al.
 D599,474 S 9/2009 Klausing et al.
 D601,240 S 9/2009 Klausing et al.
 7,699,487 B2 4/2010 Schafer
 D620,188 S 7/2010 Sabernig
 D622,895 S 8/2010 Lyons
 D628,688 S 12/2010 Pan
 D631,598 S 1/2011 Kondo
 D632,780 S 2/2011 Pan
 D635,710 S 4/2011 Jean
 D716,436 S 10/2014 Johnson
 D744,082 S 11/2015 Wang
 D760,368 S 6/2016 Chen
 D801,510 S 10/2017 O'Connell et al.
 D804,629 S * 12/2017 McRoberts D23/377
 D804,630 S * 12/2017 Holmes F04D 25/088
 D26/59
 D804,648 S * 12/2017 McRoberts D23/413

D810,915 S 2/2018 Guthrie et al.
 D810,920 S 2/2018 Haggar
 D816,204 S 4/2018 McRoberts
 D876,609 S 2/2020 O'Connell et al.
 D879,941 S * 3/2020 McRoberts D23/413
 D902,377 S * 11/2020 Norwood D23/413
 D903,851 S * 12/2020 McRoberts F04D 25/088
 D23/413
 D911,511 S * 2/2021 O'Connell D23/377
 D931,507 S * 9/2021 Domingo F21L 4/00
 D26/37
 D938,012 S * 12/2021 McRoberts D23/413

OTHER PUBLICATIONS

<http://www.montecarlofans.com/38110/52-Nikki---Polished-Nickel-5NKR52PND.html>, 52" Nikki—Polished Nickel, 5NKR52PND, accessed Mar. 8, 2016.
<http://www.montecarlofans.com/32989/52-Morton-Oil-Can--5MB52OND.html>, 52" Morton—Oil Can, 5MB52OND, accessed Mar. 8, 2016.
<http://www.hunterfan.com/Ceiling-Fans/Landsdowne?ModelNumber=59172>, Landsdown—52" Ceiling Fan, 59172, accessed Mar. 8, 2016.
<http://www.craftmade.com/Craftmade-KAP54BNK3-Nickel-Ceiling-Fan.HTM>, Craftmade—KAP54BNK3—Kapiz 54" Ceiling Fan Blades Included in Brushed Polished Nickel with Capiz Shell, KAP54BNK3, accessed Mar. 8, 2016.
 Hampton Bay Marlton 52 In. Oil Rubbed Bron 17x52wx52d Rubbed Bronze, date first available Oct. 5, 2012, amazon.com, site visited Jun. 22, 2017, Copyright © 1996-2017, Available from Internet, <https://www.amazon.com/Marlton-Oil-Rubbed-Bronze/dp/B009M9AJPQ/ref=sr_1_1?ie=UTF8&qid=1498142645&sr=8-1&keywords=hampton+bay+marlton>.
 Adding a Drum Shade to a Ceiling Fan, date first available Jan. 14, 2013, westermanfam.blogspot.com, site visited Jun. 22, 2017, Available from Internet, <<http://westermanfam.blogspot.com/2013/01/adding-drum-shade-to-ceiling-fan.html>>.
 Craftmade P760GTPAB1 1 Light Mini Pendant Incandescent, Gold Twilight/Patina Aged Brass, date first available Mar. 2, 2017, amazon.com, site visited Jun. 22, 2017, Available from Internet, <https://www.amazon.com/Craftmade-P760GTPAB1-Pendant-Incandescent-Twilight/dp/B06XDM88W2/ref=sr_1_1?s=hi&ie=UTF8&qid=1498066588&sr=1-1&keywords=craftmade+1+Light>.
 Large Dark Grey Plant Pots Set Of Two, date posted unknown, site visited Apr. 13, 2018, <<https://www.grahamandgreen.co.uk/large-dark-grey-plant-pots-set-of-2>>.

* cited by examiner

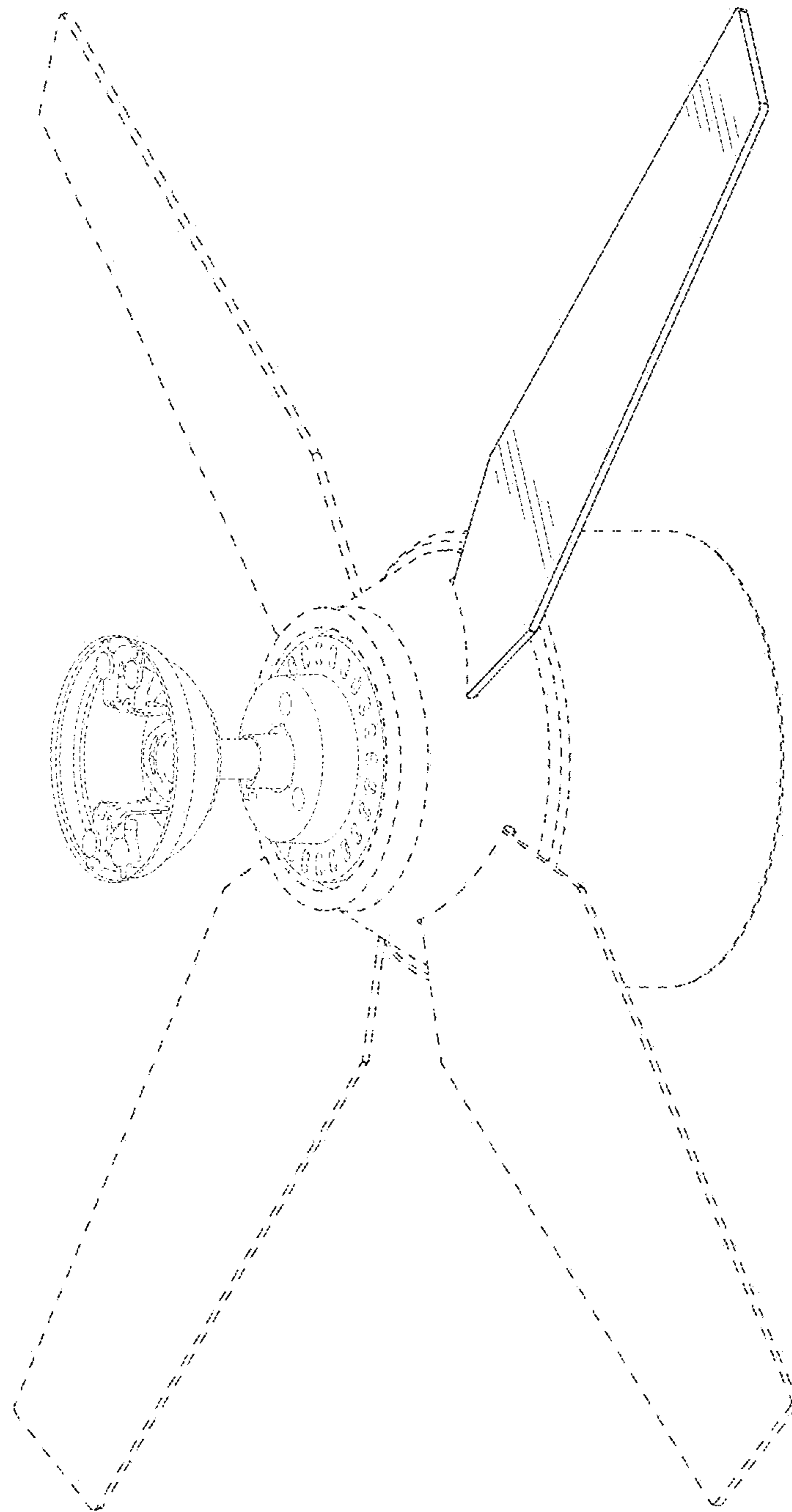


FIG. 1

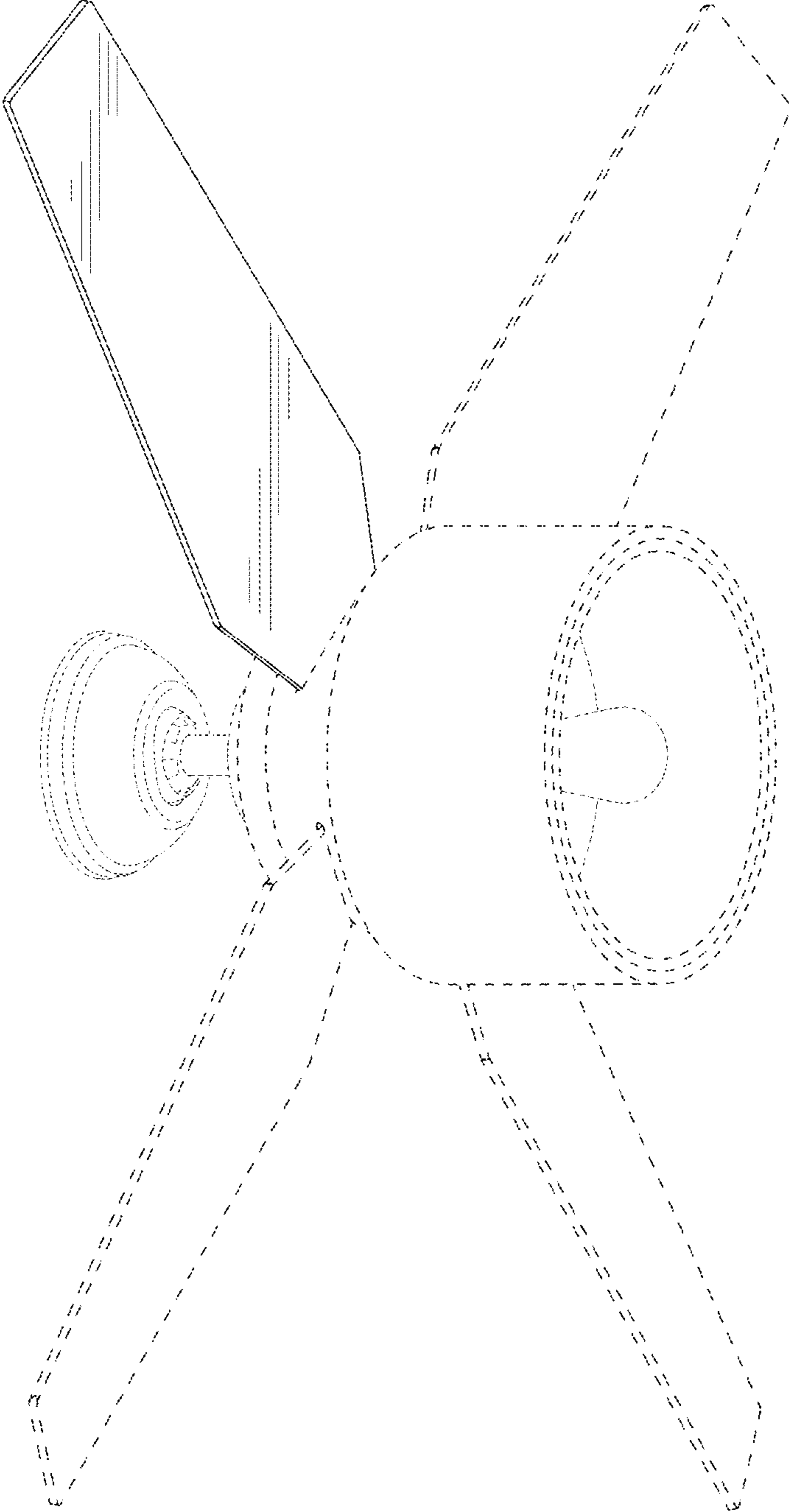


FIG. 2

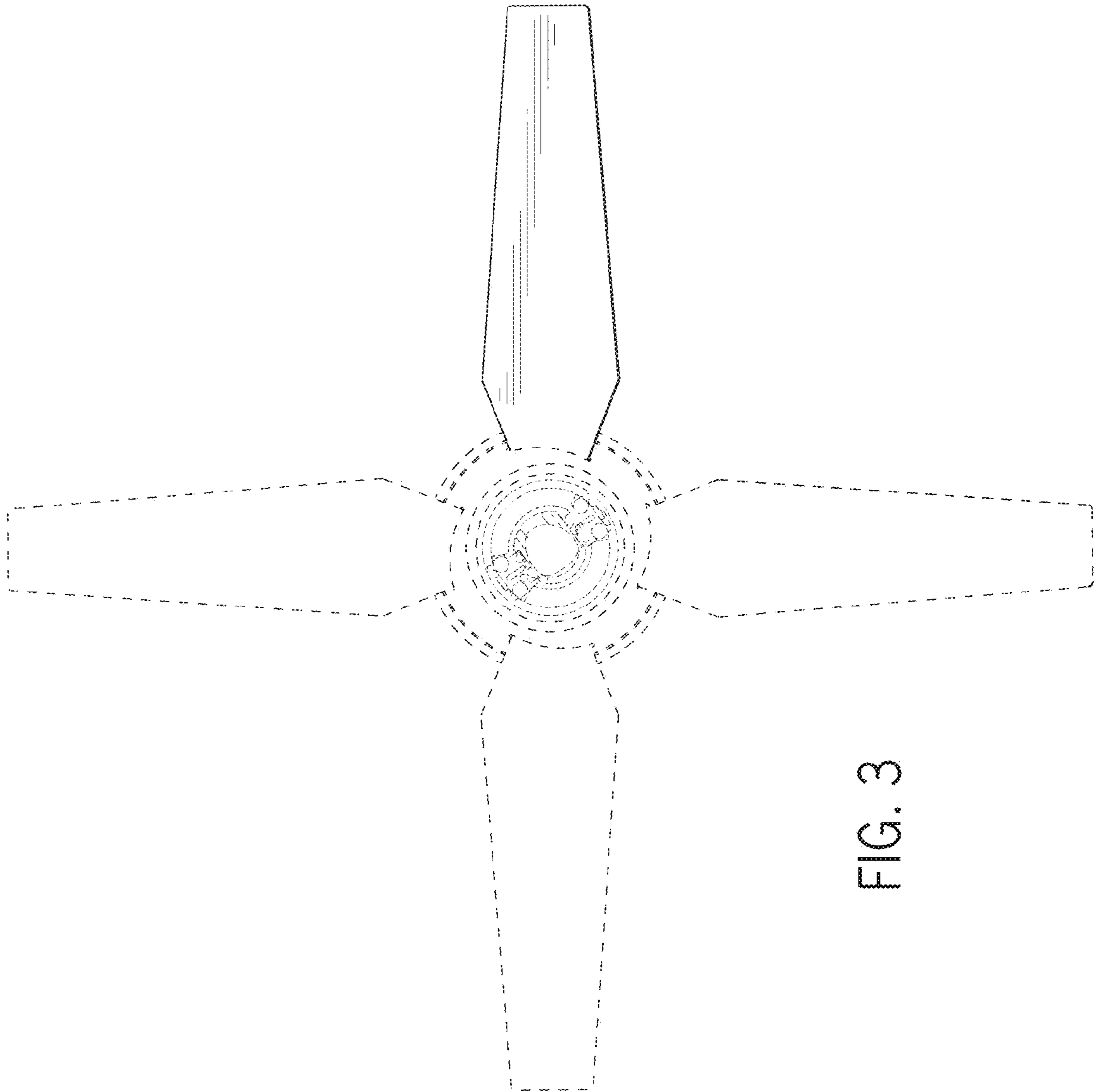


FIG. 3

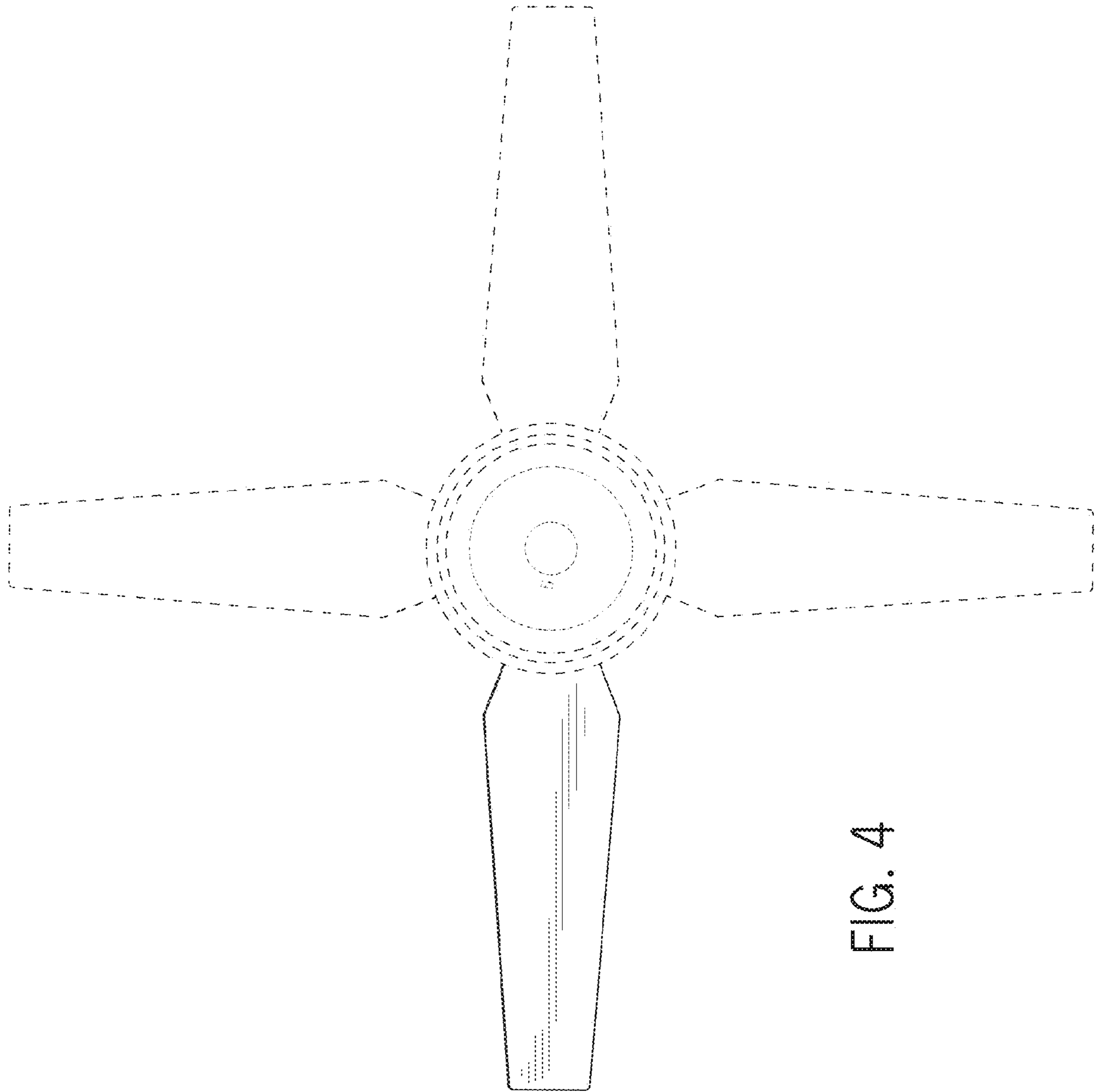


FIG. 4

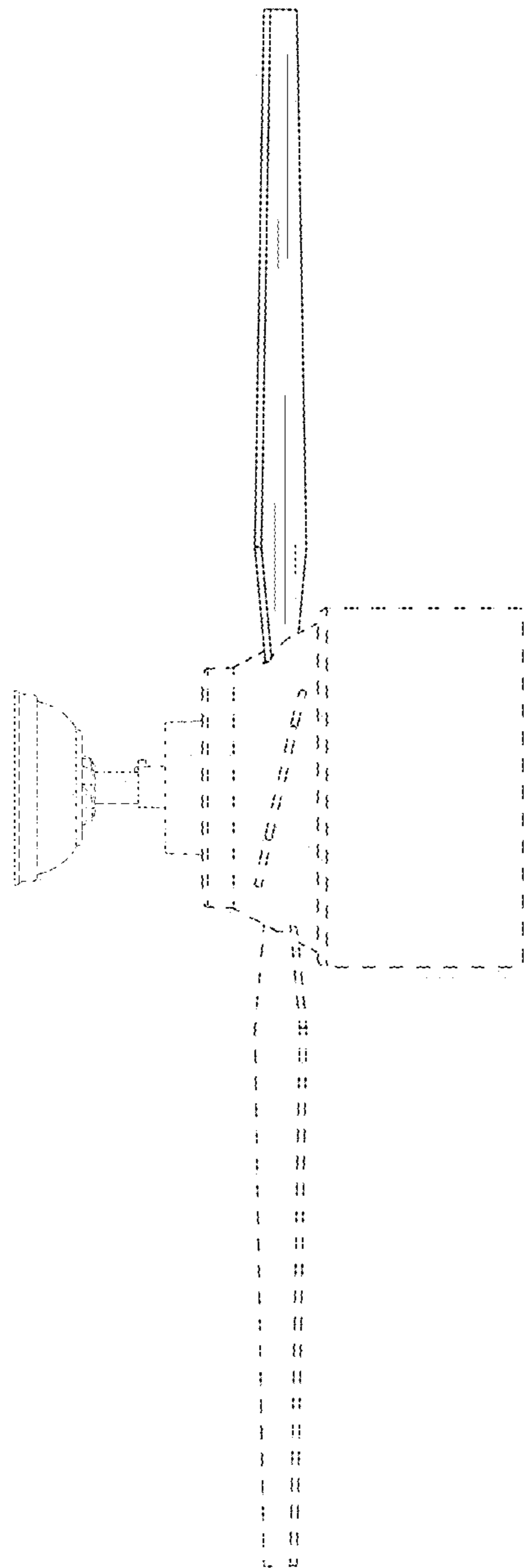


FIG. 5