



US00D989939S

(12) **United States Design Patent**
Tipton

(10) **Patent No.:** **US D989,939 S**

(45) **Date of Patent:** **** Jun. 20, 2023**

- (54) **BASIN**
- (71) Applicant: **Component Manufacturing Corporation, Conroe, TX (US)**
- (72) Inventor: **Tyson Tipton, New Waverly, TX (US)**
- (73) Assignee: **Component Manufacturing Corp., Conroe, TX (US)**
- (**) Term: **15 Years**
- (21) Appl. No.: **29/796,085**

- 6,868,689 B1 * 3/2005 McNeil F24F 13/222
62/288
- D555,780 S * 11/2007 Wanninger D23/393
- D588,256 S * 3/2009 Daniels D23/373
- 8,104,634 B2 1/2012 Gregg
- D653,745 S 2/2012 Gregg
- D663,020 S * 7/2012 Purnell D23/386
- 8,690,001 B1 * 4/2014 Liao F16N 31/002
220/504
- D720,447 S * 12/2014 Korda F16N 31/002
D23/386
- D812,216 S * 3/2018 Langford D23/393
- D917,676 S * 4/2021 Freeman D23/207
- D951,426 S * 5/2022 Butters D23/393

* cited by examiner

- (22) Filed: **Jun. 22, 2021**
- (51) **LOC (14) Cl.** **23-04**
- (52) **U.S. Cl.**
USPC **D23/386**
- (58) **Field of Classification Search**
USPC D23/386, 393, 370, 373, 351, 354, 259,
D23/200; D24/121, 123; D15/150
CPC . F24H 9/17; F24H 9/16; F16N 31/002; F16N
31/004; F16N 31/006
See application file for complete search history.

Primary Examiner — David G Muller

(74) *Attorney, Agent, or Firm* — Withers Bergman, LLP;
Phillip Black

(57) **CLAIM**

The ornamental design for a basin, as shown and described.

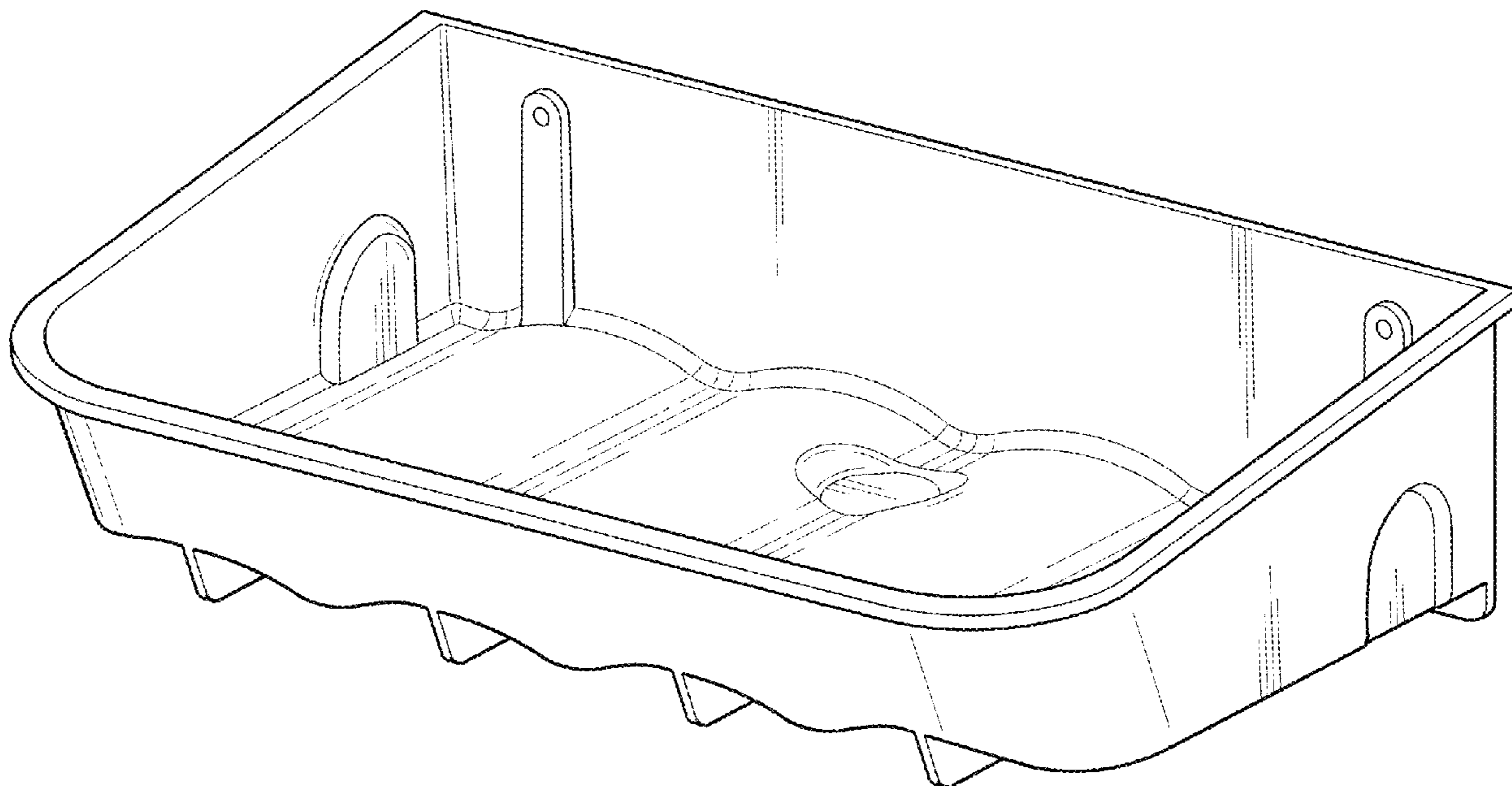
DESCRIPTION

FIG. 1 is a perspective view of the basin;
 FIG. 2 is another perspective view thereof;
 FIG. 3 is a top view thereof;
 FIG. 4 is a front view thereof;
 FIG. 5 is a back view thereof;
 FIG. 6 is a side view thereof; and,
 FIG. 7 is a bottom view thereof.

The contrast in shading represents a contrast in appearance only and does not represent any particular color, material, texture or finish.

1 Claim, 5 Drawing Sheets

- (56) **References Cited**
U.S. PATENT DOCUMENTS
- D248,637 S * 7/1978 Bishop D15/152
- D295,313 S * 4/1988 Barnett D25/60
- D296,466 S * 6/1988 Gratton D23/386
- D296,584 S * 7/1988 Hilton D23/370
- D318,109 S * 7/1991 Sullivan D23/354
- D372,968 S * 8/1996 White D23/386
- D380,259 S * 6/1997 Artz D23/370
- D485,283 S * 1/2004 Shuck D15/89



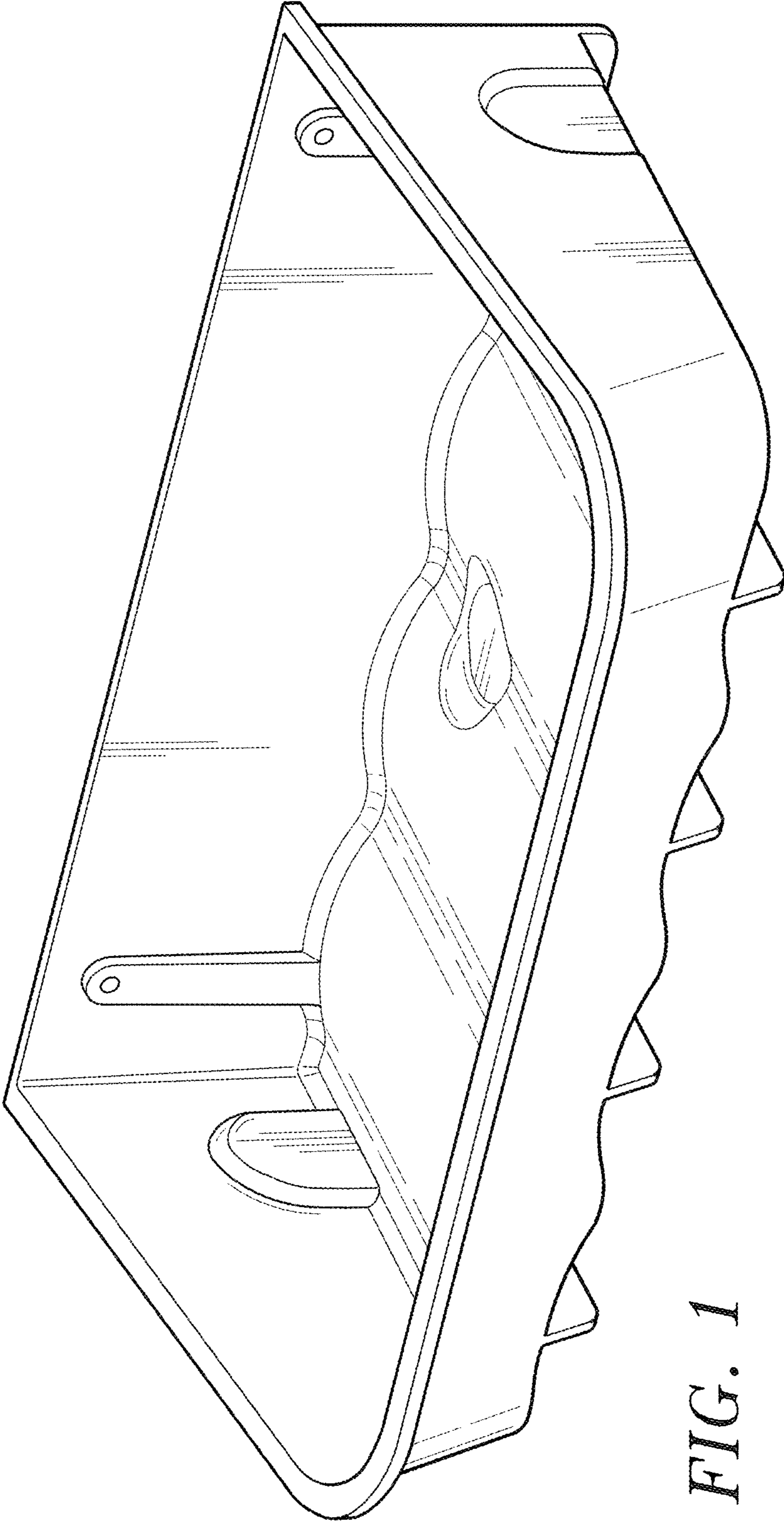


FIG. 1

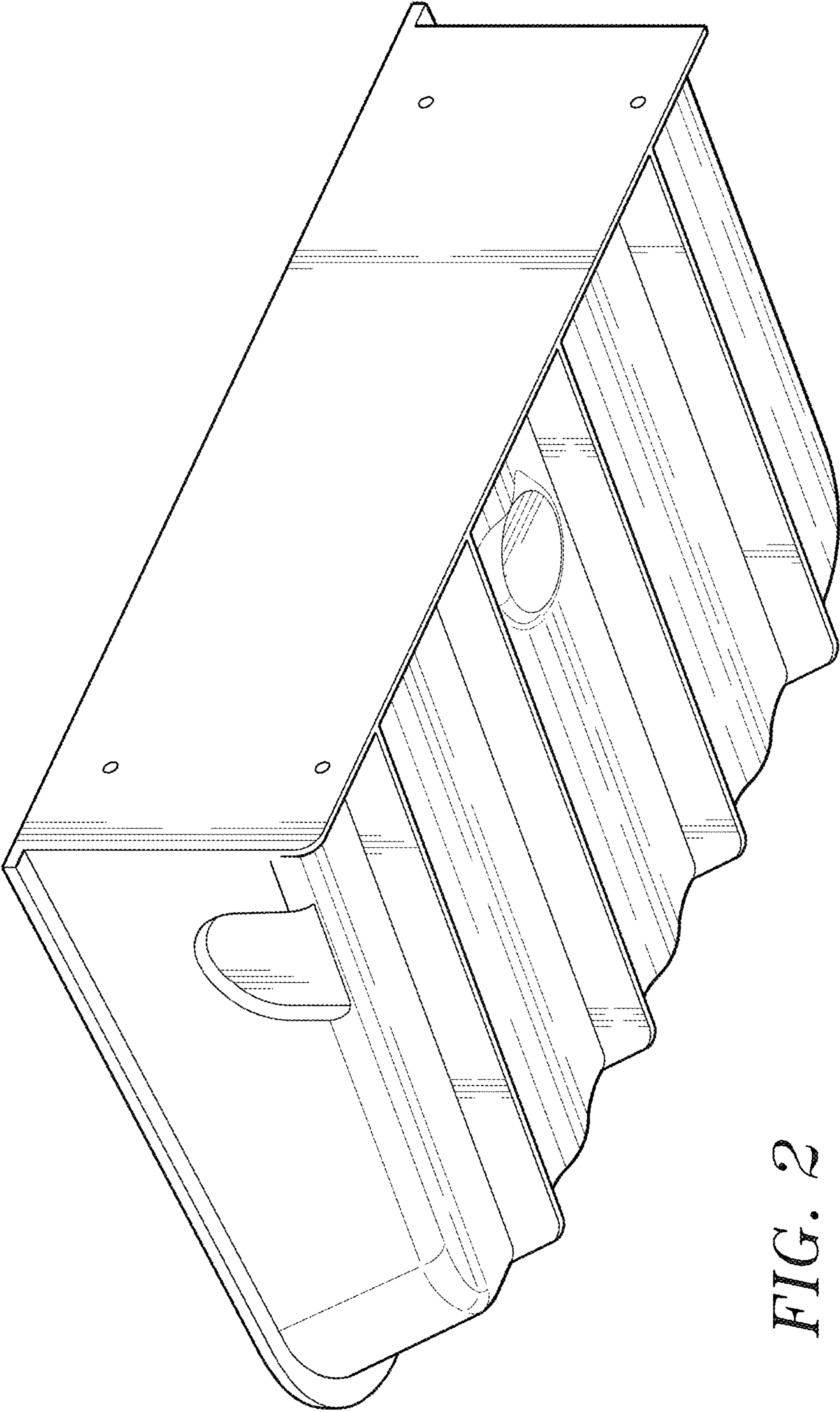


FIG. 2

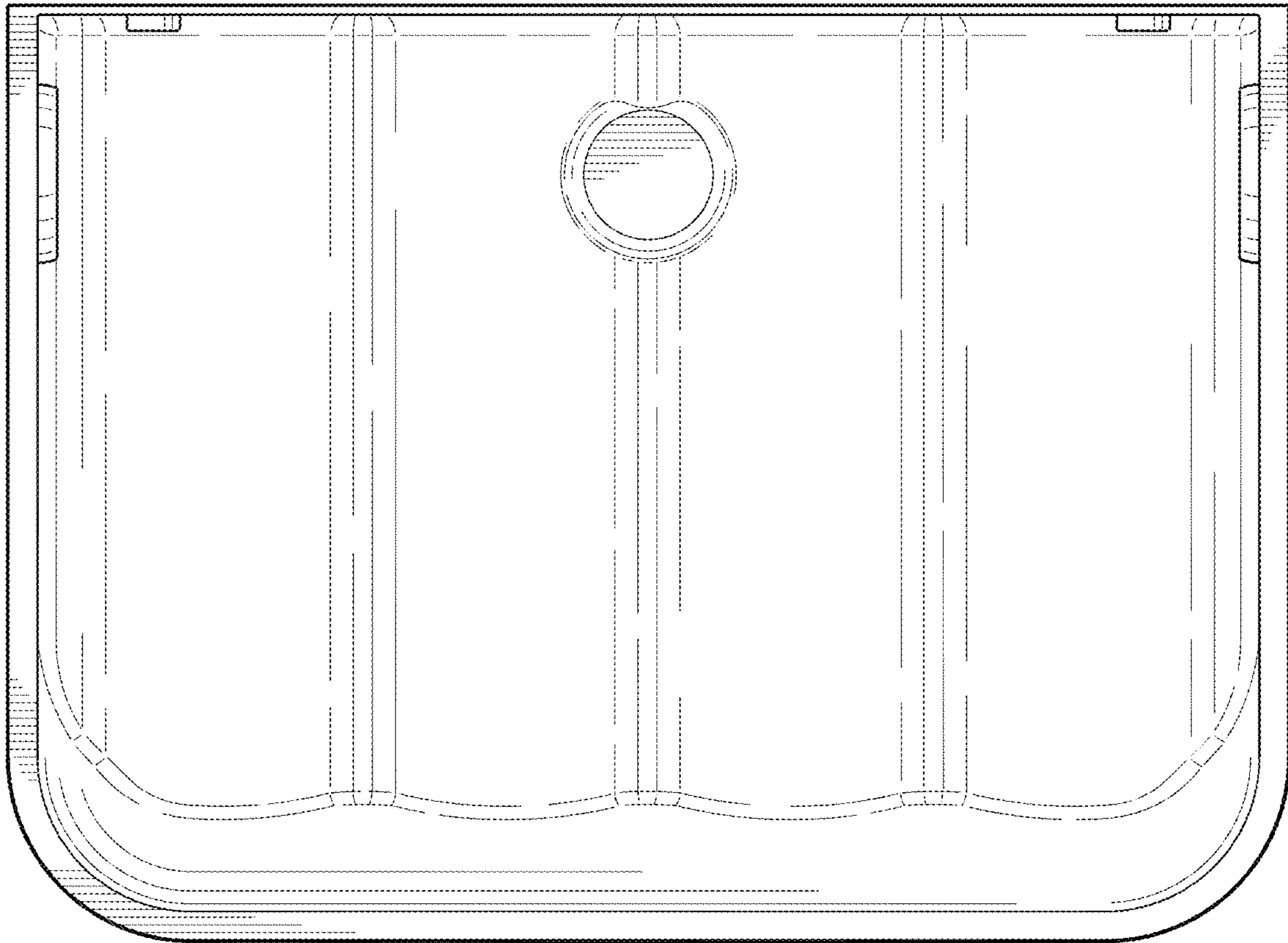


FIG. 3

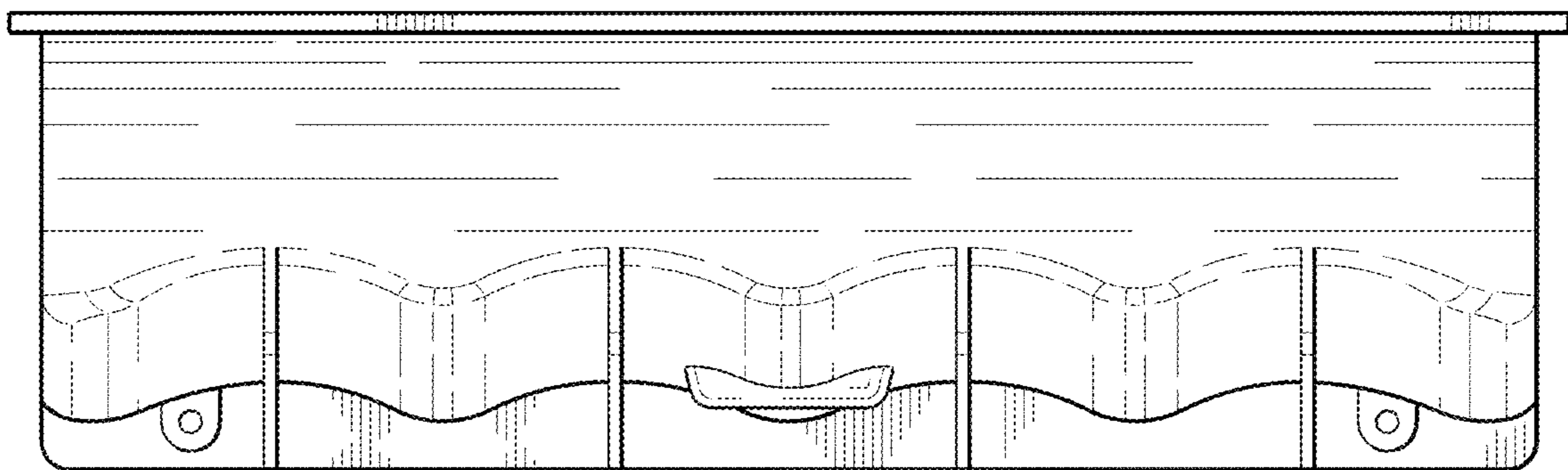


FIG. 4

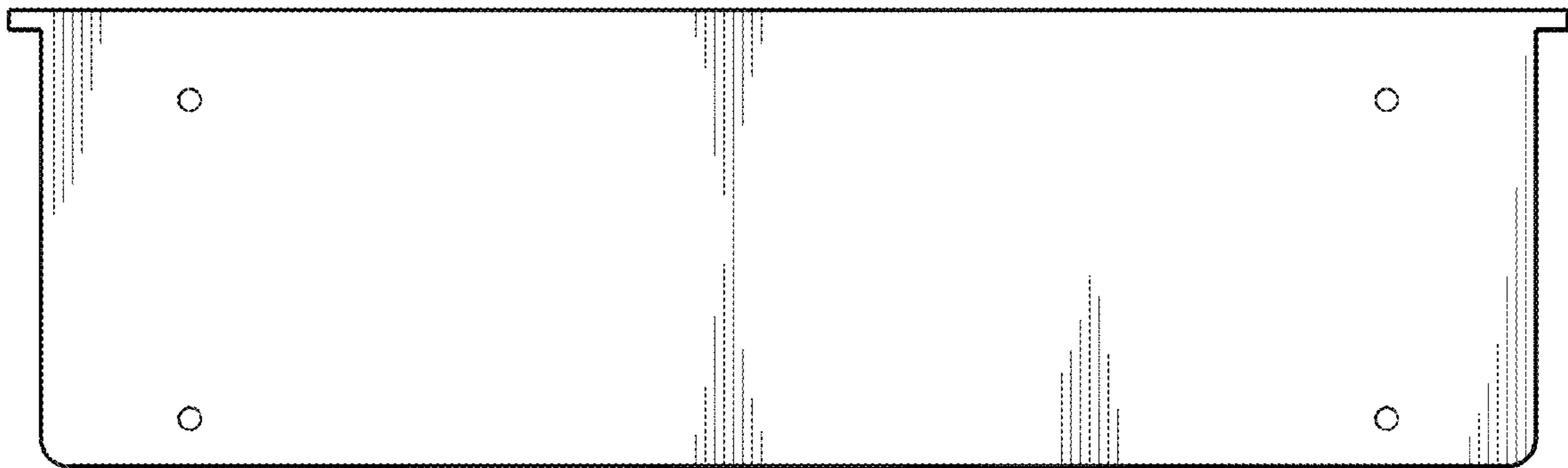


FIG. 5

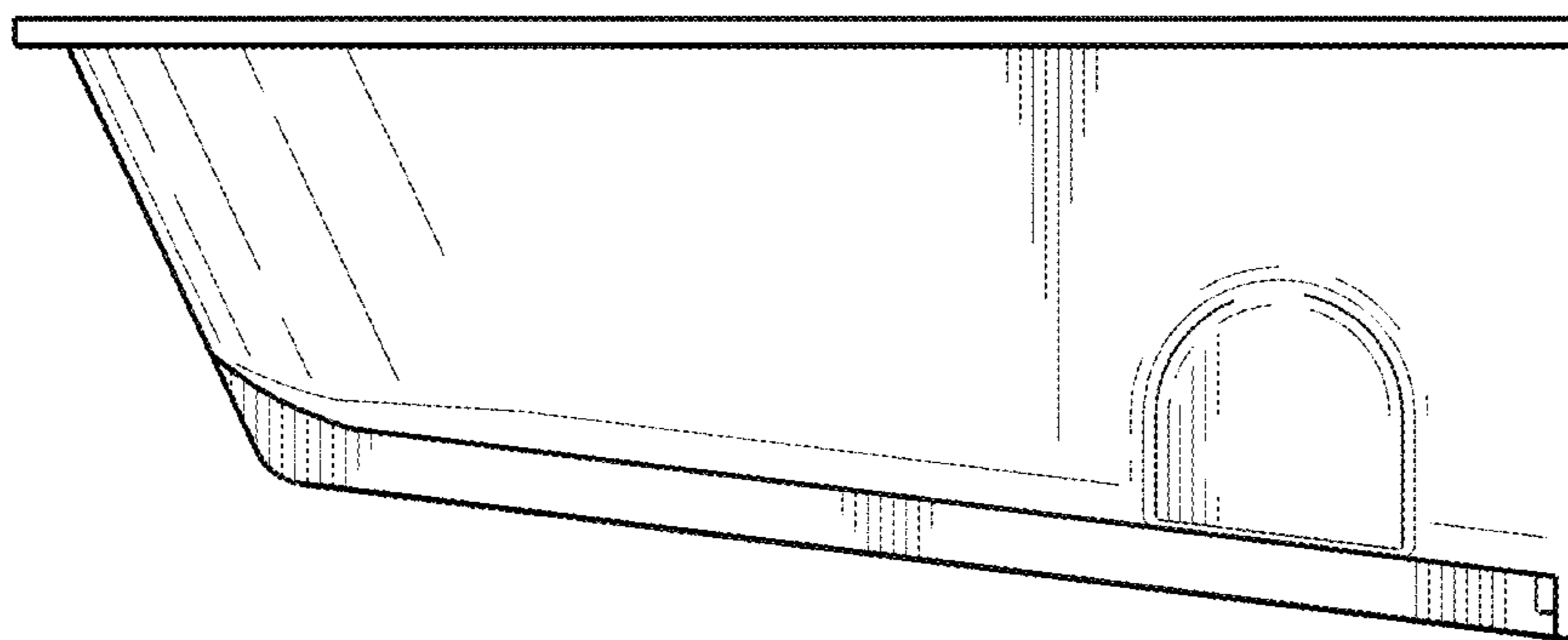


FIG. 6

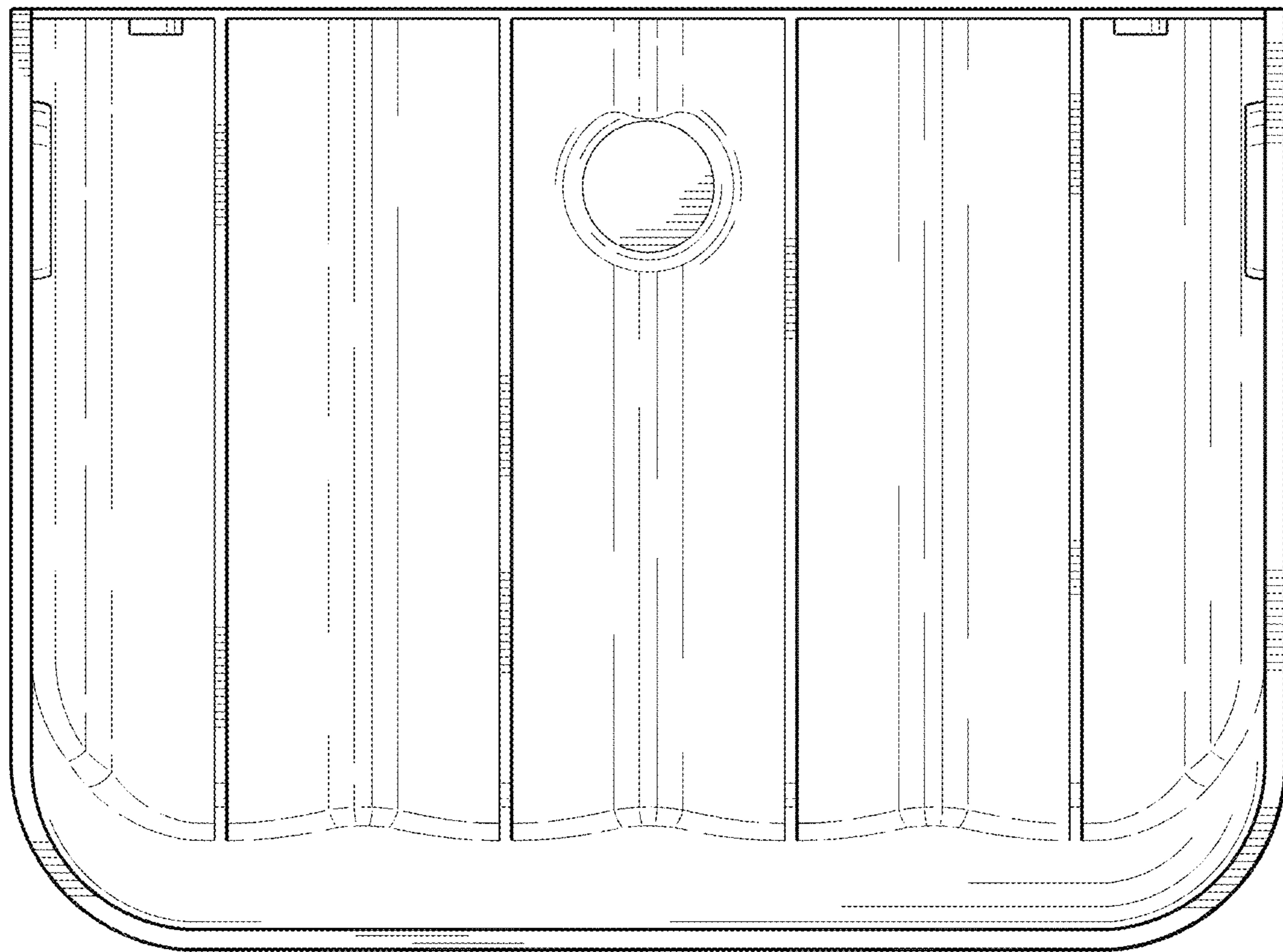


FIG. 7