



US00D989936S

(12) **United States Design Patent**  
**Fortuna et al.**

(10) **Patent No.:** **US D989,936 S**  
(45) **Date of Patent:** **\*\* Jun. 20, 2023**

- (54) **SOLAR-POWERED EXHAUST FAN**
- (71) Applicants: **Brad Fortuna**, Murray, UT (US);  
**Kacen Smith**, St. George, UT (US)
- (72) Inventors: **Brad Fortuna**, Murray, UT (US);  
**Kacen Smith**, St. George, UT (US)
- (\*\*) Term: **15 Years**
- (21) Appl. No.: **29/777,477**
- (22) Filed: **Apr. 6, 2021**
- (51) **LOC (14) Cl.** ..... **23-04**
- (52) **U.S. Cl.**  
USPC ..... **D23/373**
- (58) **Field of Classification Search**  
USPC ..... D23/328, 370–376, 411–412  
CPC ..... F24F 7/02; F24F 7/025  
See application file for complete search history.

(56) **References Cited**

U.S. PATENT DOCUMENTS

D212,882 S *	12/1968	Austin	.....	D23/370
D243,851 S *	3/1977	Felter	.....	52/200
D257,060 S *	9/1980	Mann	.....	D23/393
4,506,655 A *	3/1985	Kuechler	.....	F24C 15/20 454/67
D299,529 S *	1/1989	Best	.....	D23/373
5,078,047 A *	1/1992	Wimberly	.....	E04D 13/17 454/366
D709,173 S *	7/2014	Rodriguez, Jr.	.....	D23/373
D709,174 S *	7/2014	Rodriguez, Jr.	.....	F23J 13/04 D23/373
D773,629 S *	12/2016	Crisa'	.....	D23/372
D780,302 S *	2/2017	Merritt	.....	D23/374

D802,731 S *	11/2017	Arnold, Jr.	.....	D23/374
D875,234 S *	2/2020	Bertoli	.....	D23/374
2007/0129002 A1 *	6/2007	Barrett	.....	F04D 13/086 454/343
2012/0014813 A1 *	1/2012	Foreman	.....	F24F 7/025 29/889.4
2012/0178357 A1 *	7/2012	Rheaume	.....	F04D 25/0613 454/343
2014/0094109 A1 *	4/2014	Chang	.....	F24F 7/025 454/366
2021/0156578 A1 *	5/2021	Park	.....	F24F 13/02

\* cited by examiner

*Primary Examiner* — Sharon S Oum  
(74) *Attorney, Agent, or Firm* — Gurr Brande & Spendlove, PLLC; Robert A. Gurr

(57) **CLAIM**

The ornamental design for a solar-powered exhaust fan, as shown and described.

**DESCRIPTION**

FIG. 1 is a top, side perspective view of the solar-powered exhaust fan;

FIG. 2 is a bottom, side perspective view of the solar-powered exhaust fan;

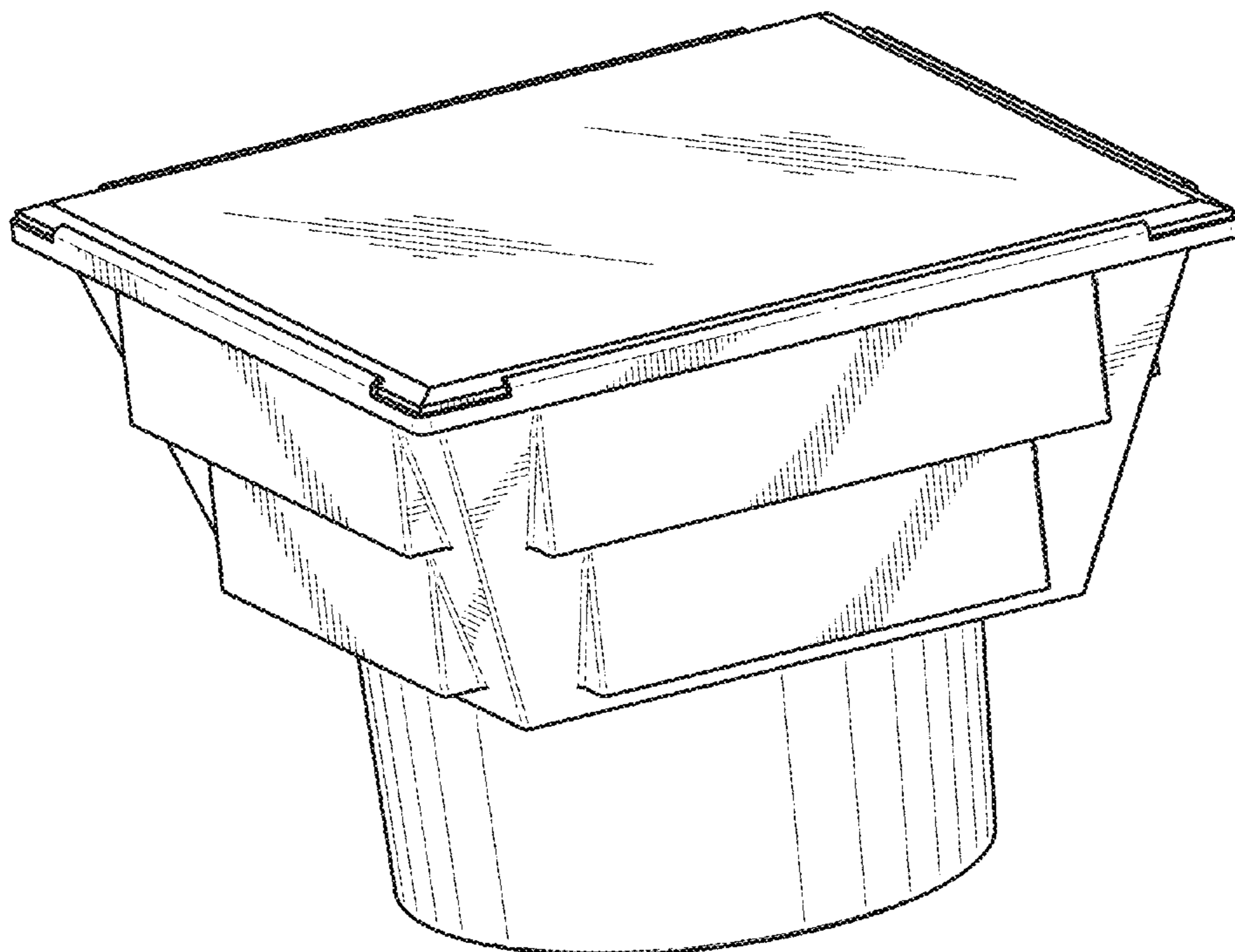
FIG. 3 is a side elevation view of the solar-powered exhaust fan, with the other sides being a mirror image thereof;

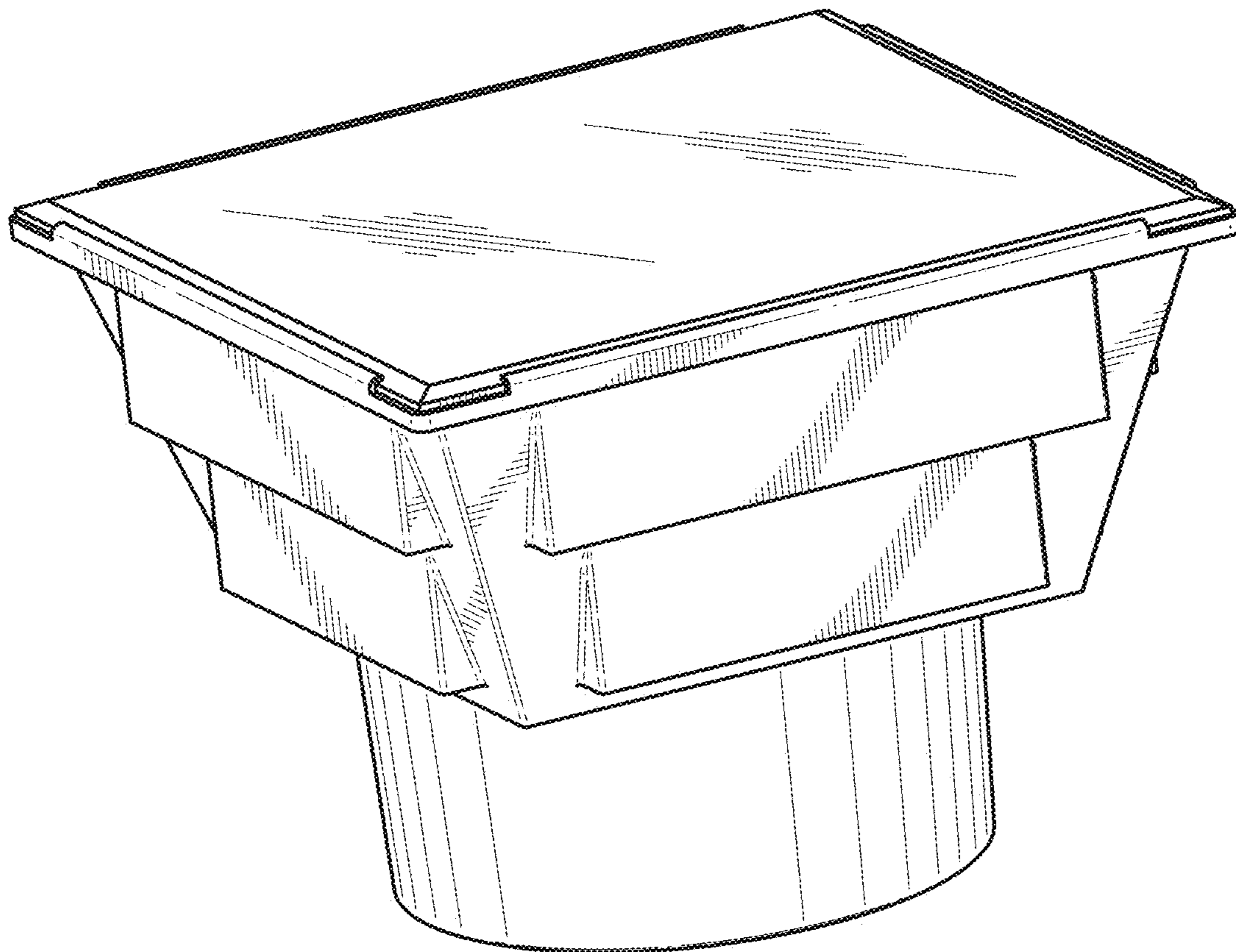
FIG. 4 is a top plan view of the solar-powered exhaust fan; and,

FIG. 5 is a bottom plan view of the solar-powered exhaust fan.

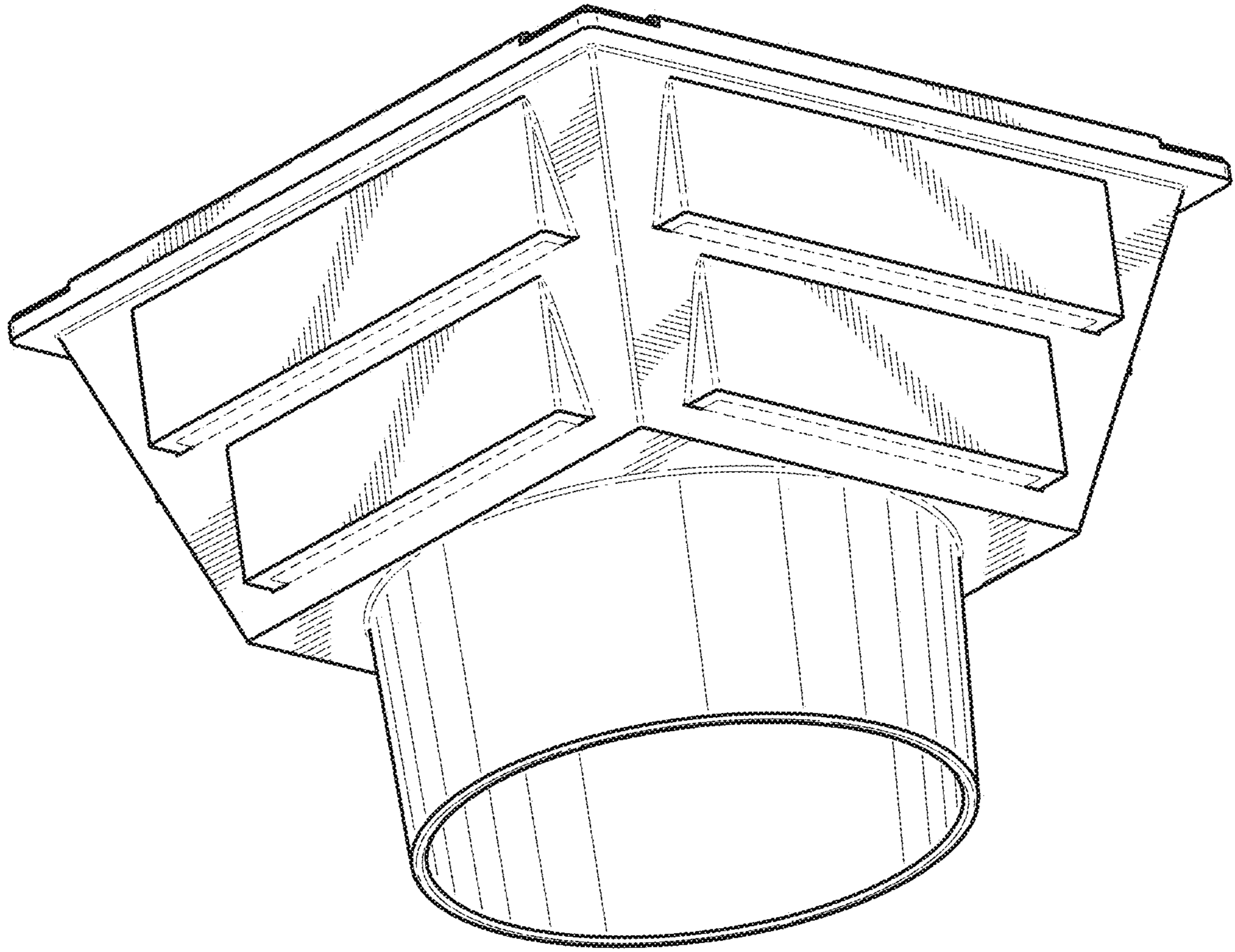
The broken lines shown in FIGS. 2 and 5 are for the purpose of illustrating portions of the solar-powered exhaust fan that form no part of the claimed design.

**1 Claim, 5 Drawing Sheets**

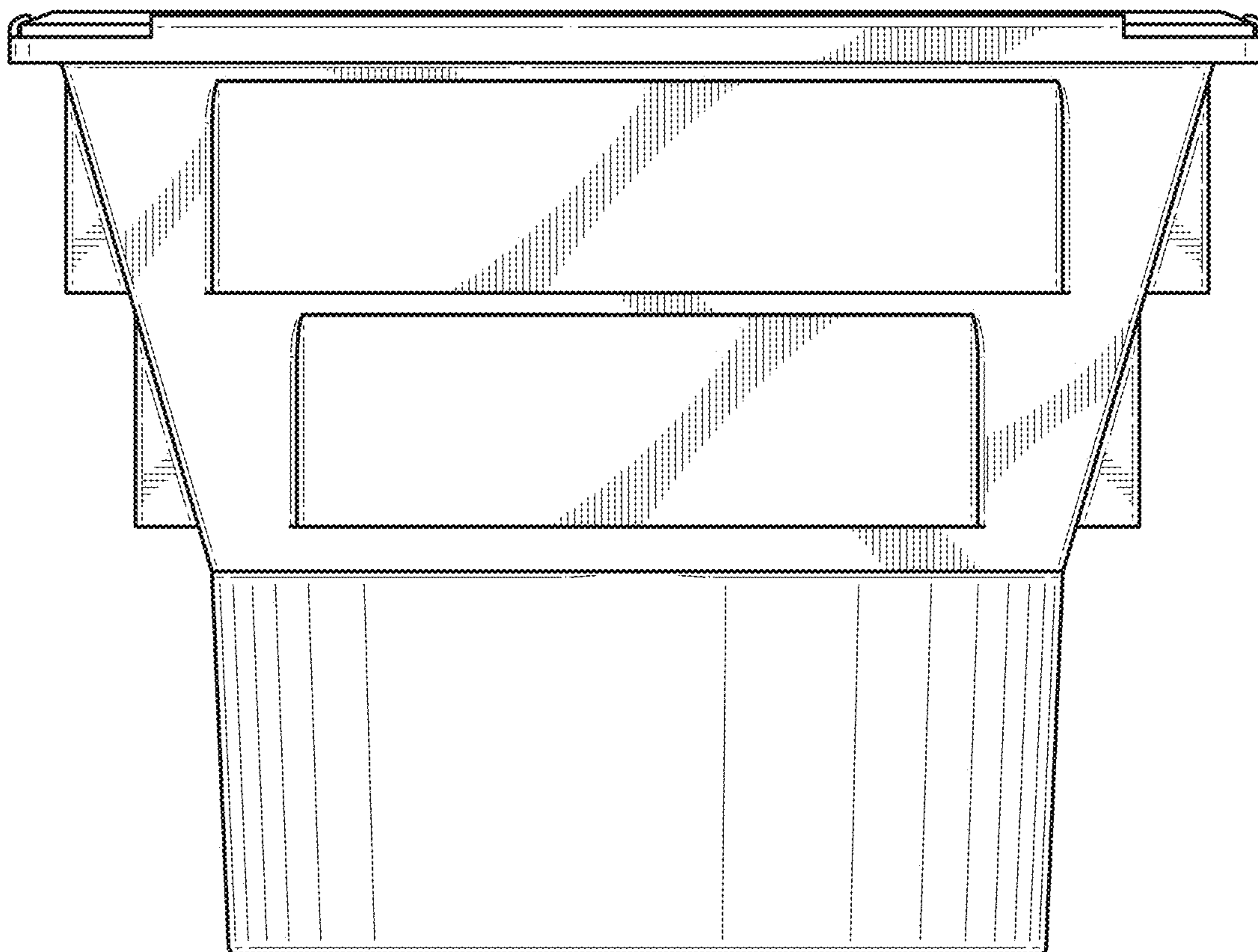




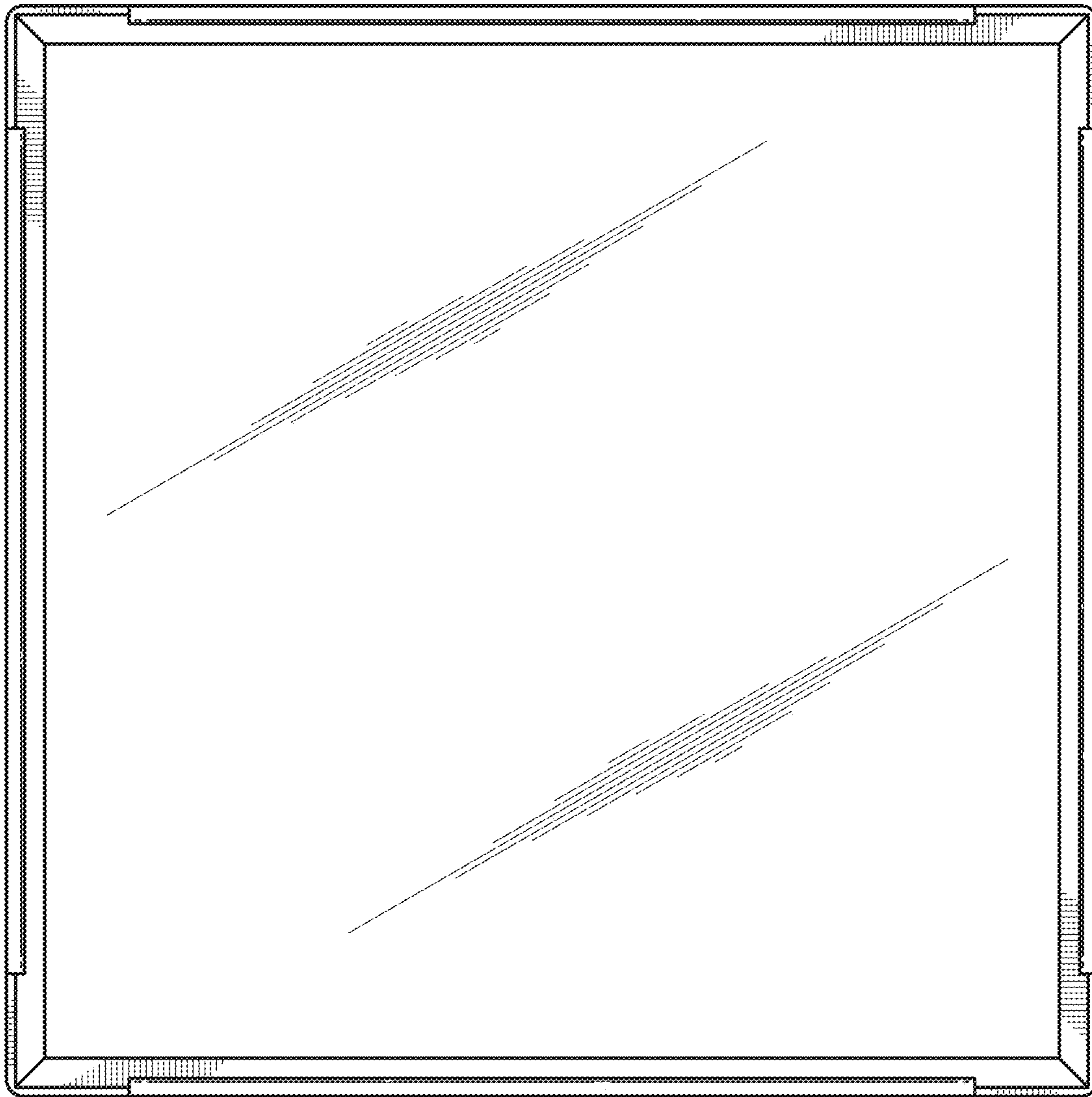
*FIG. 1*



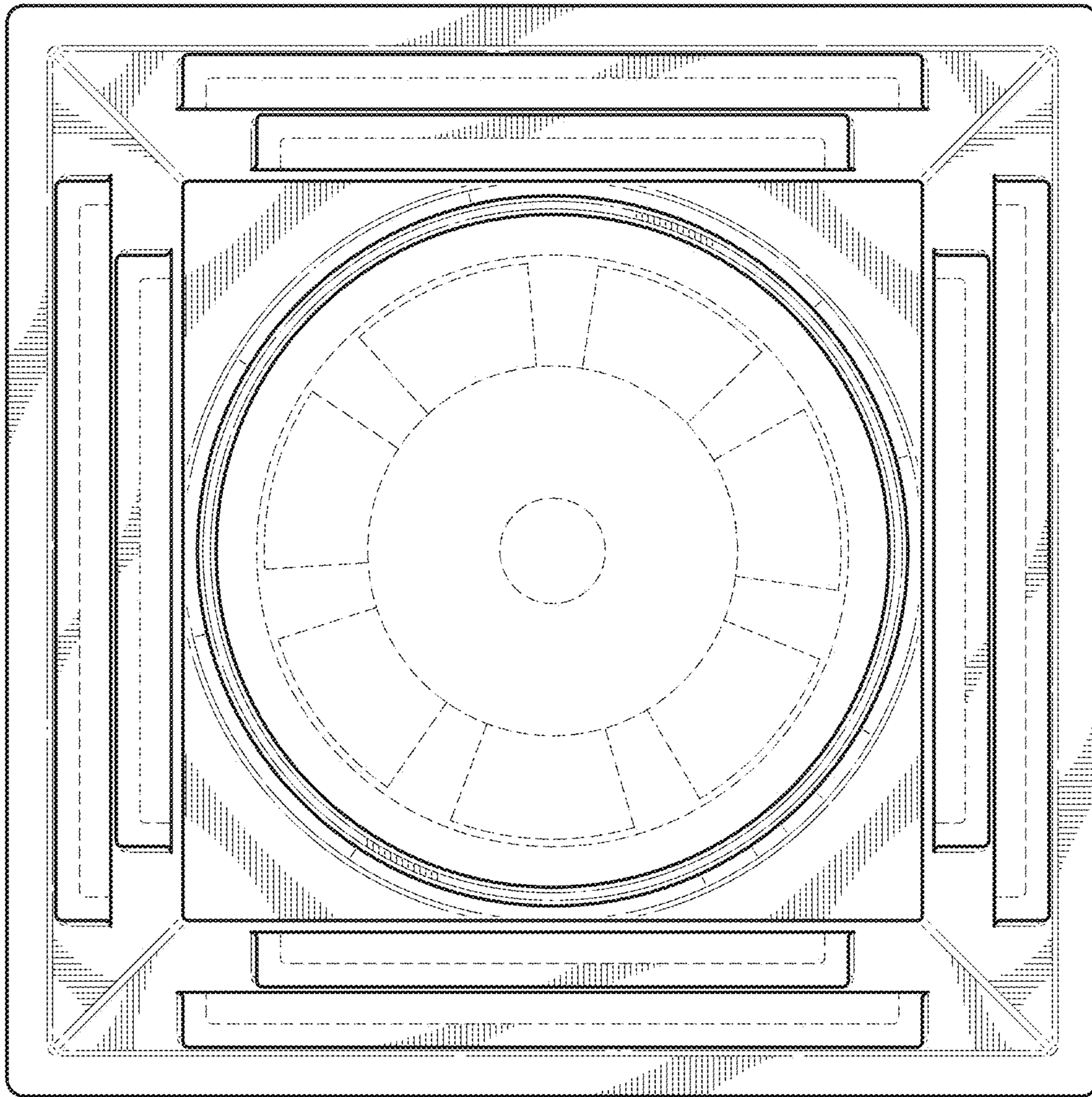
*FIG. 2*



*FIG. 3*



*FIG. 4*



*FIG. 5*