



US00D989925S

(12) **United States Design Patent** (10) **Patent No.:** **US D989,925 S**  
**Yang** (45) **Date of Patent:** **\*\* Jun. 20, 2023**

(54) **BABY TOILET**

FOREIGN PATENT DOCUMENTS

(71) Applicant: **XIAMEN BABY PRETTY PRODUCTS CO., LTD.,** Xiamen (CN)

CN	305093904	*	4/2019
CN	305270871	*	7/2019
CN	305602312	*	2/2020
CN	305604280	*	2/2020
CN	305853985	*	6/2020
CN	305990813	*	8/2020

(72) Inventor: **Jianbo Yang,** Xiamen (CN)

(73) Assignee: **XIAMEN BABY PRETTY PRODUCTS CO., LTD.,** Xiamen (CN)

OTHER PUBLICATIONS

(\*\*) Term: **15 Years**

Summer Infant My Size Potty, announced Apr. 30, 2015[online], [site visited Sep. 23, 2022]. Available from internet, URL:<https://www.amazon.ca/dp/B0154FF8OS> (Year: 2015).\*  
Pote Plus—My First WC Potty, announced Nov. 29, 2018[online], [site visited Sep. 22, 2022]. Available from internet, URL:<https://www.amazon.co.uk/Pote-Plus-First-Potty-Pink/dp/B07KYN87VV?th=1> (Year: 2018).\*

(21) Appl. No.: **29/777,681**

(22) Filed: **Apr. 8, 2021**

(30) **Foreign Application Priority Data**

Oct. 8, 2020 (CN) ..... 202030596457.X

(51) **LOC (14) Cl.** ..... **23-07**

(52) **U.S. Cl.**  
USPC ..... **D23/301**

(58) **Field of Classification Search**  
USPC ..... D23/278–279, 295–303, 309, 311, 499  
CPC ..... A47K 13/06  
See application file for complete search history.

\* cited by examiner

*Primary Examiner* — Jae Liang  
*Assistant Examiner* — Jamaal Rasheed

(74) *Attorney, Agent, or Firm* — Bayramoglu Law Offices LLC

(57) **CLAIM**

The ornamental design for a baby toilet, as shown and described.

(56) **References Cited**

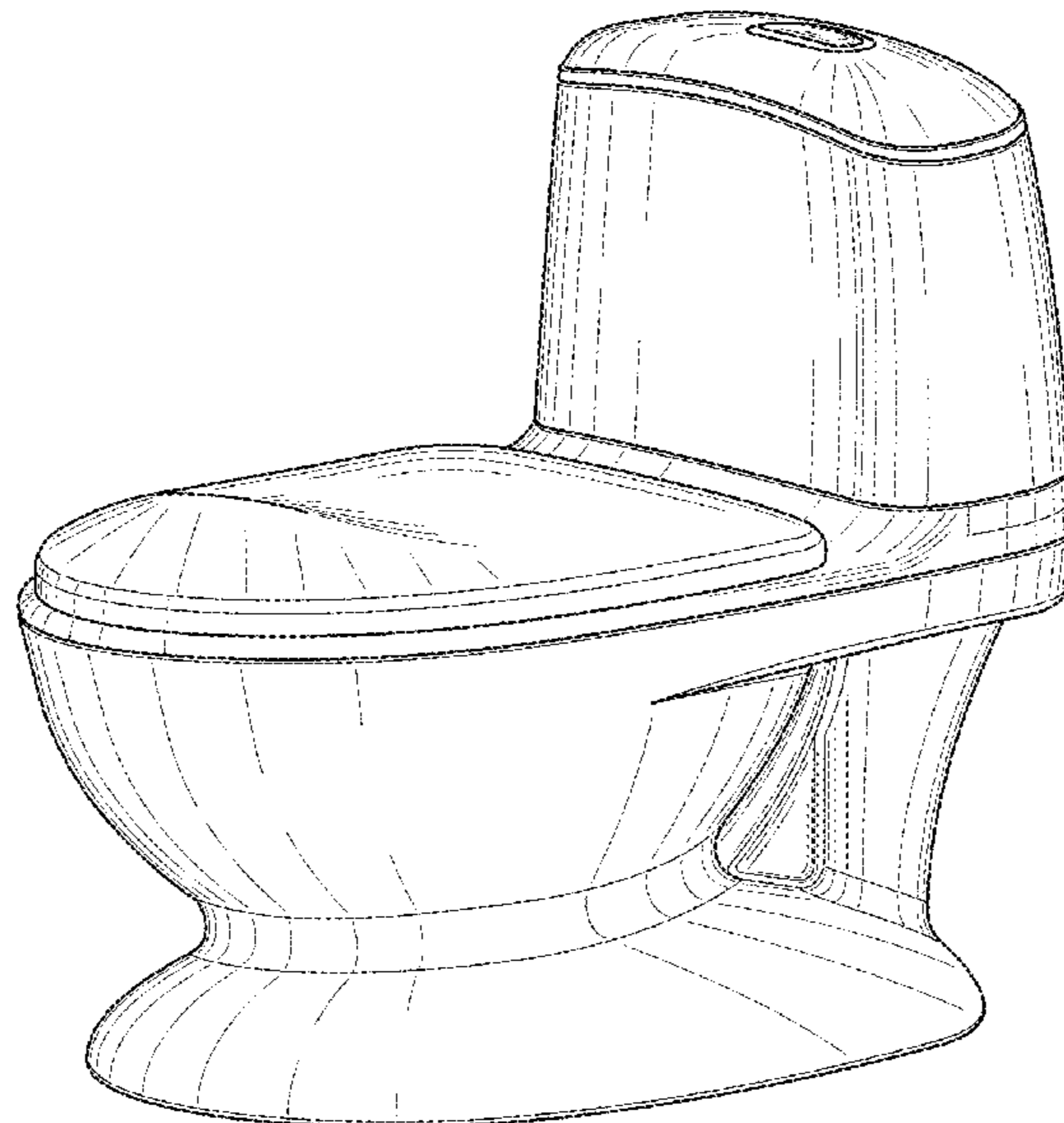
**DESCRIPTION**

U.S. PATENT DOCUMENTS

D798,425 S *	9/2017	Mesun	.....	D23/301
D815,718 S *	4/2018	Garrels	.....	D23/301
D881,362 S *	4/2020	Songjie	.....	D23/301
D884,845 S *	5/2020	Yang	.....	D23/296
D888,208 S *	6/2020	Yang	.....	D23/296
D912,787 S *	3/2021	McKeone	.....	D23/301
D938,560 S *	12/2021	Bucher	.....	D23/295
D948,678 S *	4/2022	Bucher	.....	D23/301
2015/0135422 A1 *	5/2015	Park	.....	E03D 11/10 4/323
2016/0307462 A1 *	10/2016	McCarthy	.....	G09B 19/0076

FIG. 1 is a perspective view of a baby toilet showing my new design;  
FIG. 2 is a right side view thereof;  
FIG. 3 is a left side view thereof;  
FIG. 4 is a front view thereof;  
FIG. 5 is a rear view thereof; and,  
FIG. 6 is a bottom view thereof.  
The broken lines depict portions of the baby toilet that form no part of the claimed design.

**1 Claim, 6 Drawing Sheets**



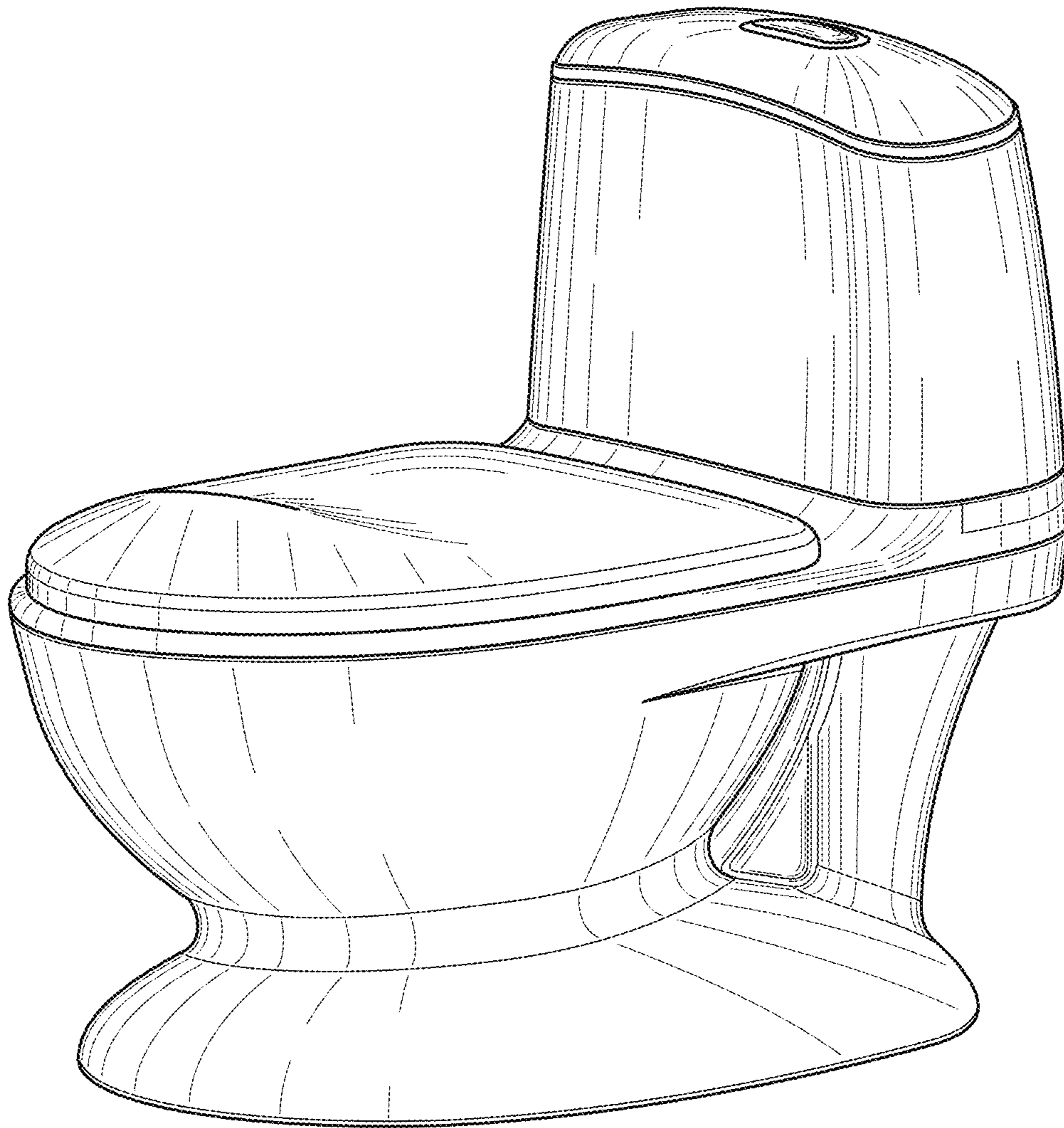


Fig. 1

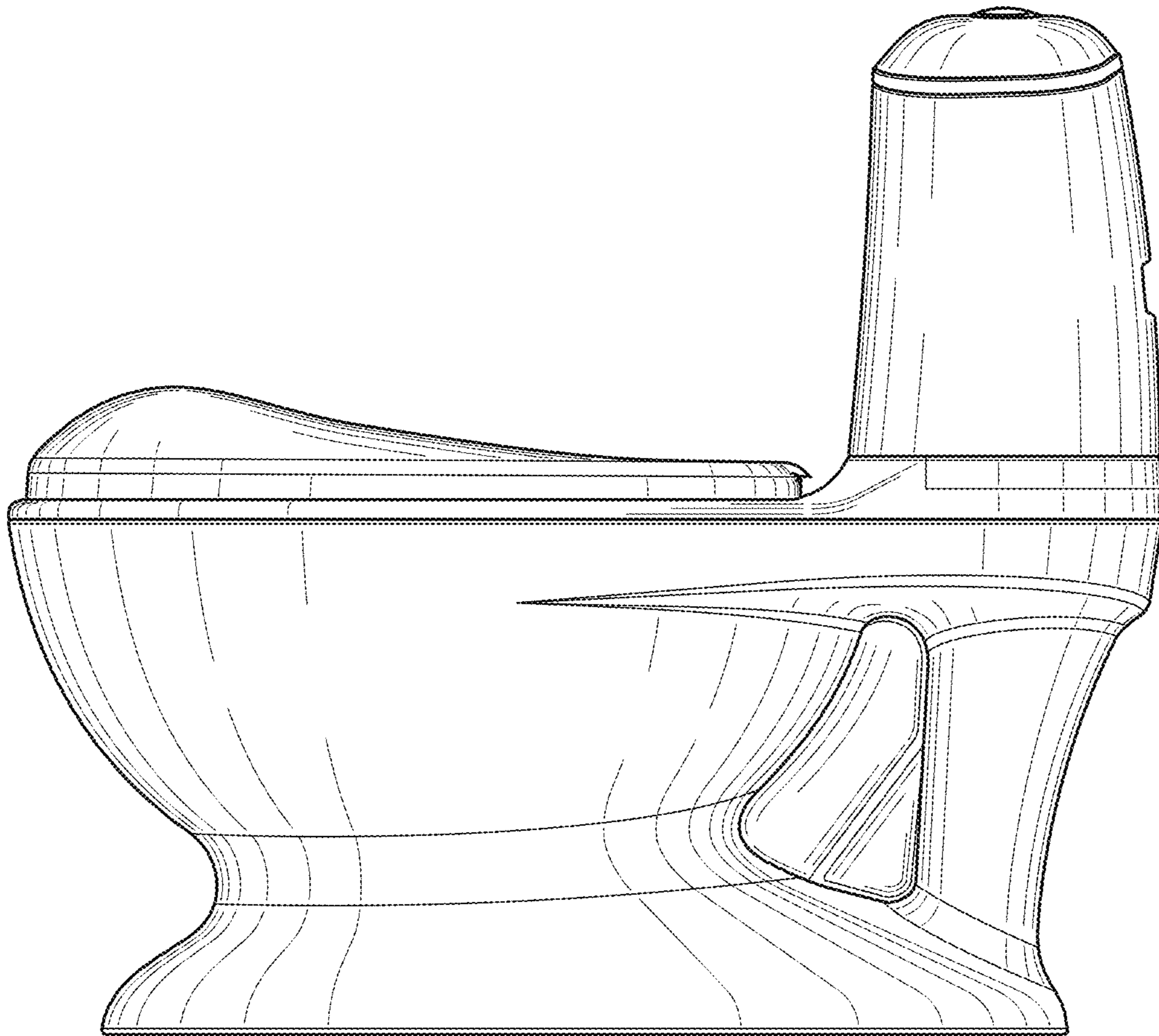


Fig. 2

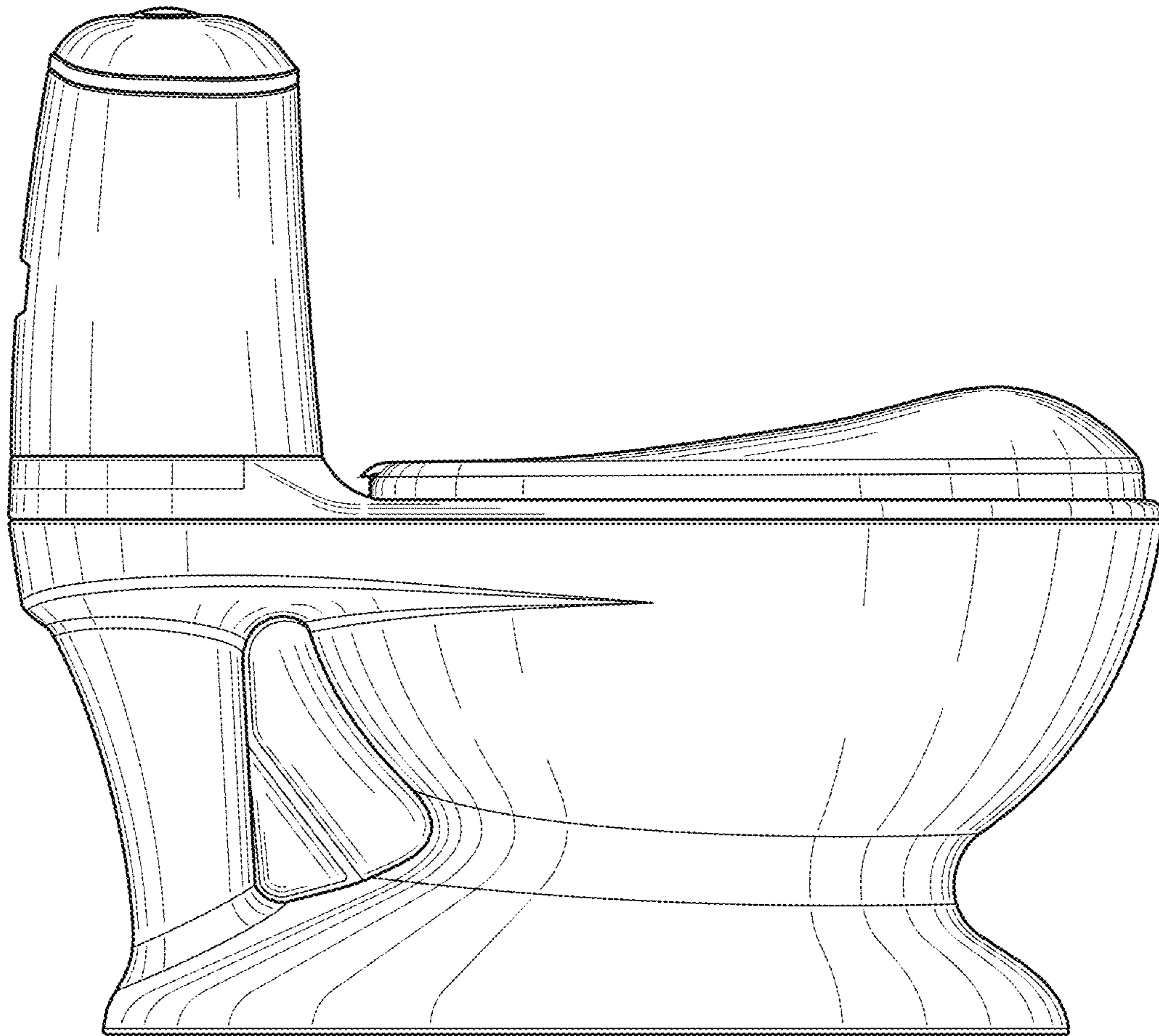


Fig. 3

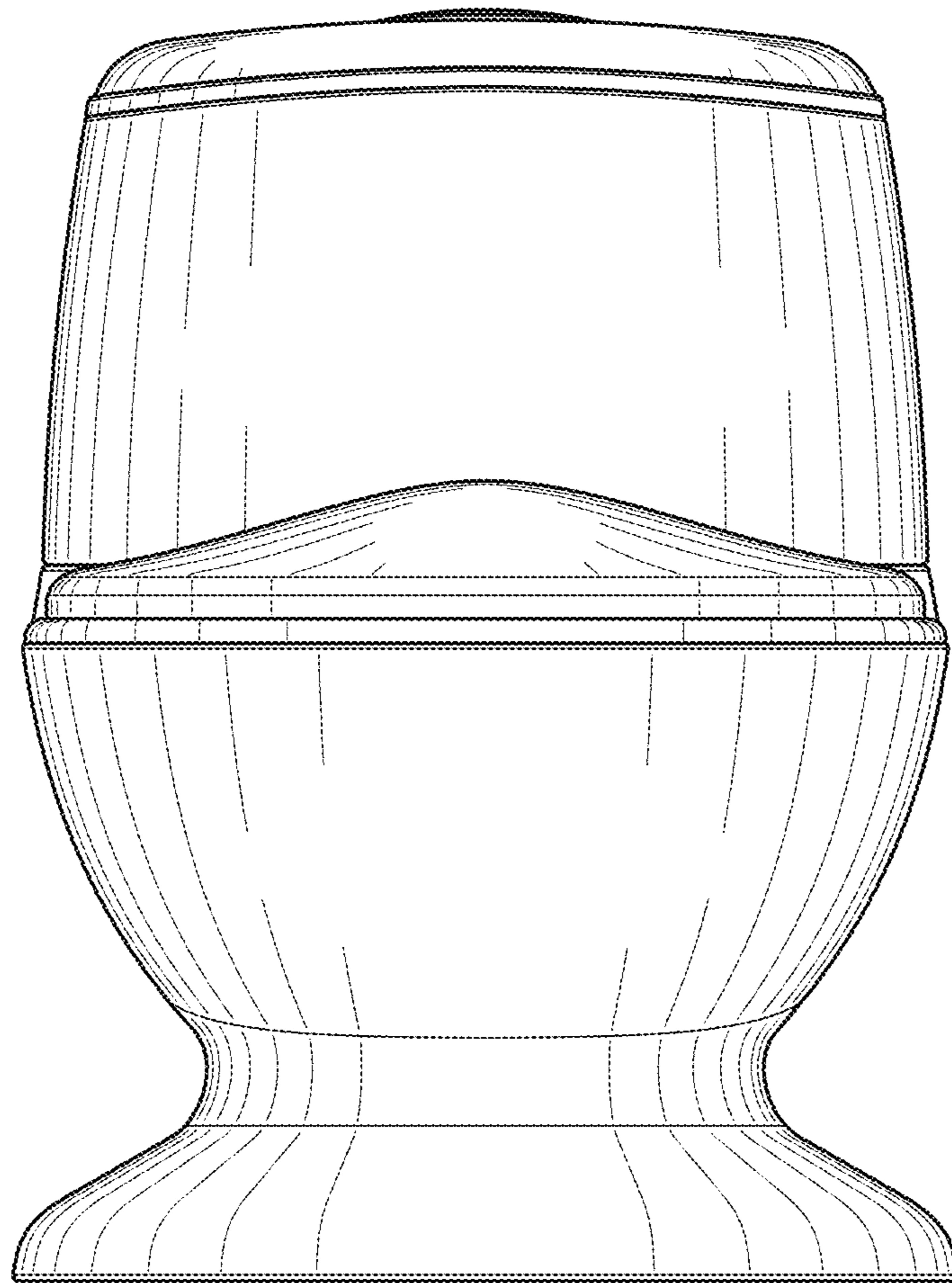


Fig. 4

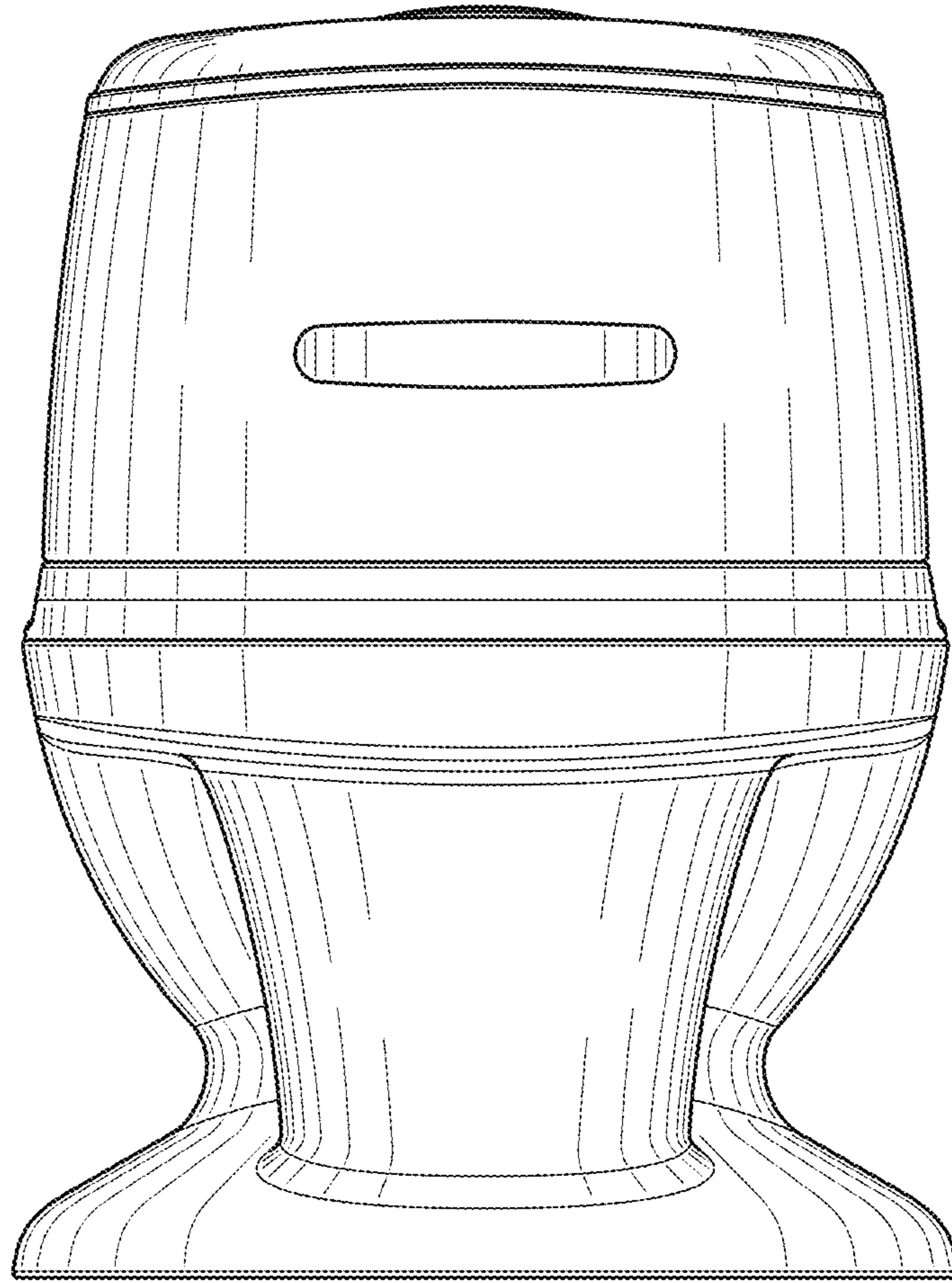


Fig. 5

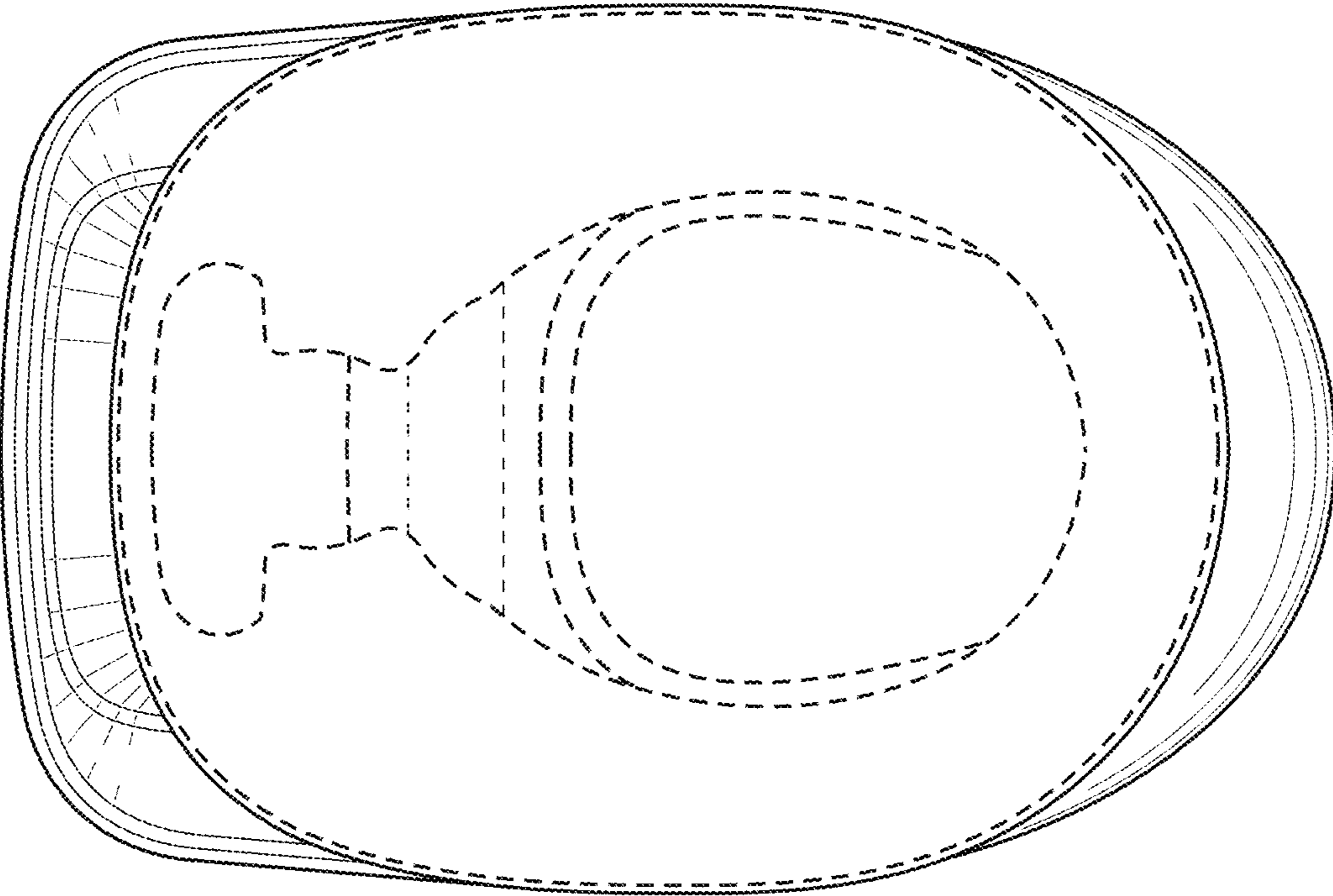


Fig. 6