



US00D989924S

(12) **United States Design Patent**  
**Yang**

(10) **Patent No.:** **US D989,924 S**  
(45) **Date of Patent:** **\*\* Jun. 20, 2023**

(54) **INFANT HIP WASHER**

FOREIGN PATENT DOCUMENTS

(71) Applicant: **XIAMEN BABY PRETTY PRODUCTS CO., LTD.**, Xiamen (CN)

CN 305566531 \* 1/2020

(72) Inventor: **Jianbo Yang**, Xiamen (CN)

OTHER PUBLICATIONS

(73) Assignee: **XIAMEN BABY PRETTY PRODUCTS CO., LTD.**, Xiamen (CN)

The First Years 4 in 1 Warming Comfort Tub, announced Apr. 1, 2021[online], [site visited Oct. 4, 2022]. Available from internet, URL: <[https://www.amazon.com/First-Years-Warming-Comfort-Tub/dp/B0796BLCXS/ref=psdc\\_165797011\\_t1\\_B08N6CL23X](https://www.amazon.com/First-Years-Warming-Comfort-Tub/dp/B0796BLCXS/ref=psdc_165797011_t1_B08N6CL23X)> (Year: 2021).\*

(\*\*) Term: **15 Years**

(21) Appl. No.: **29/783,006**

\* cited by examiner

(22) Filed: **May 11, 2021**

*Primary Examiner* — David G Muller

(51) **LOC (14) Cl.** ..... **09-09**

*Assistant Examiner* — Jamaal Rasheed

(52) **U.S. Cl.**  
USPC ..... **D23/278**

(74) *Attorney, Agent, or Firm* — Bayramoglu Law Offices LLC

(58) **Field of Classification Search**  
USPC ..... D23/277–279, 295–303, 309, 311, 499;  
D6/333  
CPC ..... A47K 13/06; A47K 13/10  
See application file for complete search history.

(57) **CLAIM**

The ornamental design for an infant hip washer, as shown and described.

(56) **References Cited**

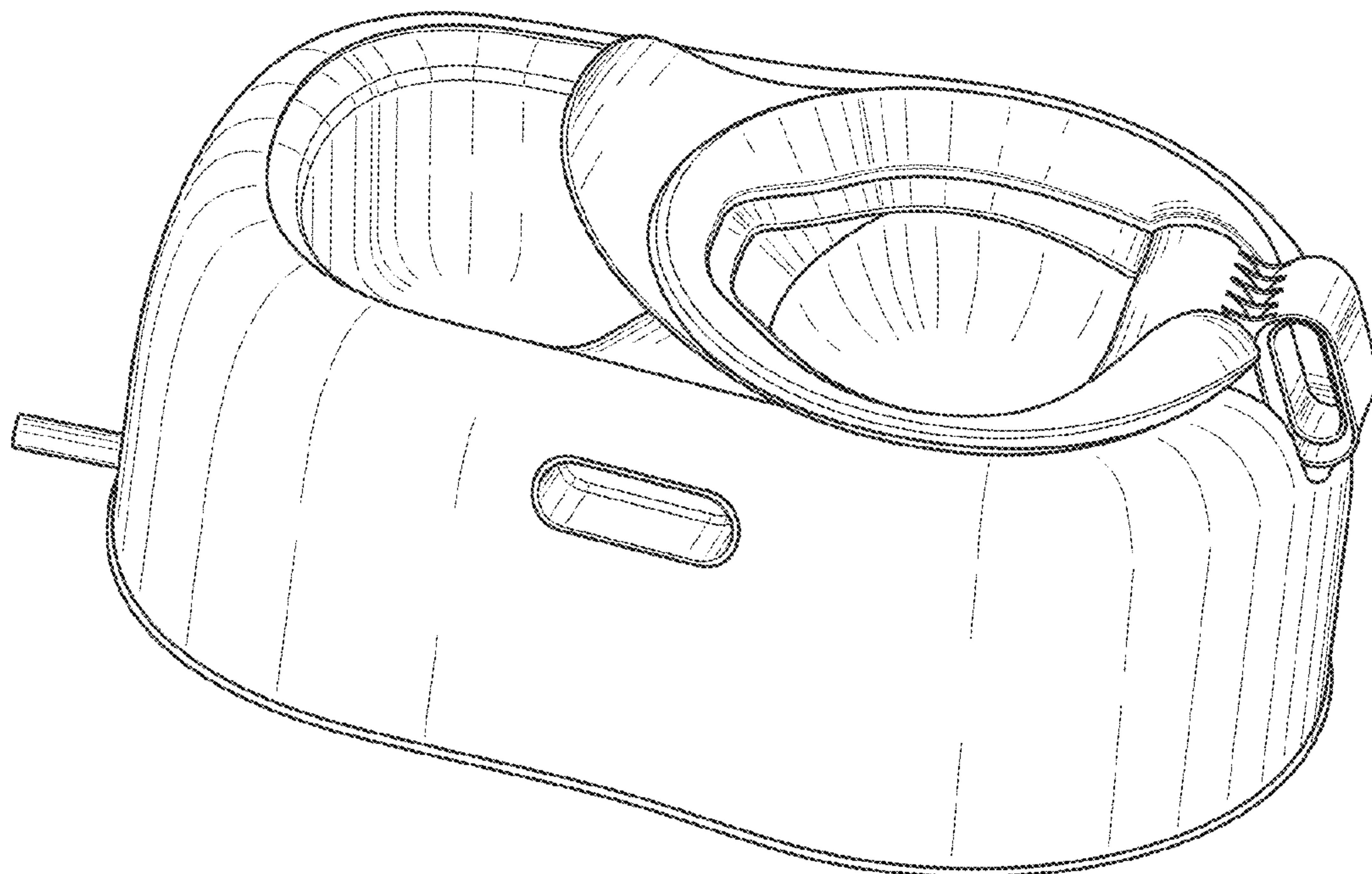
**DESCRIPTION**

U.S. PATENT DOCUMENTS

2,547,743	A *	4/1951	Burr	.....	A47K 3/024
					D23/278
D179,537	S *	1/1957	Floyd et al.	.....	D23/278
D365,144	S *	12/1995	Gruber	.....	D23/277
D491,646	S *	6/2004	Shibata	.....	D23/296
D502,989	S *	3/2005	Turcotte	.....	D23/277
D639,972	S *	6/2011	Krause	.....	A47K 3/022
					D23/277
D844,760	S *	4/2019	Kuipers	.....	D23/277
D868,220	S *	11/2019	Miura	.....	D23/277
D911,496	S *	2/2021	Kim	.....	D23/278
D965,752	S *	10/2022	Lou	.....	D23/277

FIG. 1 is a perspective view of an infant hip washer showing my new design;  
FIG. 2 is a front view thereof, a rear view being a mirror image of the front view;  
FIG. 3 is a left side view thereof;  
FIG. 4 is a right side view thereof;  
FIG. 5 is a top view thereof; and,  
FIG. 6 is a bottom view thereof.  
The broken lines depict portions of the infant hip washer that form no part of the claimed design.

**1 Claim, 6 Drawing Sheets**



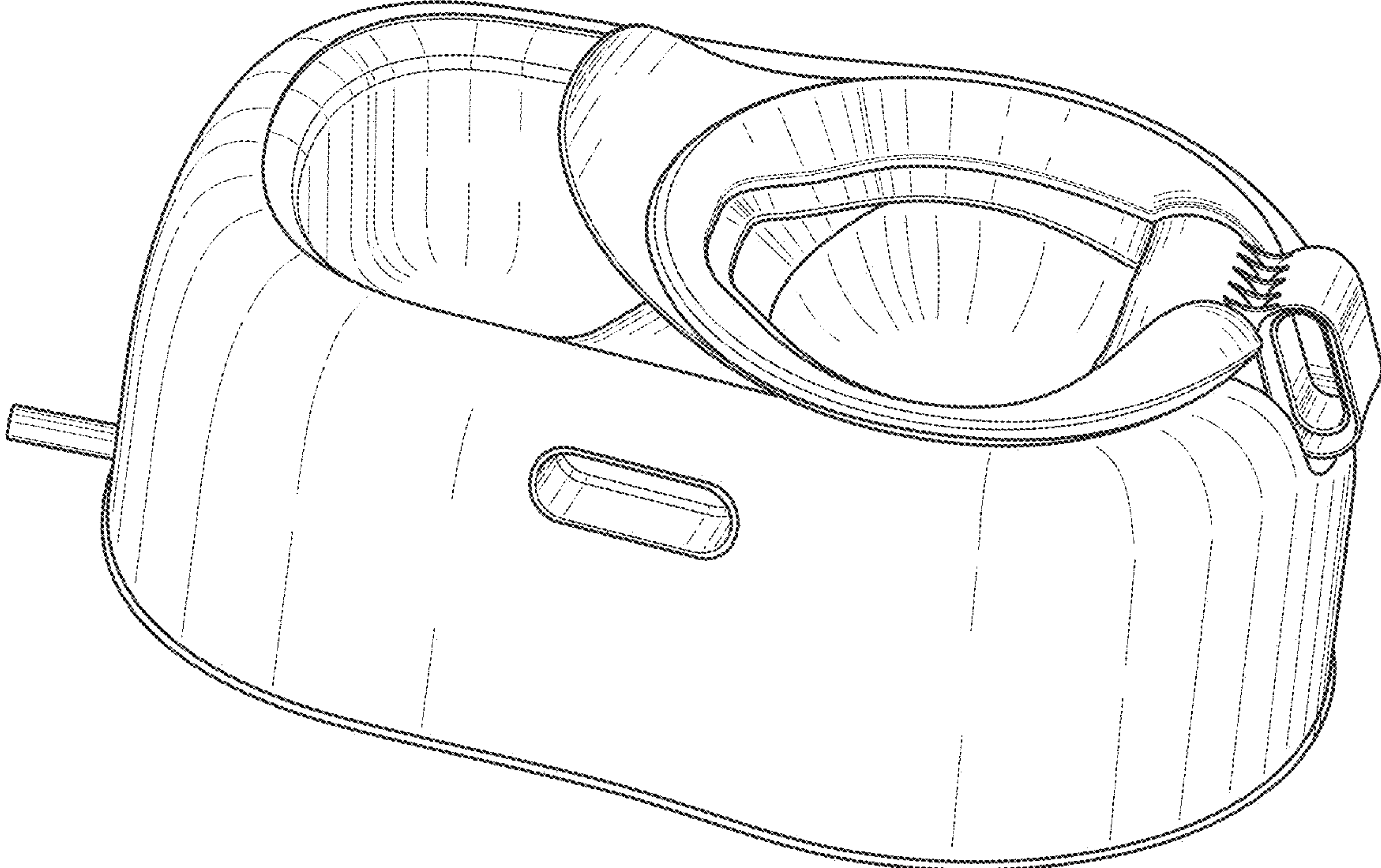


Fig. 1

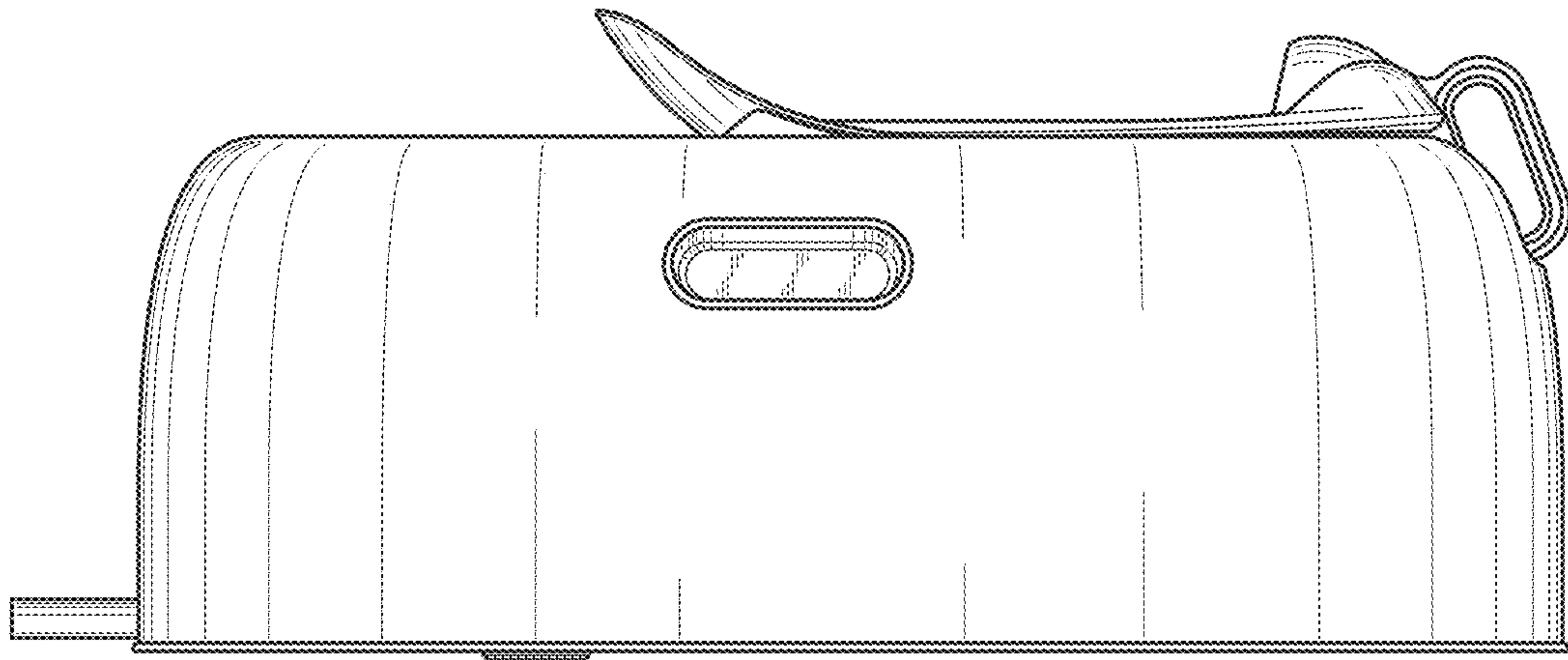


Fig. 2

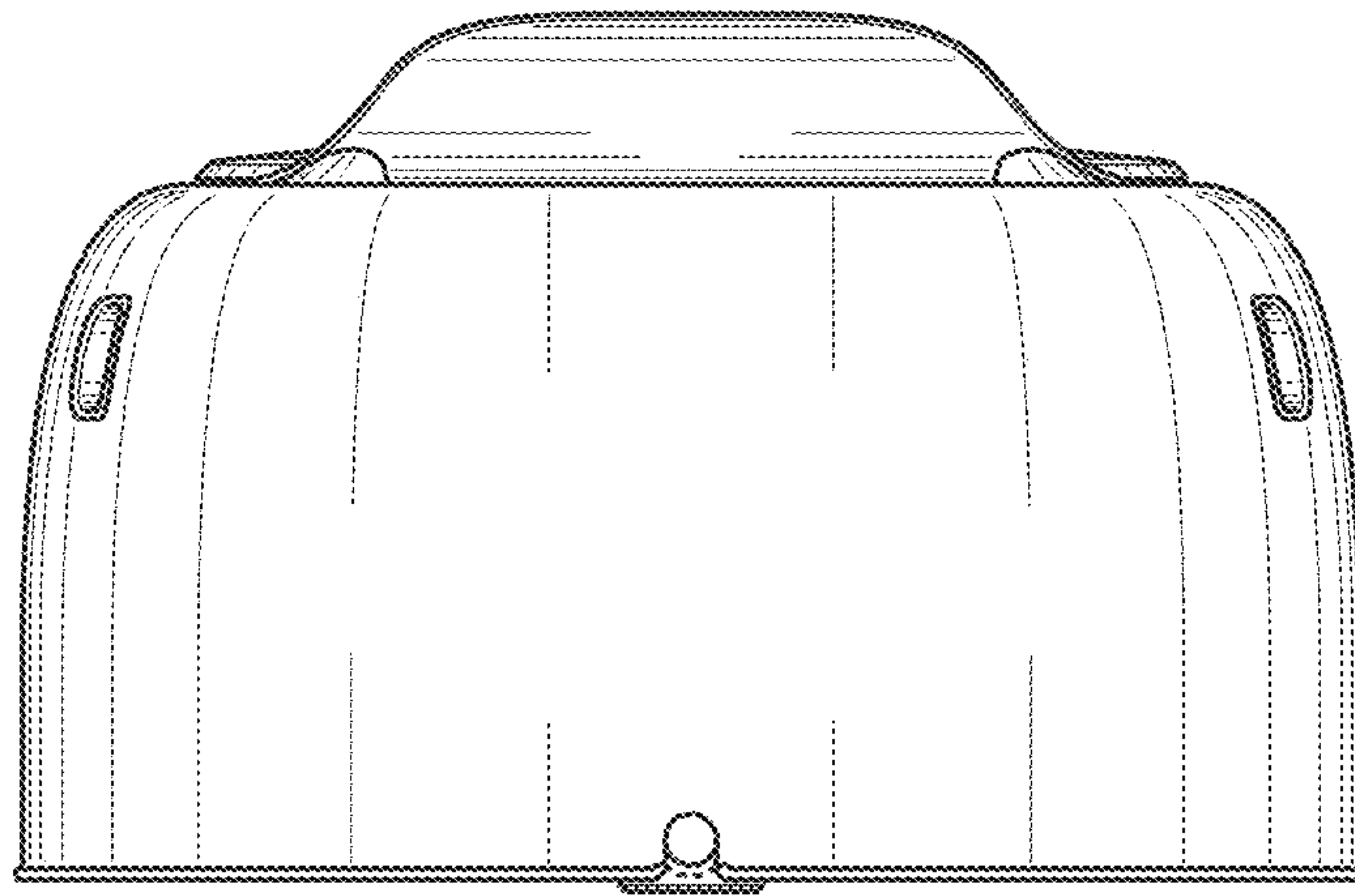


Fig. 3

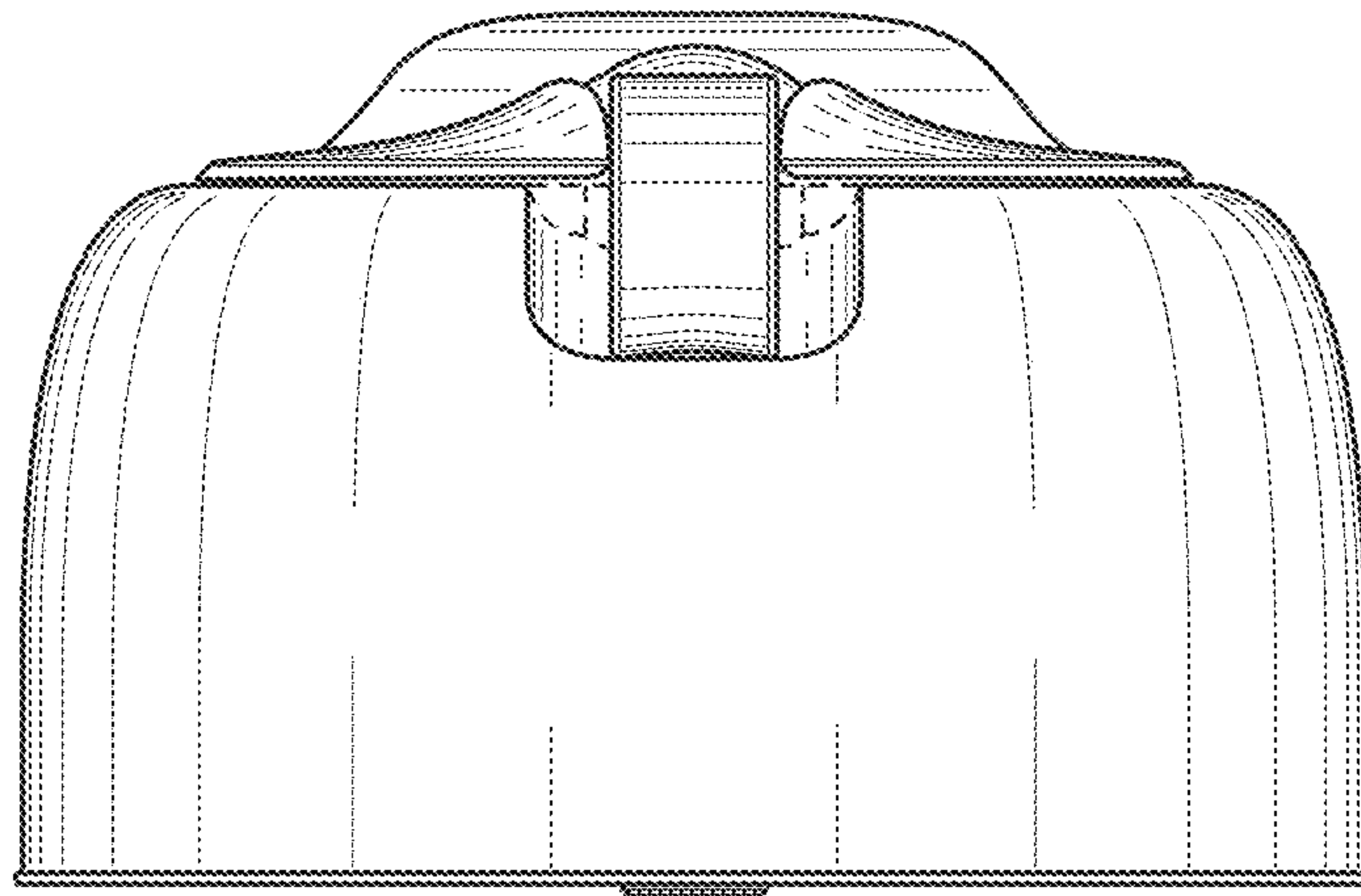


Fig. 4



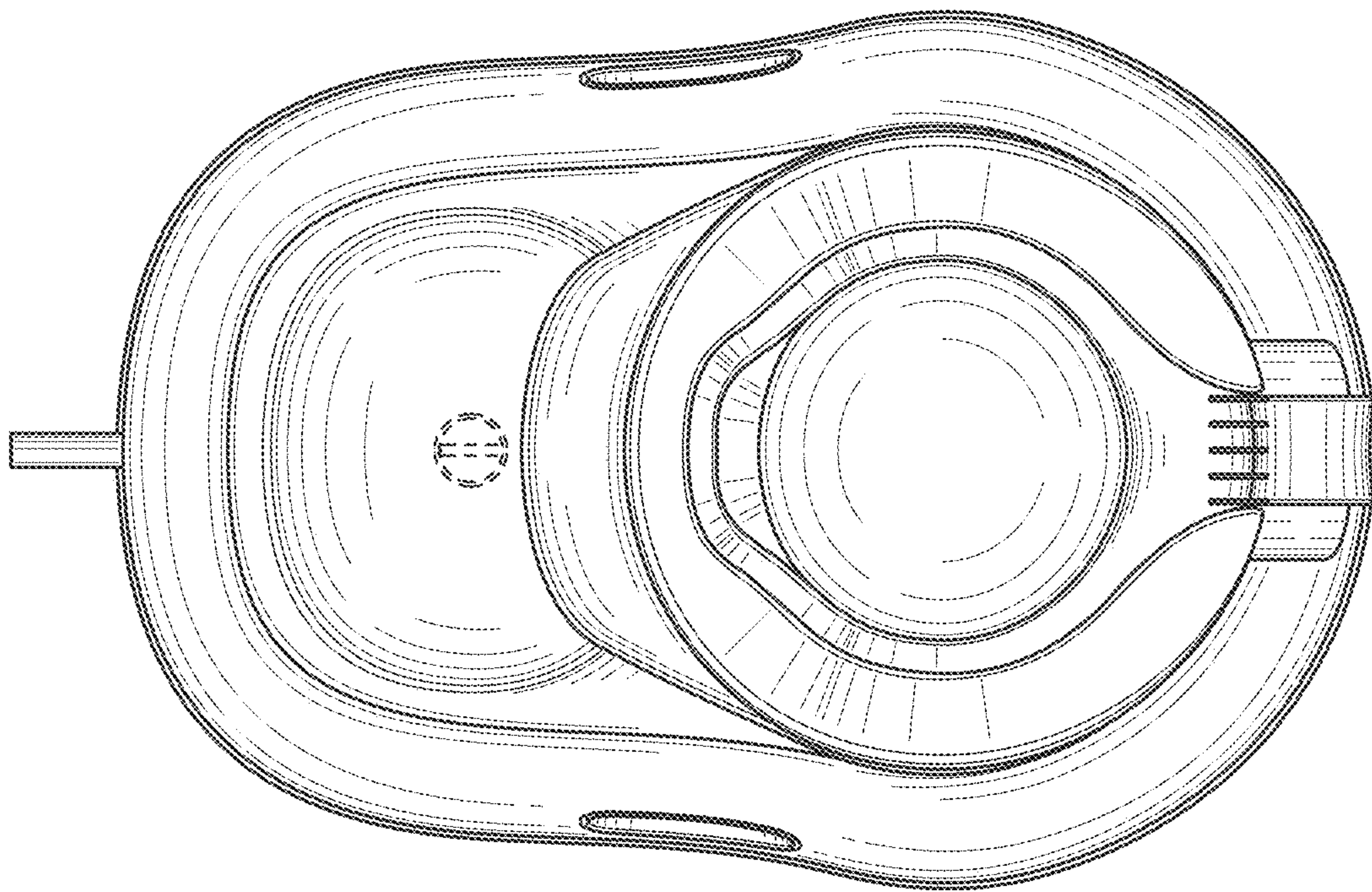


Fig. 5

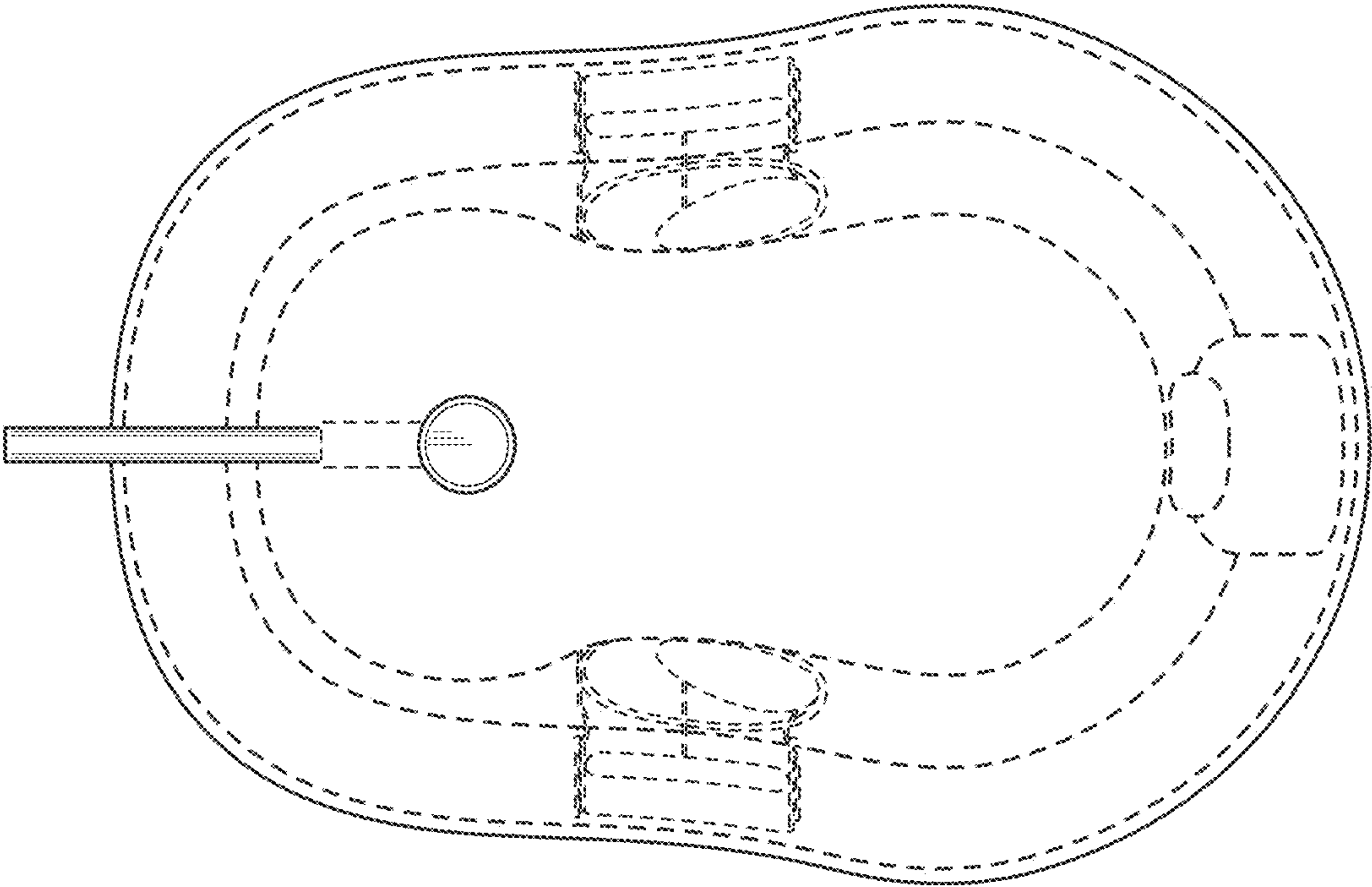


Fig. 6