



US00D989923S

(12) **United States Design Patent** (10) **Patent No.:** **US D989,923 S**
Soulier et al. (45) **Date of Patent:** **** Jun. 20, 2023**

- (54) **SHOWER CONTROLLER**
- (71) Applicant: **Kohler Co.**, Kohler, WI (US)
- (72) Inventors: **Jean-Hugues Soulier**, Vaucresson (FR);
Ferran Serra Sola, Paris (FR); **Drew Johnson**, Sheboygan, WI (US)
- (73) Assignee: **KOHLER CO.**, Kohler, WI (US)
- (**) Term: **15 Years**
- (21) Appl. No.: **29/848,436**
- (22) Filed: **Aug. 2, 2022**

D310,862 S	9/1990	Strignano
D310,865 S	9/1990	Strignano
D311,438 S	10/1990	Strignano
D312,495 S	11/1990	Joerger
D354,548 S	1/1995	Bollenbacher et al.
D377,337 S	1/1997	Schaeffer
D441,059 S	4/2001	Fleischmann
D441,844 S	5/2001	Fleischmann
D441,845 S	5/2001	Fleischmann
D442,263 S	5/2001	Warshawsky et al.
D454,513 S	3/2002	Gueit
D462,421 S	9/2002	Hundley
D466,977 S	12/2002	Cummings
D467,489 S	12/2002	Rubinson
D469,157 S	1/2003	Lobermeier
D479,309 S	9/2003	Haug et al.
D487,586 S	3/2004	Haug et al.
D487,924 S	3/2004	Lin
D490,881 S	6/2004	Lin
D513,060 S	12/2005	Ouyoung
D516,677 S	3/2006	Haug et al.
D526,883 S	8/2006	Gilbert
D527,794 S	9/2006	Sieger
D528,189 S	9/2006	Kulig
D531,277 S	10/2006	Tsai
D531,698 S	11/2006	Wood et al.
D531,702 S	11/2006	Haug et al.
D535,725 S	1/2007	Chu et al.
D536,065 S	1/2007	Wang
D541,383 S	4/2007	Green
D541,909 S	5/2007	Schonherr et al.
D542,384 S	5/2007	Starck
D543,609 S	5/2007	Dolan
D548,563 S	8/2007	Hoernig
D564,073 S	3/2008	Shieh
D568,447 S	5/2008	Lai
D568,715 S	5/2008	Gustafson et al.
D571,893 S	6/2008	Celli
D580,014 S	11/2008	Citterio
D581,026 S	11/2008	Citterio
D581,494 S	11/2008	Dolan et al.
D584,798 S	1/2009	Zetsche et al.
D584,799 S	1/2009	Zetsche et al.
D592,284 S	5/2009	Lammel et al.
D592,733 S	5/2009	Lammel et al.
D594,934 S	6/2009	Vu et al.
D597,175 S	7/2009	Kulig
D597,632 S	8/2009	Obara et al.
D598,072 S	8/2009	Zetsche et al.
D602,570 S	10/2009	Lammel et al.
D603,022 S	10/2009	Schonherr
D608,863 S	1/2010	Pan
D615,162 S	5/2010	Pan

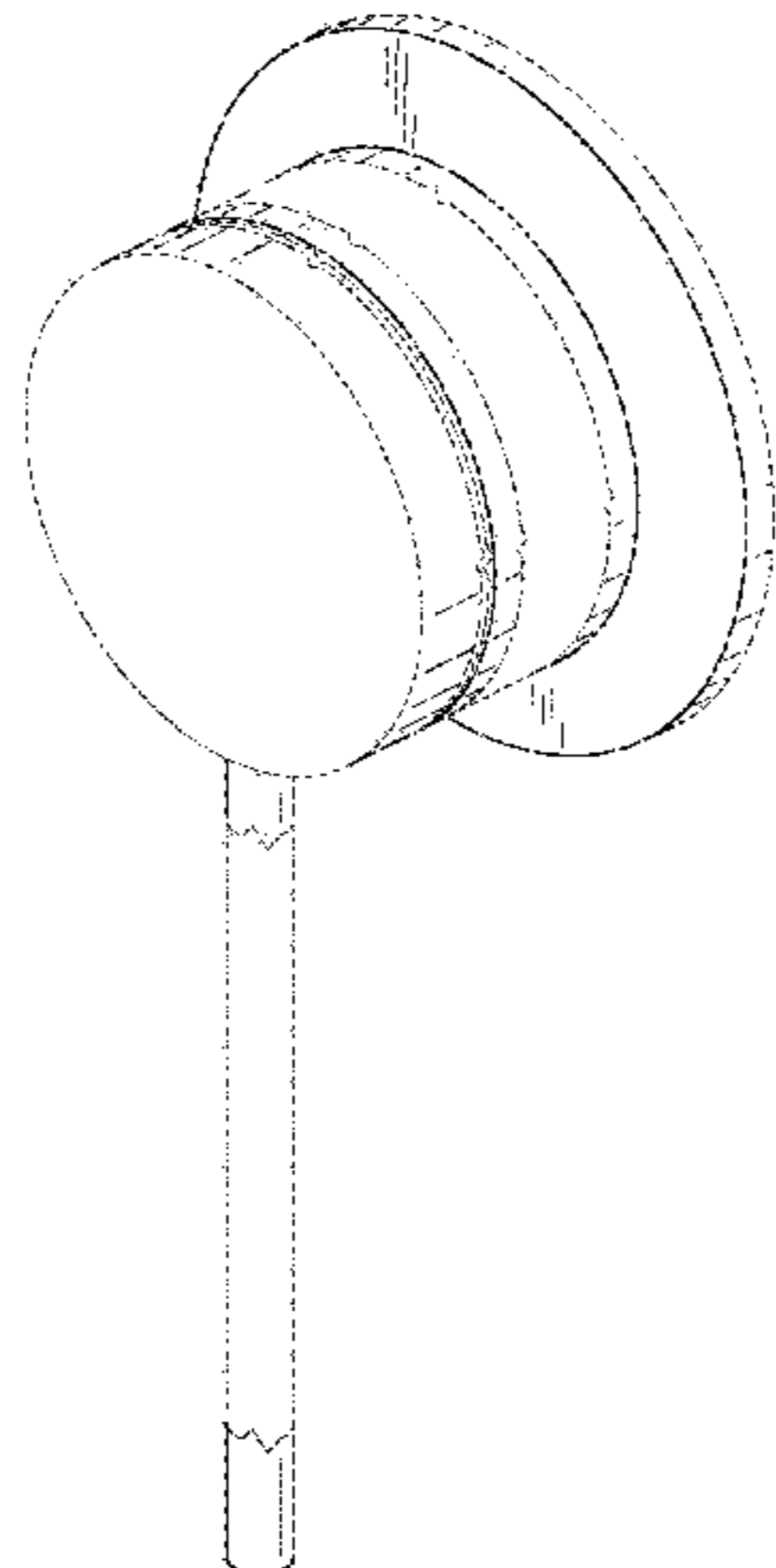
Related U.S. Application Data

- (62) Division of application No. 29/810,664, filed on Oct. 7, 2021, now Pat. No. Des. 963,128, which is a division of application No. 29/753,305, filed on Sep. 30, 2020, now Pat. No. Des. 935,003, which is a division of application No. 29/641,459, filed on Mar. 22, 2018, now Pat. No. Des. 901,638, which is a division of application No. 29/595,290, filed on Feb. 27, 2017, now Pat. No. Des. 823,440.
- (51) **LOC (14) Cl.** **23-01**
- (52) **U.S. Cl.**
USPC **D23/254**
- (58) **Field of Classification Search**
USPC D23/250–252, 254; D8/307–308
CPC Y10T 137/9464; Y10T 137/6014; Y10T
137/6017
See application file for complete search history.

References Cited

U.S. PATENT DOCUMENTS

D59,314 S	10/1921	Winsen
D63,931 S	2/1924	Bowden
D110,995 S	8/1938	Bellem, Jr.
D127,734 S	6/1941	Dreyfuss
D254,265 S	2/1980	Karamian
4,499,630 A	2/1985	Harris
D279,213 S	6/1985	Paul
D292,820 S	11/1987	Kemp



D622,820 S	8/2010	Bouroullec et al.
D624,991 S	10/2010	Kulig
D627,858 S	11/2010	Hanna
D627,861 S	11/2010	Sandee
D631,726 S	2/2011	Sanchez
D635,651 S	4/2011	Schoenherr et al.
D636,061 S	4/2011	Kulig
D636,062 S	4/2011	Rubin et al.
D637,271 S	5/2011	Lin
D641,456 S	7/2011	Bickerstaffe et al.
D643,095 S	8/2011	Matsuura et al.
D644,912 S	9/2011	Benhold
D655,786 S	3/2012	Fukasawa
D666,276 S	8/2012	Fritz
D673,652 S	1/2013	Thomas
D676,531 S	2/2013	Vibe-Petersen
D697,589 S	1/2014	Georgeson
D698,420 S	1/2014	Hahn
D704,802 S	5/2014	Hahn et al.
D705,892 S	5/2014	Standefer et al.
D713,008 S	9/2014	Citterio
D713,236 S	9/2014	Park
D714,915 S	10/2014	Von Der Lancken et al.
D722,259 S	2/2015	Conner
D724,698 S	3/2015	Kulig
D726,883 S	4/2015	Flowers et al.
D735,297 S	7/2015	Sieger
D750,203 S	2/2016	Flowers et al.
D754,295 S	4/2016	Lord
D755,350 S	5/2016	Rexach
D755,352 S	5/2016	Mitsuoka
D758,545 S	6/2016	Yabu et al.
D761,387 S	7/2016	Yabu et al.
D767,724 S	9/2016	Flowers et al.
D769,417 S	10/2016	Rexach
D771,224 S	11/2016	Flowers et al.
D772,037 S	11/2016	Zimmer
D781,126 S	3/2017	Pionek
D786,406 S	5/2017	Schoenherr et al.
D787,020 S	5/2017	Ziemann et al.
D787,638 S	5/2017	Schoenherr et al.
D793,534 S	8/2017	Fritz
D803,989 S	11/2017	Flowers et al.
D807,476 S	1/2018	Haug et al.
D811,529 S	2/2018	Schoenherr et al.
D811,532 S	2/2018	Schoenherr et al.
D811,552 S	2/2018	Fritz
D813,988 S	3/2018	Schoenherr et al.
D813,990 S	3/2018	Schoenherr et al.
D820,238 S	6/2018	Boshernitzan
D827,456 S	9/2018	Seum
D855,762 S	8/2019	Stuart
D879,055 S	3/2020	Altonen
D882,891 S	4/2020	Ayers
D890,754 S	7/2020	Raken
D937,980 S	12/2021	Williams et al.
11,306,831 B2	4/2022	Johnston
2022/0056677 A1	2/2022	Kam
2022/0095848 A1	3/2022	Wu et al.
2022/0136221 A1	5/2022	Wu

FOREIGN PATENT DOCUMENTS

DE 10 2019 005 946 A1 2/2021

OTHER PUBLICATIONS

Amazon.co.uk, “5.5MM Tungsten Carbide High Polish Finish Multi-faceted Wedding Band Ring”, Internet, URL: https://www.amazon.co.uk/Tungsten-Carbide-Polish-Multi-Faceted-Wedding/dp/B005IRP244/ref=cm_cr_ar_p_d_img_top?ie=UTF8 dated Oct. 24, 2012 (2 pages).

Amazon.co.uk, “Elli Women’s 925 Sterling Silver Rose Ring Gold Plated Xilion Cut Ring, Size N”, Internet, URL: https://www.amazon.co.uk/EI-li-Womens-Sterling-Silver-Plated/dp/B01LPSPKCI/ref=sr_1_79?keywords=hexagon+ring&qid=1566577892&s=gateway&sr=8-79, dated Oct. 11, 2016 (3 pages).

Amazon.co.uk, “JewelryWE 7MM Comfort Fit Black Multi Faceted Mens Ladies Ring Engagement Wedding Band”, Internet, URL: https://www.amazon.co.uk/JewelryWe-Arrivals-Comfort-Faceted-Engagement/dp/B00DU9FOUE/ref=cm_cr_ar_p_d_img_top?ie=UTF8 dated Jul. 13, 2013 (9 pages).

Amazon.com, “712-C Chrome Single Handle Kitchen Faucet”, Internet URL: <https://www.amazon.com/MR-Direct-712-ABR-Antique-Kitchen/dp/B00908F4AA?th=1>, dated May 6, 2009 (7 pages).

Amazon.com, “American Standard 7105801.002 Studio S Widespread Bathroom Faucet with Lever Handles, Polished Chrome”, Internet URL: https://www.amazon.com/American-Standard-7105801-002-Widespread-Bathroom/dp/B075QBJT8C/ref=sr_1_5?crid=2F1THK82YM9C4&keywords=Studio%2BS%2BWidespread%2BBathroom%2BFaucet%2Bwith%2BLever%2BHandles&qid=1641838973&prefix=studio%2Bs%2Bwidespread%2Bbathroom%2Bfaucet%2Bwith%2Blever%2Bhandles%2Caps%2C89&sr=8-5&th=1, dated Jan. 23, 2017 (10 pages).

Amazon.com, “Delta Faucet Trinsic Single-Handle Kitchen Sink Faucet with Pull Out Sprayer and Diamond Seal Technology, Matte Black 4159-BL-DST”, Internet URL: https://www.amazon.com/Faucet-4159-BL-DST-Signature-Pull-Out-Kitchen/dp/B00DGY15U6/ref=sr_1_52?crid=3KJMU9V0YNH6E&keywords=delta%2Bsingle%2BHandle%2BPull%2Bout%2BKitchen%2BFaucet%2Bin%2BArctic%2BStainless&qid=1641838832&prefix=delta%2Bsingle%2Bhandle%2Bpull%2Bout%2BKitchen%2Bfaucet%2Bin%2BArctic%2Bstainless%2Caps%2C76&sr=8-52&th=1, dated.

Amazon.com, “K7 Single-Handle Pull-Out Kitchen Faucet”, Internet URL: https://www.amazon.com/K7-Single-Handle-Pull-Out-Kitchen-Faucet/dp/B004LGOBSG/ref=sr_1_16?crid=2EHX8G46P55JZ&keywords=GROHE%2BK7%2BSingle%2BHandle%2BPull%2Bout%2BKitchen%2BFaucet%2Bin%2BStarLight%2CAE%2BChrome&qid=1641838625&prefix=grohe%2Bk7%2Bsingle%2Bhandle%2Bpull%2Bout%2BKitchen%2Bfaucet%2Bin%2Bstarlight%2Bchrome%2Caps%2C158&sr=8-16&th=1, dated Aug. 3, 2010 (9 pages).

HotelManagement.net, “Classy faucet: The Wheel by Waterstone”, Internet, URL: <https://www.hotelmanagement.net/design-trends/classy-faucet-wheel-by-waterstone>, dated Sep. 29, 2016 (4 pages).

Non-Final Office Action on U.S. Appl. No. 29/658,297 dated Sep. 5, 2019 (9 pages).

Notice of Allowance on U.S. Appl. No. 29/641,444 dated Sep. 17, 2019 (8 pages).

NPL_Allmodern_Single_Handle; 6 pgs.

NPL_Allmodern_Single_Handle_Bathroom; 6pgs.

Primary Examiner — Robert A Delehanty
(74) *Attorney, Agent, or Firm* — Foley & Lardner LLP

(57) **CLAIM**

We claim the ornamental design for a shower controller, as shown and described.

DESCRIPTION

FIG. 1 is a top, front, right perspective view of the claimed design;
 FIG. 2 is a front elevation view of the embodiment of FIG. 1;
 FIG. 3 is a right side elevation view of the embodiment of FIG. 1;
 FIG. 4 is a left side elevation view of the embodiment of FIG. 1;
 FIG. 5 is a top plan view of the embodiment of FIG. 1;
 FIG. 6 is a bottom plan view of the embodiment of FIG. 1;
 and,
 FIG. 7 is a rear elevation view of the embodiment of FIG. 1.
 The ornamental design which is claimed is shown in solid lines in the drawings. The broken lines in the drawings are

for illustrative purposes only and form no part of the claimed design. Broken lines formed by equal length dashes show unclaimed subject matter. Broken lines formed by unequal length dashes (i.e., dash-dot) define bounds of the claimed design. Any appearance of the article between the broken away symbols form no portion of the claimed design.

1 Claim, 5 Drawing Sheets

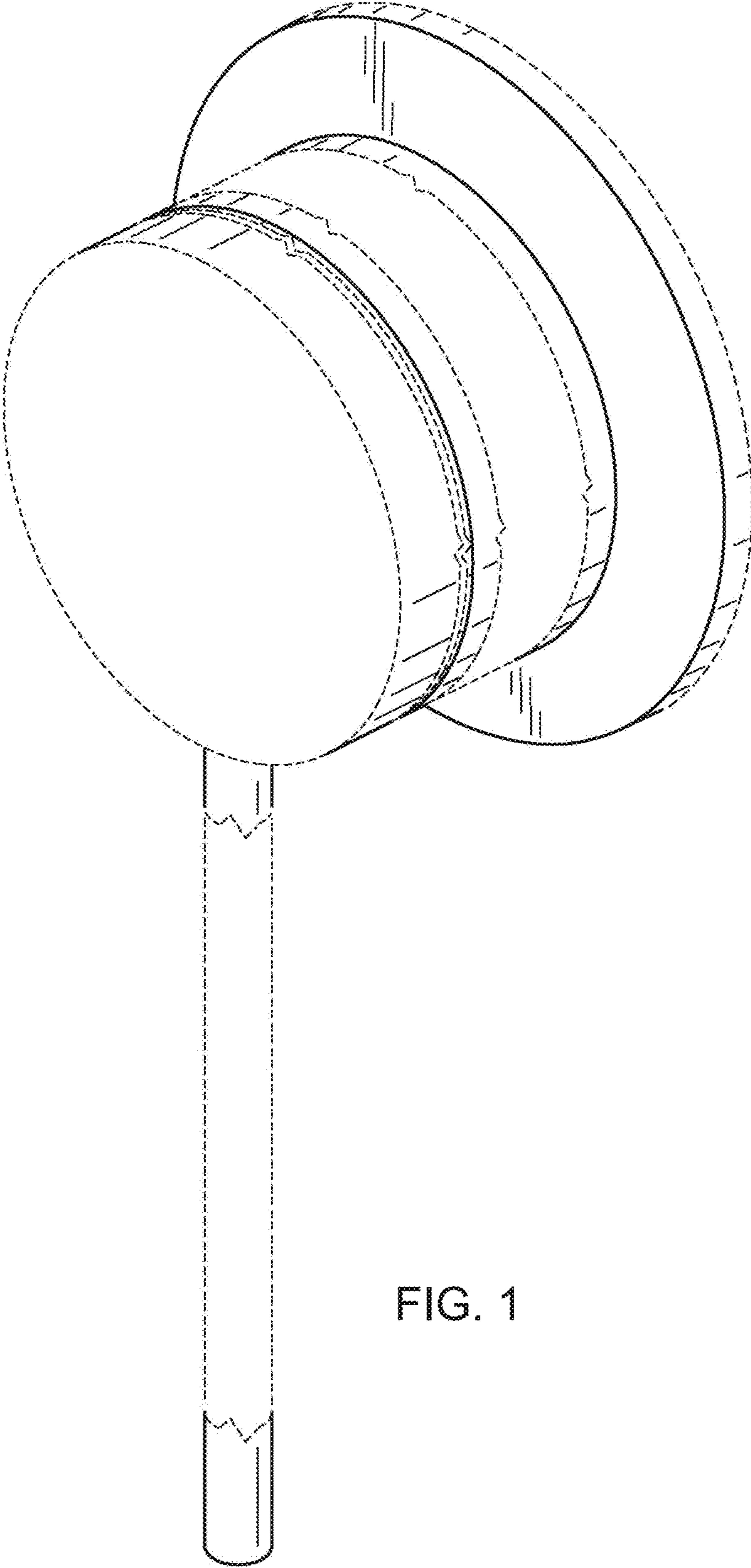


FIG. 1

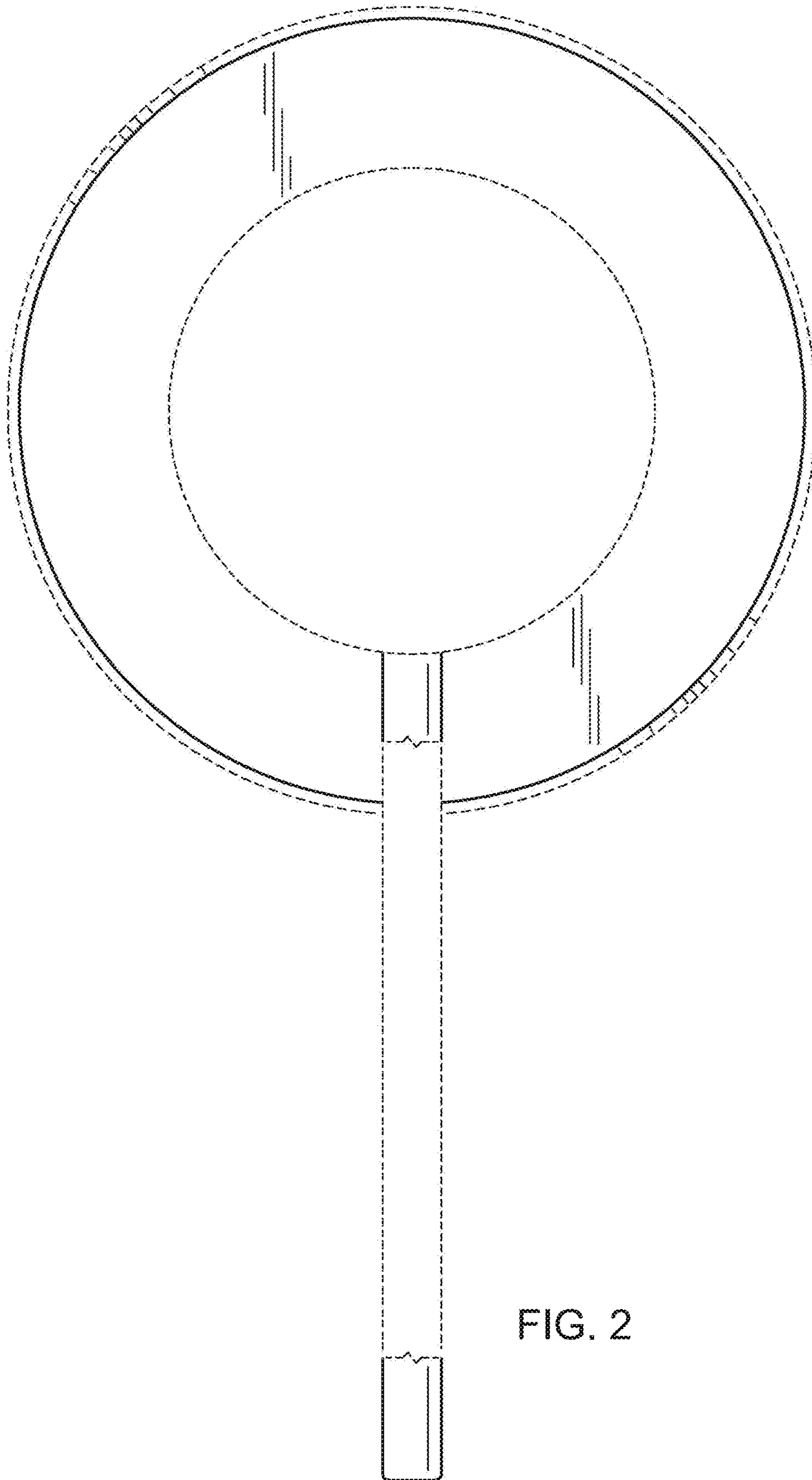


FIG. 2

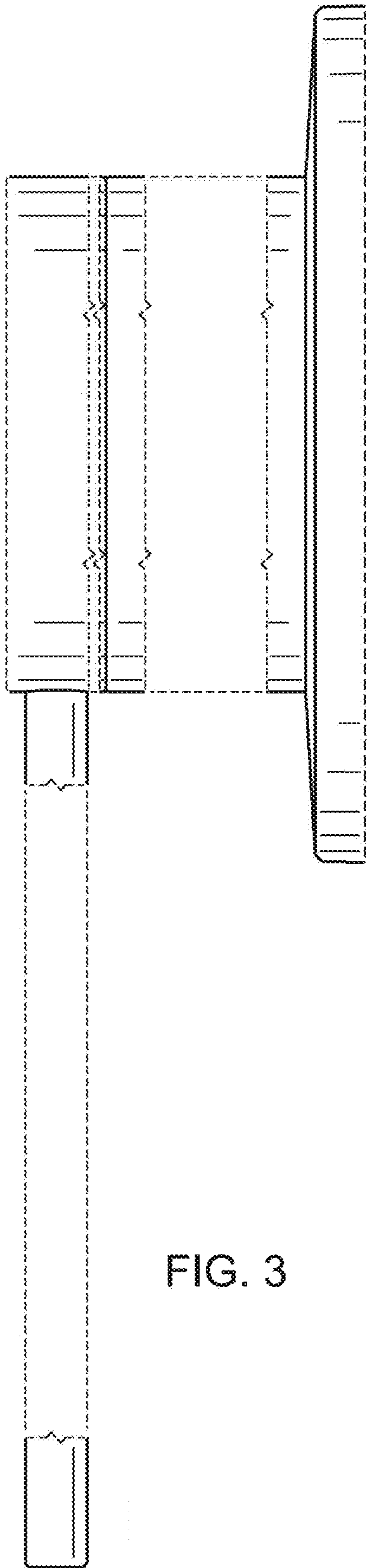


FIG. 3

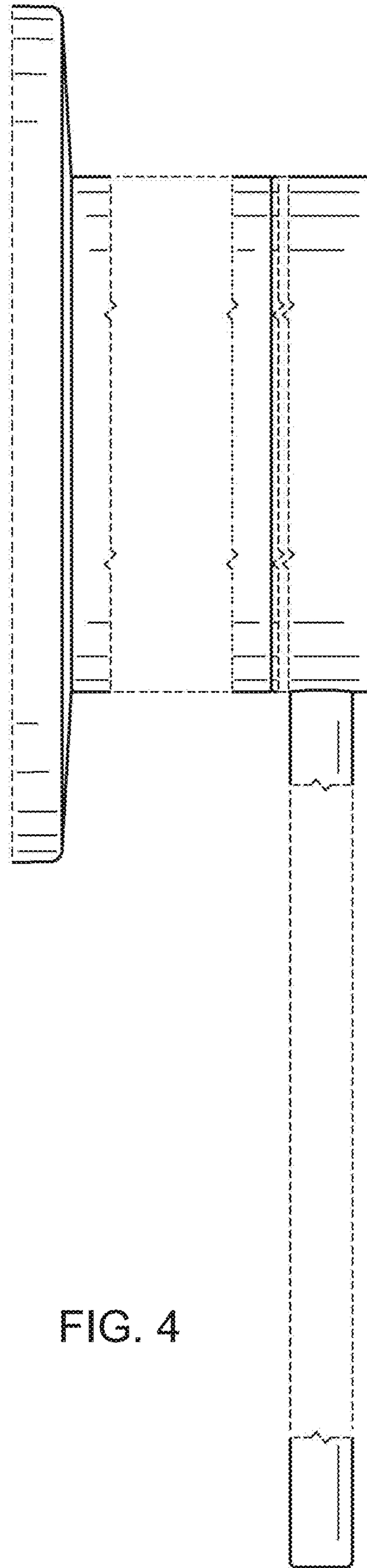


FIG. 4

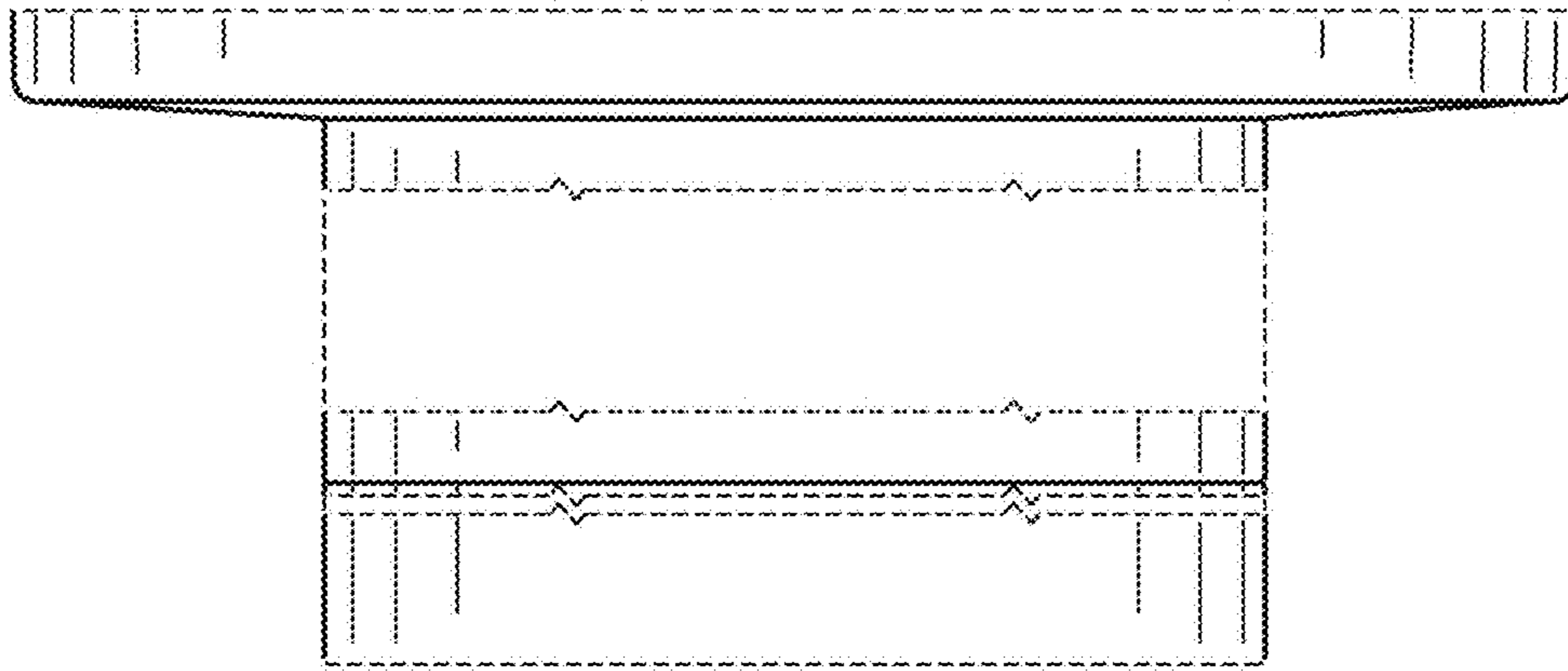


FIG. 5

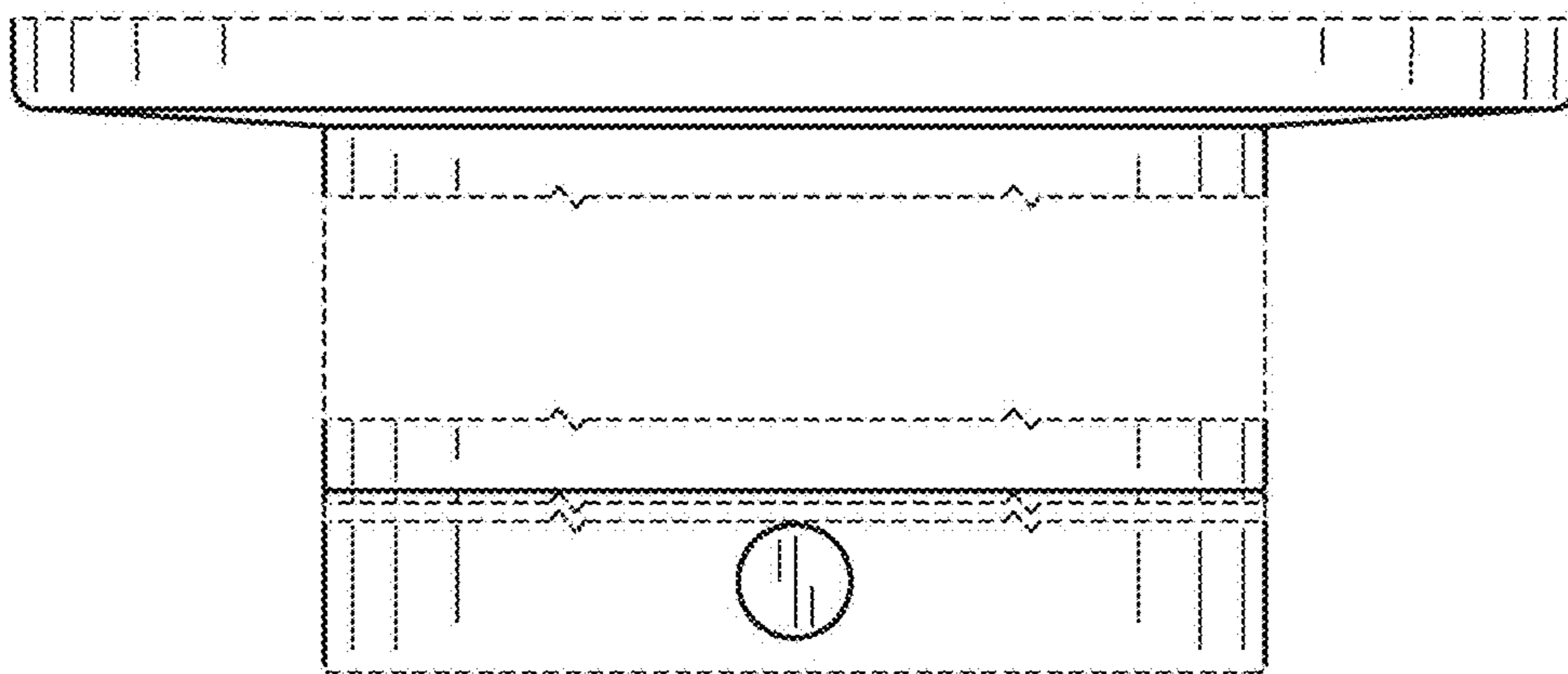


FIG. 6

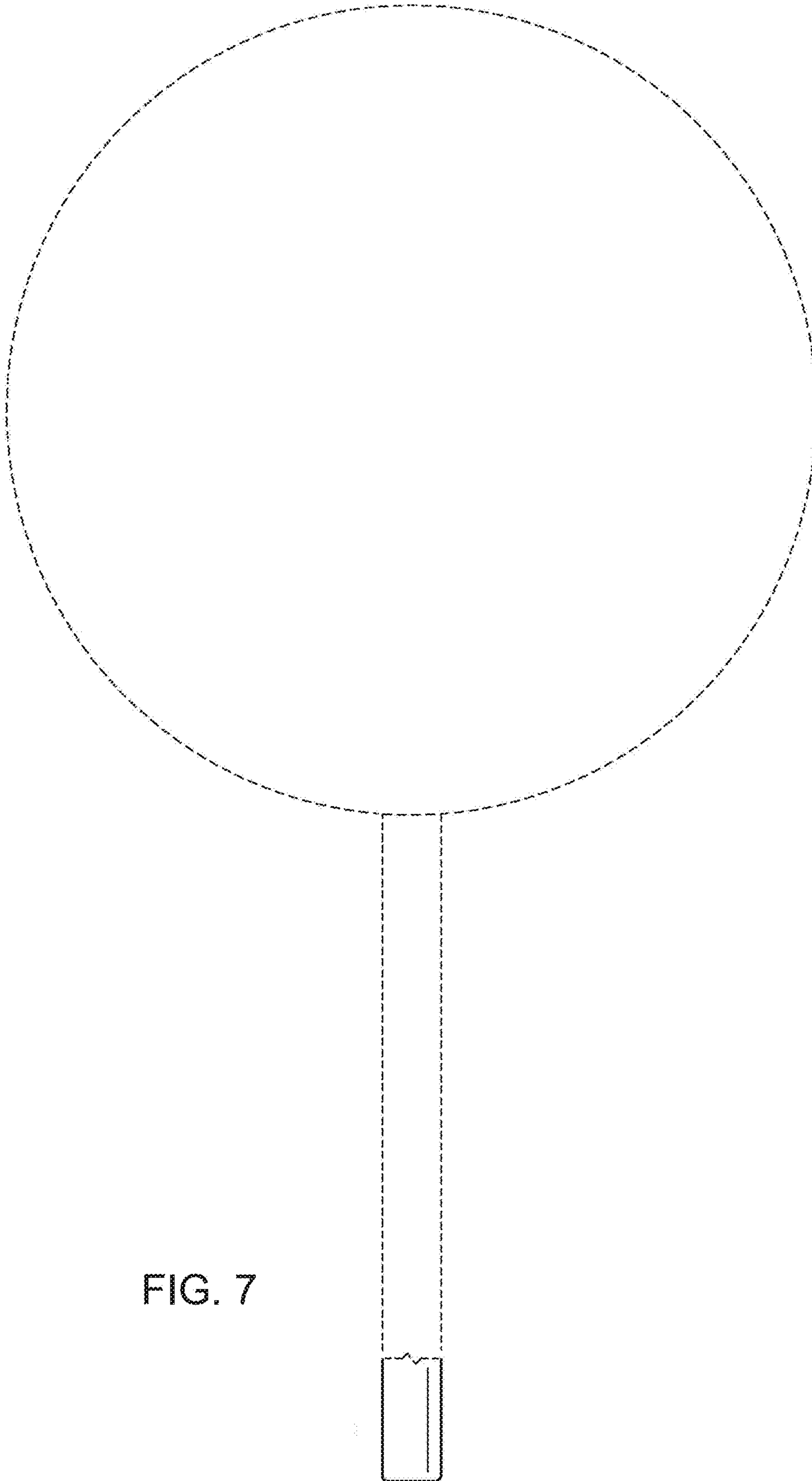


FIG. 7