



US00D989922S

(12) **United States Design Patent**
Stoler et al.

(10) **Patent No.:** **US D989,922 S**
(45) **Date of Patent:** **** Jun. 20, 2023**

(54) **FAUCET HANDLE**

D954,217 S * 6/2022 Garland D23/252
D970,698 S * 11/2022 Yang D23/238

(71) Applicant: **DELTA FAUCET COMPANY**,
Indianapolis, IN (US)

* cited by examiner

(72) Inventors: **Benjamin Stoler**, Carmel, IN (US);
Simon Elser, Indianapolis, IN (US)

Primary Examiner — Robert A Delehanty

(74) *Attorney, Agent, or Firm* — Jeffrey L. Doyle

(73) Assignee: **DELTA FAUCET COMPANY**,
Indianapolis, IN (US)

(57) **CLAIM**

(**) Term: **15 Years**

The ornamental design for a faucet handle, as shown and described.

(21) Appl. No.: **29/821,760**

(22) Filed: **Jan. 3, 2022**

(51) **LOC (14) Cl.** **23-01**

(52) **U.S. Cl.**
USPC **D23/252**

(58) **Field of Classification Search**
USPC D23/238, 250, 252, 254; D8/307–308
See application file for complete search history.

DESCRIPTION

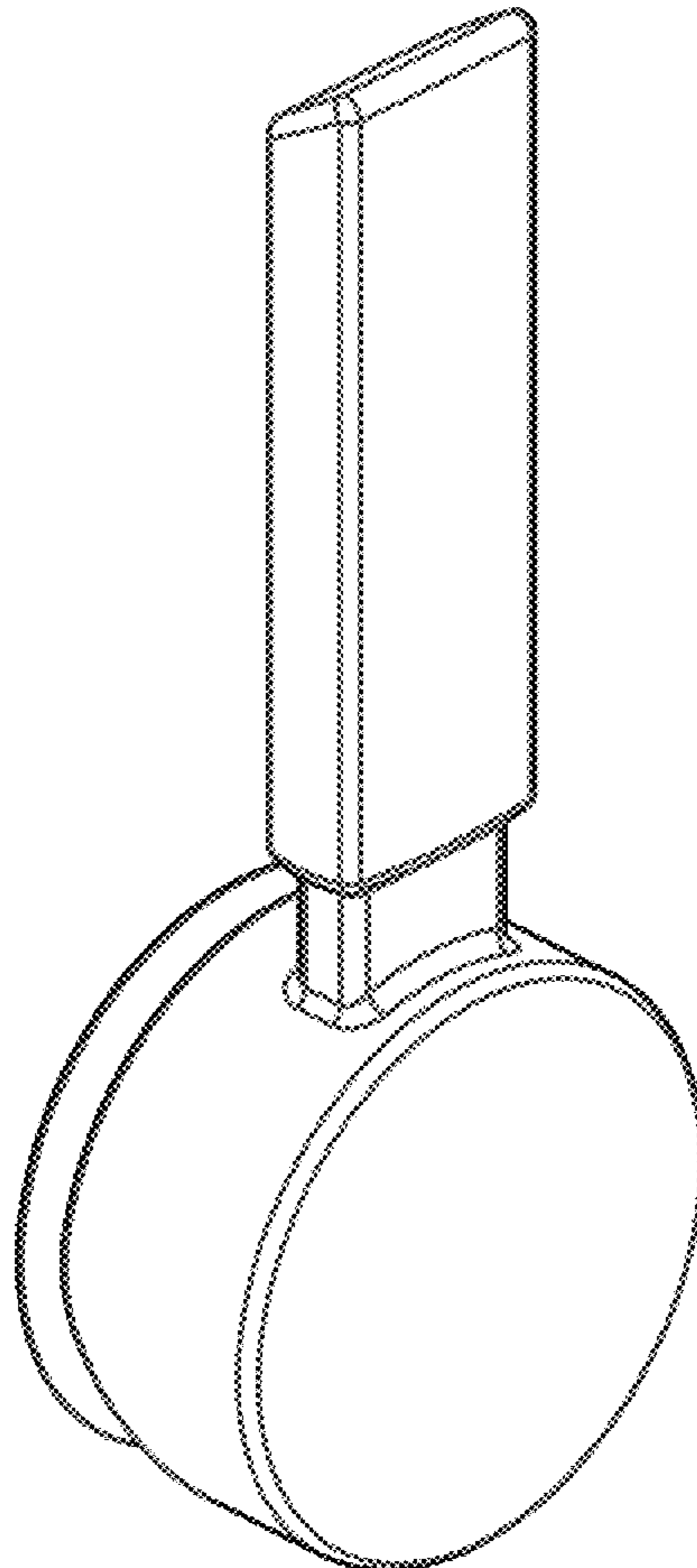
FIG. 1 is a front perspective view of a faucet handle showing our new design;
FIG. 2 is a rear perspective view thereof;
FIG. 3 is a front elevational view thereof;
FIG. 4 is a left side view thereof;
FIG. 5 is a rear view thereof;
FIG. 6 is a right side view thereof;
FIG. 7 is a top plan view thereof; and,
FIG. 8 is a bottom view thereof.

(56) **References Cited**

U.S. PATENT DOCUMENTS

D867,532 S * 11/2019 Liao D23/238
D941,433 S * 1/2022 Upadhyaya D23/252

1 Claim, 4 Drawing Sheets



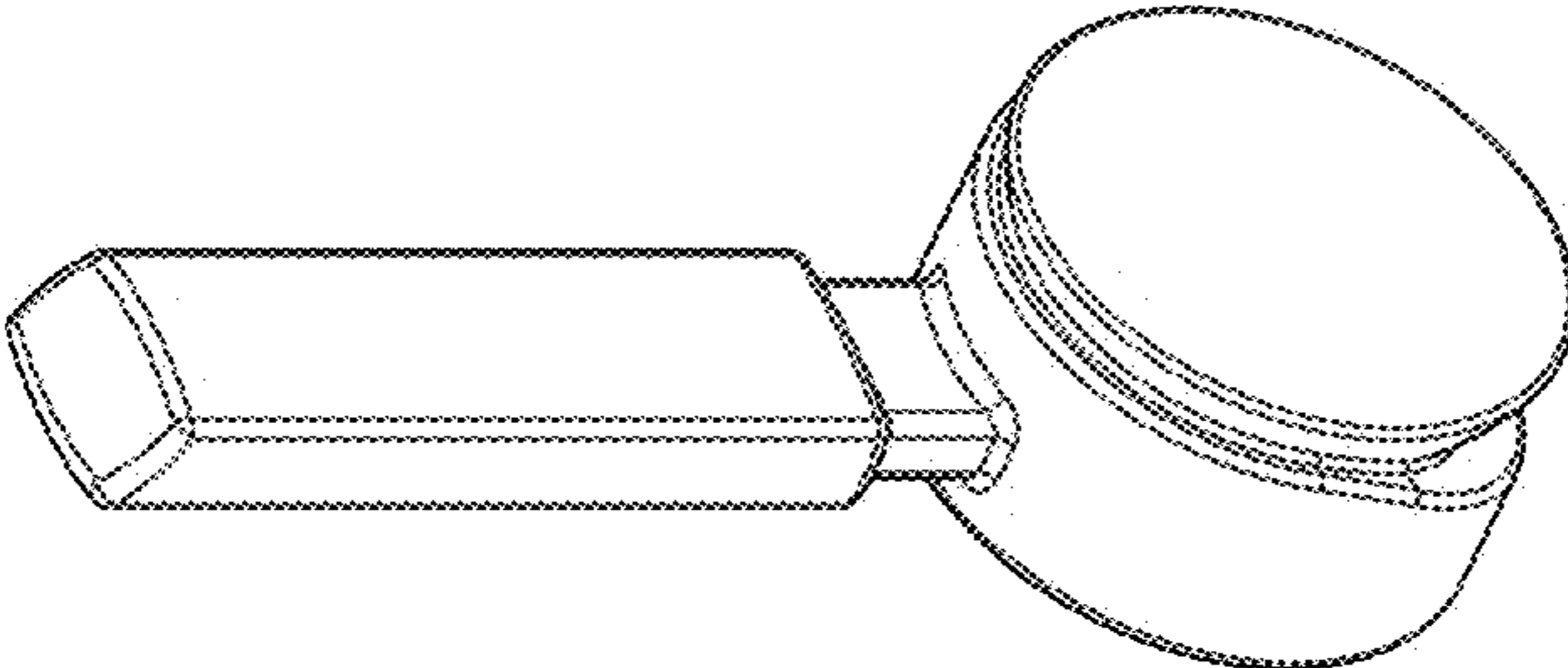


FIG - 2

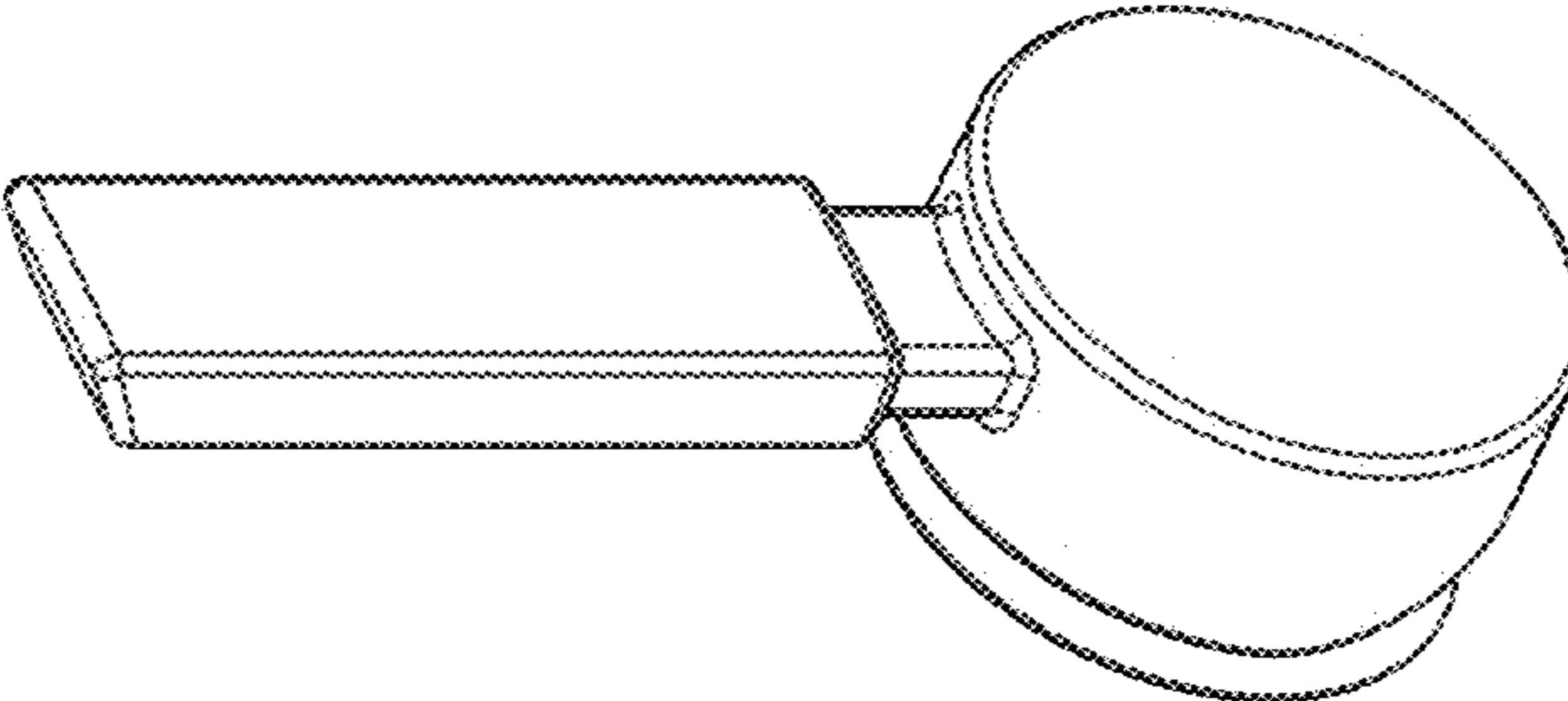


FIG - 1

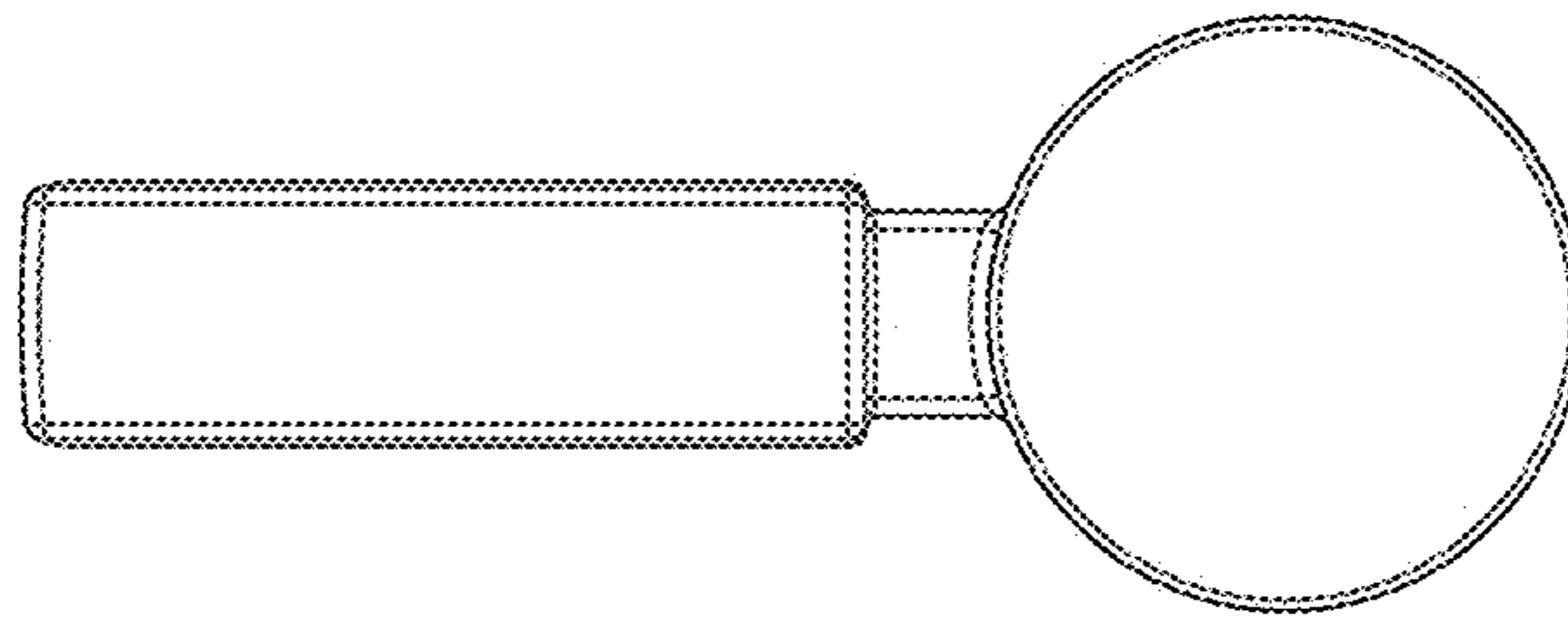


FIG - 4

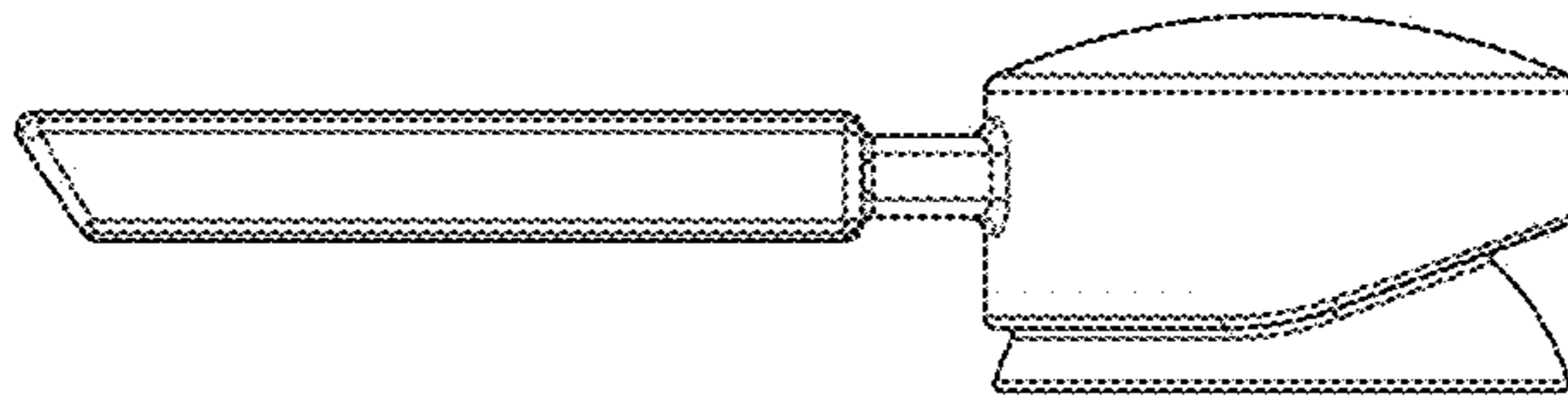


FIG - 3

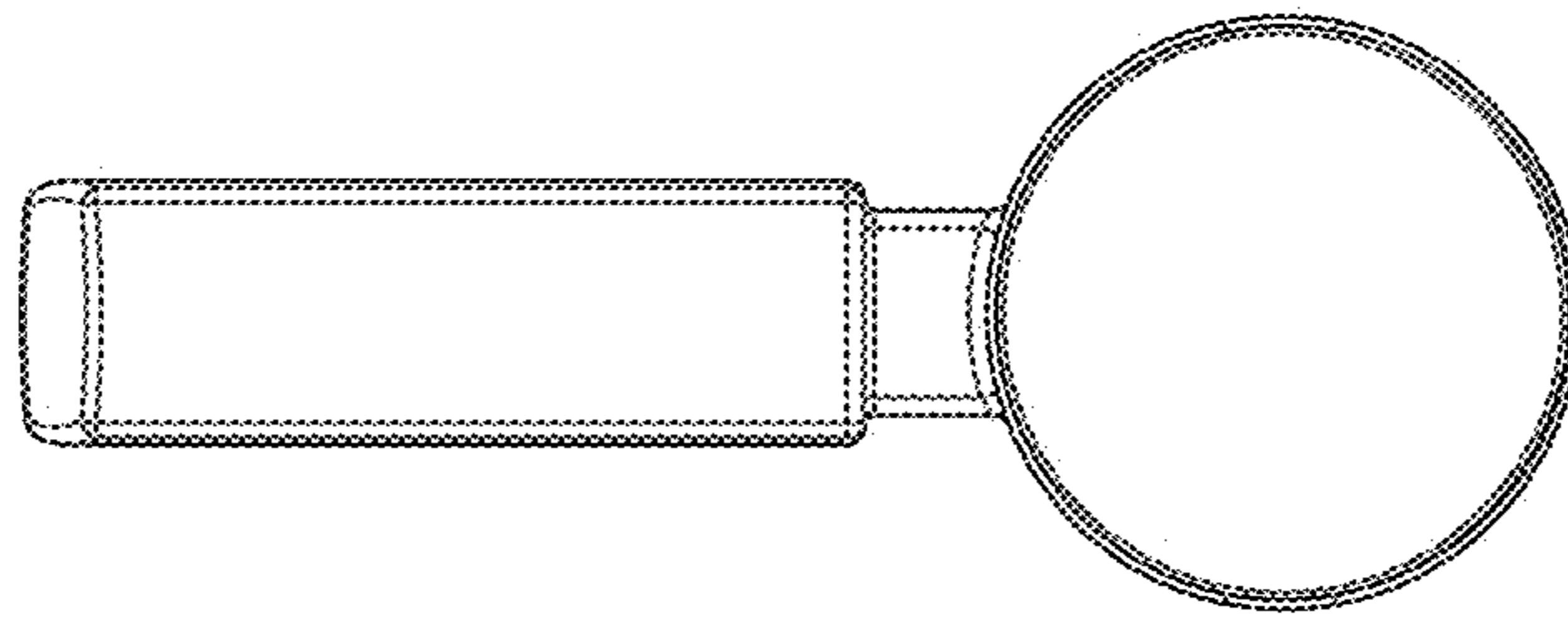


FIG - 6

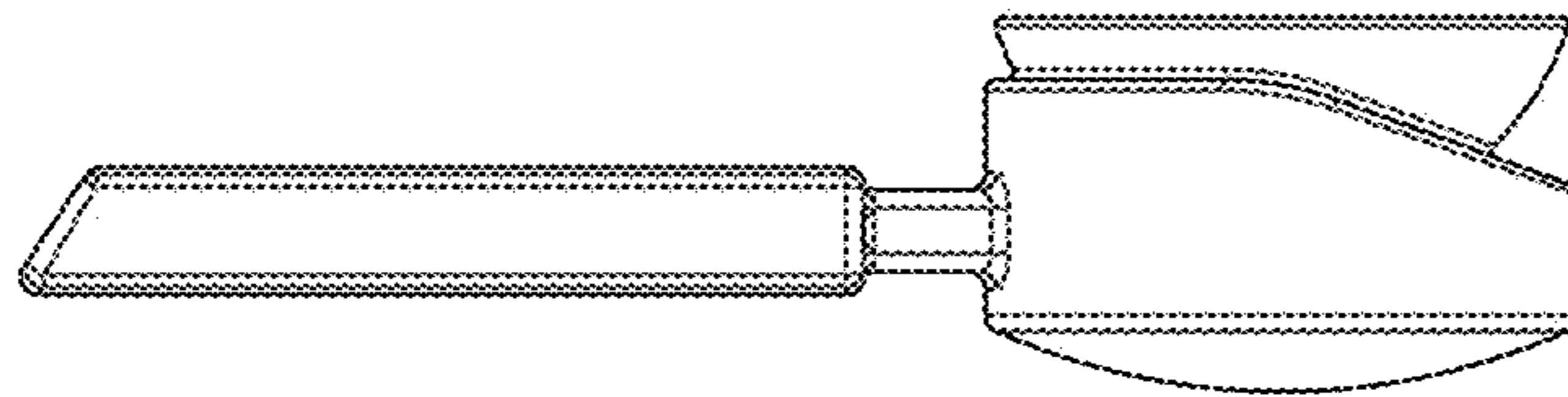


FIG - 5

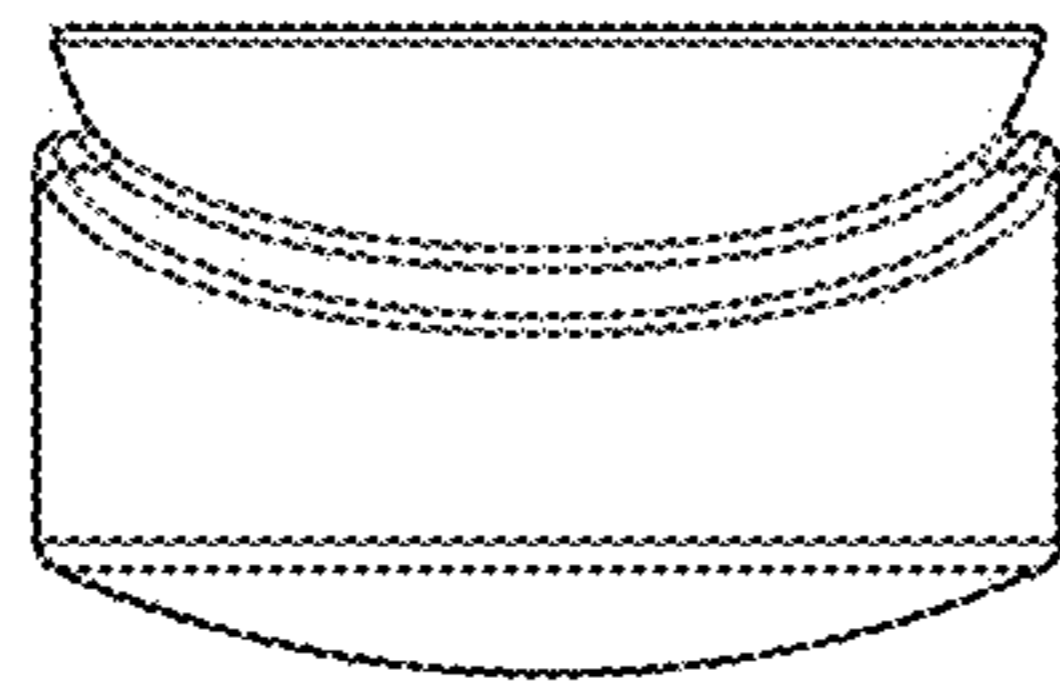


FIG - 8

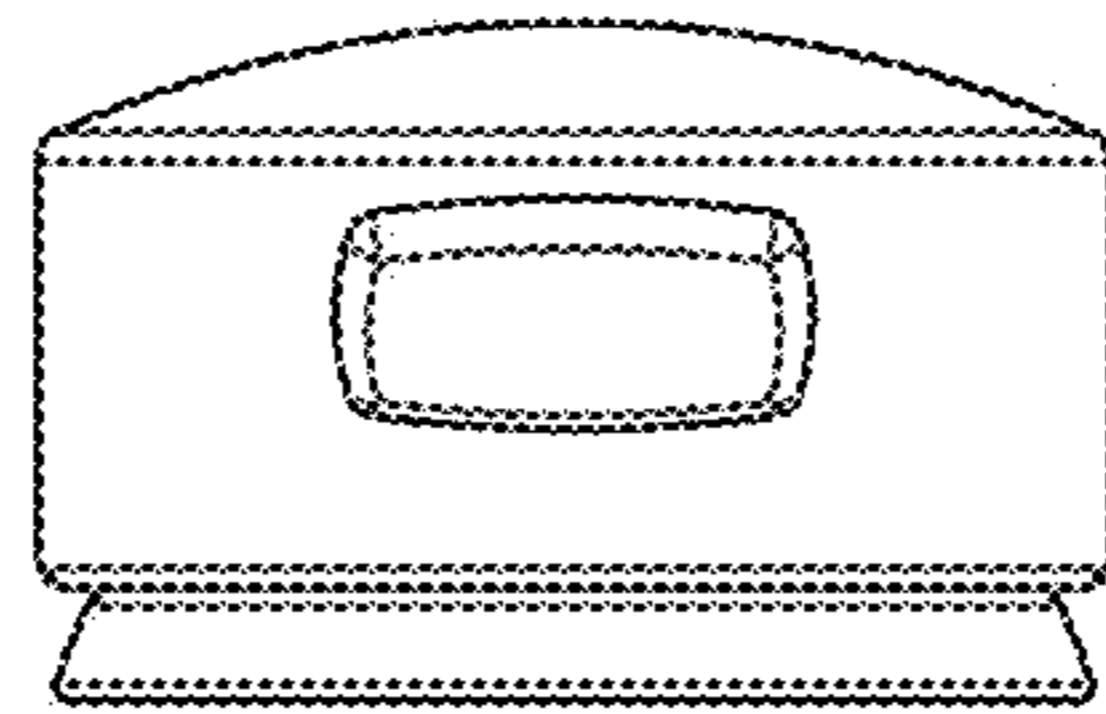


FIG - 7