



US00D989921S

(12) **United States Design Patent** (10) **Patent No.:** **US D989,921 S**
Soulier et al. (45) **Date of Patent:** **** Jun. 20, 2023**

(54) **FAUCET**
(71) Applicant: **Kohler Co.**, Kohler, WI (US)
(72) Inventors: **Jean-Hugues Soulier**, Paris (FR);
Ferran Serra Sola, Paris (FR)
(73) Assignee: **KOHLER CO.**, Kohler, WI (US)
(**) Term: **15 Years**

D535,360 S 1/2007 Noth et al.
D555,771 S 11/2007 Noth et al.
D579,520 S 10/2008 Chenesseau
D623,275 S 9/2010 Rubin et al.
D636,062 S 4/2011 Rubin et al.
D654,389 S 2/2012 Gordon
D677,365 S 3/2013 Schoenherr et al.
D760,065 S 6/2016 Kuehn
D802,100 S 11/2017 Kirar et al.
(Continued)

(21) Appl. No.: **29/849,648**
(22) Filed: **Aug. 12, 2022**

Related U.S. Application Data

(62) Division of application No. 29/815,923, filed on Nov. 17, 2021, now Pat. No. Des. 963,800, which is a division of application No. 29/767,094, filed on Jan. 20, 2021, now Pat. No. Des. 939,053, which is a division of application No. 29/638,370, filed on Feb. 27, 2018, now Pat. No. Des. 912,208.

(51) **LOC (14) Cl.** **23-01**
(52) **U.S. Cl.**
USPC **D23/250**
(58) **Field of Classification Search**
USPC D23/250-252, 254; D8/307-308
CPC Y10T 137/9464; Y10T 137/6014; Y10T
137/6017

See application file for complete search history.

(56) **References Cited**

U.S. PATENT DOCUMENTS

D235,125 S 5/1975 Schlachter
D253,607 S 12/1979 Haug
D260,234 S 8/1981 Johnson, Jr.
D266,452 S 10/1982 Fleischmann et al.
D291,232 S 8/1987 Haug et al.
D291,238 S 8/1987 Haug et al.
D291,239 S 8/1987 Haug et al.
D304,225 S 10/1989 Lathrop
D354,798 S 1/1995 Mark
D513,060 S 12/2005 Ouyoung
D531,267 S 10/2006 Hundley

OTHER PUBLICATIONS

Build.com, "Hansgrohe Axor Uno Loop", Internet URL: https://www.build.com/product/summary/1667453?uid=3940091&jmtest=gg-gbav2_3940091&inv2=1&&source=gg-gba-pla_3940091!c1704086357!a66021778985!dc!ng&gclid=Cj0KCQiA-K2MBhC-ARIsAMtLKRUbZbhAsApT0en6awskFYpBJ4adVV1k4rXAP4vNG7iomLyLkyimK5caAv3FEALw_wcB&gclsrc=aw.ds, dated Jan. 14, 2016.

(Continued)

Primary Examiner — Robert A Delehanty

(74) *Attorney, Agent, or Firm* — Foley & Lardner LLP

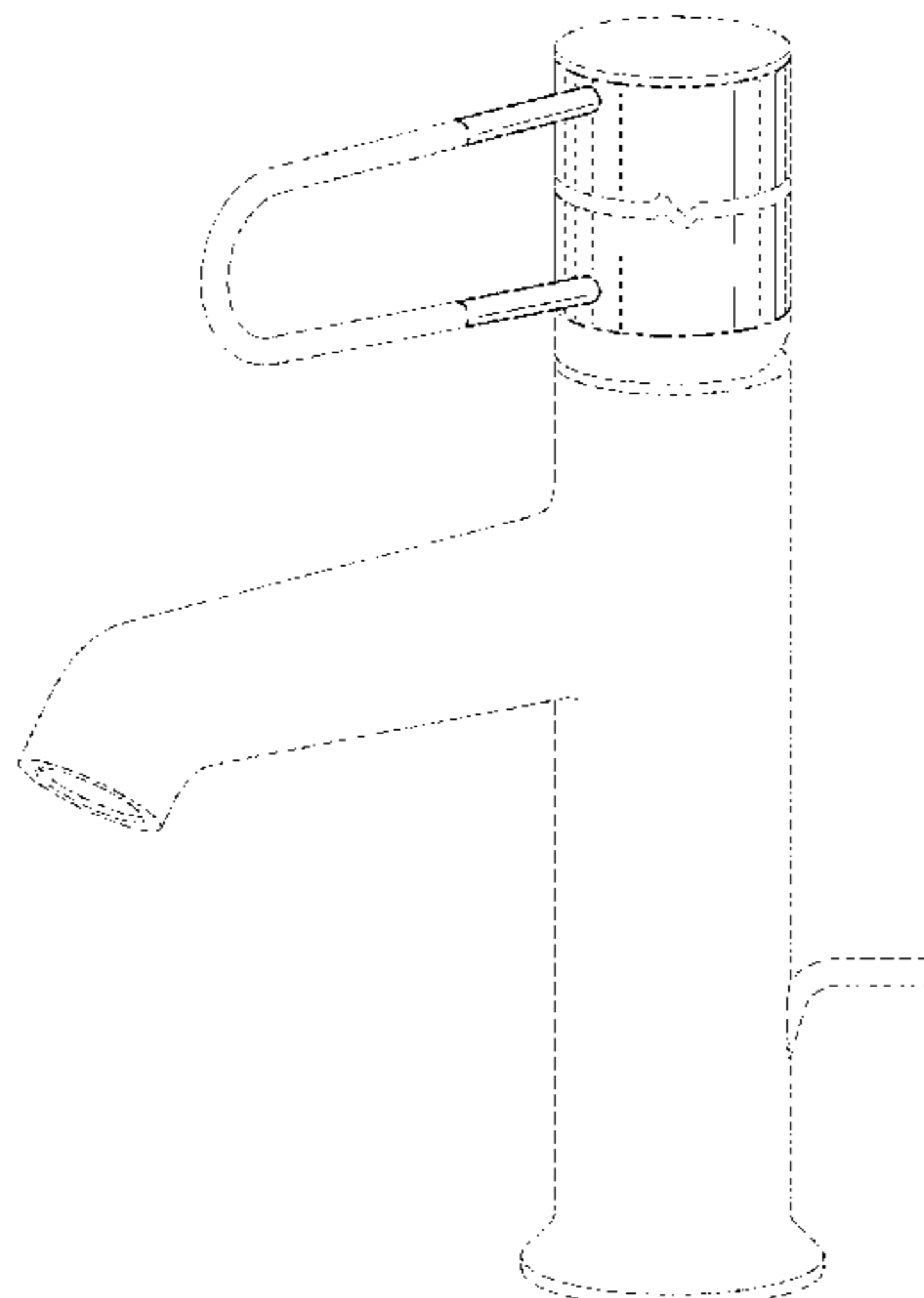
(57) **CLAIM**

We claim the ornamental design for a faucet, as shown and described.

DESCRIPTION

FIG. 1 is a perspective view of the claimed design; FIG. 2 is a front view of the embodiment of FIG. 1; FIG. 3 is a rear view of the embodiment of FIG. 1; FIG. 4 is a side view of the embodiment of FIG. 1; FIG. 5 is another side view of the embodiment of FIG. 1; FIG. 6 is a top view of the embodiment of FIG. 1; and, FIG. 7 is a bottom view of the embodiment of FIG. 1. The ornamental design which is claimed is shown in solid lines in the drawings. The broken lines in the drawings are for illustrative purposes only and form no part of the claimed design. Broken lines formed of unequal length dashes (i.e., dash-dot) define bounds of the claimed design.

1 Claim, 5 Drawing Sheets



(56)

References Cited

U.S. PATENT DOCUMENTS

D802,101 S 11/2017 Kirar et al.
D811,529 S 2/2018 Schoenherr et al.
D811,532 S 2/2018 Schoenherr et al.
D813,986 S 3/2018 Schoenherr et al.
D813,987 S 3/2018 Schoenherr et al.
D813,988 S 3/2018 Schoenherr et al.
D813,990 S 3/2018 Schoenherr et al.
D827,779 S 9/2018 Soulier
D828,908 S 9/2018 Merki
D867,545 S 11/2019 Chung
D938,552 S 12/2021 Moulton et al.

OTHER PUBLICATIONS

Build.com, "Hansgrohe Talis Loop", Internet URL: <https://www.build.com/hansgrohe-04702/s1374666>, dated Mar. 1, 2016.
Rectobuilders.com, "Delta Grail", Internet URL: www.rectobuilders.com:80/sites/deltafaucets/detalavfaucets.html, dated Jun. 8, 2013.

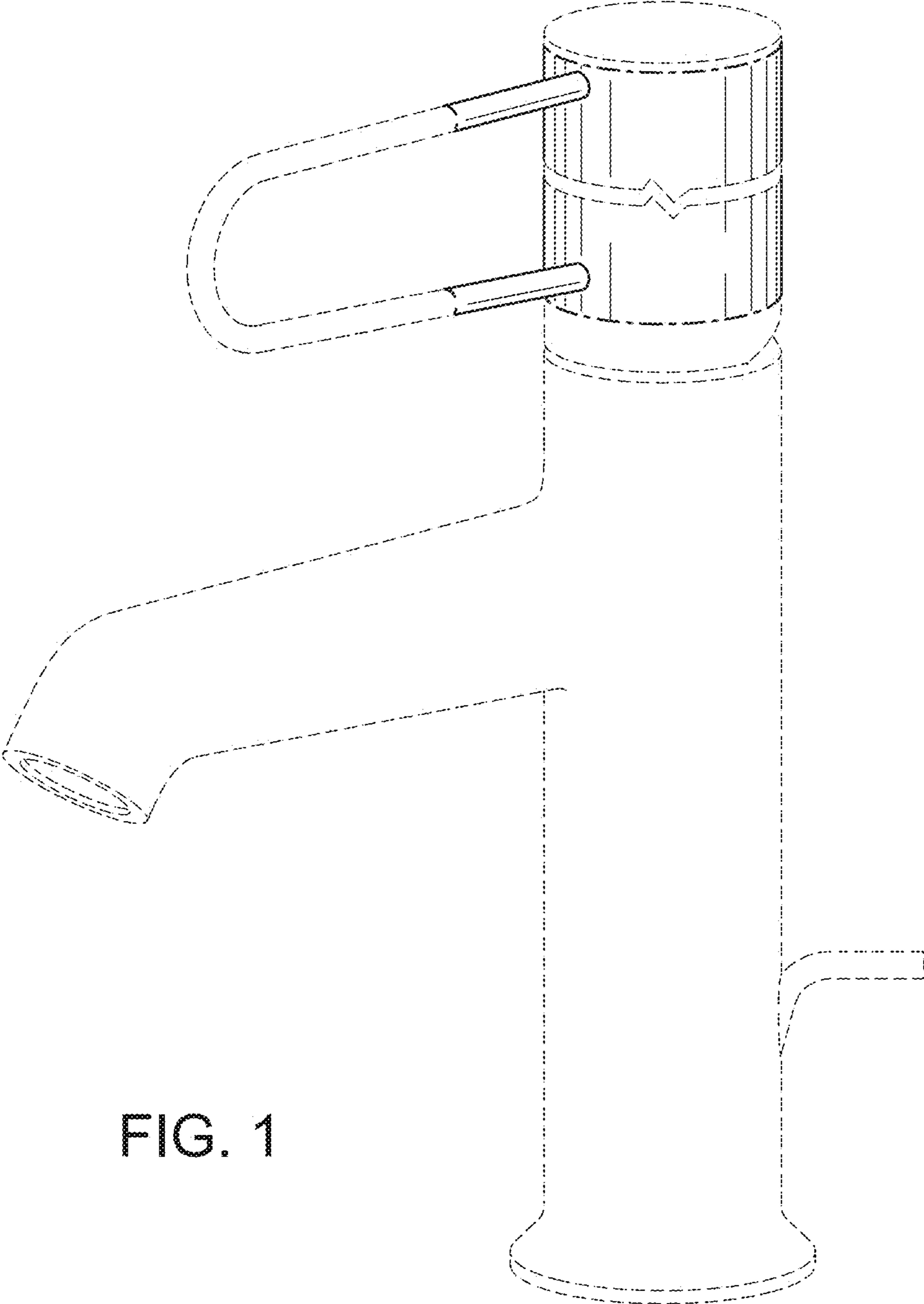


FIG. 1

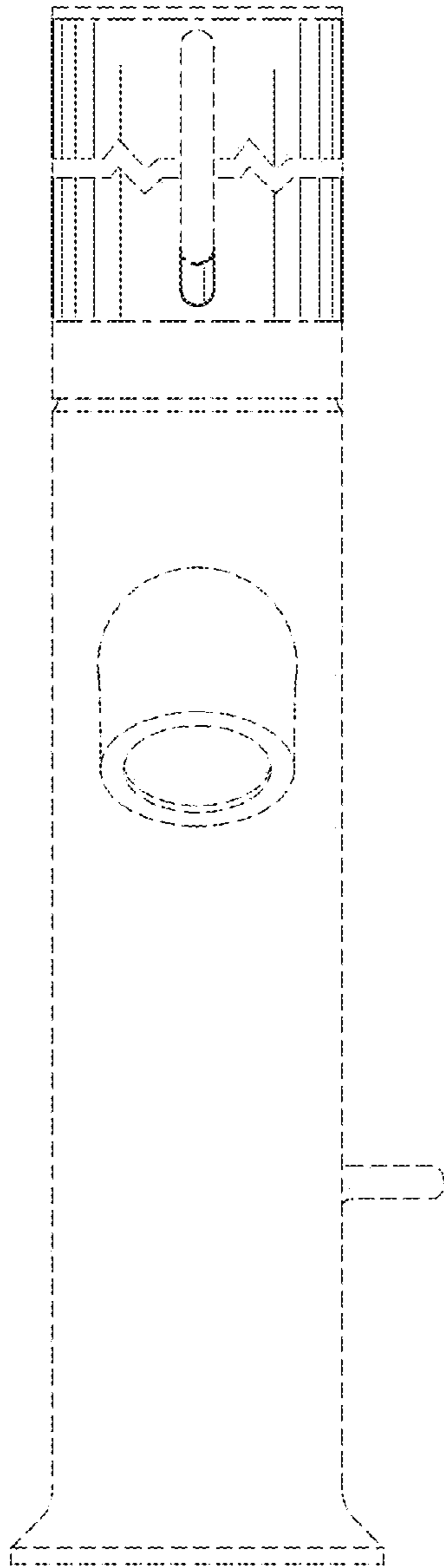


FIG. 2

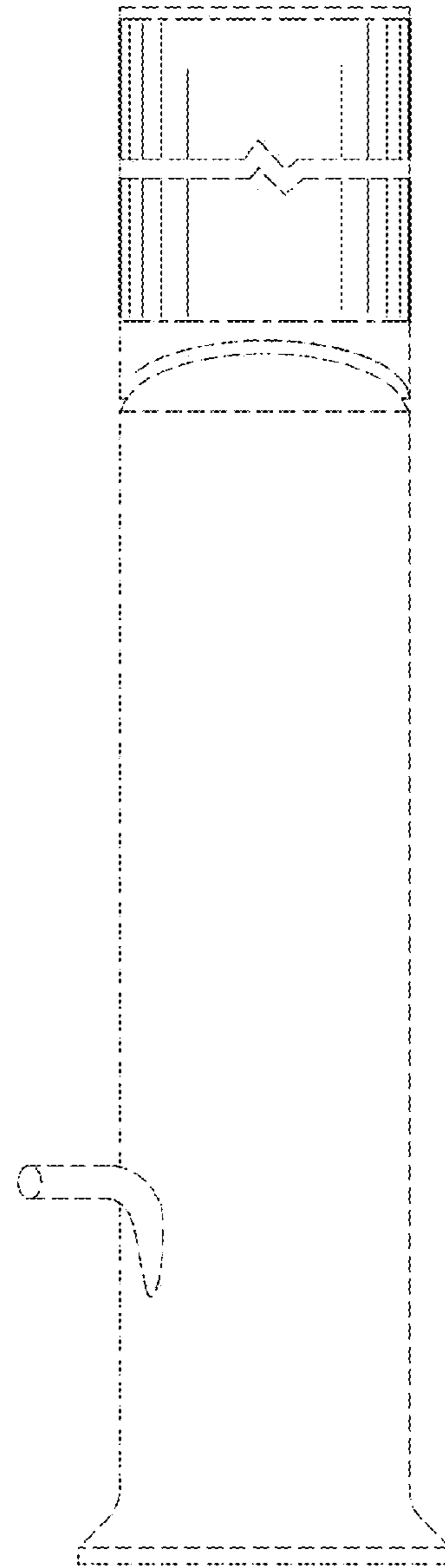


FIG. 3

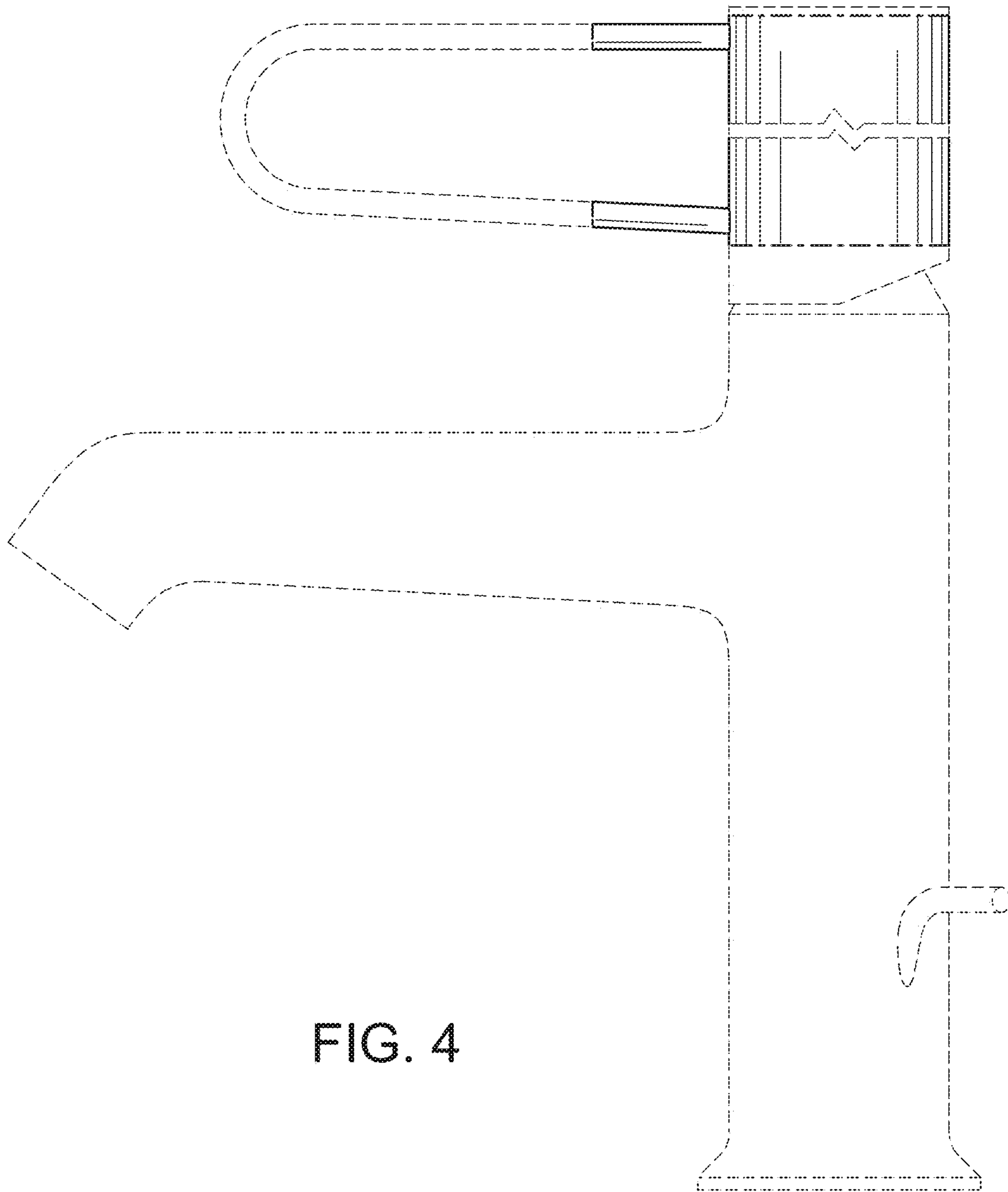


FIG. 4

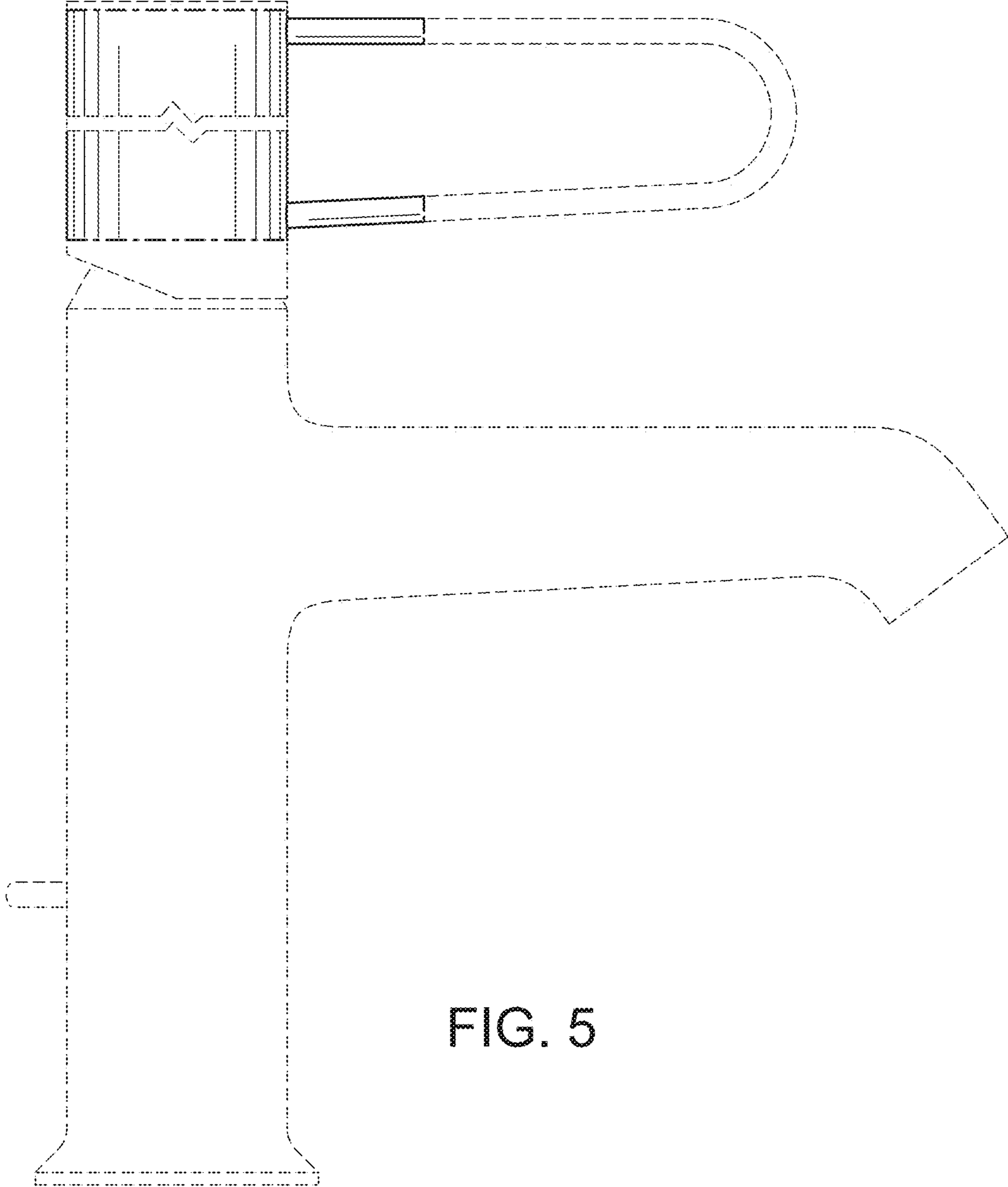


FIG. 5

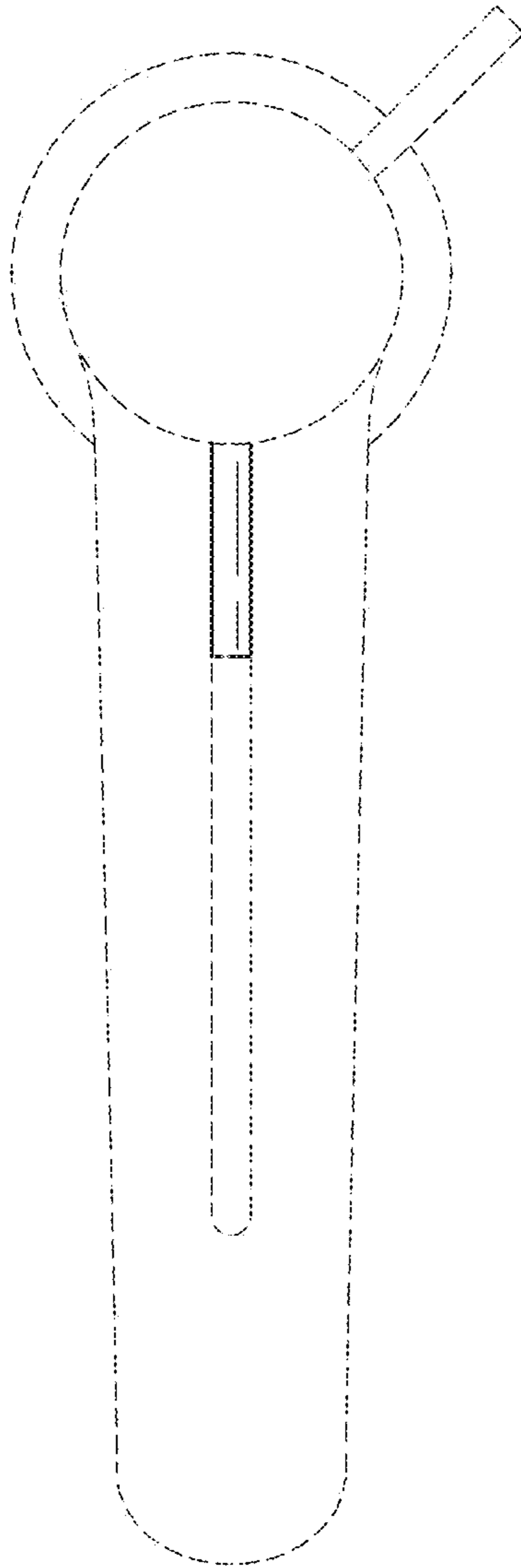


FIG. 6

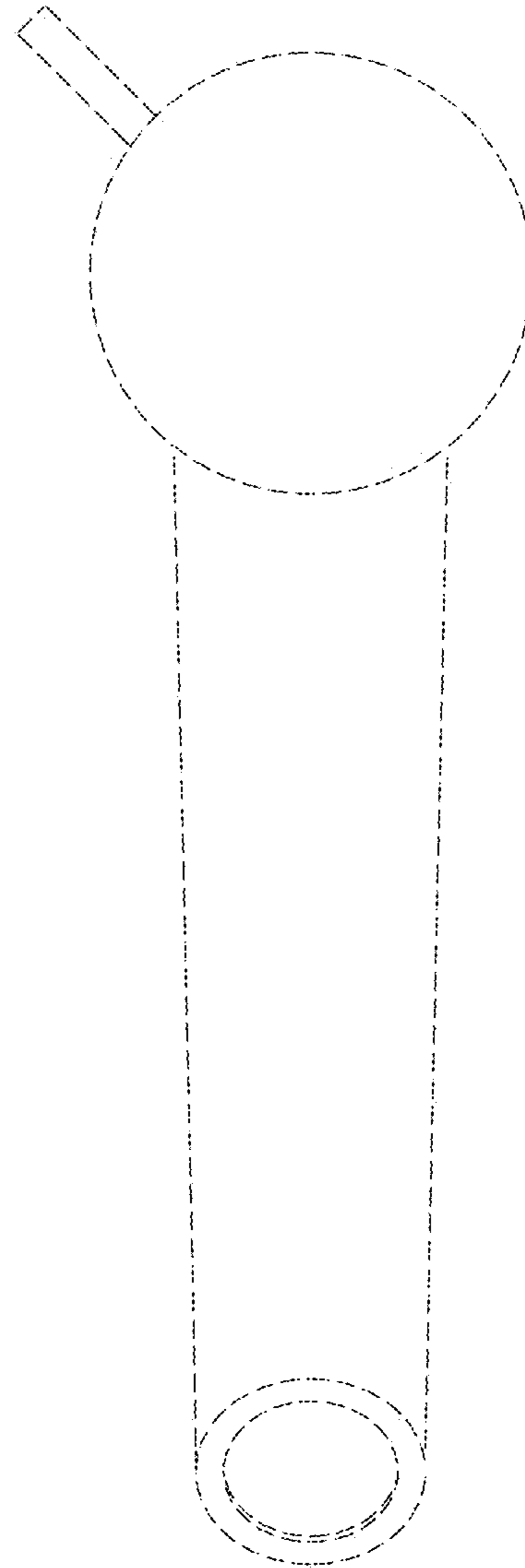


FIG. 7