



US00D989920S

(12) **United States Design Patent**
Stoler et al.

(10) **Patent No.:** **US D989,920 S**

(45) **Date of Patent:** **** Jun. 20, 2023**

(54) **FAUCET BODY**

* cited by examiner

(71) Applicant: **DELTA FAUCET COMPANY,**
Indianapolis, IN (US)

Primary Examiner — Robert A Delehanty

(74) *Attorney, Agent, or Firm* — Jeffrey L. Doyle

(72) Inventors: **Benjamin Stoler,** Carmel, IN (US);
Simon Elser, Indianapolis, IN (US)

(73) Assignee: **DELTA FAUCET COMPANY,**
Indianapolis, IN (US)

(57) **CLAIM**

The ornamental design for a faucet body, as shown and described.

(**) Term: **15 Years**

(21) Appl. No.: **29/821,761**

(22) Filed: **Jan. 3, 2022**

DESCRIPTION

(51) **LOC (14) Cl.** **23-01**

(52) **U.S. Cl.**
USPC **D23/238**

(58) **Field of Classification Search**
USPC D23/238, 255, 257
See application file for complete search history.

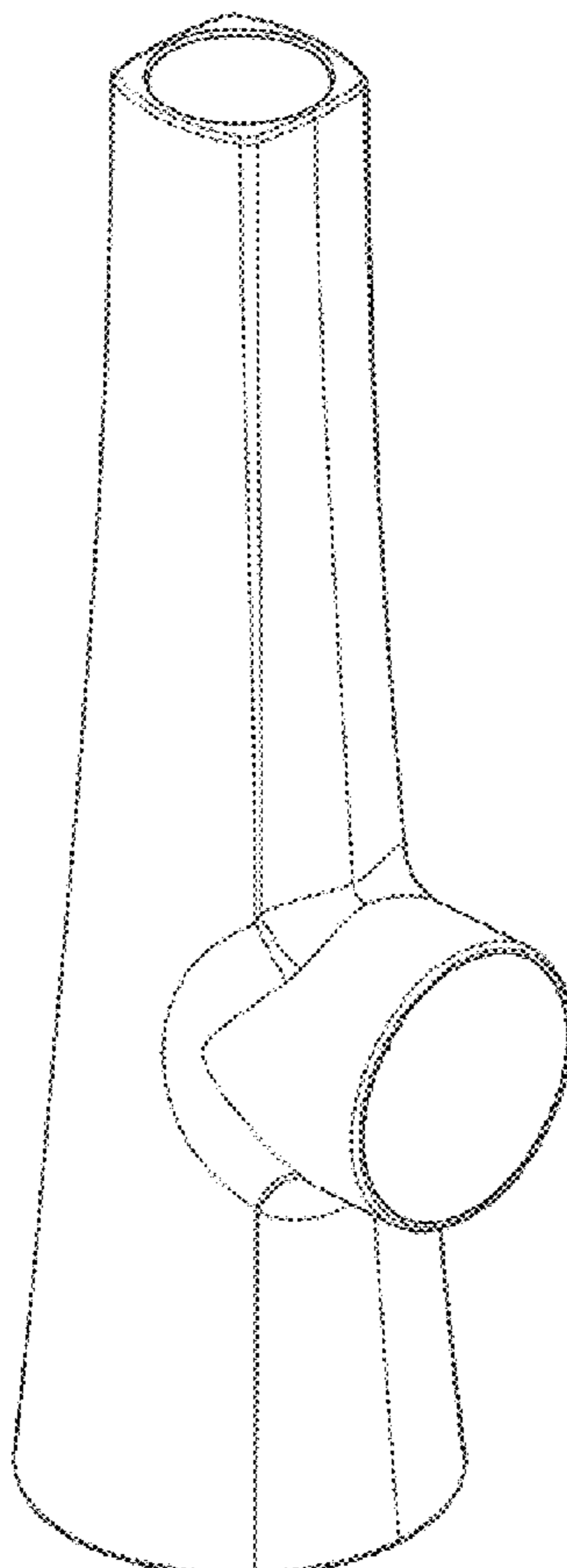
FIG. 1 is a front perspective view of a faucet body showing our new design;
FIG. 2 is a rear perspective view thereof;
FIG. 3 is a front elevational view thereof;
FIG. 4 is a left side view thereof;
FIG. 5 is a rear view thereof;
FIG. 6 is a right side view thereof;
FIG. 7 is a top plan view thereof; and,
FIG. 8 is a bottom view thereof.

(56) **References Cited**

U.S. PATENT DOCUMENTS

D879,914 S	*	3/2020	Lazarini	D23/238
D895,066 S	*	9/2020	Johnson	D23/238
D952,102 S	*	5/2022	Upadhyaya	D23/238
D978,292 S	*	2/2023	Hsu	D23/238

1 Claim, 4 Drawing Sheets



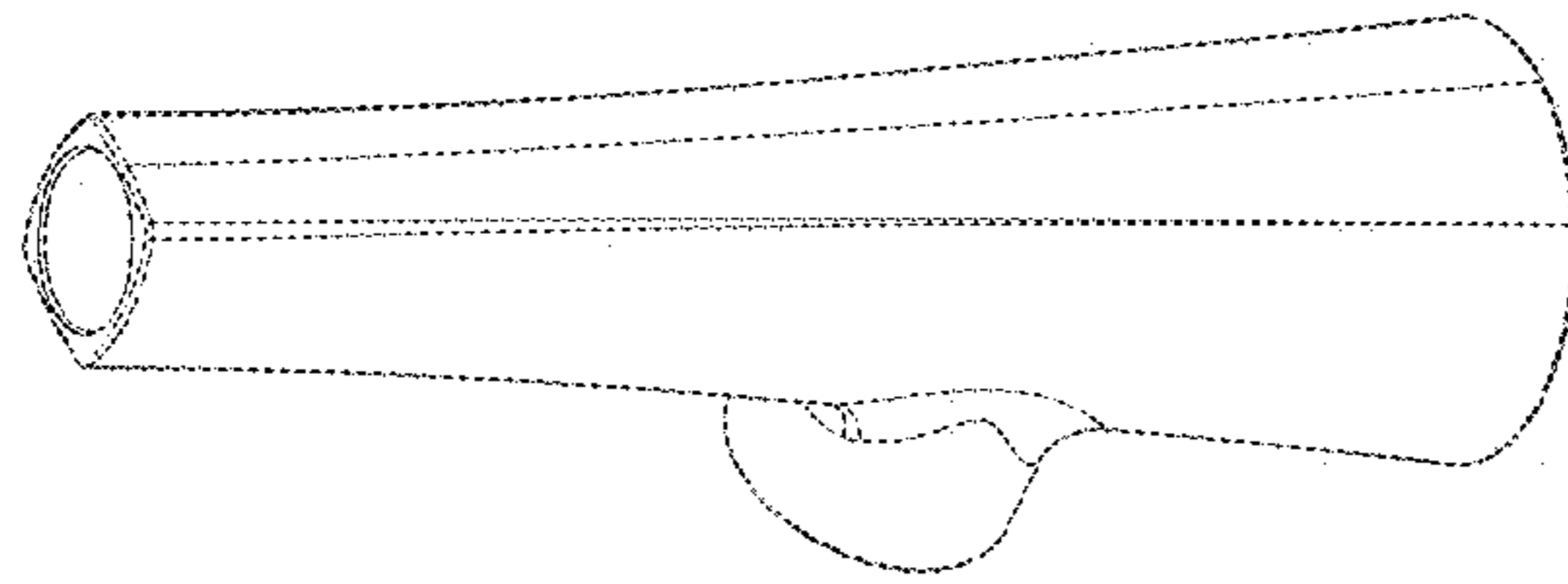


FIG - 2

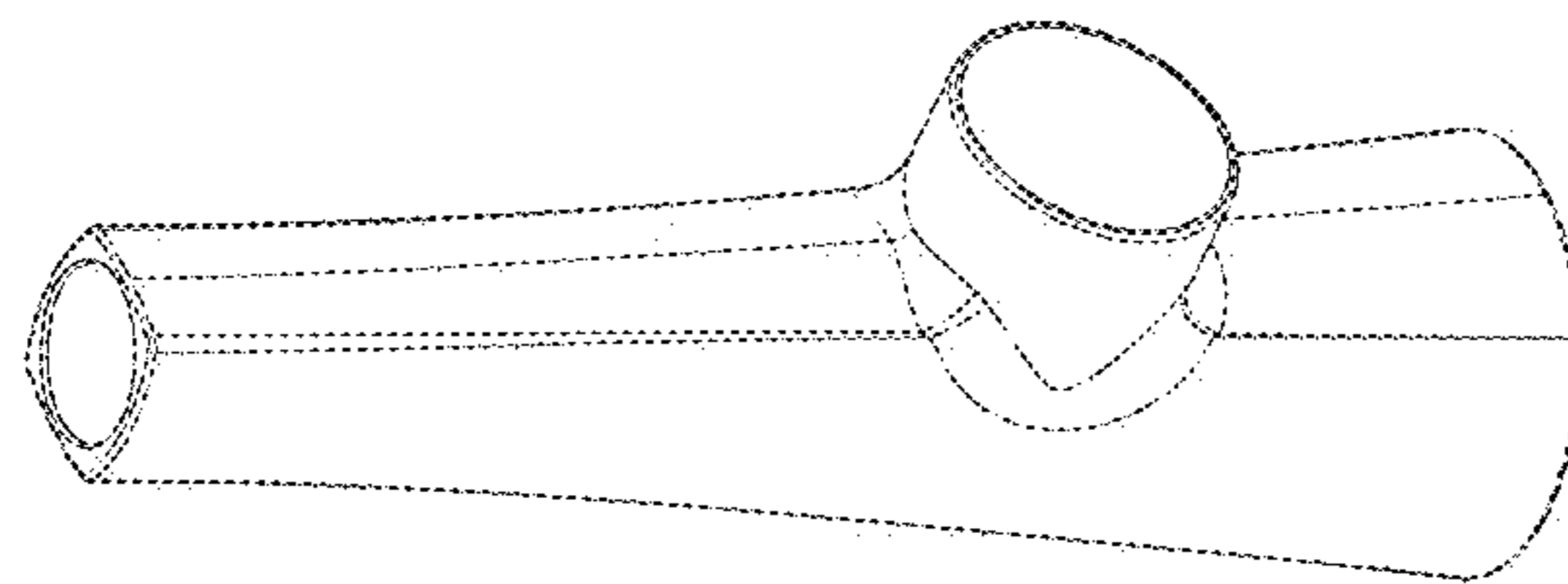


FIG - 1

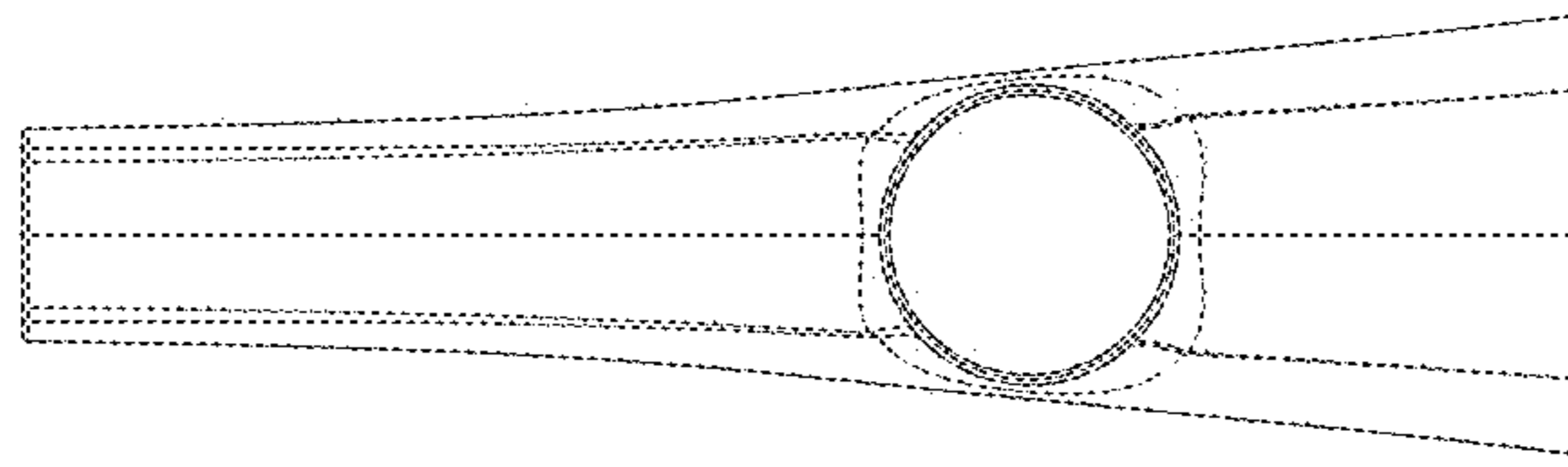


FIG - 4

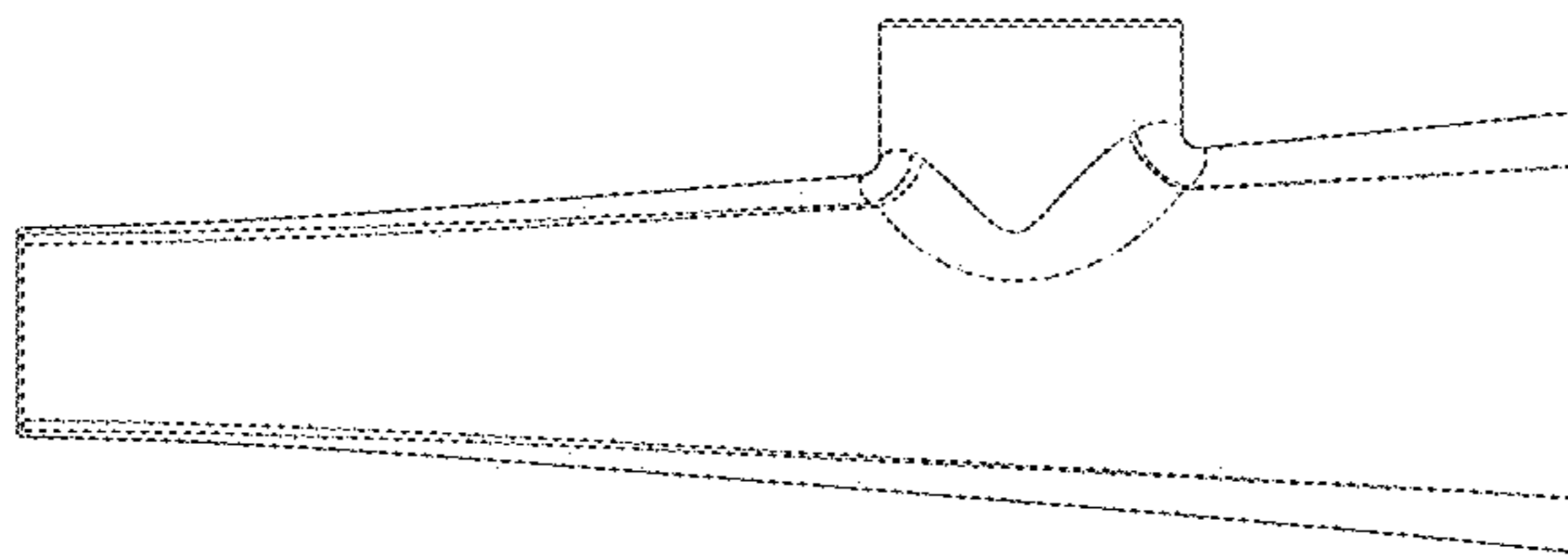


FIG - 3

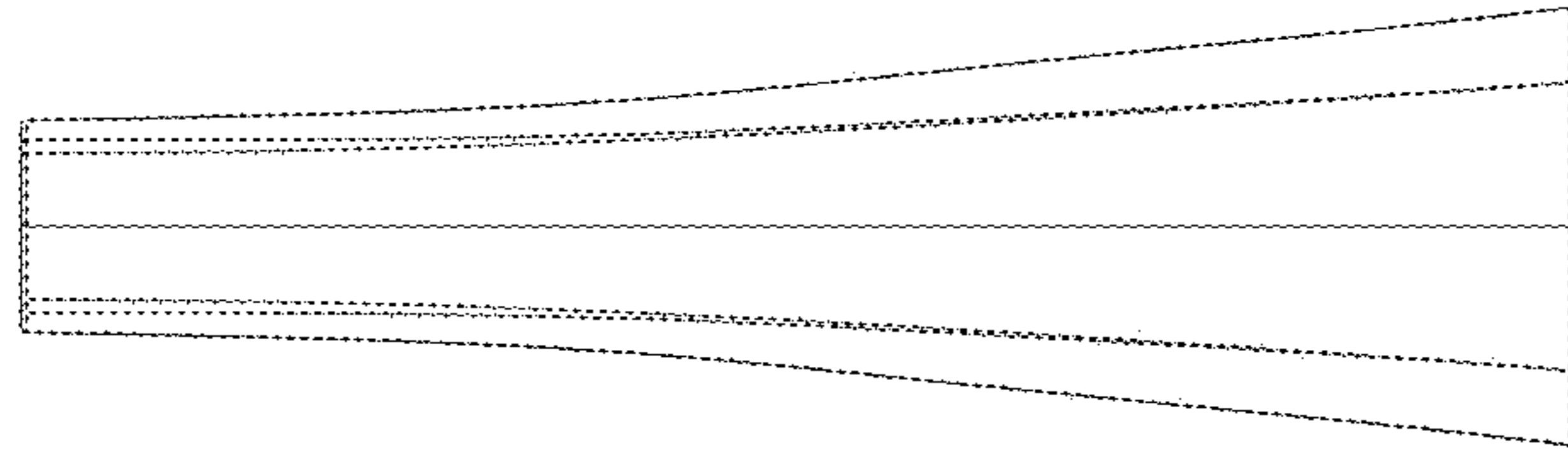


FIG - 6

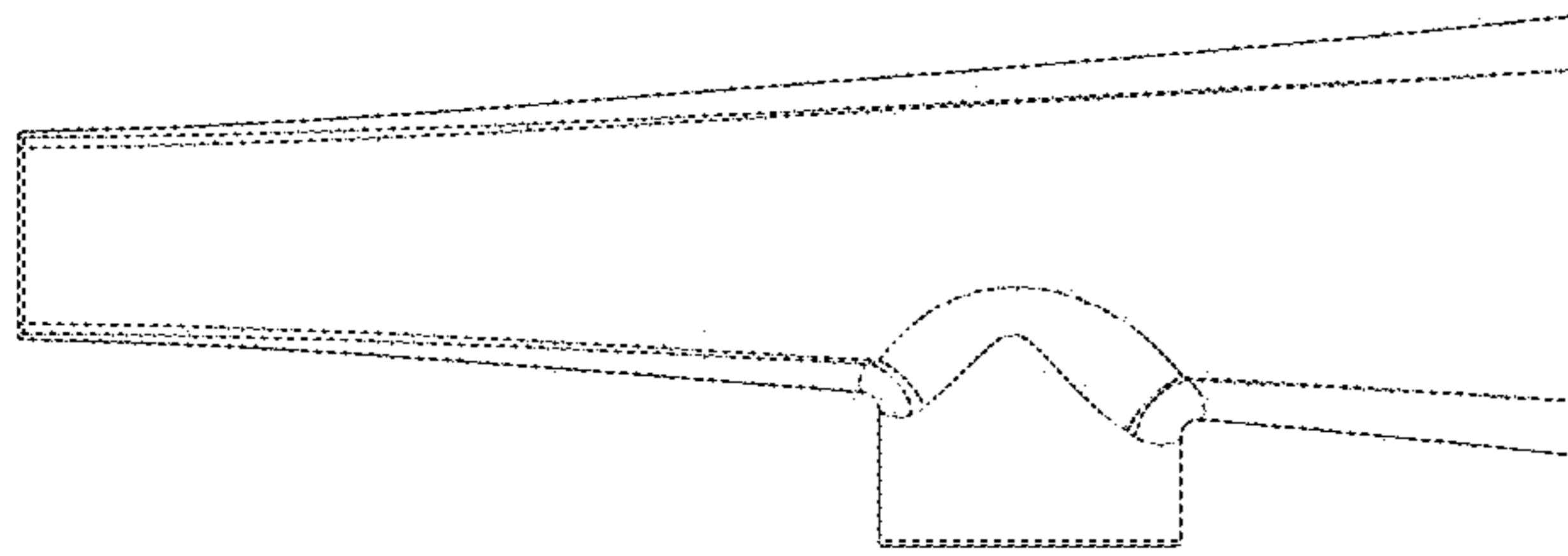


FIG - 5

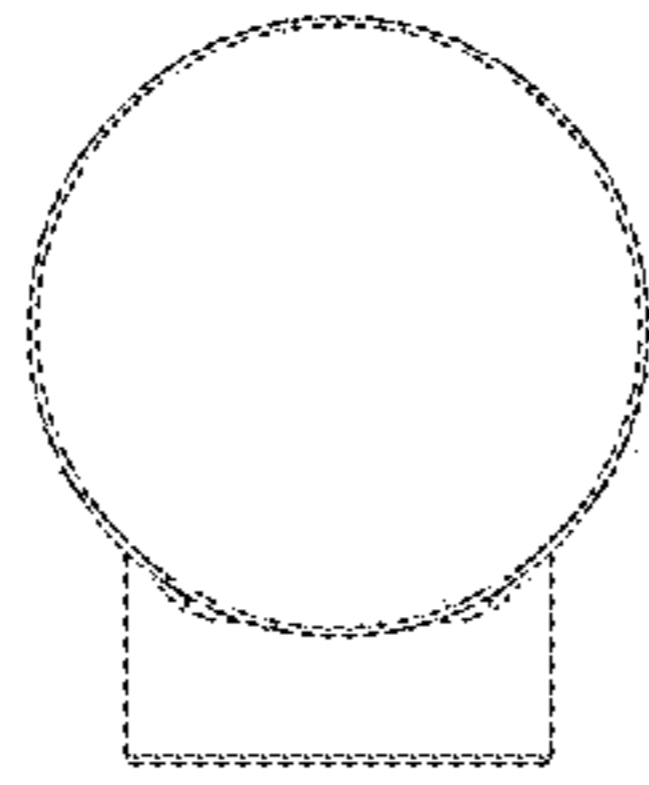


FIG - 8

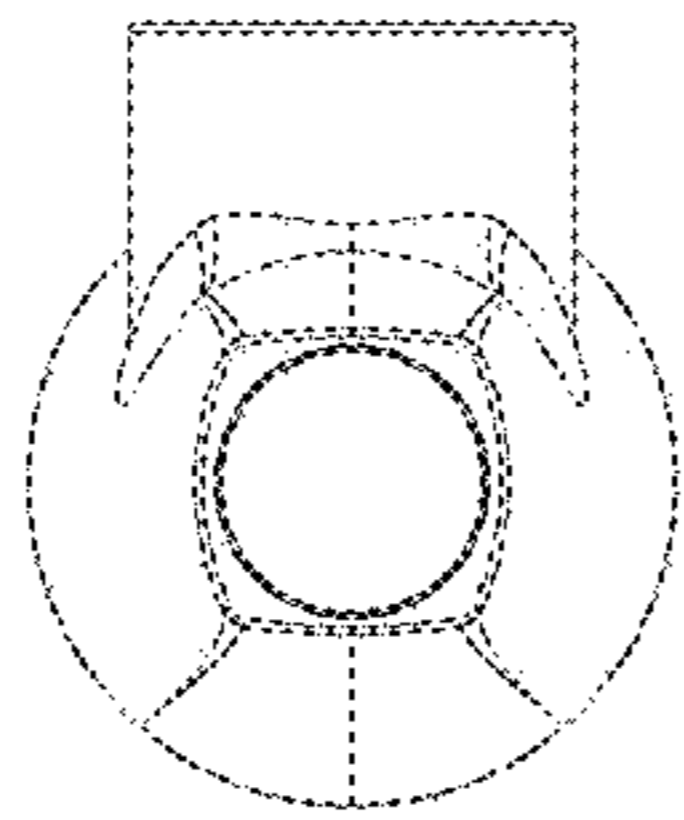


FIG - 7