



US00D989919S

(12) **United States Design Patent**
Stoler et al.

(10) **Patent No.:** **US D989,919 S**
(45) **Date of Patent:** **** Jun. 20, 2023**

(54) **FAUCET**

D954,189 S * 6/2022 Upadhyaya D23/238
D978,292 S * 2/2023 Hsu D23/238

(71) Applicant: **DELTA FAUCET COMPANY,**
Indianapolis, IN (US)

* cited by examiner

(72) Inventors: **Benjamin Stoler,** Carmel, IN (US);
Simon Elser, Indianapolis, IN (US)

Primary Examiner — Robert A Delehanty

(74) *Attorney, Agent, or Firm* — Jeffrey L. Doyle

(73) Assignee: **DELTA FAUCET COMPANY,**
Indianapolis, IN (US)

(57) **CLAIM**

The ornamental design for a faucet, as shown and described.

(**) Term: **15 Years**

DESCRIPTION

(21) Appl. No.: **29/821,759**

FIG. 1 is a front perspective view of a first embodiment of a faucet showing our new design;

FIG. 2 is a rear perspective view thereof;

FIG. 3 is a front elevational view thereof;

FIG. 4 is a left side view thereof;

FIG. 5 is a rear view thereof;

FIG. 6 is a right side view thereof;

FIG. 7 is a top plan view thereof; and

FIG. 8 is a bottom view thereof; and

FIG. 9 is a front perspective view of a second embodiment of a faucet showing our design;

FIG. 10 is a rear perspective view thereof;

FIG. 11 is a front elevational view thereof;

FIG. 12 is a left side view thereof;

FIG. 13 is a rear view thereof;

FIG. 14 is a right side view thereof;

FIG. 15 is a top plan view thereof; and,

FIG. 16 is a bottom view thereof.

(22) Filed: **Jan. 3, 2022**

(51) **LOC (14) Cl.** **23-01**

(52) **U.S. Cl.**
USPC **D23/238**

(58) **Field of Classification Search**
USPC D23/238, 250, 252, 254–255, 257, 226;
D8/307–308

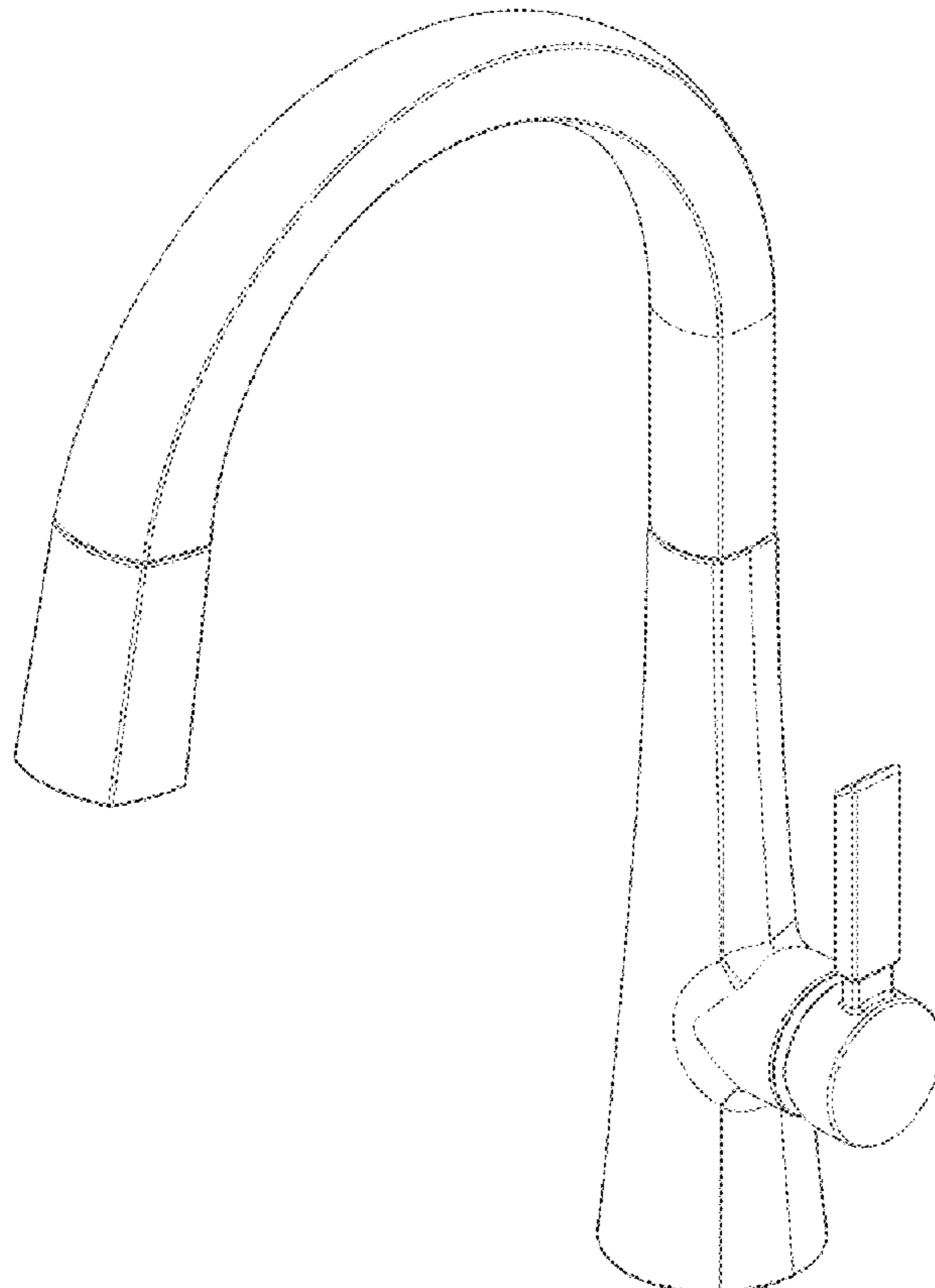
See application file for complete search history.

(56) **References Cited**

U.S. PATENT DOCUMENTS

D867,532 S * 11/2019 Liao D23/238
D879,914 S * 3/2020 Lazarini D23/238
D948,668 S * 4/2022 Garland D23/238

1 Claim, 8 Drawing Sheets



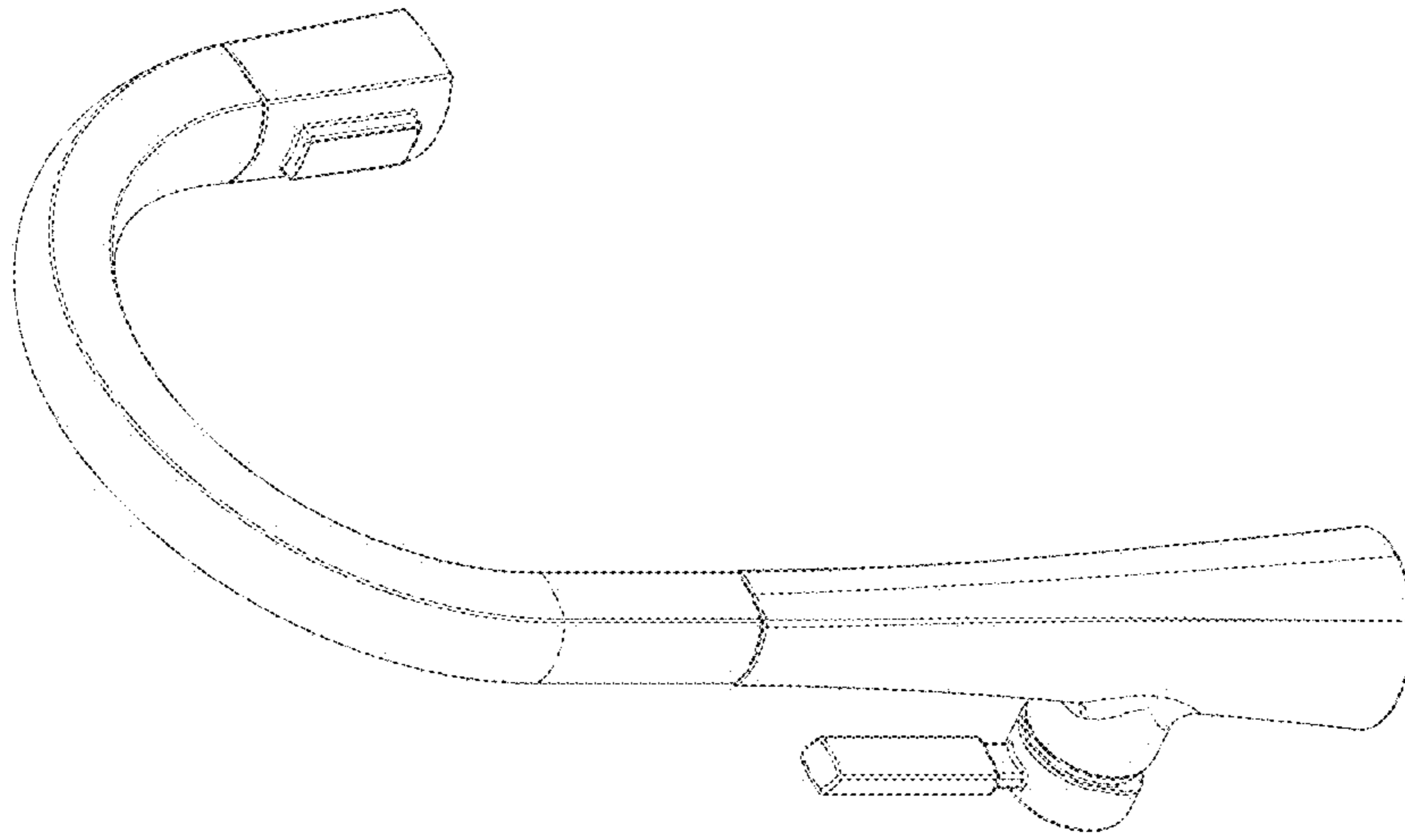


FIG - 2

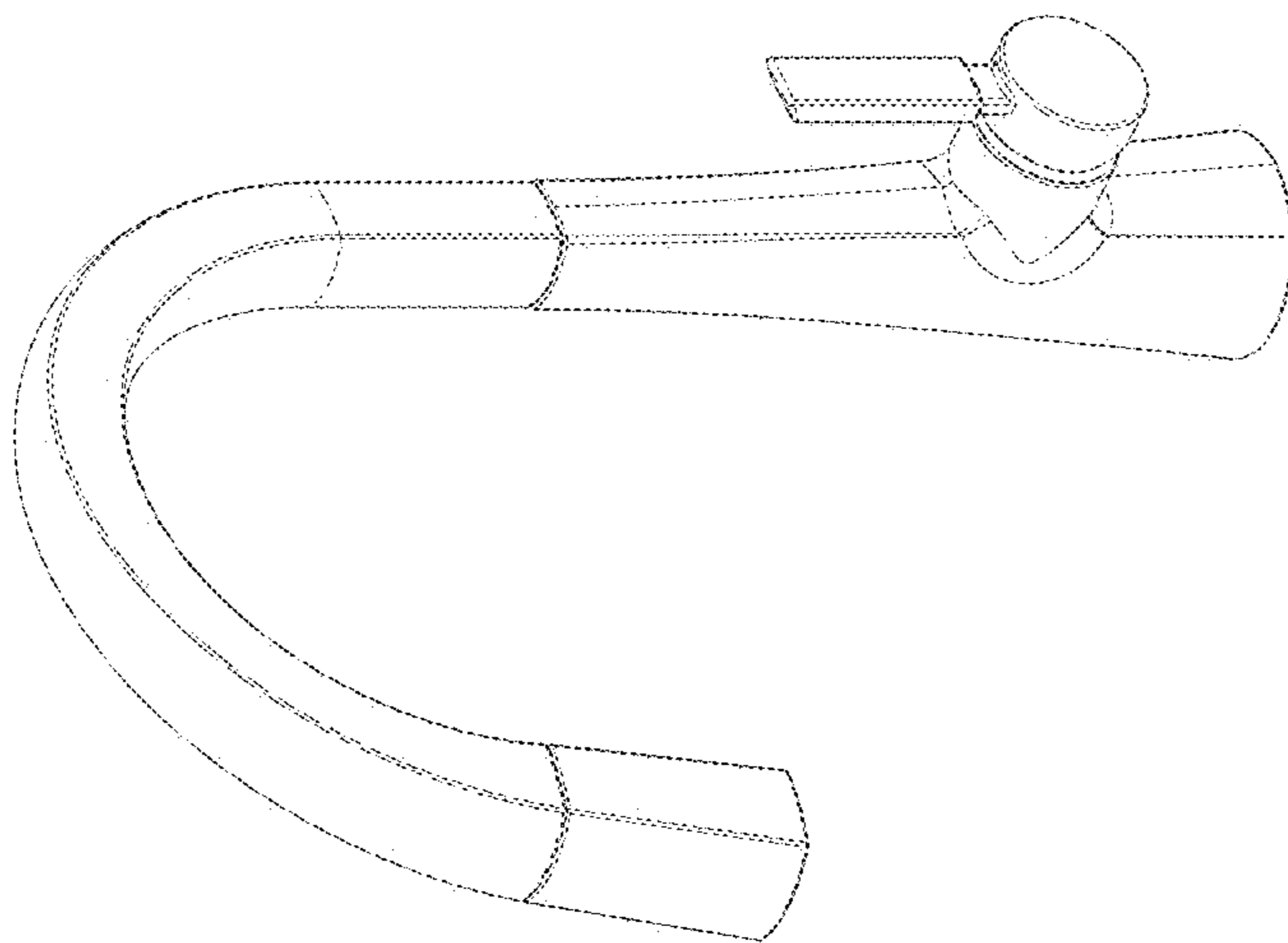


FIG - 1

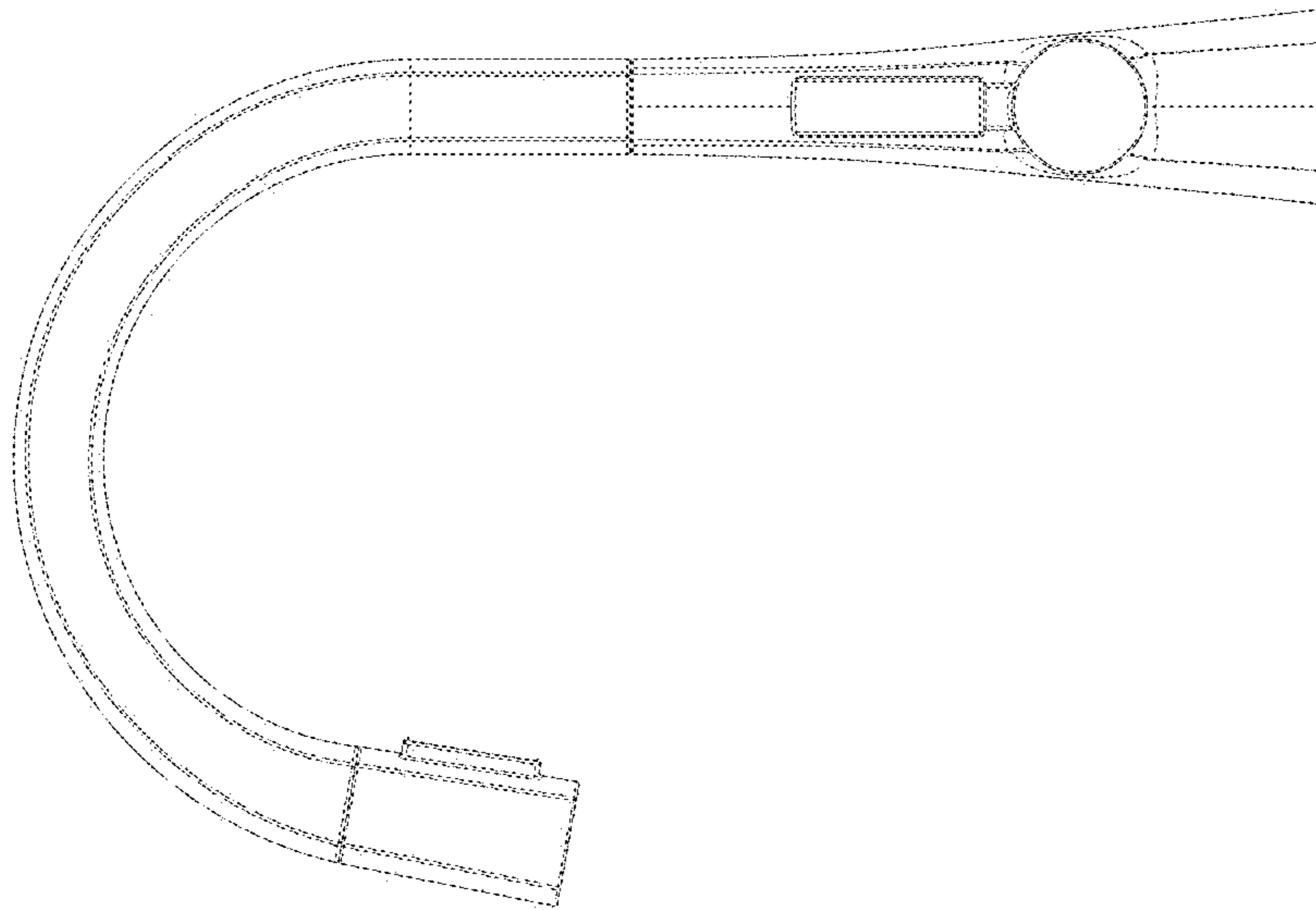


FIG - 4

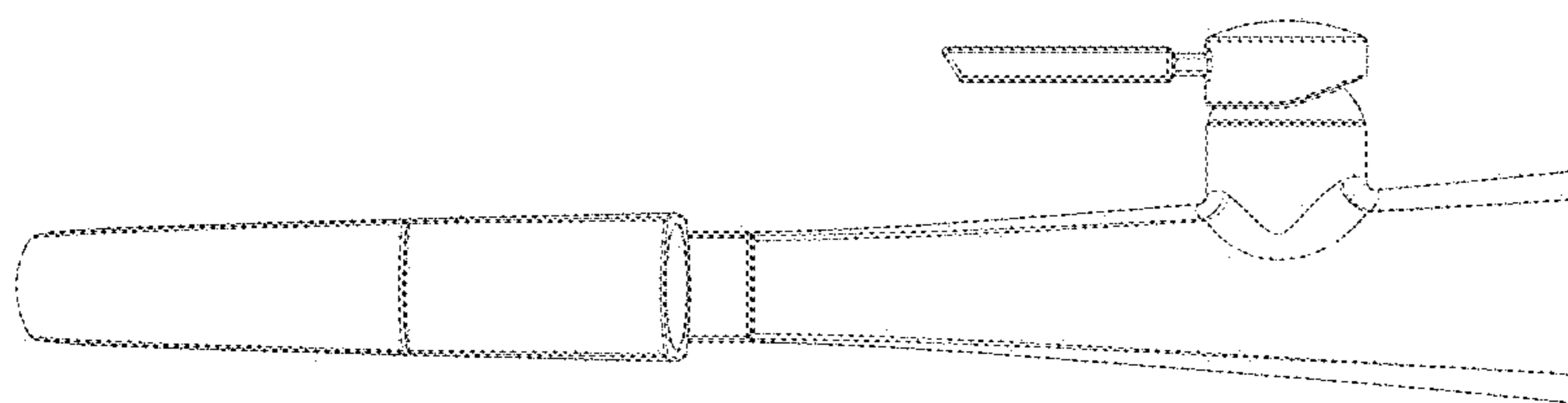


FIG - 3

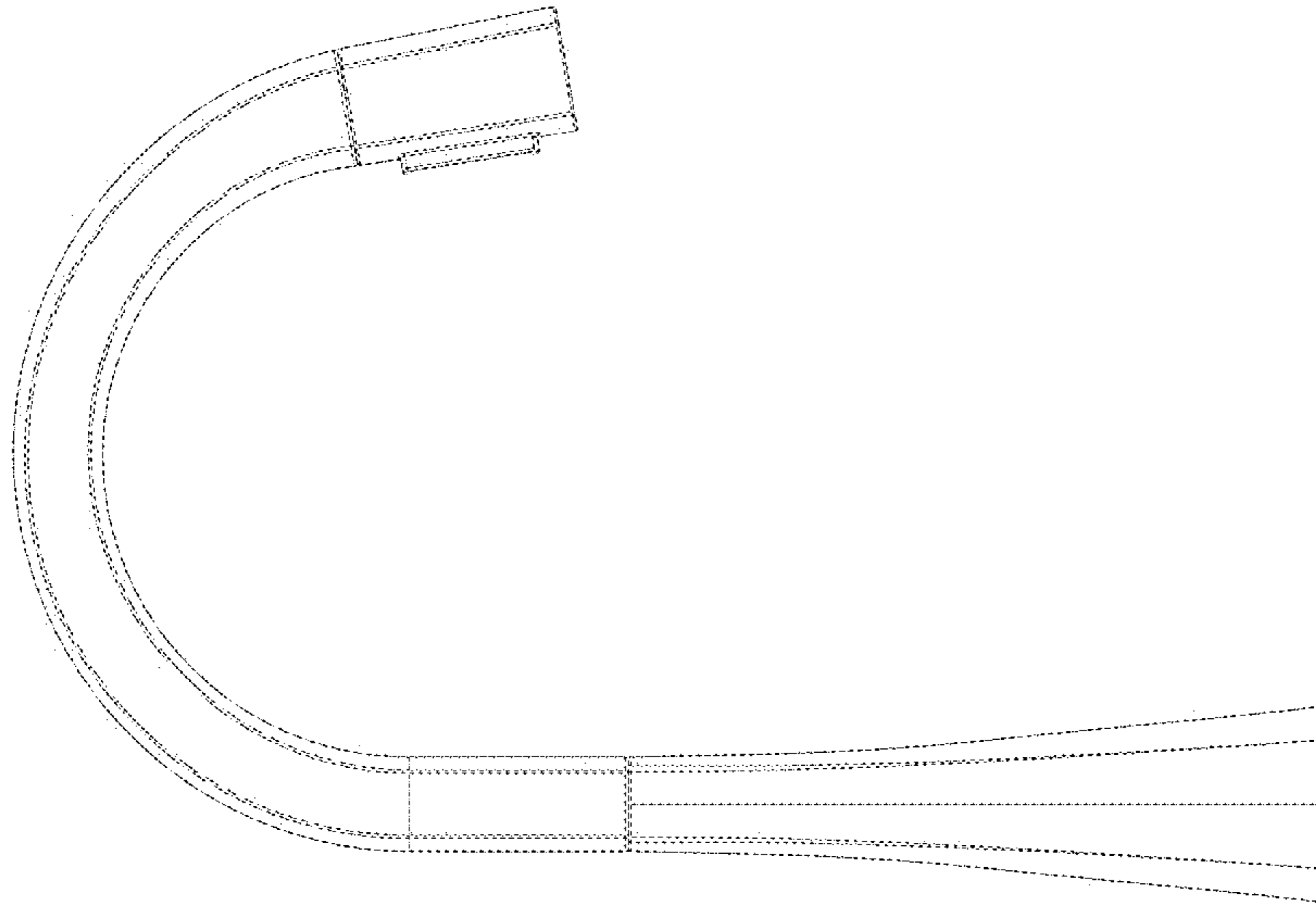


FIG - 6

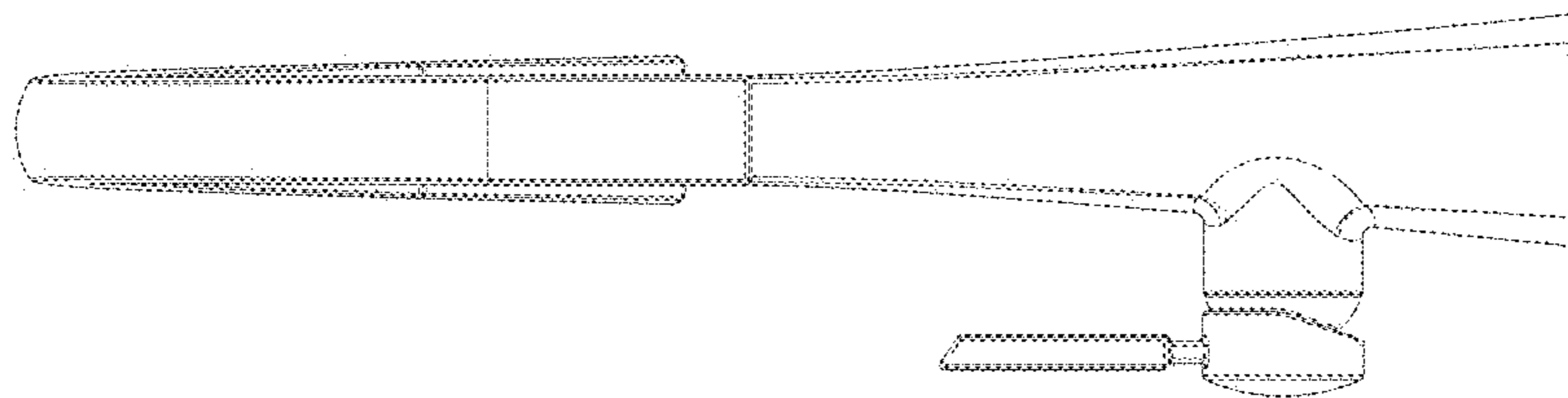


FIG - 5

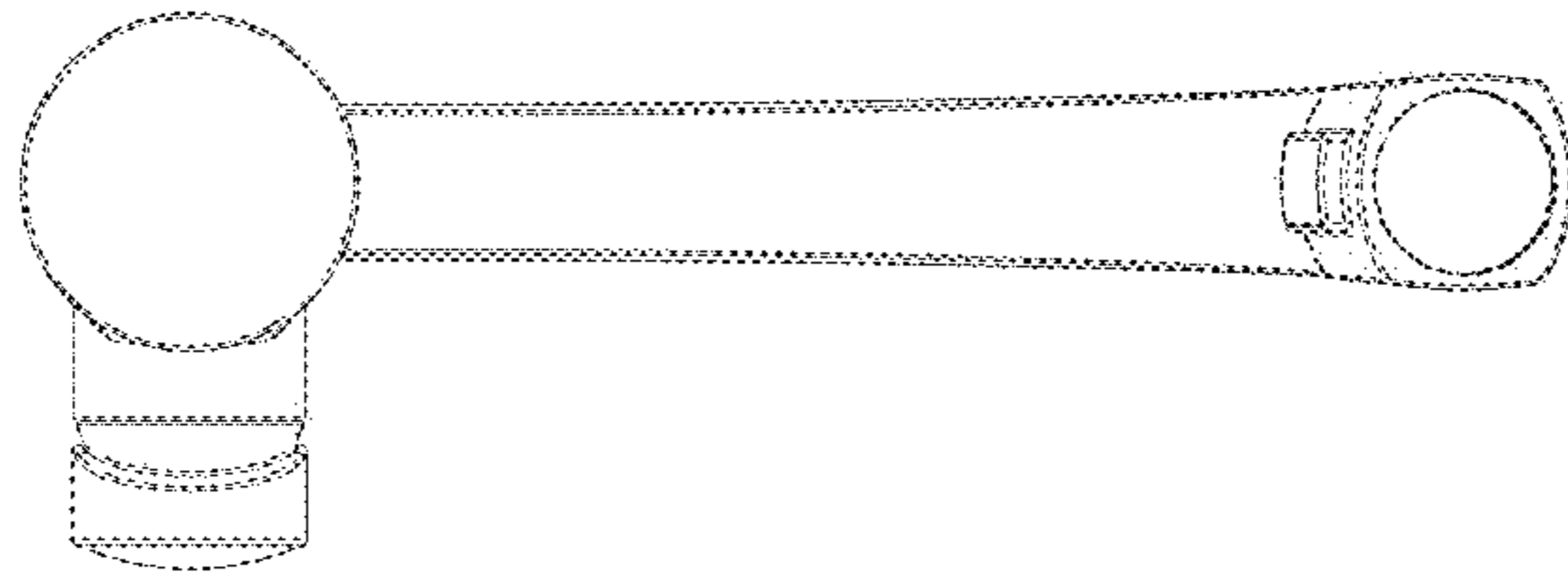


FIG - 8

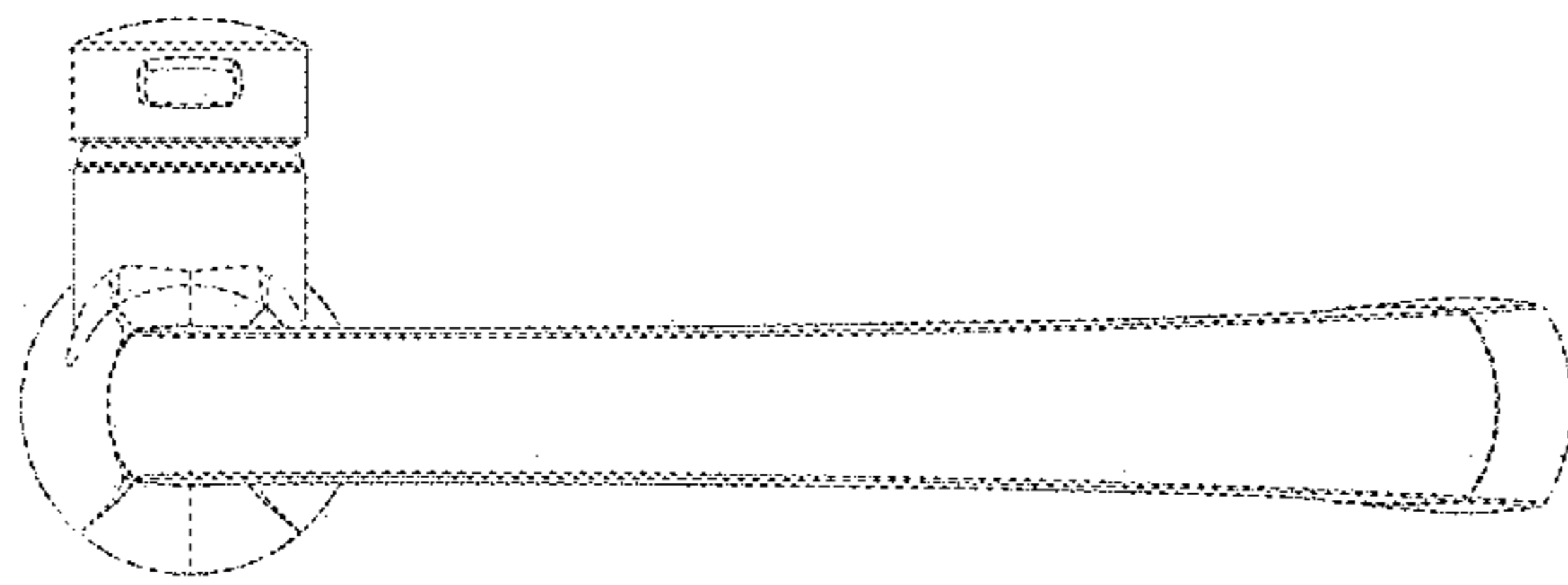


FIG - 7

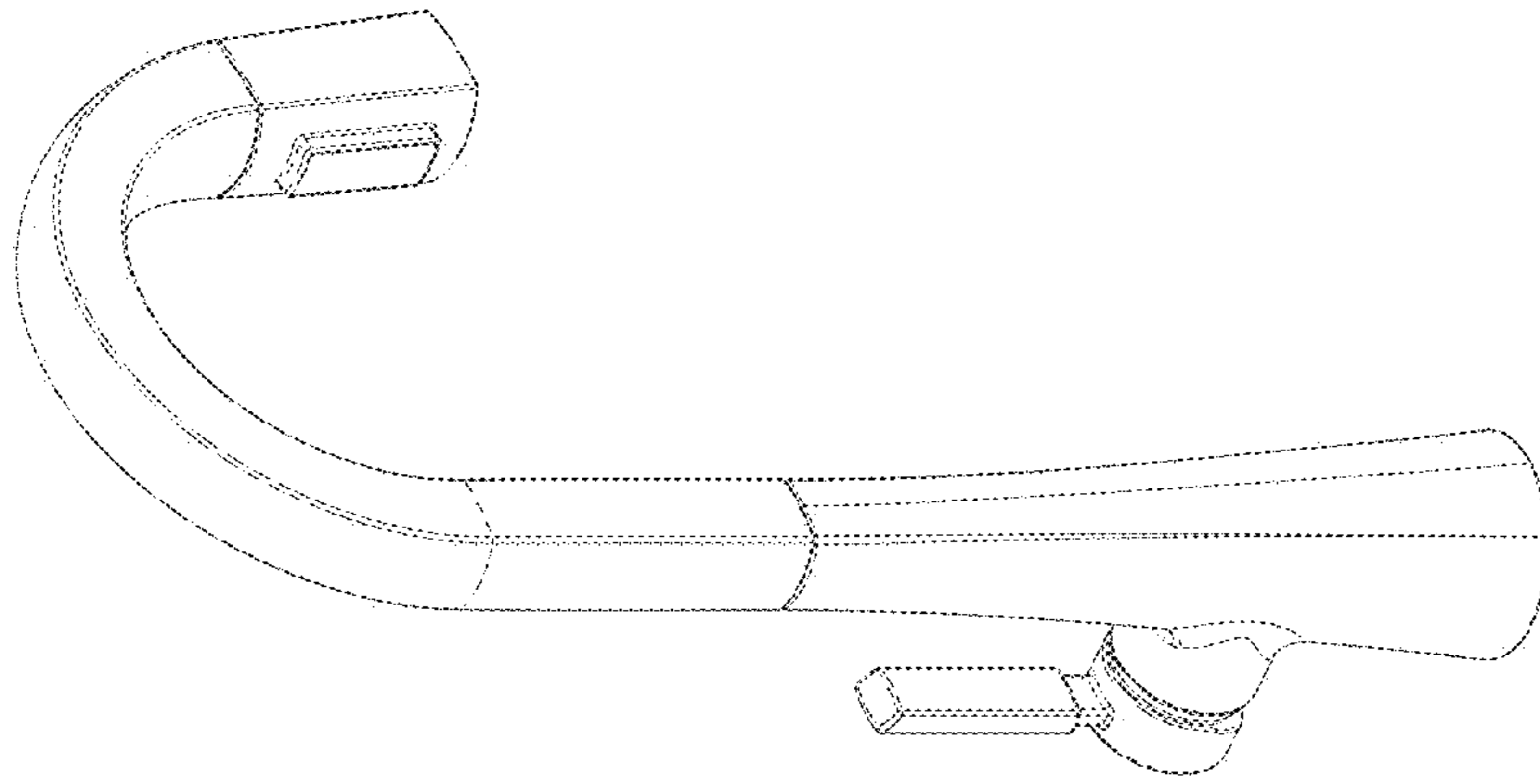


FIG - 10

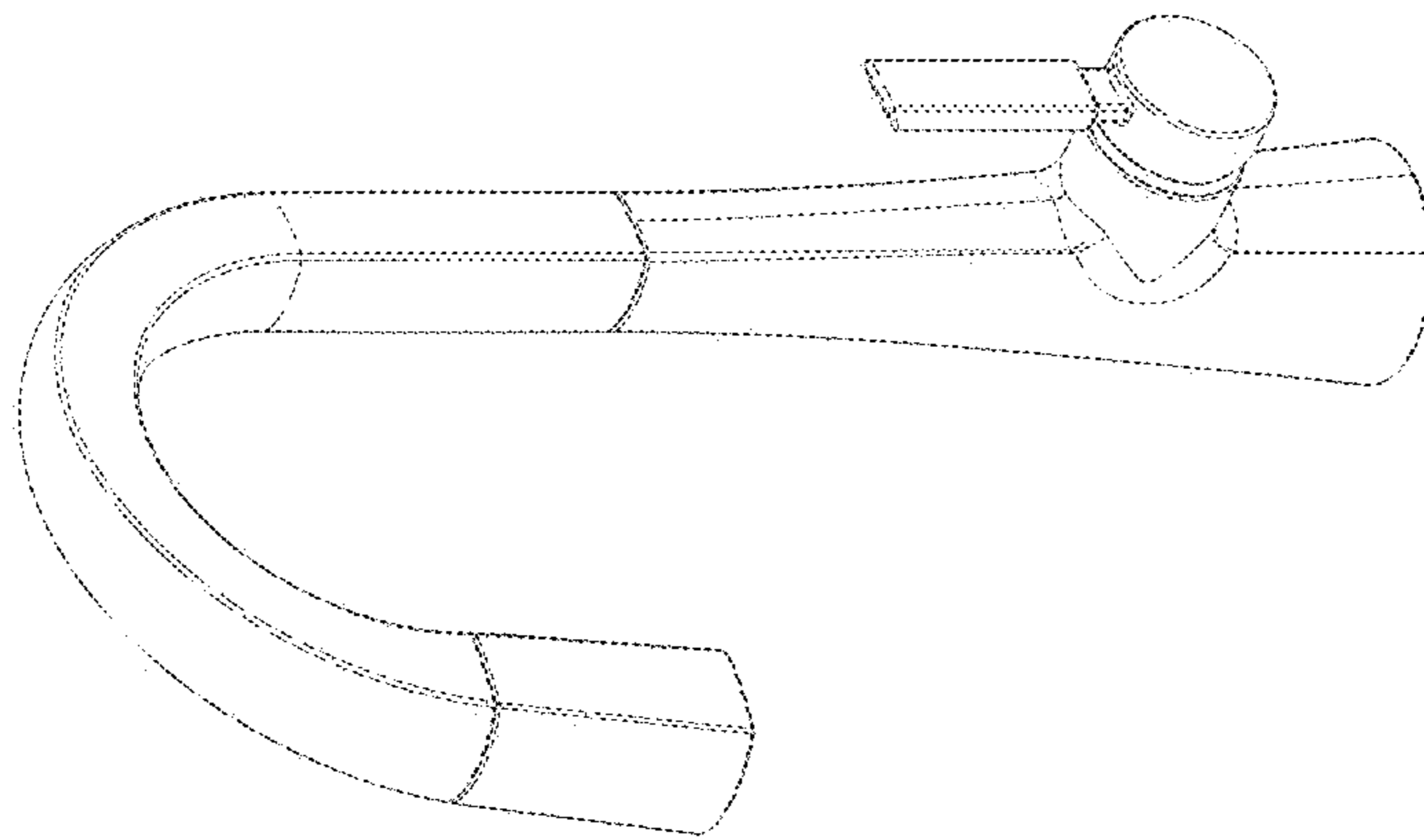


FIG - 9

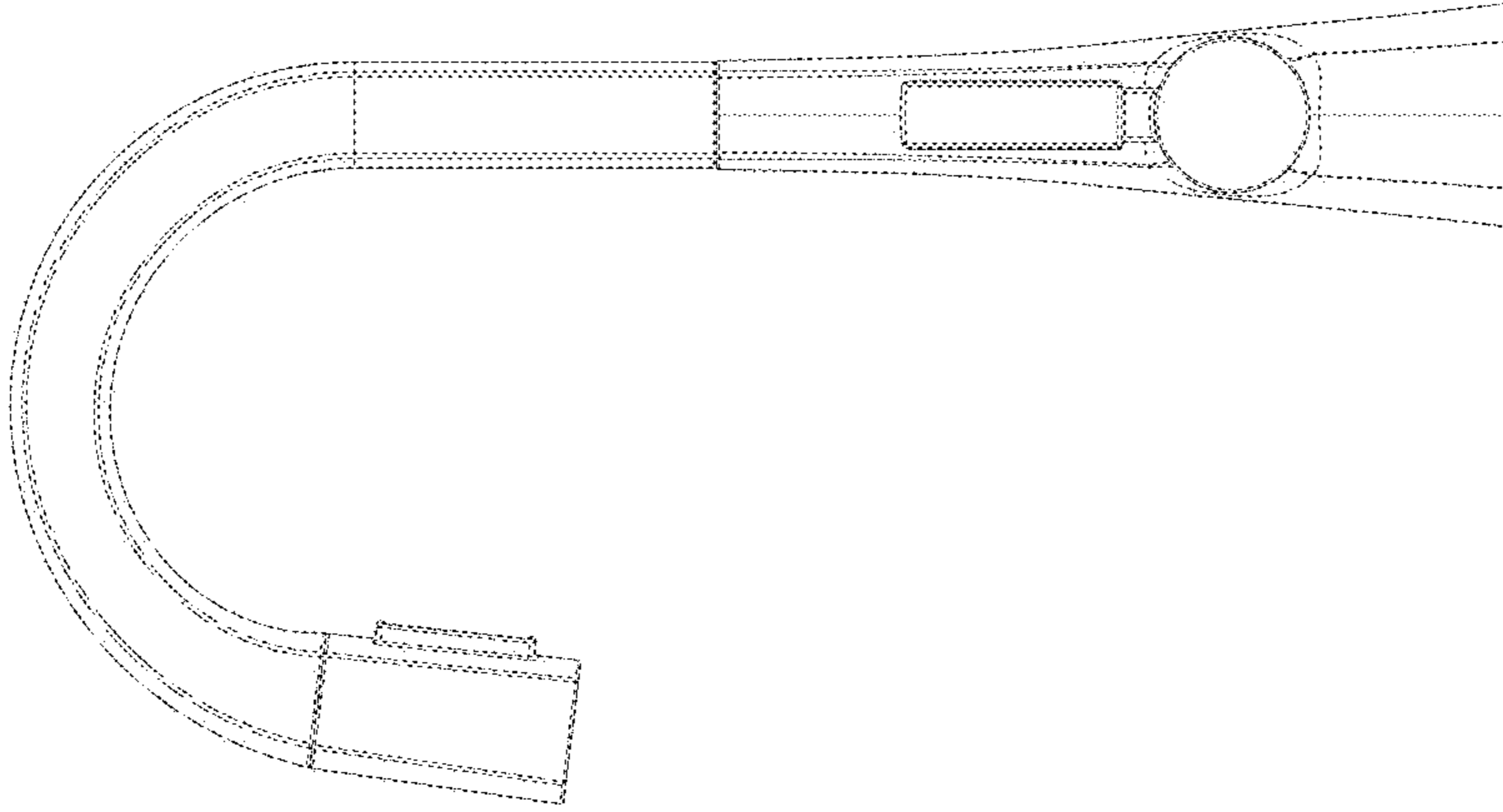


FIG - 12

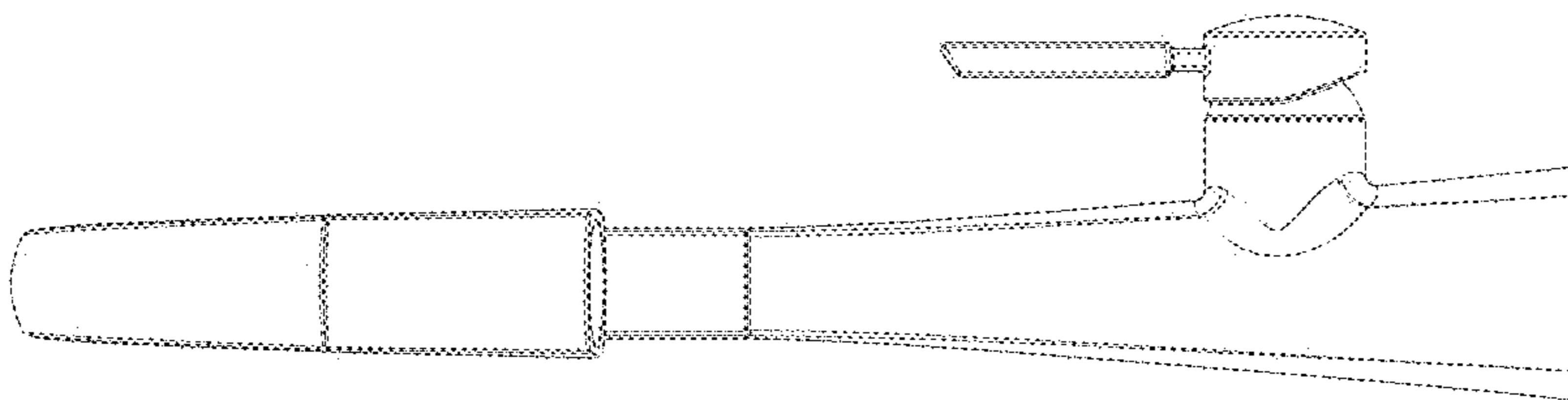


FIG - 11

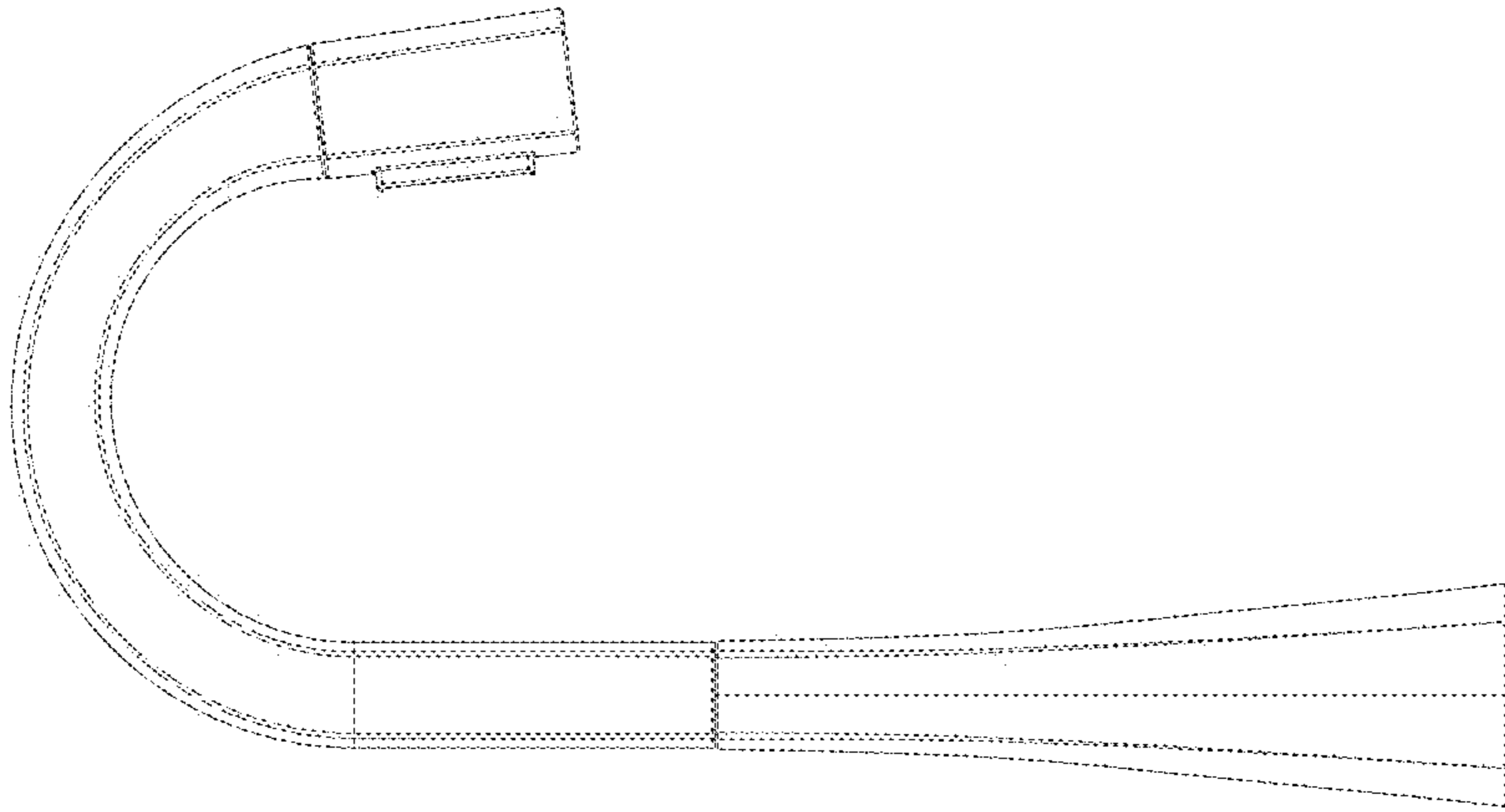


FIG - 14

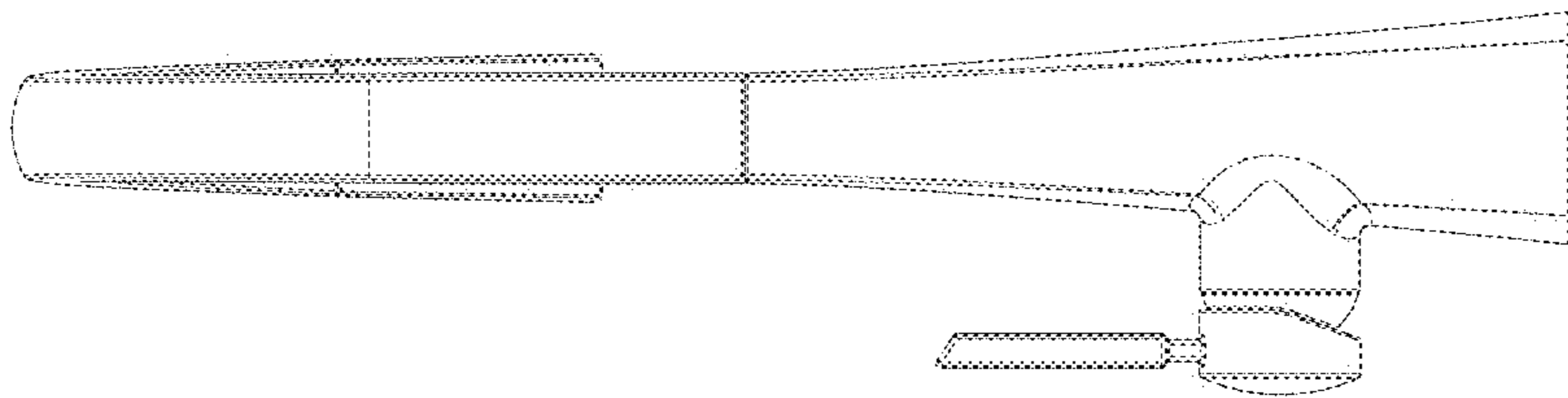


FIG - 13

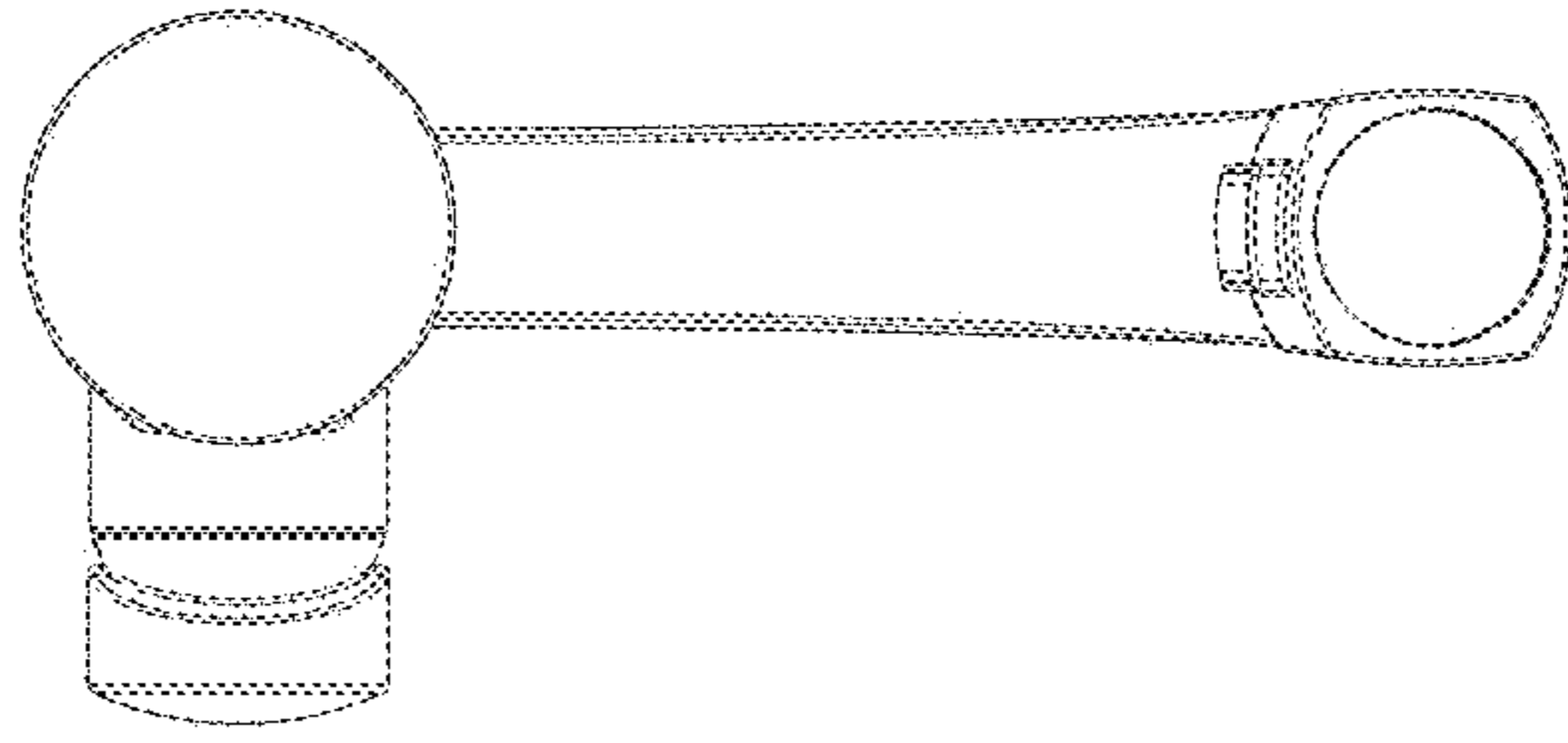


FIG - 16

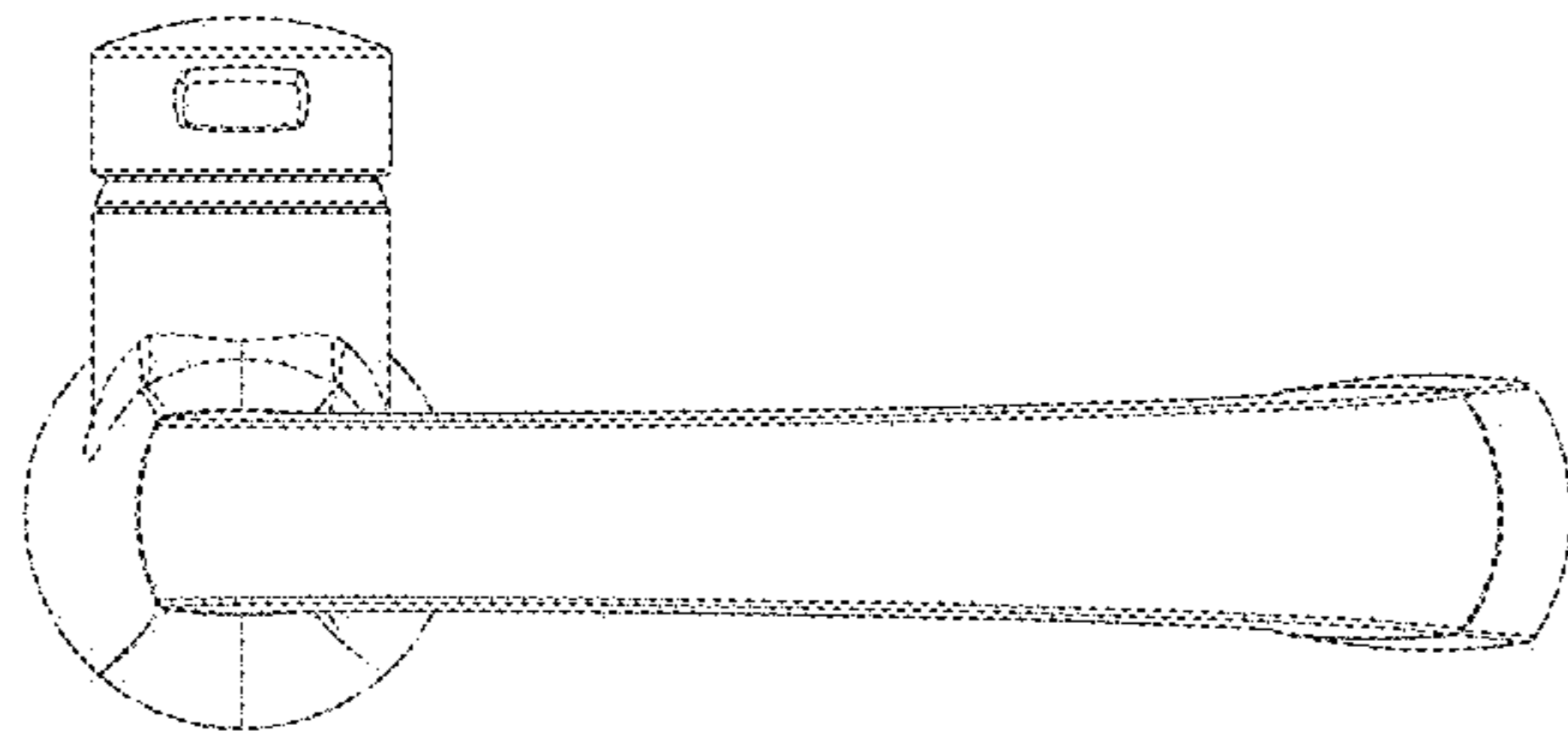


FIG - 15