



US00D989918S

(12) **United States Design Patent**
Lazarini et al.

(10) **Patent No.:** **US D989,918 S**
(45) **Date of Patent:** **** Jun. 20, 2023**

(54) **FAUCET**

(71) Applicant: **DELTA FAUCET COMPANY,**
Indianapolis, IN (US)

(72) Inventors: **Alejandra Lazarini,** Cornelius, NC
(US); **Benjamin Stoler,** Carmel, IN
(US)

(73) Assignee: **DELTA FAUCET COMPANY,**
Indianapolis, IN (US)

(**) Term: **15 Years**

(21) Appl. No.: **29/817,940**

(22) Filed: **Dec. 6, 2021**

(51) **LOC (14) Cl.** **23-01**

(52) **U.S. Cl.**
USPC **D23/238**

(58) **Field of Classification Search**
USPC D23/238, 250, 252, 254–255, 257, 226;
D8/307–308

See application file for complete search history.

(56) **References Cited**

U.S. PATENT DOCUMENTS

D857,844 S * 8/2019 Levi D23/238
D861,832 S * 10/2019 Zeng D23/238

D905,203 S * 12/2020 Zhang D23/238
D914,145 S * 3/2021 Levi D23/238
D914,846 S * 3/2021 Zhang D23/238
D954,183 S * 6/2022 Para D23/238

* cited by examiner

Primary Examiner — Robert A Delehanty

(74) *Attorney, Agent, or Firm* — Jeffrey L. Doyle

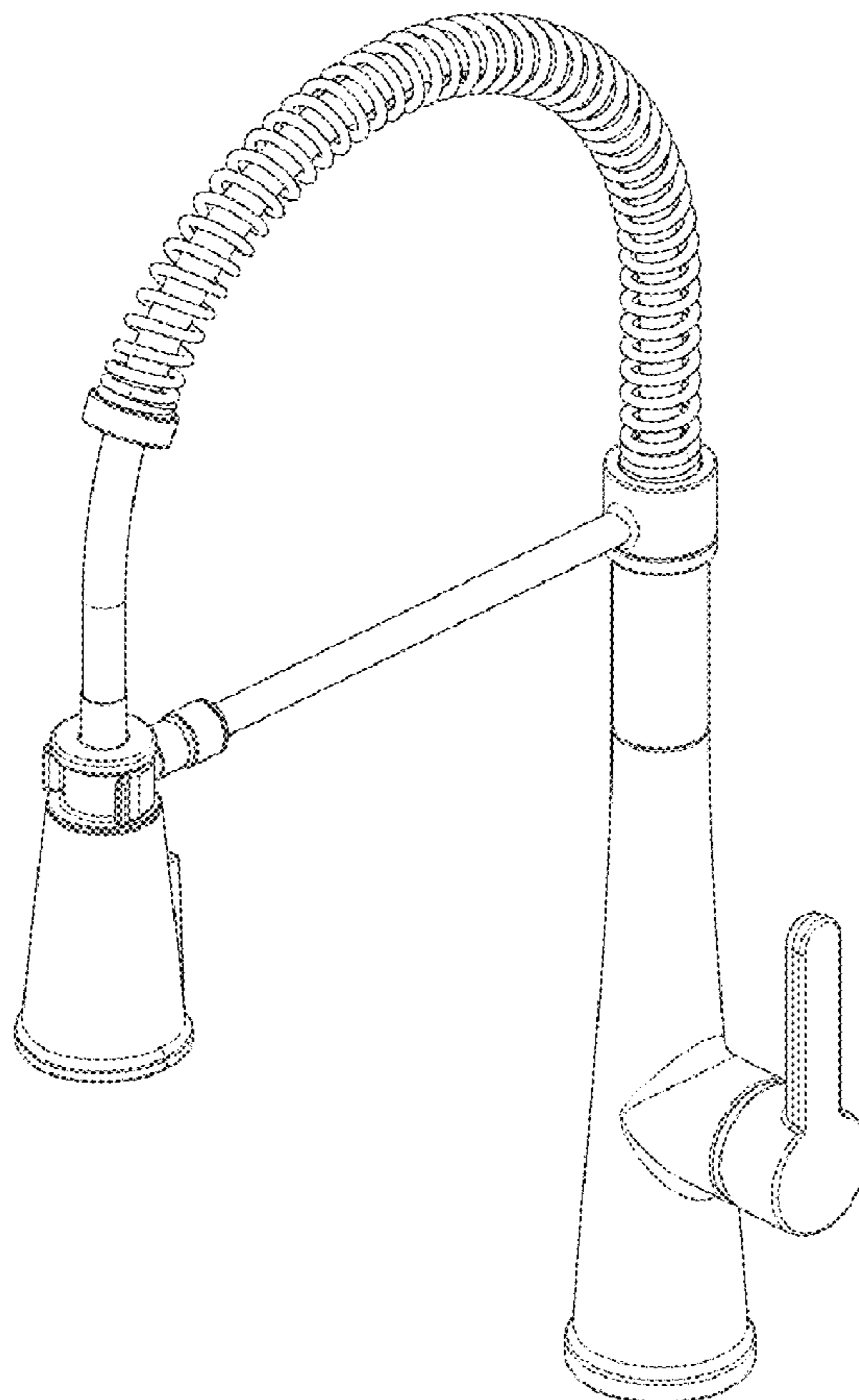
(57) **CLAIM**

The ornamental design for a faucet, as shown and described.

DESCRIPTION

FIG. 1 is a front perspective view of a faucet showing our new design;
FIG. 2 is a rear perspective view thereof;
FIG. 3 is a front elevational view thereof;
FIG. 4 is a left side view thereof;
FIG. 5 is a rear view thereof;
FIG. 6 is a right side view thereof;
FIG. 7 is a top plan view thereof; and,
FIG. 8 is a bottom view thereof.

1 Claim, 4 Drawing Sheets



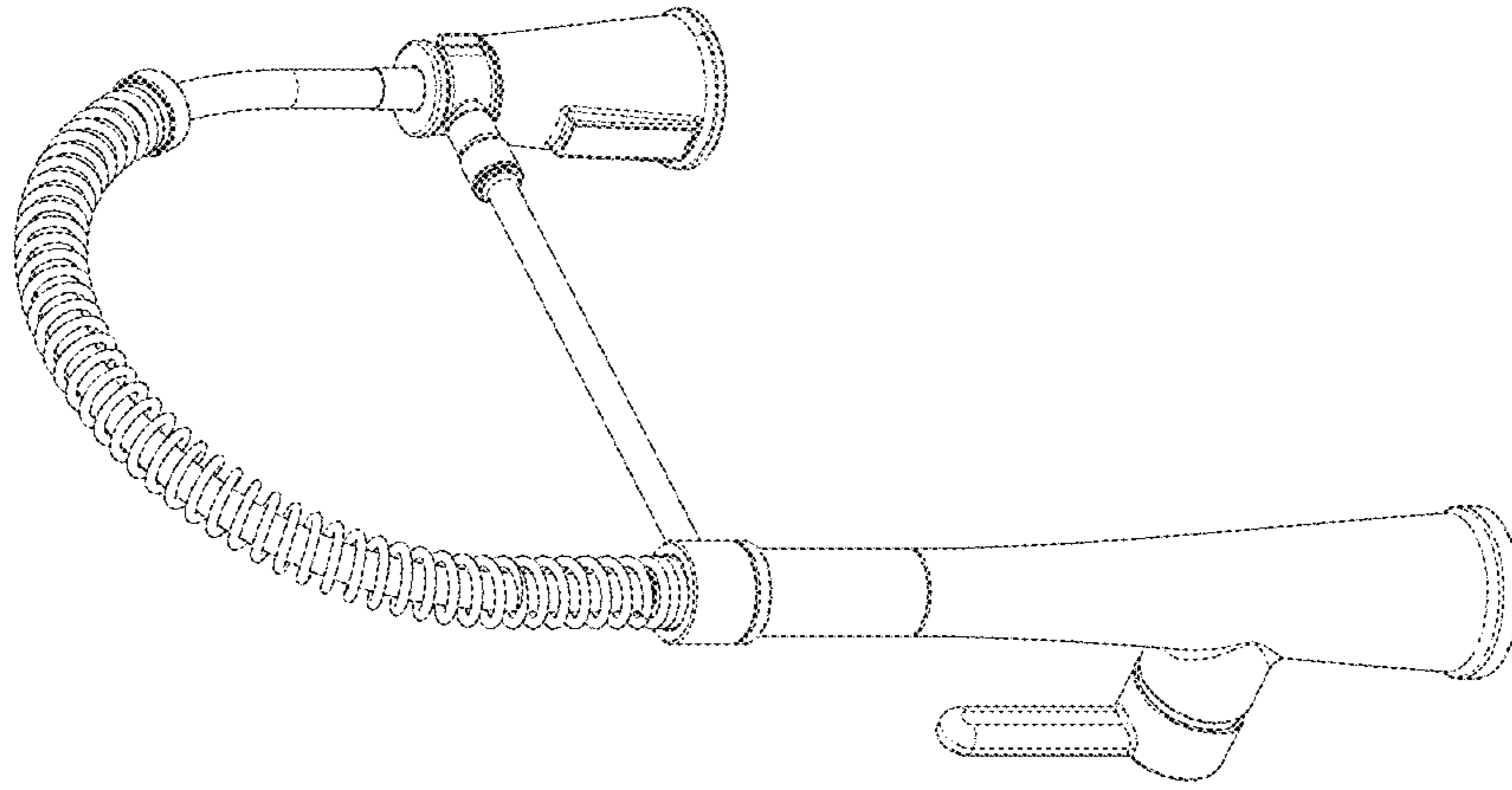


FIG - 2

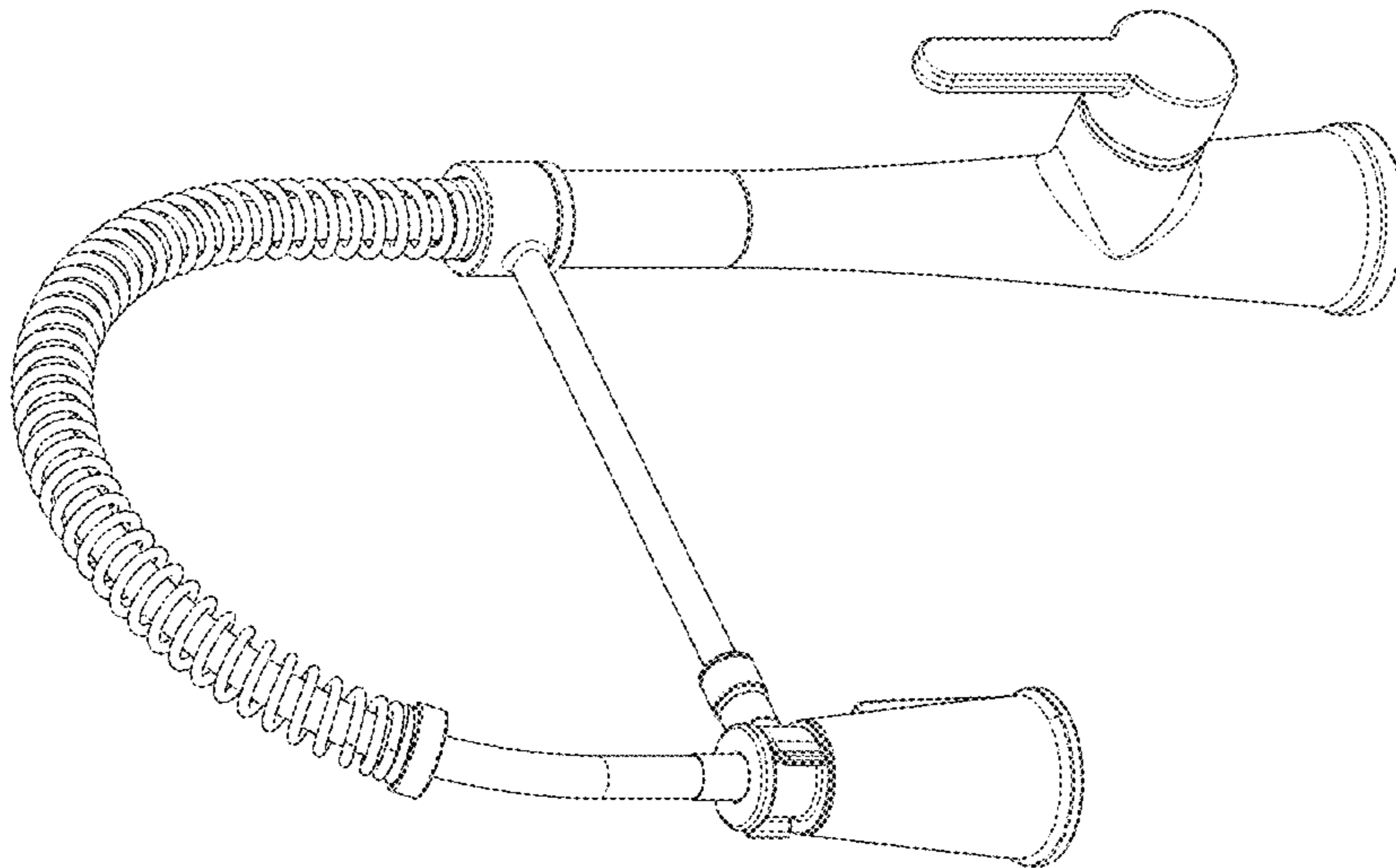


FIG - 1

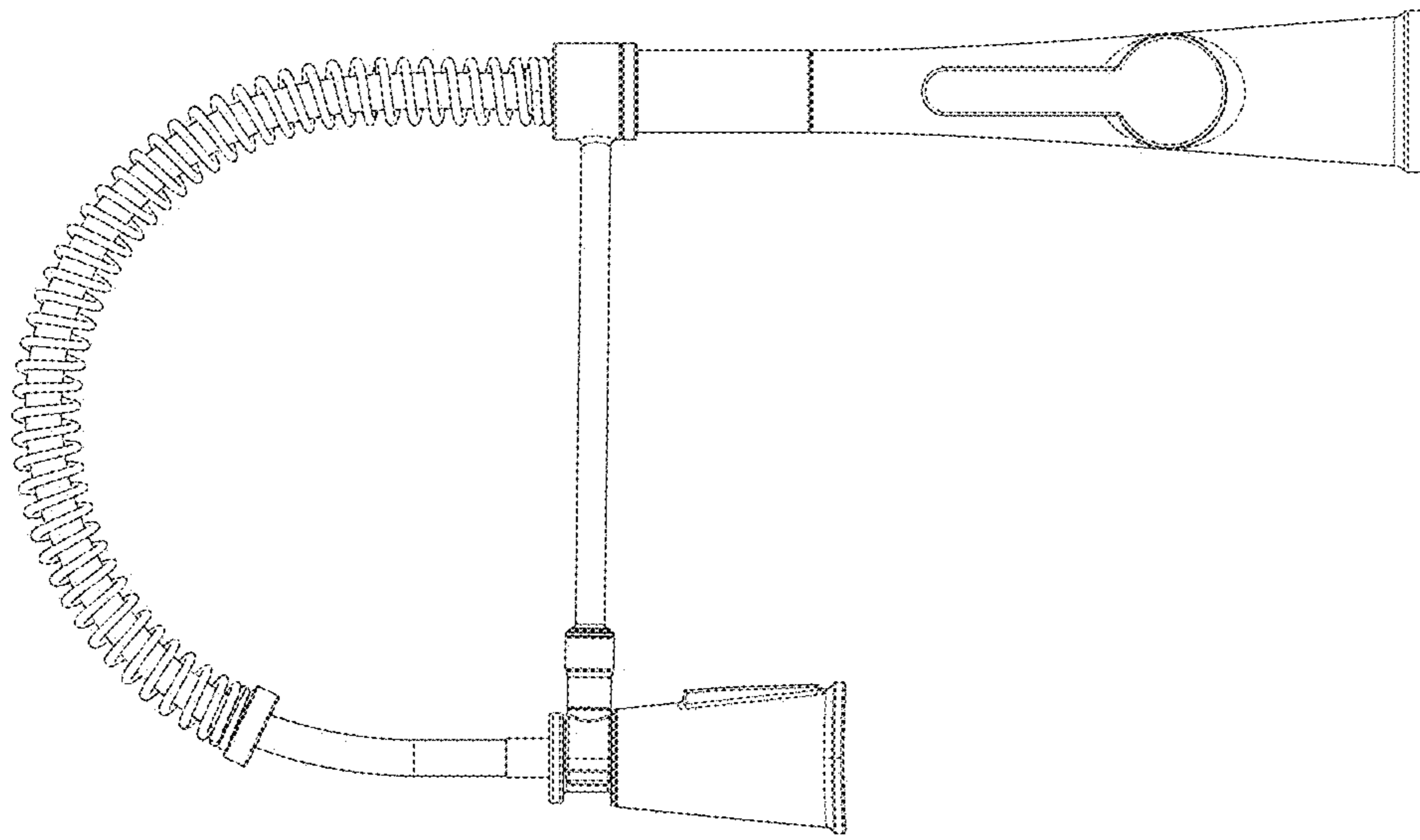


FIG - 4

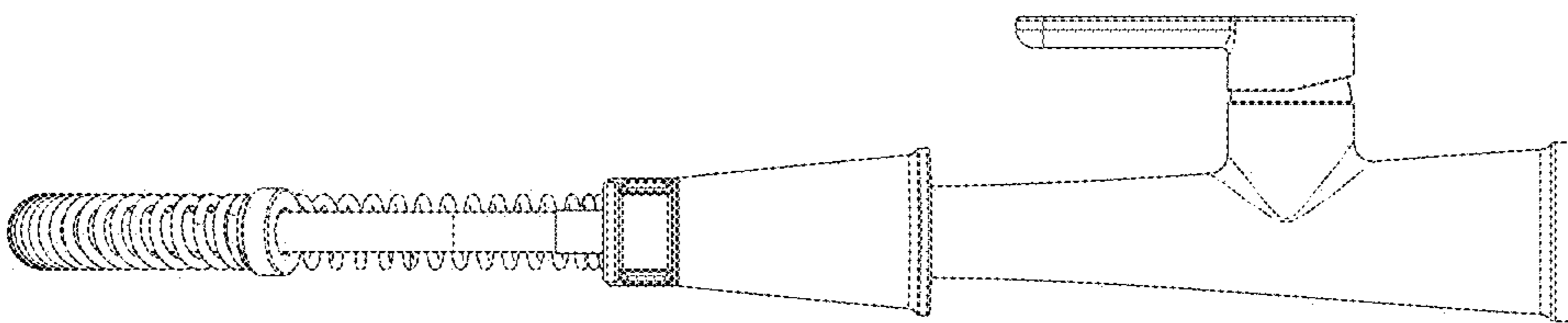


FIG - 3

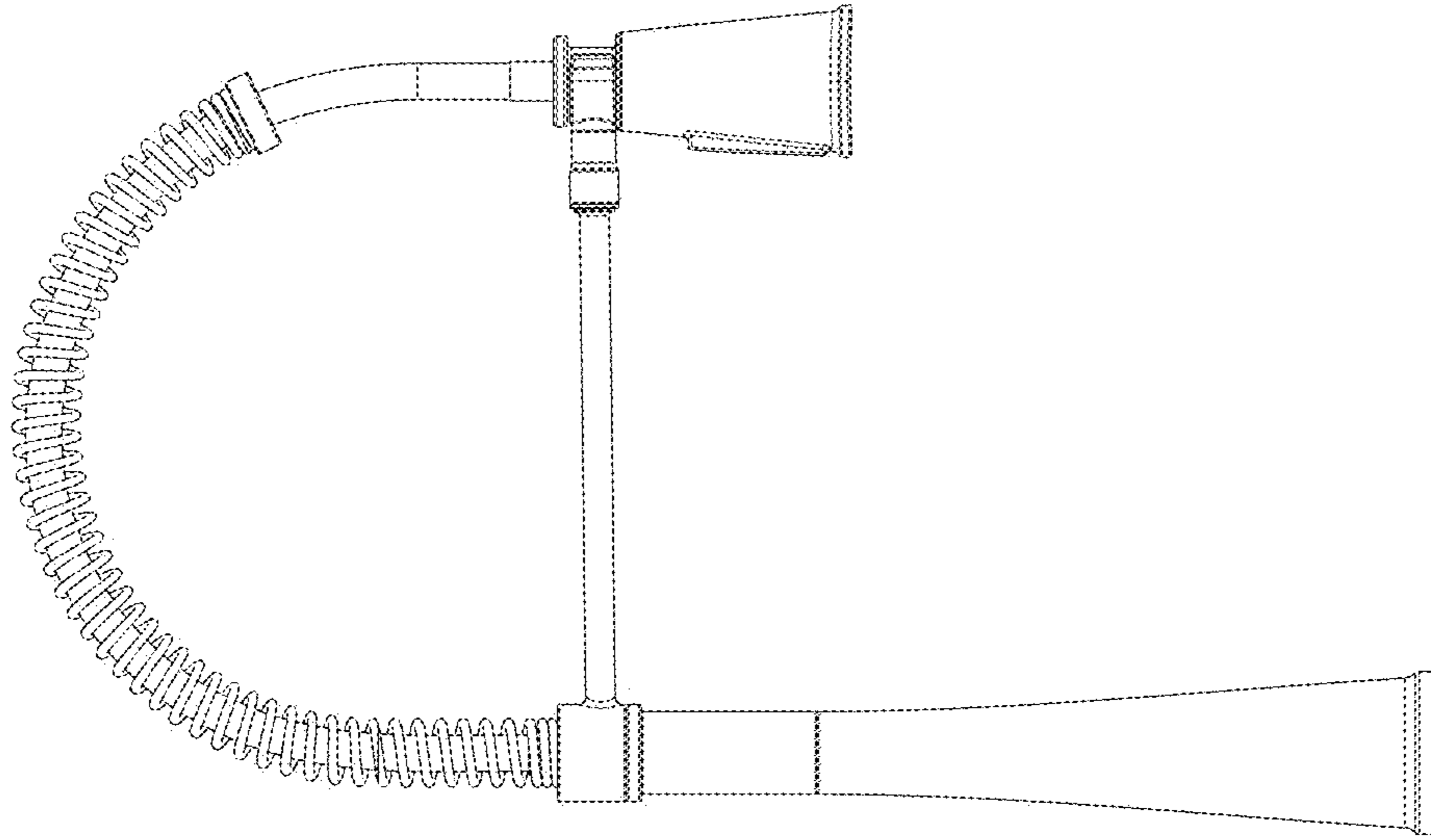


FIG - 6

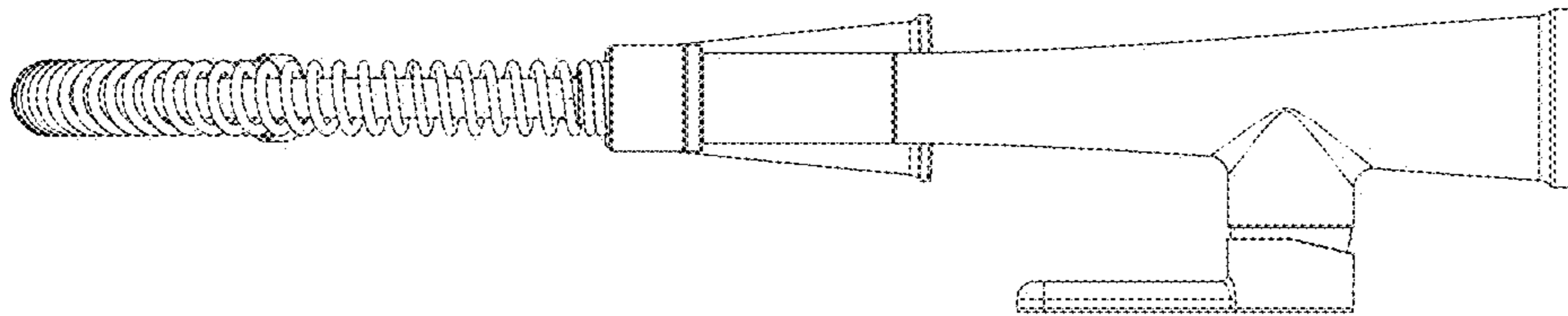


FIG - 5

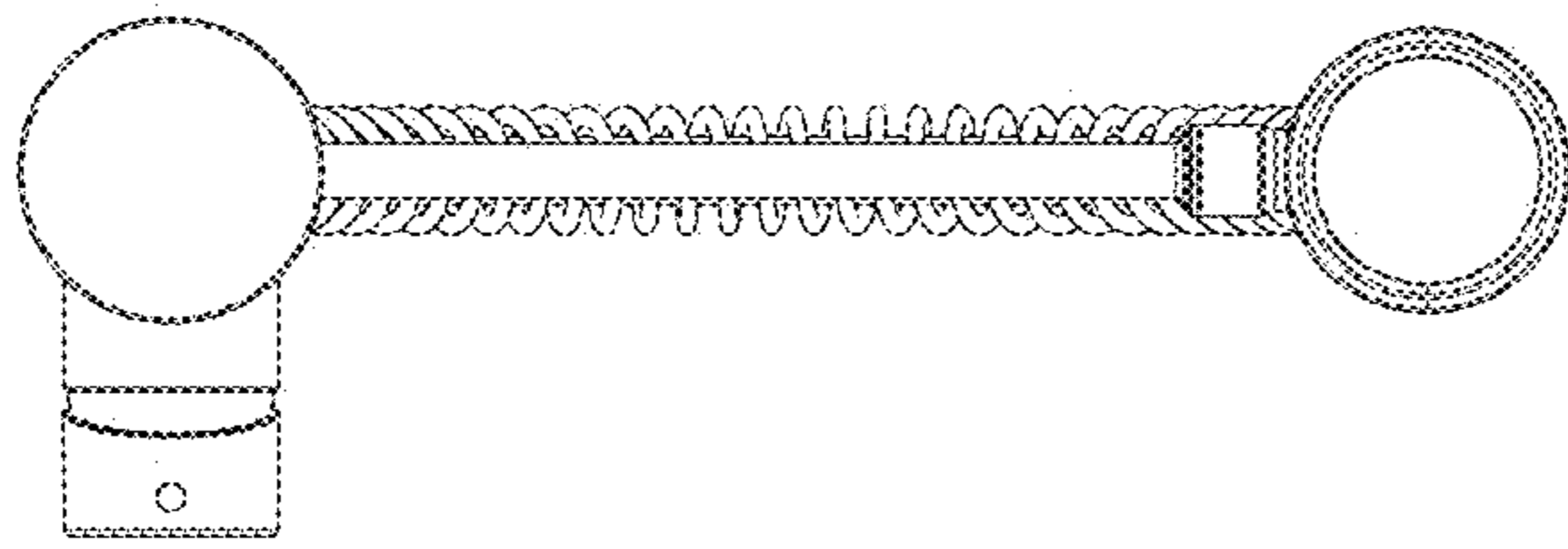


FIG - 8

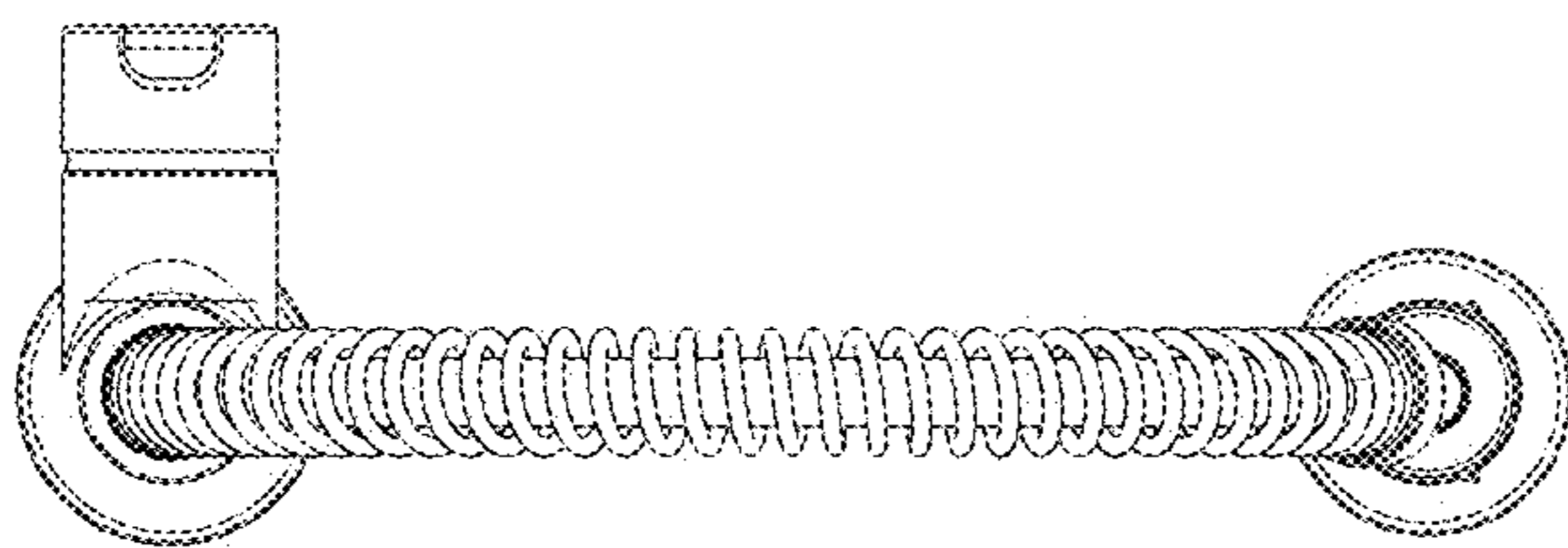


FIG - 7