



US00D989917S

(12) **United States Design Patent** (10) **Patent No.:** **US D989,917 S**  
**Citterio** (45) **Date of Patent:** **\*\* Jun. 20, 2023**

(54) **MOUNTED FAUCET**  
(71) Applicant: **HANS GROHE SE**, Schiltach (DE)  
(72) Inventor: **Antonio Citterio**, Milan (IT)  
(73) Assignee: **Hansgrohe SE**, Schiltach (DE)  
(\*\*) Term: **15 Years**  
(21) Appl. No.: **29/777,867**  
(22) Filed: **Apr. 8, 2021**

WO D060961-010 9/2002  
WO D063177-001 3/2003  
WO D063177-009 3/2003

**OTHER PUBLICATIONS**

Hansgrohe 31251000 Metris Wall-Mounted Basin Tap Low Flow, Chrome, Silver, Spout Length, [https://www.amazon.com/dp/B00HGGBBMM/ref=sbl\\_dp\\_x\\_home-improvement-bath-bathroom-faucets\\_B083ZJTMZ8\\_0](https://www.amazon.com/dp/B00HGGBBMM/ref=sbl_dp_x_home-improvement-bath-bathroom-faucets_B083ZJTMZ8_0) (Year: 2014).\*

\* cited by examiner

*Primary Examiner* — Robert A Delehanty

(74) *Attorney, Agent, or Firm* — Lora J. Graentzdoerffer

(30) **Foreign Application Priority Data**

Oct. 9, 2020 (EM) ..... 008198089-0006

(51) **LOC (14) Cl.** ..... **23-01**

(52) **U.S. Cl.**  
USPC ..... **D23/238**

(58) **Field of Classification Search**  
USPC ..... D23/238, 241–243, 249, 239–240, 250,  
D23/252, 254–255, 257; D8/307–308  
See application file for complete search history.

(57) **CLAIM**

The ornamental design for a mounted faucet, as shown and described.

**DESCRIPTION**

FIG. 1 is a perspective view of a mounted faucet showing our design;

FIG. 2 is a front elevational view;

FIG. 3 is a rear elevational view;

FIG. 4 is a side elevational view;

FIG. 5 is a side elevational view;

FIG. 6 is a top plan view; and,

FIG. 7 is a bottom plan view.

The broken line disclosures in the view represents portions of a mounted faucet in which the claimed design is embodied, but which forms no part of the claimed design.

(56) **References Cited**

**U.S. PATENT DOCUMENTS**

D493,210 S \* 7/2004 Citterio ..... D23/238  
D582,009 S \* 12/2008 Citterio ..... D23/238  
D712,520 S \* 9/2014 Citterio ..... D23/255  
D819,181 S \* 5/2018 Citterio ..... D23/254  
D912,210 S \* 3/2021 Liu ..... D23/238  
D912,212 S \* 3/2021 Liu ..... D23/238

**FOREIGN PATENT DOCUMENTS**

EM 000532932-0005 7/2006  
WO D060961-009 9/2002

**1 Claim, 7 Drawing Sheets**

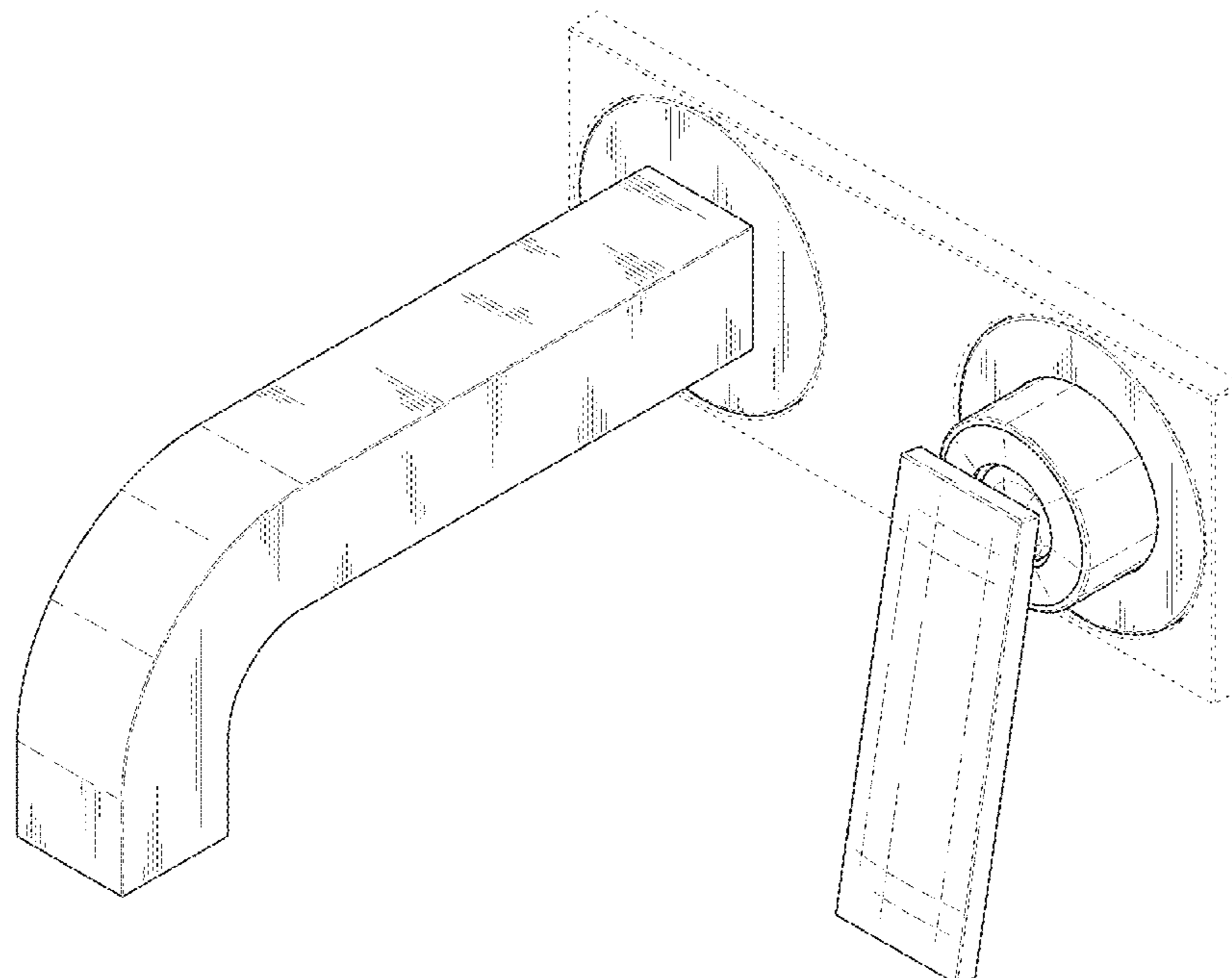


FIG. 1

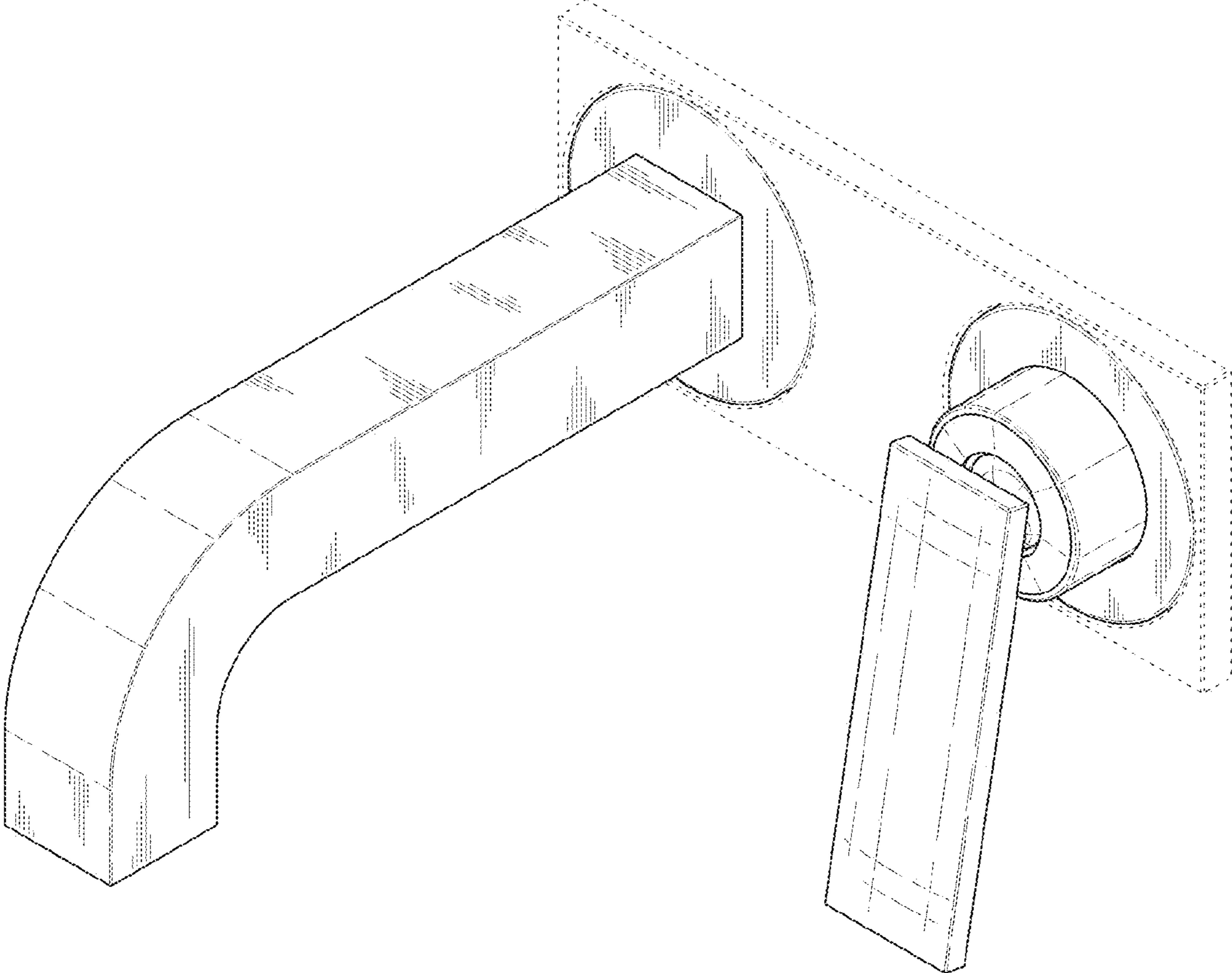


FIG. 2

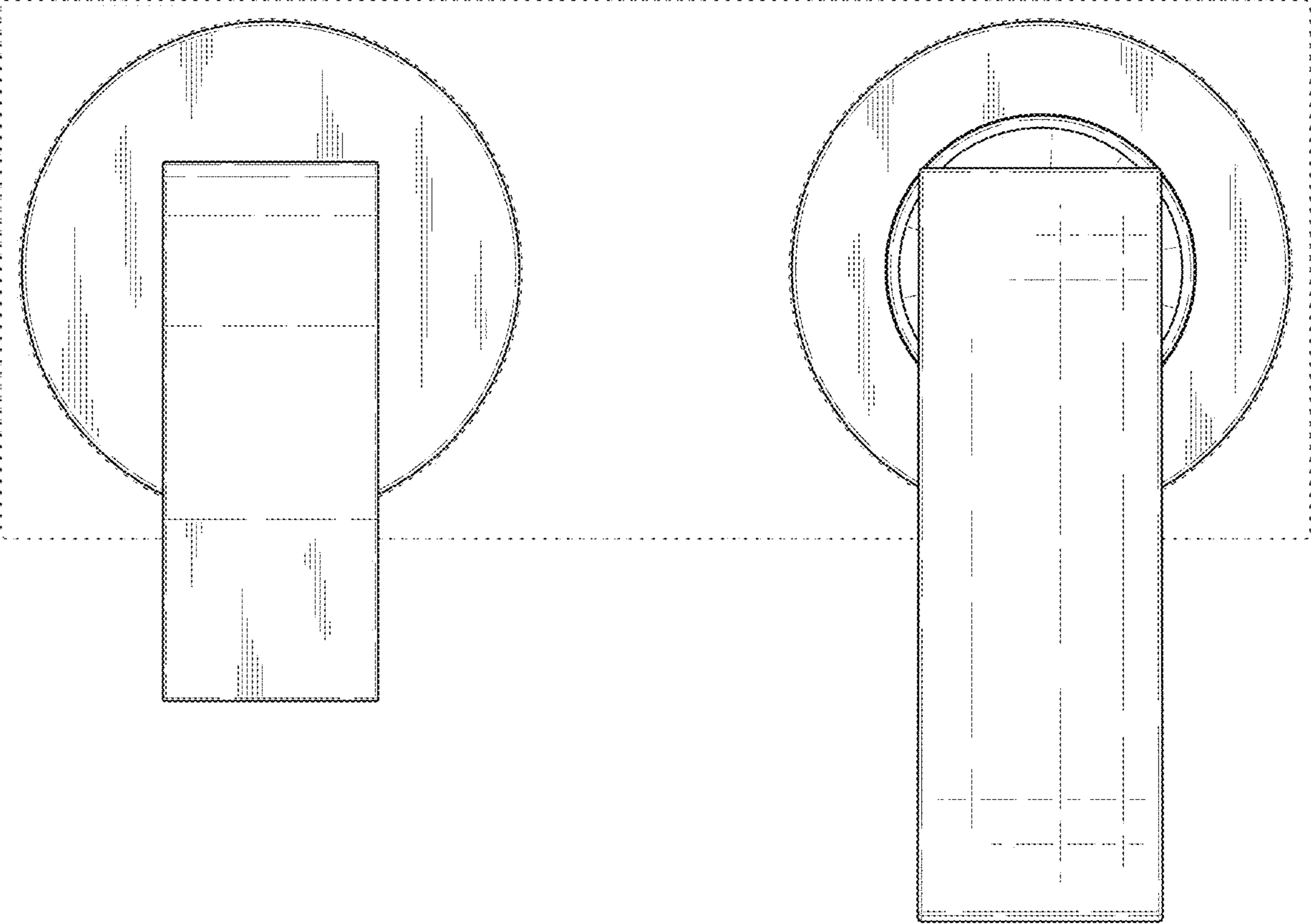


FIG. 3

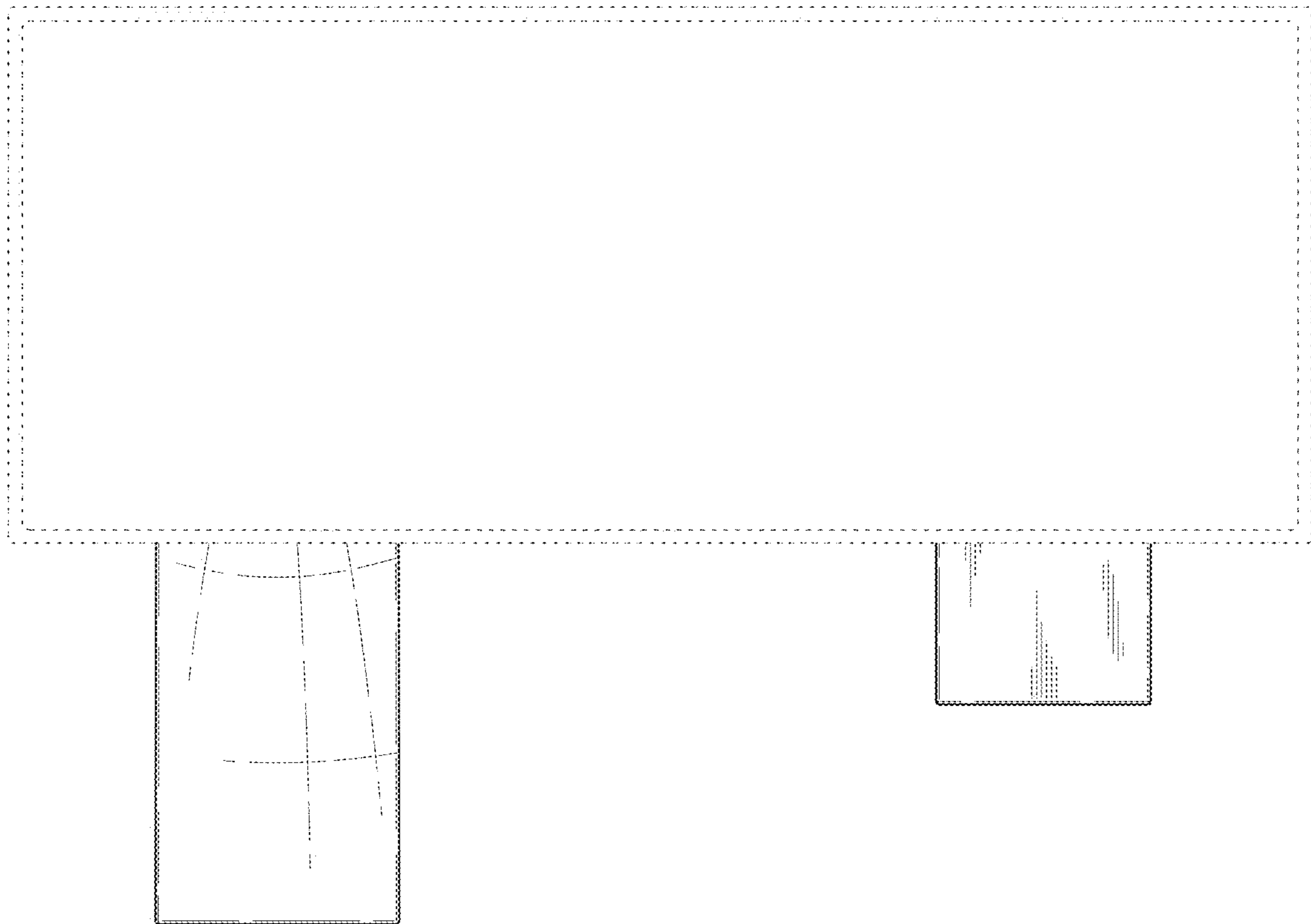


FIG. 4

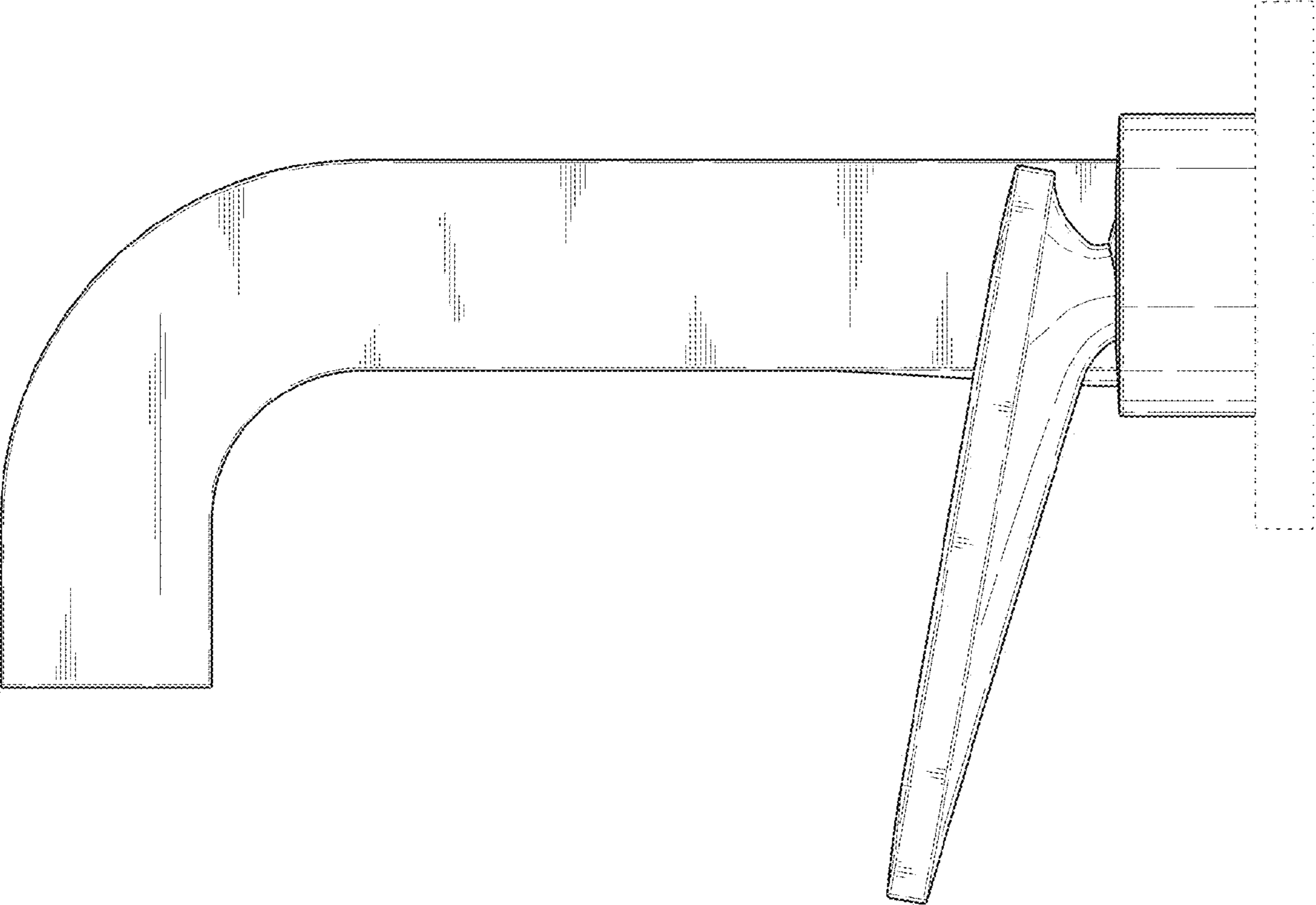


FIG. 5

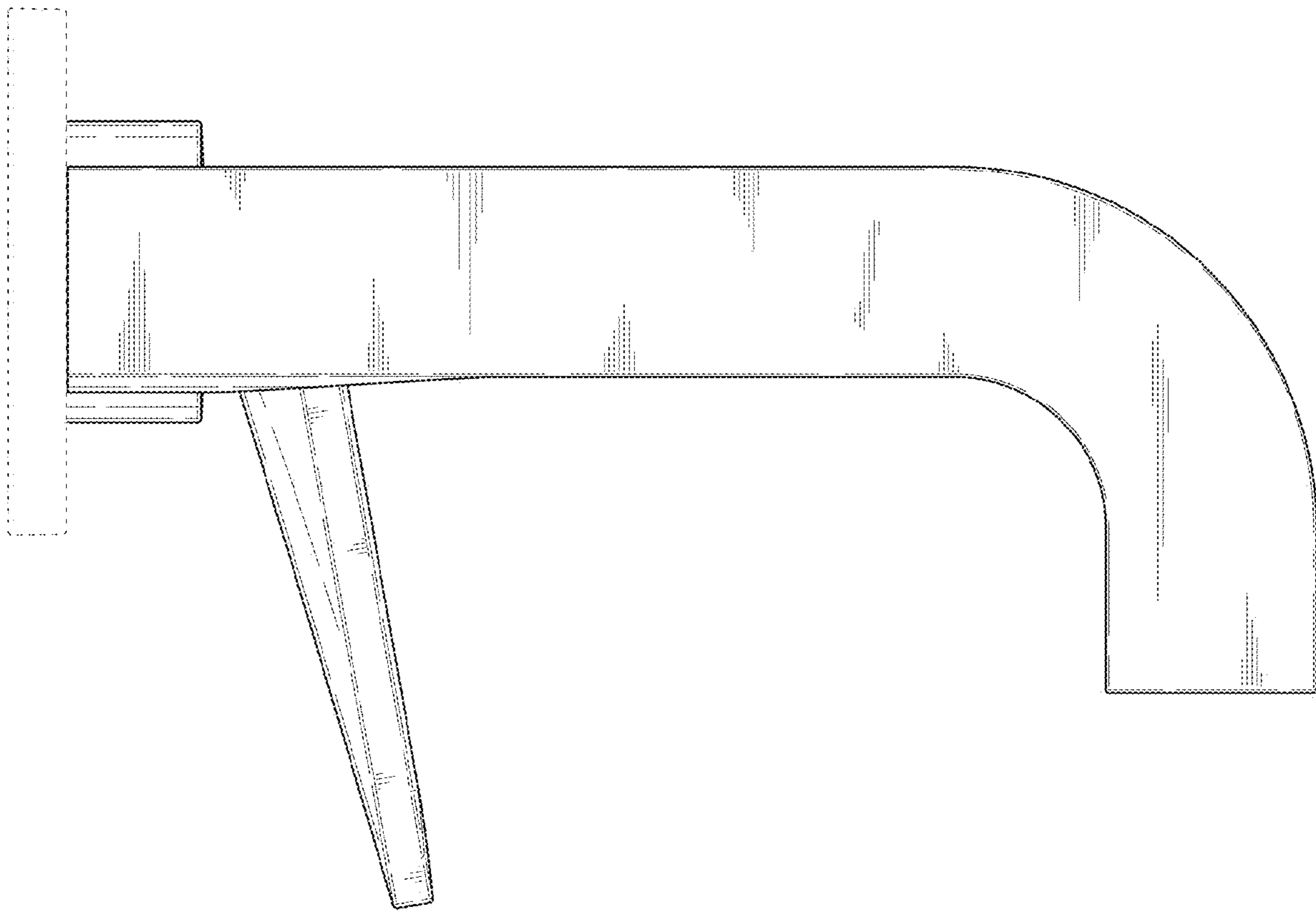


FIG. 6

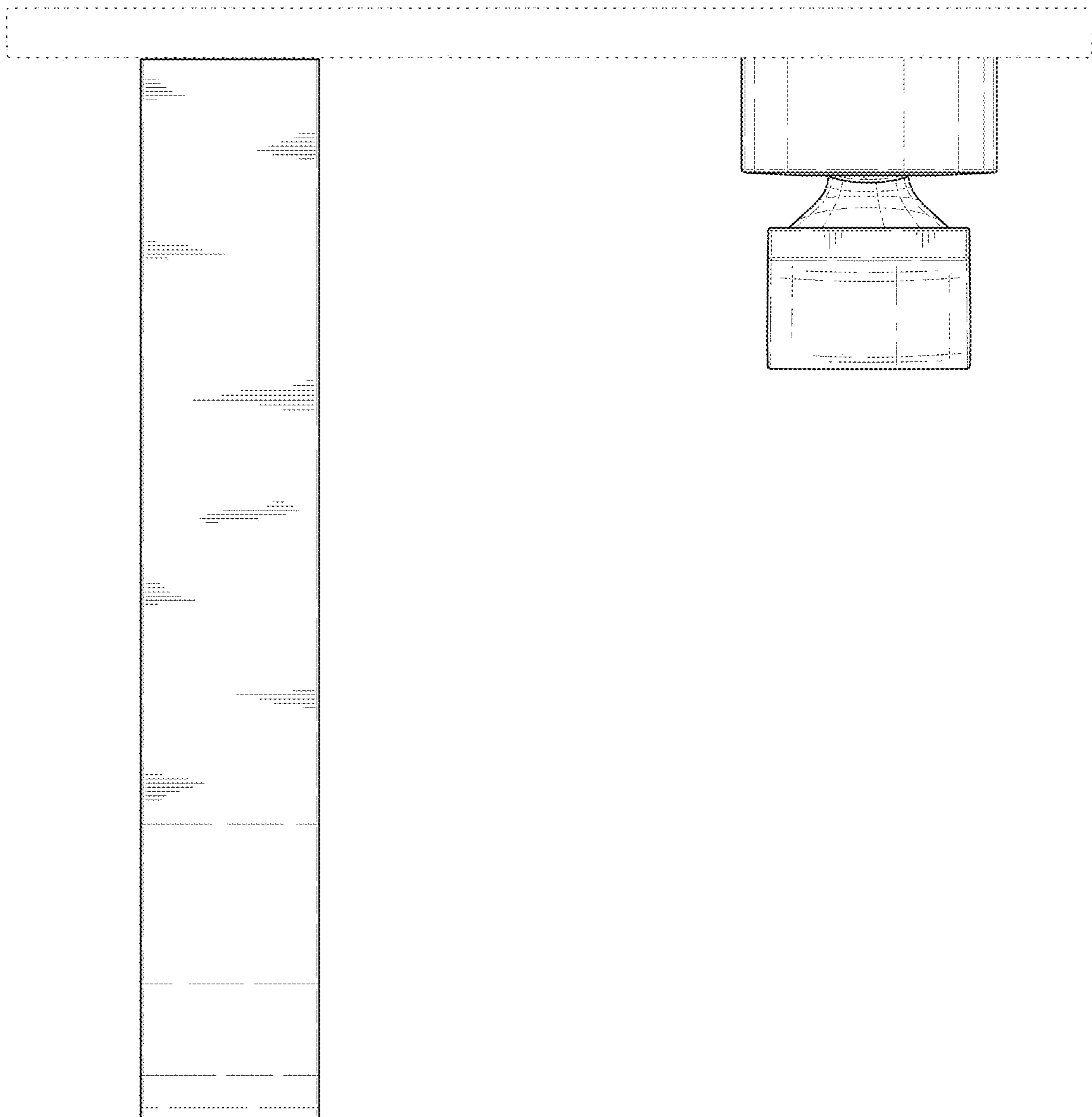


FIG. 7

