



US00D989915S

(12) **United States Design Patent**  
**Pelletier**

(10) **Patent No.:** **US D989,915 S**

(45) **Date of Patent:** **\*\* Jun. 20, 2023**

(54) **NOZZLE FOR GARDEN HOSE**

(56) **References Cited**

(71) Applicant: **P.E.M. PRODUITS INNOVANT INC.**, Bromont (CA)

U.S. PATENT DOCUMENTS

(72) Inventor: **Pierre Pelletier**, Bromont (CA)

D240,264	S	*	6/1976	MacLaren	.....	D23/213
D469,847	S	*	2/2003	Schroeder	.....	D23/213
D497,407	S	*	10/2004	Mather	.....	D23/213
D532,864	S	*	11/2006	Mather	.....	D23/213
7,708,211	B2	*	5/2010	Maier	.....	B05C 17/00516

(\*\*) Term: **15 Years**

D714,906	S	*	10/2014	Williams	.....	D23/213
----------	---	---	---------	----------	-------	---------

(21) Appl. No.: **35/515,230**

D723,136	S	*	2/2015	Roberts	.....	D23/213
----------	---	---	--------	---------	-------	---------

(22) Filed: **Dec. 20, 2021**

D723,657	S	*	3/2015	Lee	.....	D23/213
----------	---	---	--------	-----	-------	---------

(80) **Hague Agreement Data**

Int. Filing Date: **Dec. 20, 2021**

Int. Reg. No.: **DM/223429**

Int. Reg. Date: **Dec. 20, 2021**

Int. Reg. Pub. Date: **Sep. 23, 2022**

D724,695	S	*	3/2015	Wright	.....	D23/213
----------	---	---	--------	--------	-------	---------

D745,118	S	*	12/2015	Kenney	.....	D23/262
----------	---	---	---------	--------	-------	---------

D758,531	S	*	6/2016	Williams	.....	D23/213
----------	---	---	--------	----------	-------	---------

D774,163	S	*	12/2016	Solakian	.....	D23/213
----------	---	---	---------	----------	-------	---------

D806,149	S	*	12/2017	Williams	.....	D15/138
----------	---	---	---------	----------	-------	---------

D837,343	S	*	1/2019	Nikles	.....	D23/213
----------	---	---	--------	--------	-------	---------

D837,933	S	*	1/2019	Carroll	.....	D23/213
----------	---	---	--------	---------	-------	---------

\* cited by examiner

*Primary Examiner* — Keith J Wilson

(51) **LOC (14) Cl.** ..... **23-01**

(57) **CLAIM**

(52) **U.S. Cl.**

The ornamental design for a nozzle for a garden hose, as shown and described.

USPC ..... **D23/213**

(58) **Field of Classification Search**

**DESCRIPTION**

USPC ..... D23/213, 214, 215, 223, 224, 226, 229, D23/230

1. Nozzle for garden hose

**1.1** : Front

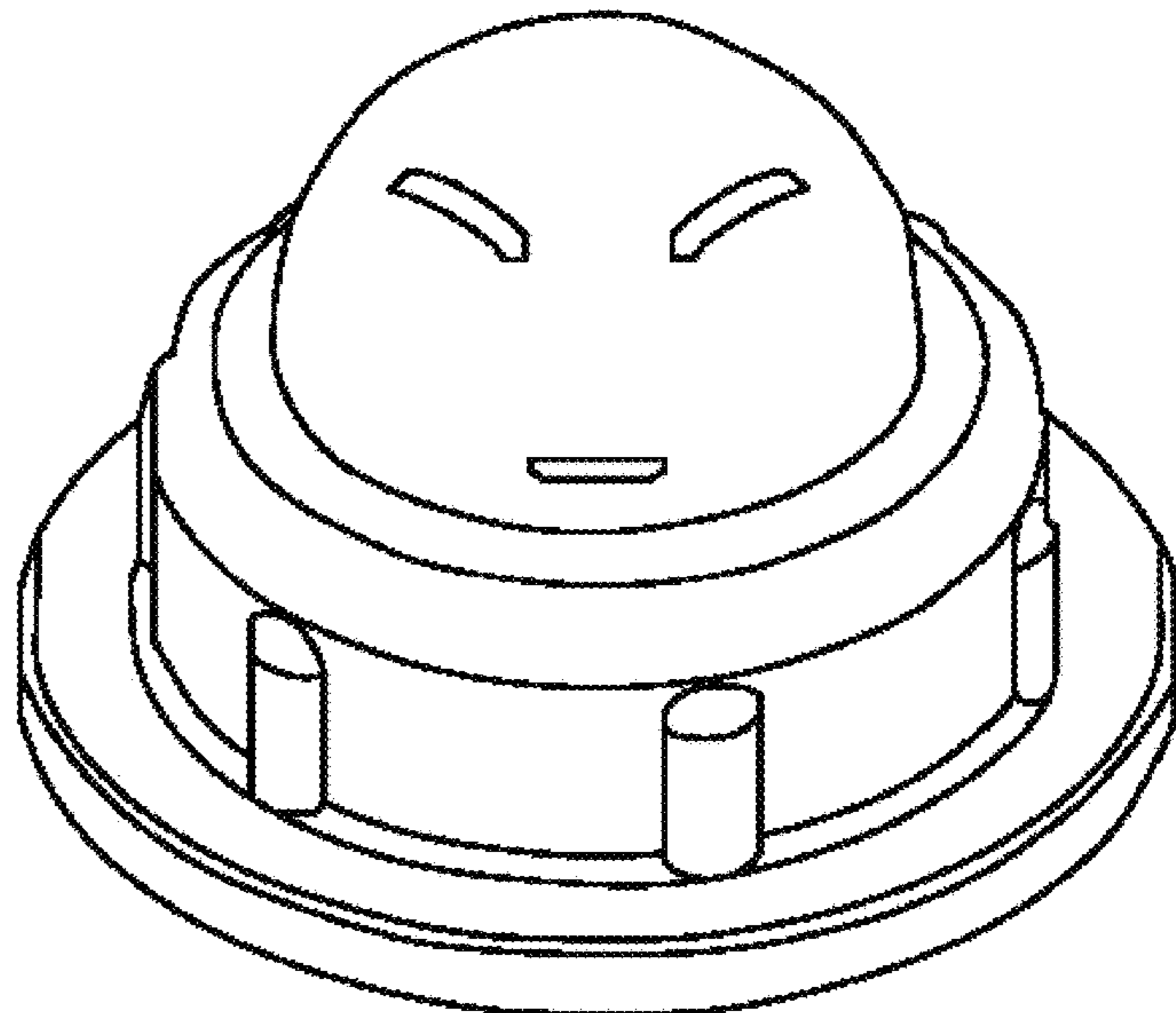
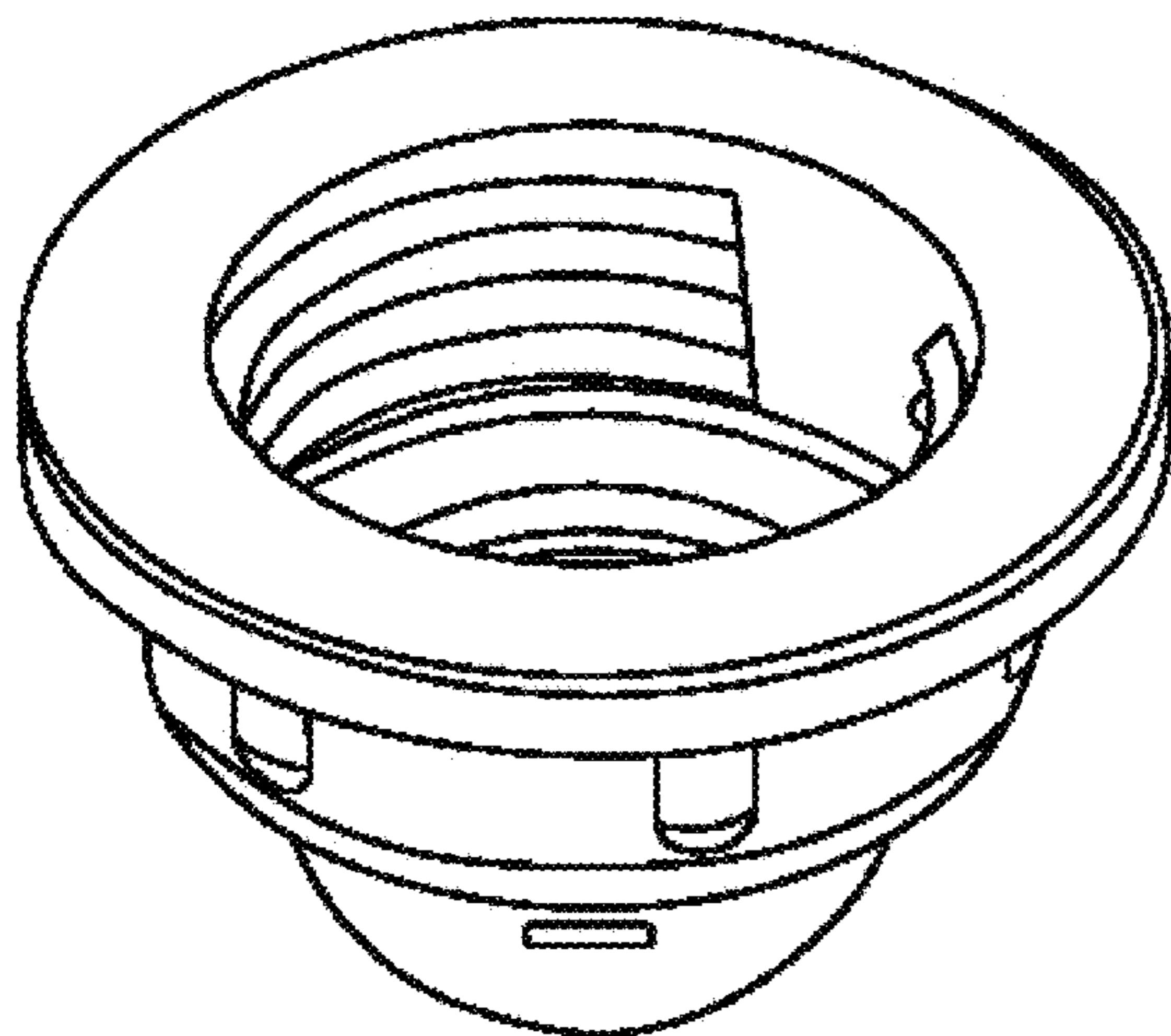
**1.2** : Bottom

**1.3** : Perspective

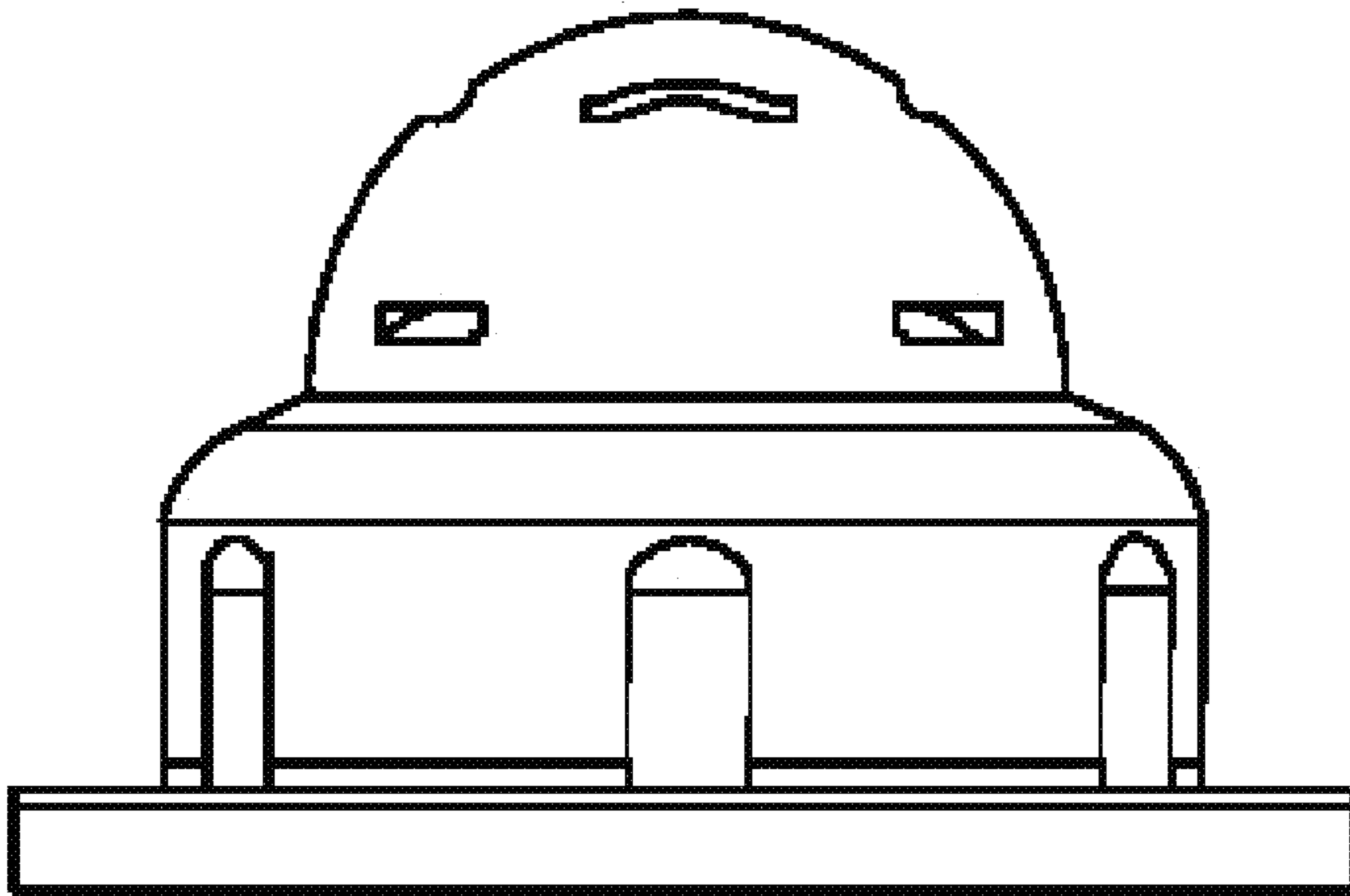
CPC ..... A61H 9/0021; A61H 33/00; B05B 1/00; B05B 1/14; B05B 1/185; B05B 1/08; B05B 1/02; B05B 1/26; B05B 12/002; B05B 1/18; B05B 9/01

See application file for complete search history.

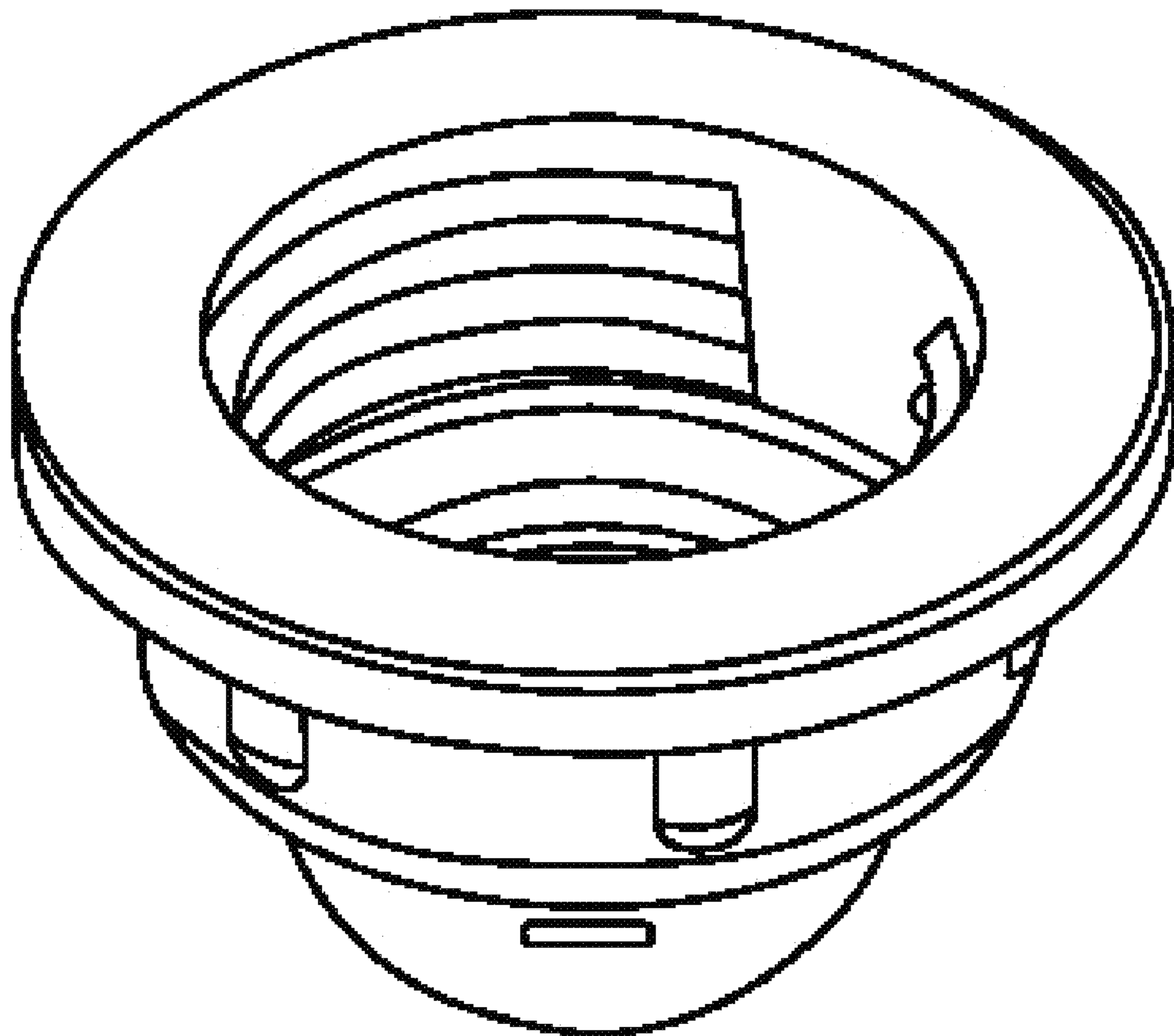
**1 Claim, 3 Drawing Sheets**



**1.1**



**1.2**



# 1.3

