



US00D989914S

(12) **United States Design Patent**
Koyama et al.

(10) **Patent No.: US D989,914 S**
(45) **Date of Patent: ** Jun. 20, 2023**

(54) **MIXING NOZZLE**

FOREIGN PATENT DOCUMENTS

(71) Applicant: **KURASHIKI SYSTEM DESIGN CO., LTD**, Kurashiki (JP)

JP 2006-158673 A 6/2006
JP 2006-159092 A 6/2006
JP 2006-161420 A 6/2006

(72) Inventors: **Shohei Koyama**, Kurashiki (JP); **Yasuo Koyama**, Kurashiki (JP)

OTHER PUBLICATIONS

(73) Assignee: **KURASHIKI SYSTEM DESIGN CO., LTD.**, Okayama (JP)

Homeright C900110 Spray Tip, Dec. 3, 2019, Amazon.com, Mar. 11, 2021: URL https://www.amazon.com/Homeright-C900110-Finish-Orange-Yellow/dp/B07L39NHLZ/ref=sr_1_186?dchild=1&keywords=paint+nozzle&qid=1615499210&sr=8-186 (Year: 2019).*

(**) Term: **15 Years**

(Continued)

(21) Appl. No.: **29/756,095**

Primary Examiner — Keith J Wilson

(22) Filed: **Oct. 26, 2020**

(74) Attorney, Agent, or Firm — Pearne & Gordon LLP

(30) **Foreign Application Priority Data**

Jun. 9, 2020 (JP) 2020-011366 D

(51) **LOC (14) Cl.** **23-01**

(52) **U.S. Cl.**
USPC **D23/213**

(58) **Field of Classification Search**

USPC D23/213, 214, 215, 223, 224, 226, 229
CPC A61H 9/0021; A61H 33/00; B05B 1/00;
B05B 1/14; B05B 1/185; B05B 1/08;
B05B 1/02; B05B 1/26; B05B 12/002;
B05B 1/18; B05B 9/01

See application file for complete search history.

(56) **References Cited**

U.S. PATENT DOCUMENTS

D436,648 S * 1/2001 Maddox D23/213
D462,109 S * 8/2002 Adams D23/213
D565,697 S * 4/2008 Thiel D23/213
D567,900 S * 4/2008 Patterson D23/213
D686,296 S * 7/2013 Melzer D23/209
D872,828 S * 1/2020 Bloom D23/213
D872,829 S * 1/2020 Bloom D23/213
D877,777 S * 3/2020 Pickard D15/7
D904,562 S * 12/2020 Stewart D23/213
D904,565 S * 12/2020 Ross D23/213

(Continued)

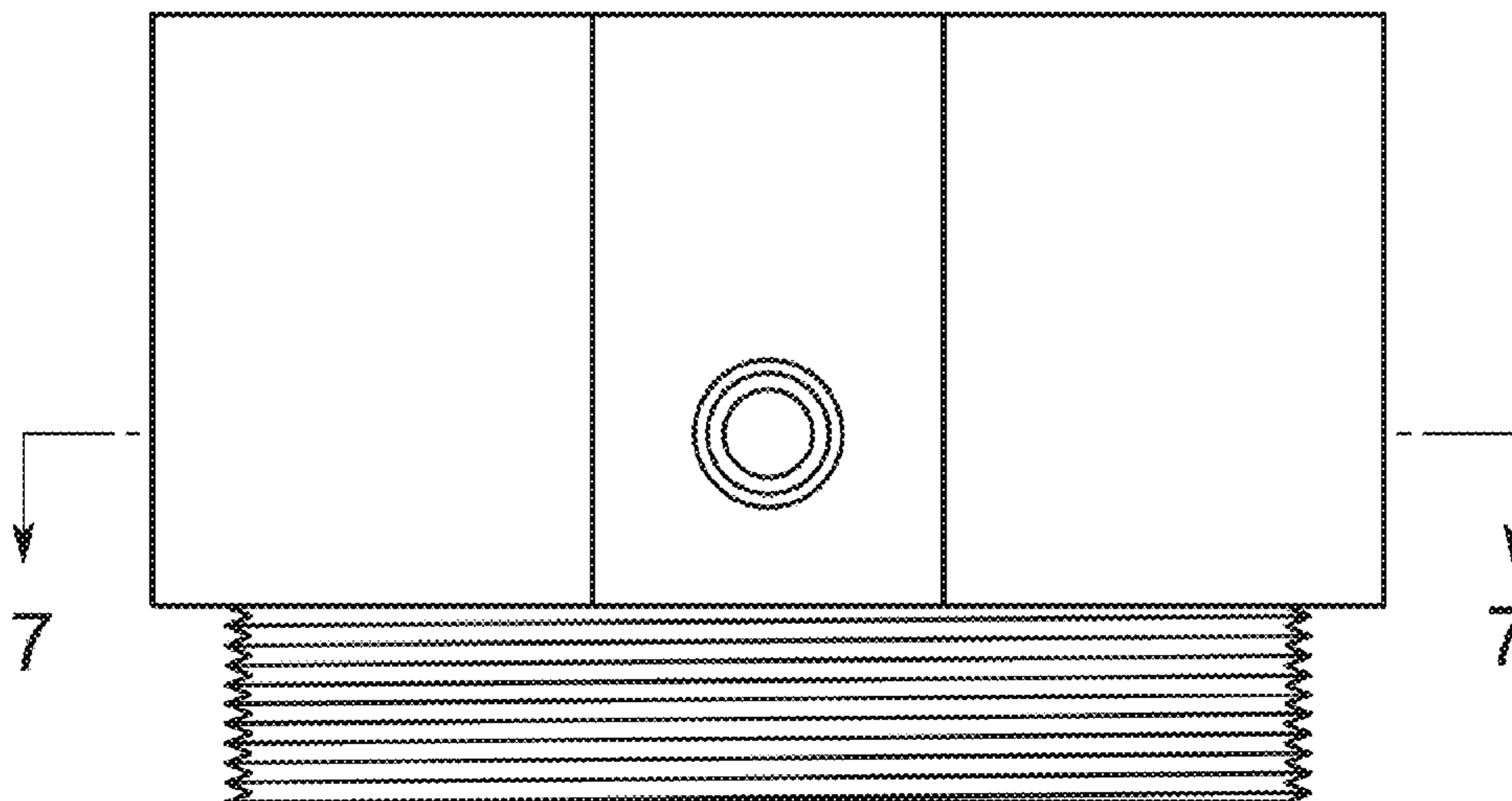
(57) **CLAIM**

The ornamental design for a mixing nozzle, as shown and described.

DESCRIPTION

FIG. 1 is a front view of a mixing nozzle showing our new design;
FIG. 2 is a rear view thereof;
FIG. 3 is a left side view thereof;
FIG. 4 is a right side view thereof;
FIG. 5 is a top view thereof;
FIG. 6 is a bottom view thereof;
FIG. 7 is a cross-sectional view thereof taken along section line 7-7 of FIG. 1;
FIG. 8 is a cross-sectional view thereof taken along section line 8-8 of FIG. 5;
FIG. 9 is a cross-sectional view thereof taken along section line 9-9 of FIG. 5;
FIG. 10 is a front top perspective view thereof;
FIG. 11 is a rear top perspective view thereof; and,
FIG. 12 is a front bottom perspective view thereof.

1 Claim, 12 Drawing Sheets



(56)

References Cited

U.S. PATENT DOCUMENTS

D937,383 S * 11/2021 Thibodeau B29C 49/58
D23/213
D940,270 S * 1/2022 Hillinger D23/214
D961,726 S * 8/2022 Attila D23/213
2020/0061640 A1* 2/2020 Hillinger A62C 31/05

OTHER PUBLICATIONS

Orbit WaterMaster Underground, Nov. 28, 2012, amazon.com, Aug. 25, 2022: URL <https://www.amazon.ca/Orbit-WaterMaster-Underground-51241-Plastic/dp/B0040QWLNE/> (Year: 2012).*

Yosoo Fountain Spray Nozzle Pond Nozzle Heads, Oct. 12, 2019, amazon.ca, Feb. 10, 2023, URL <https://www.amazon.ca/dp/B01MZ8CKR1/> (Year: 2023).*

* cited by examiner

Fig. 1

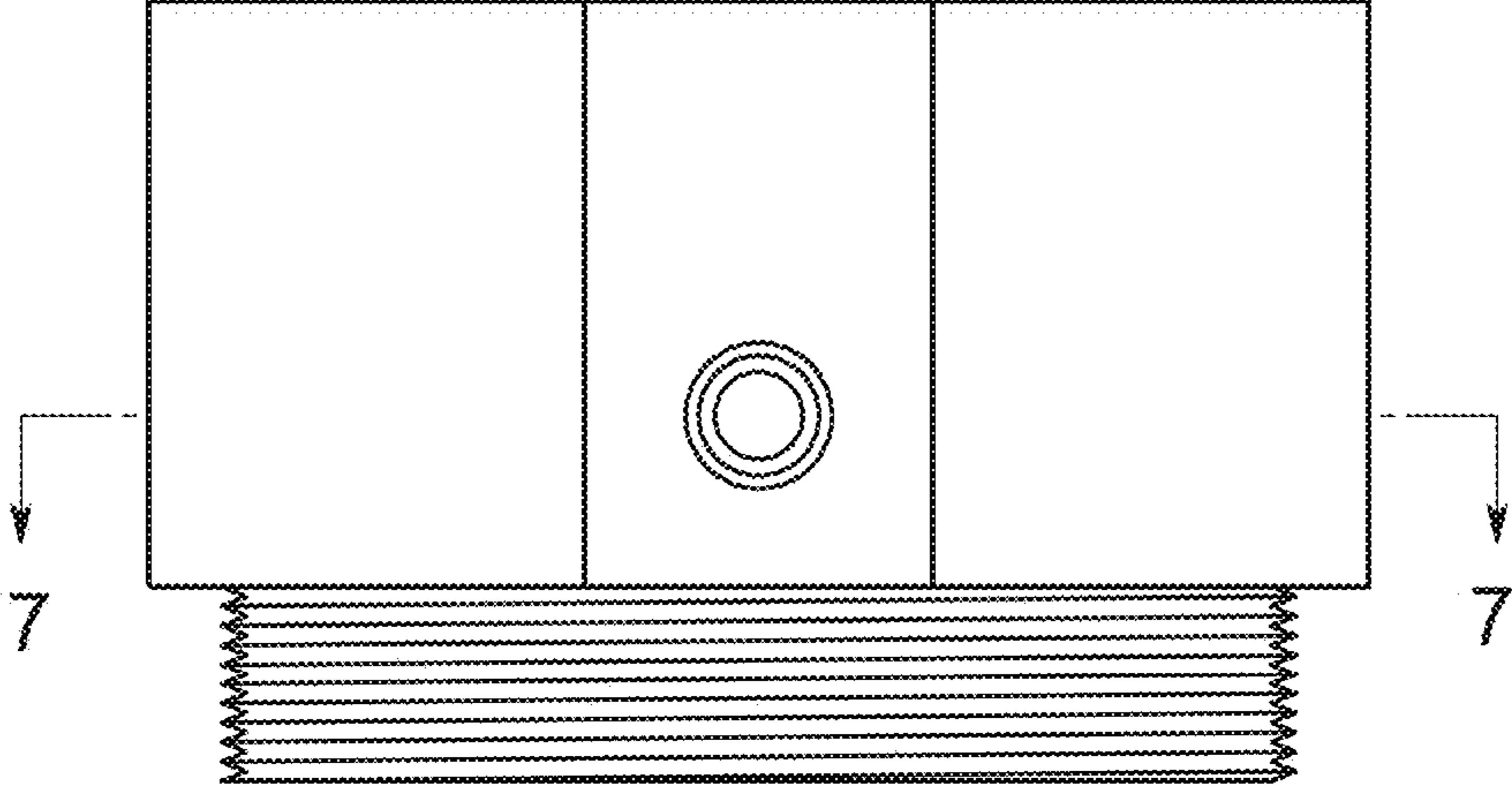


Fig. 2

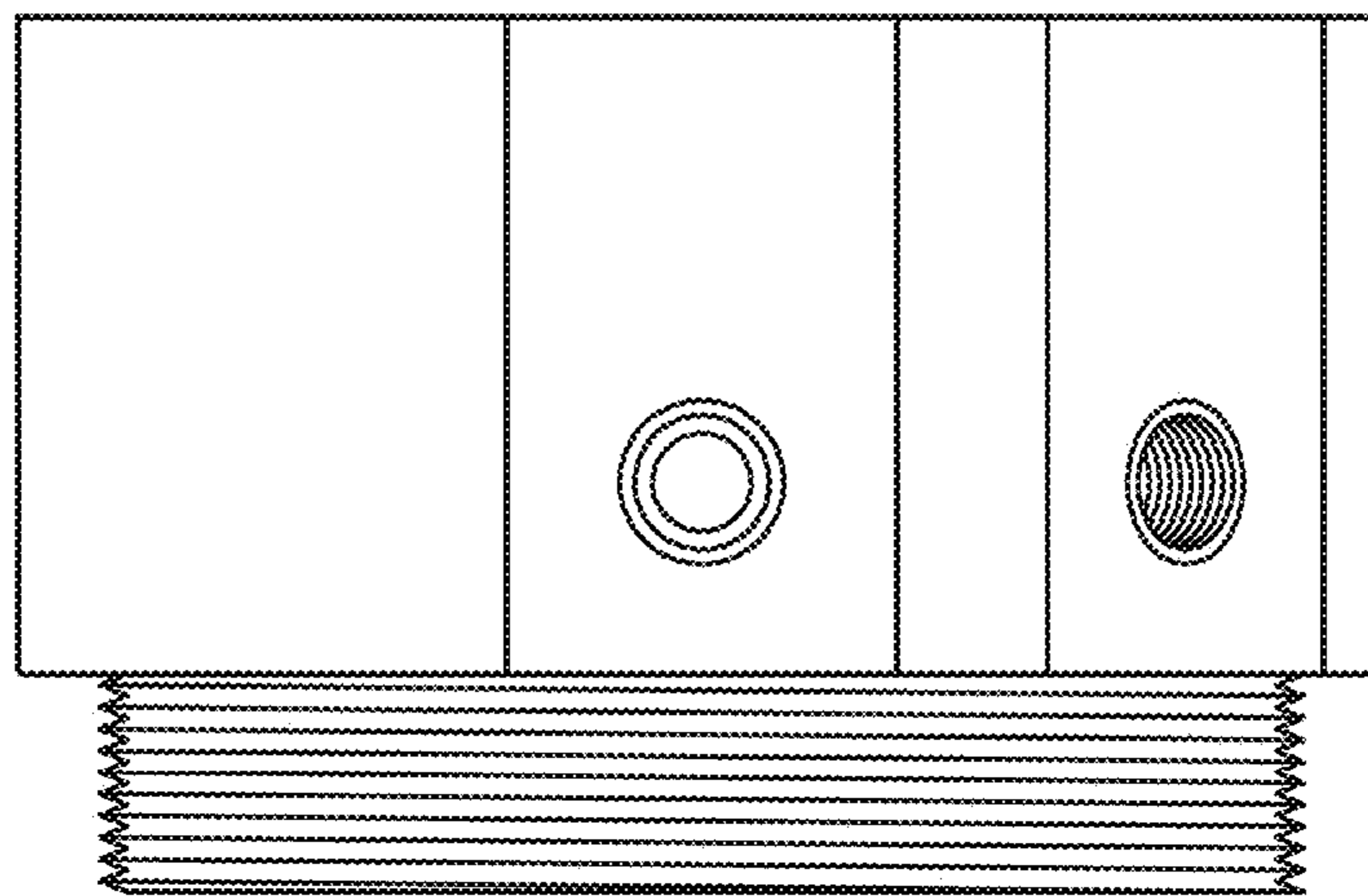


Fig. 3

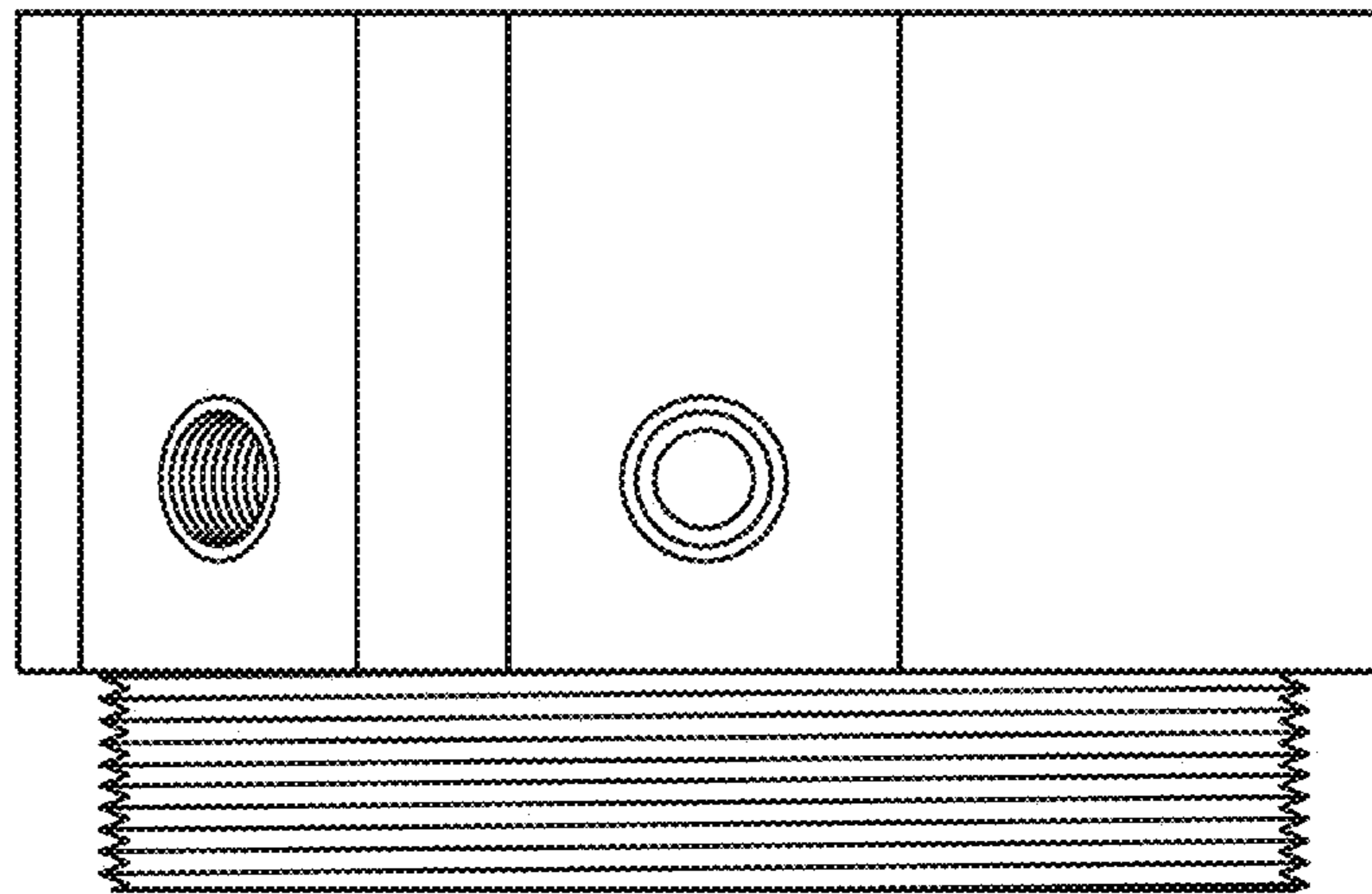


Fig. 4

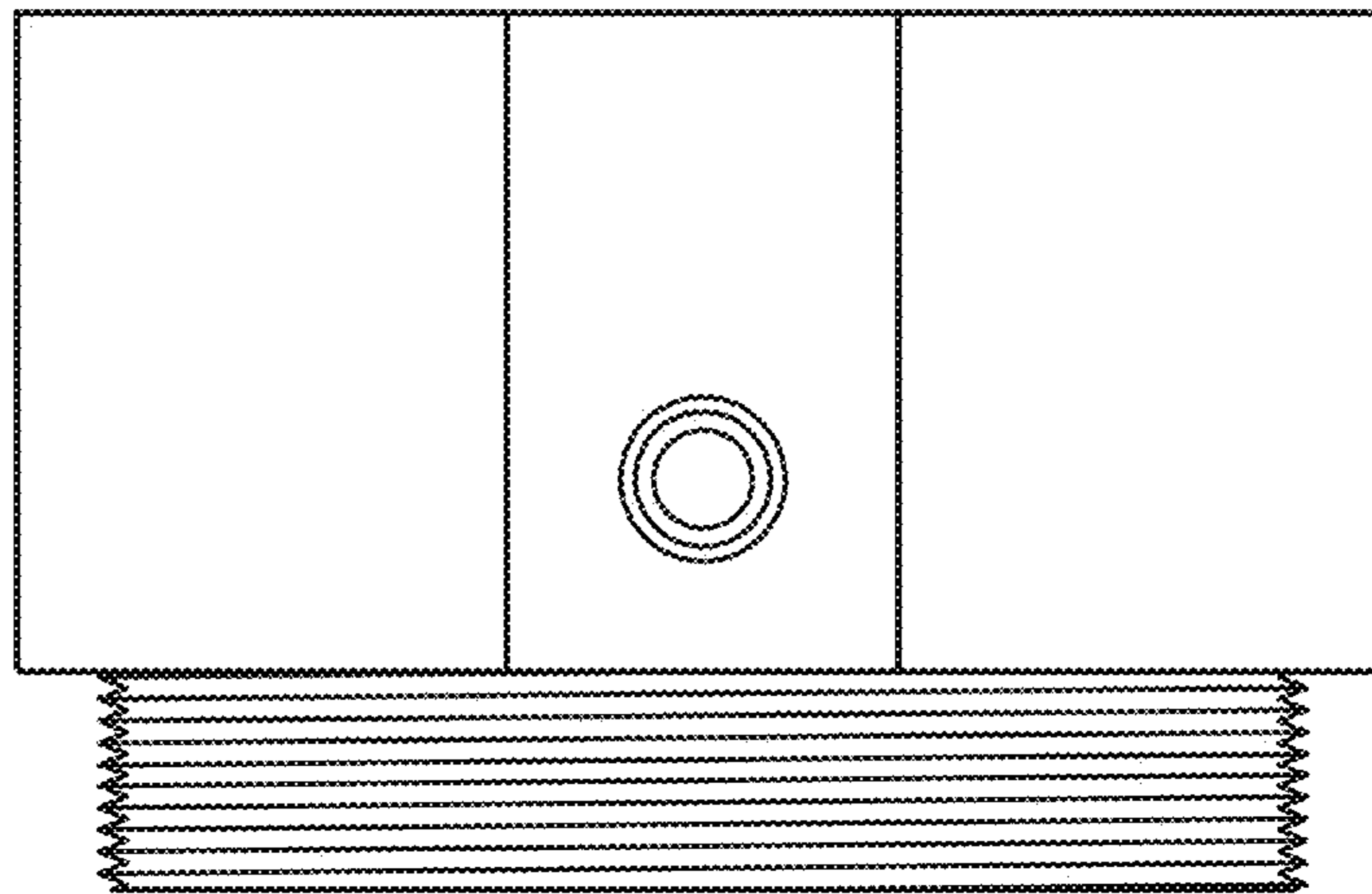


Fig. 5

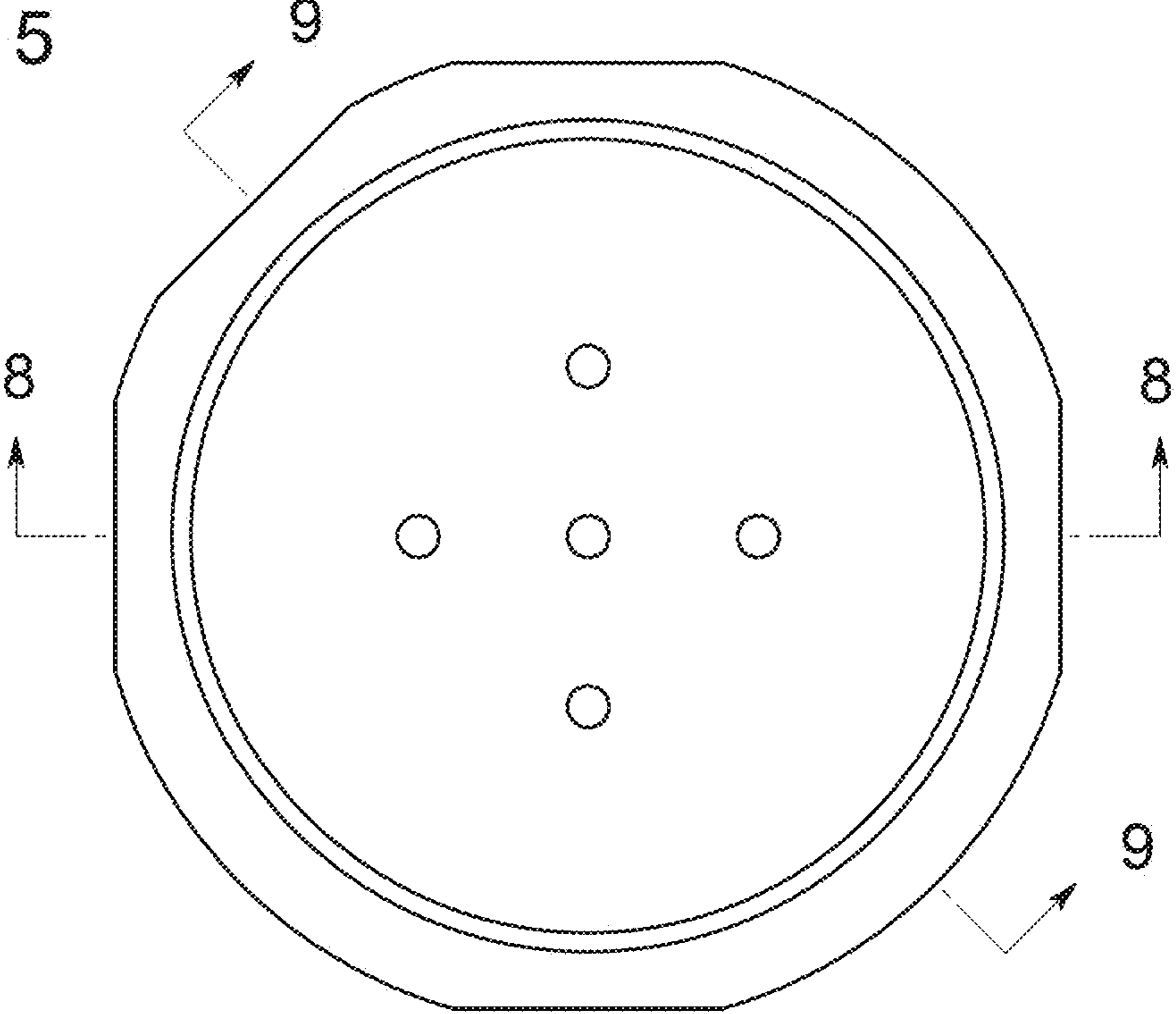


Fig. 6

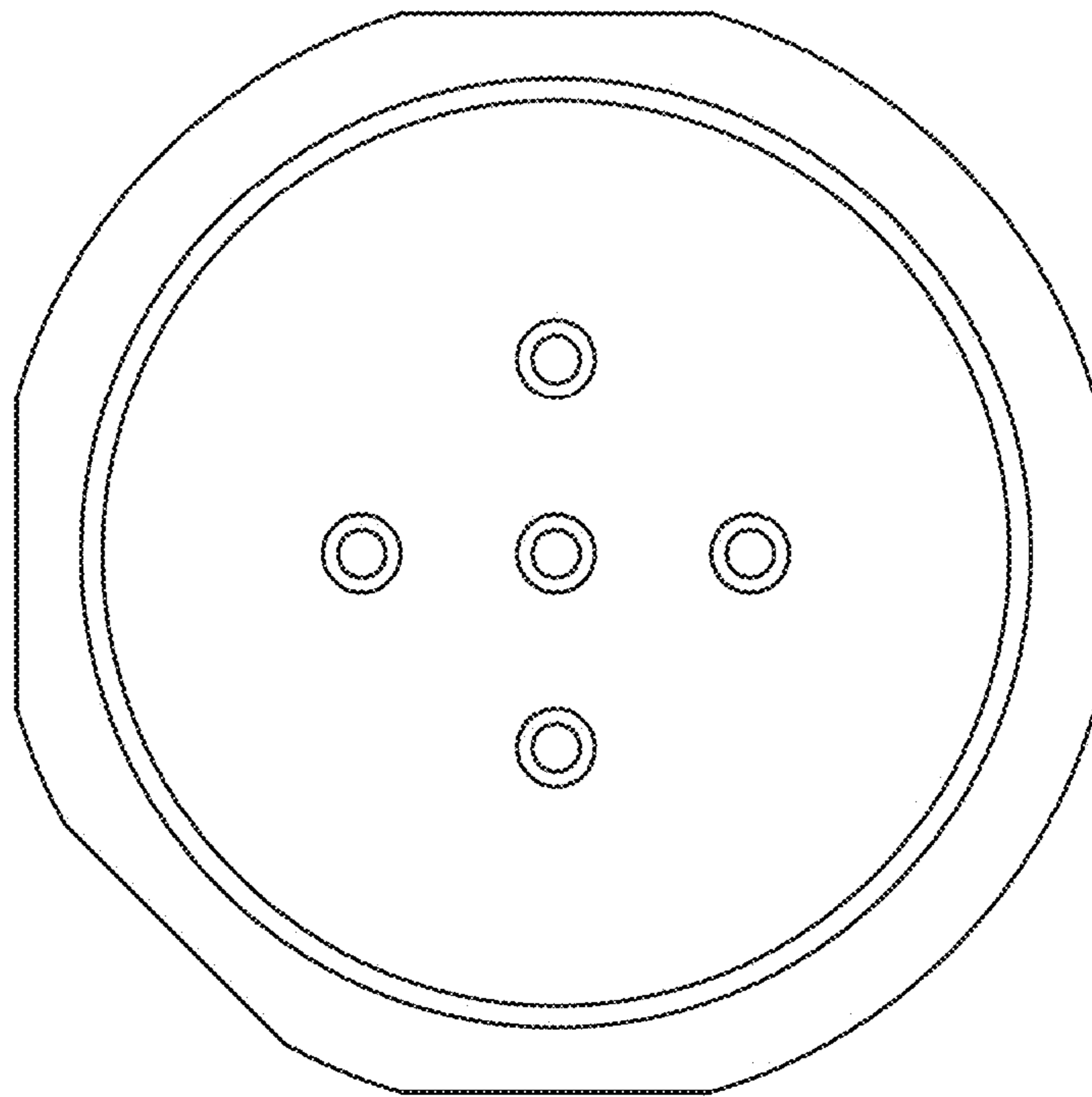


Fig. 7

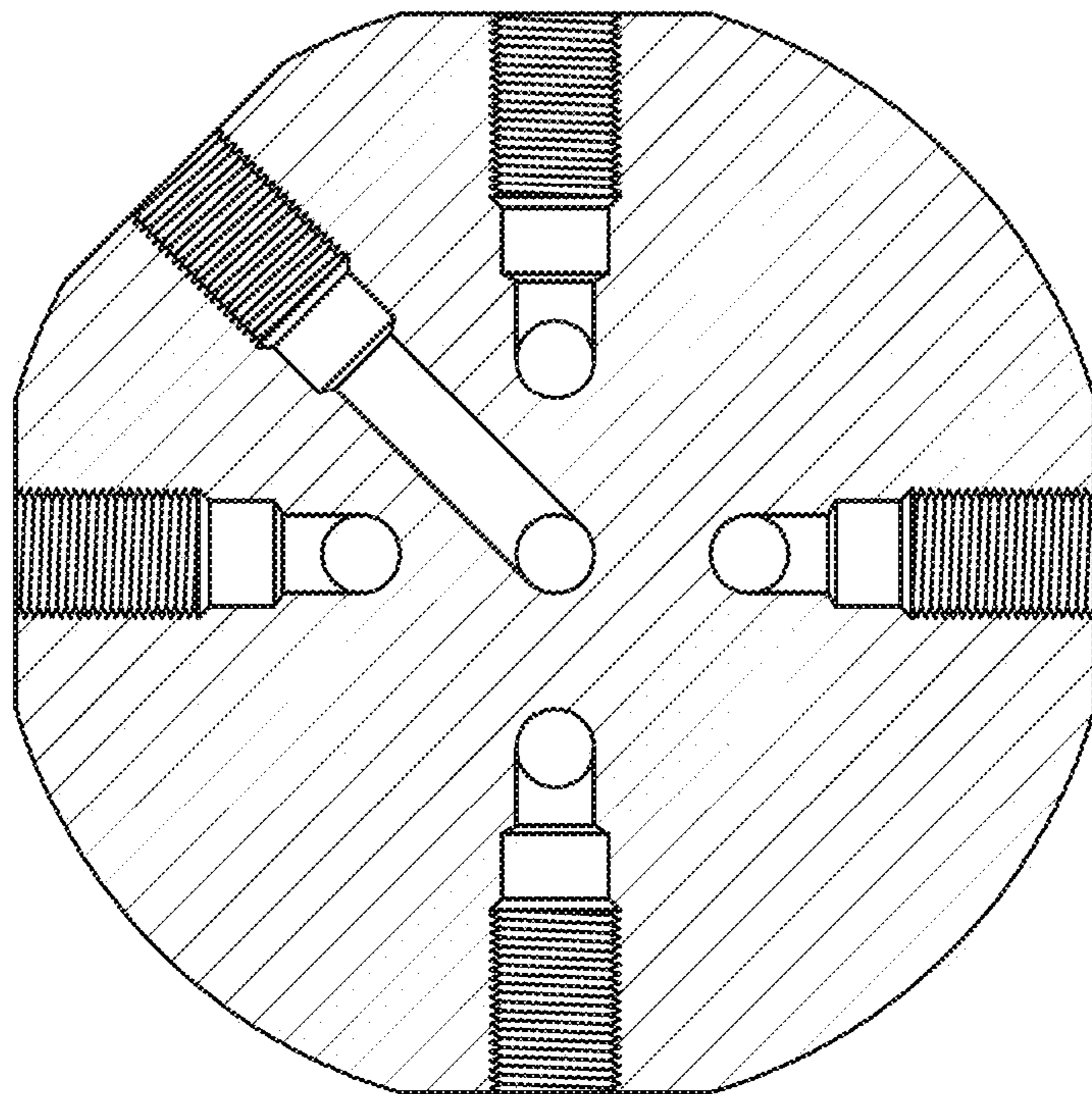


Fig. 8

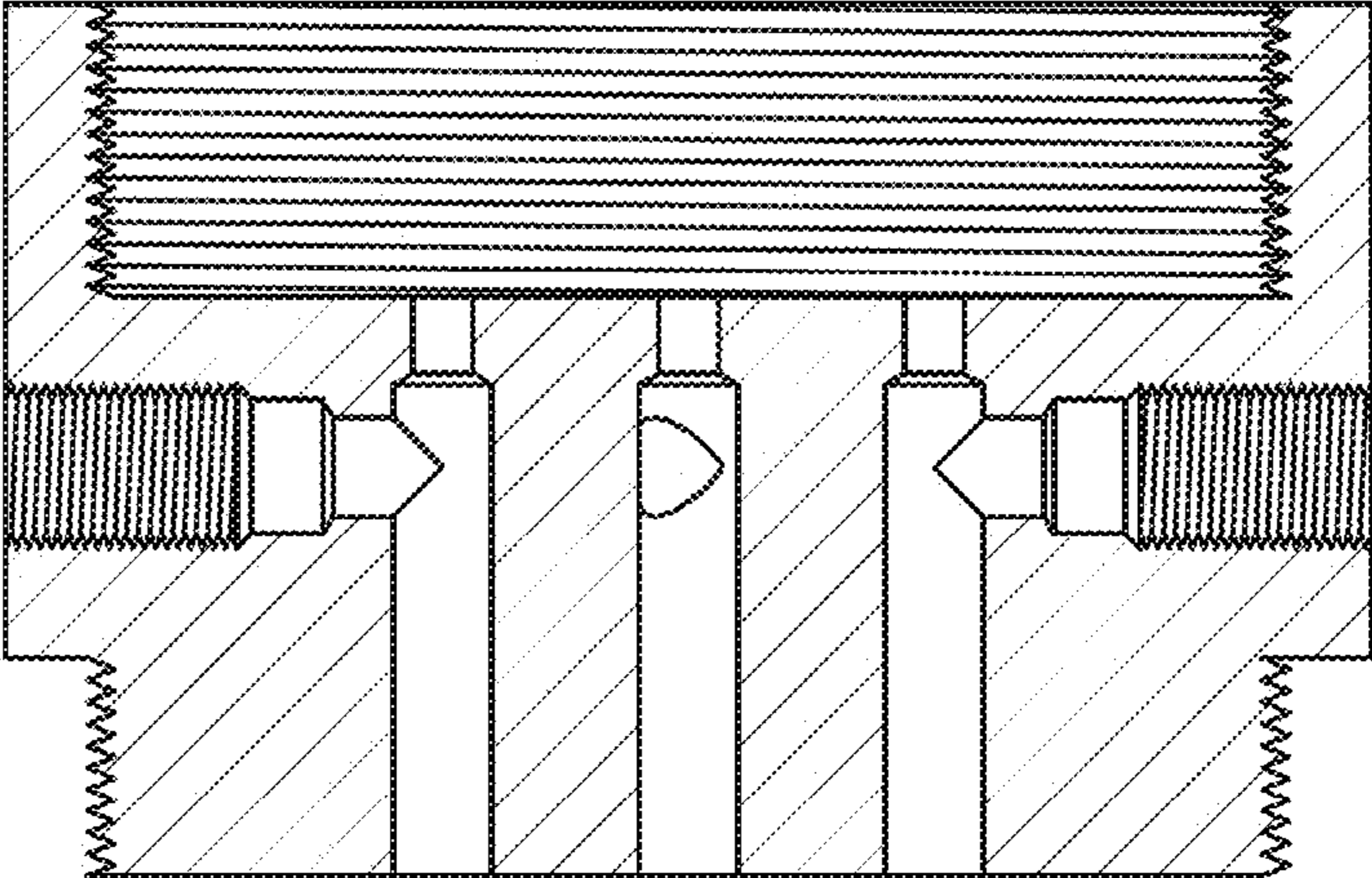


Fig. 9

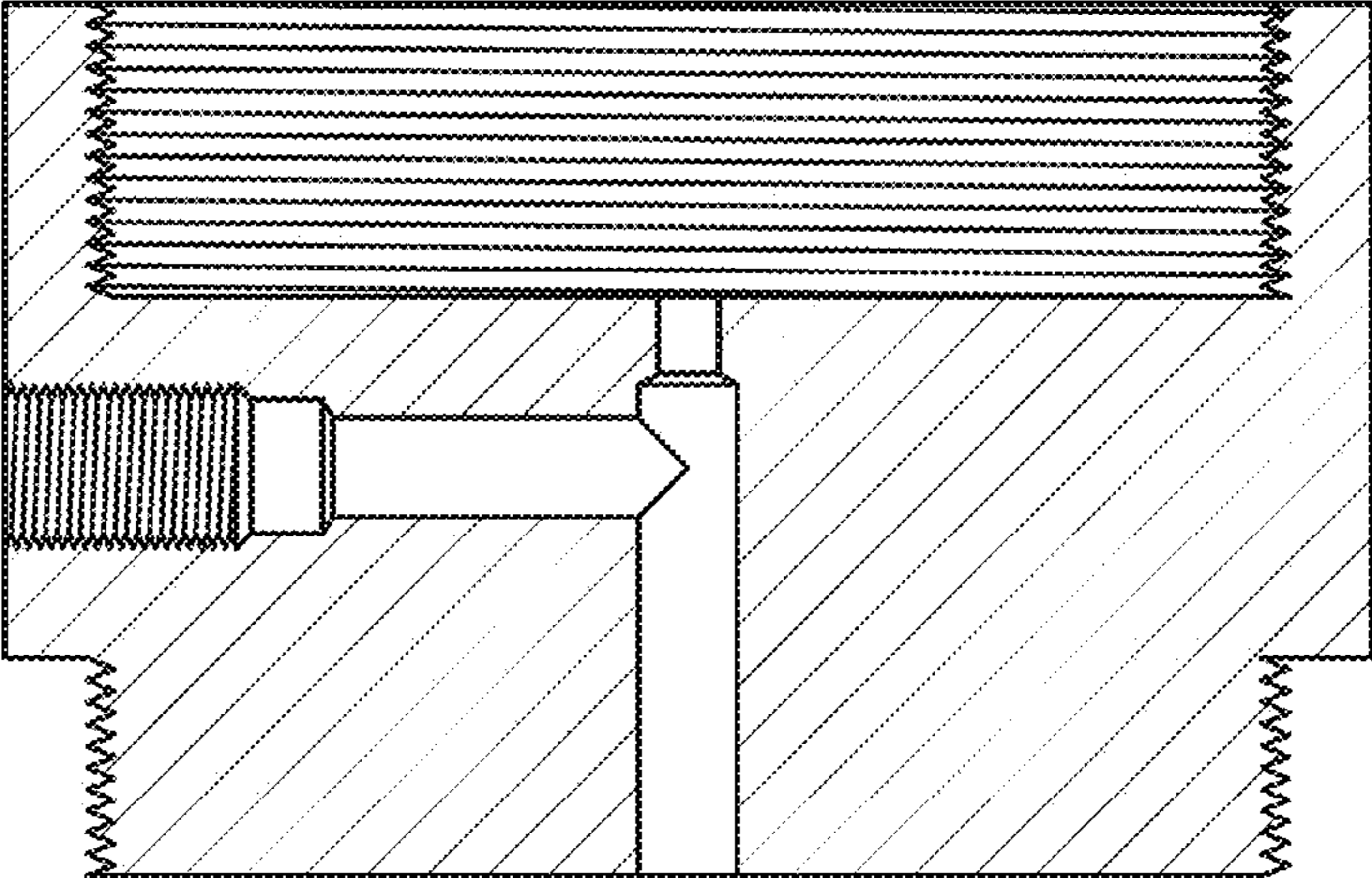


Fig. 10

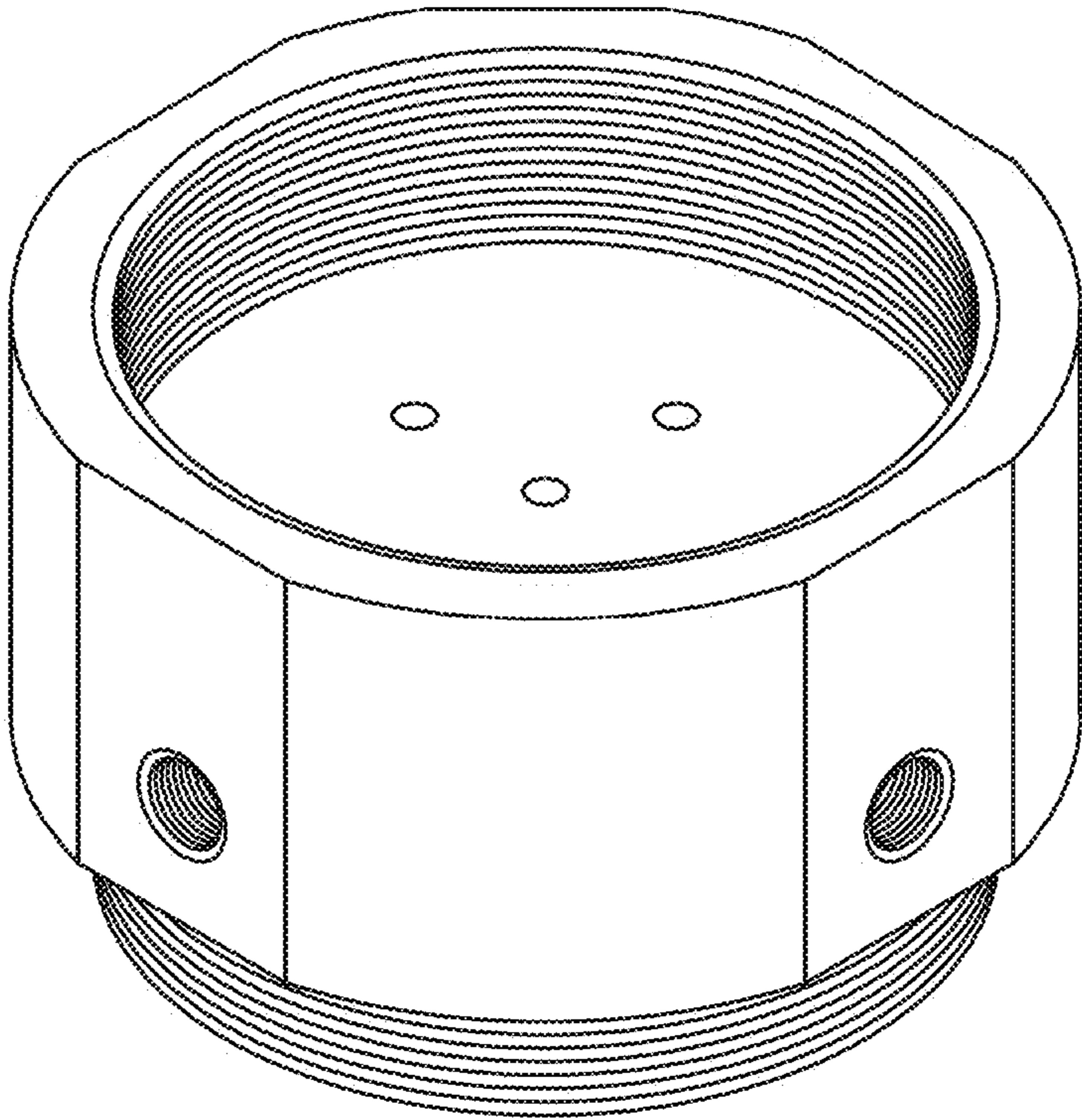


Fig. 11

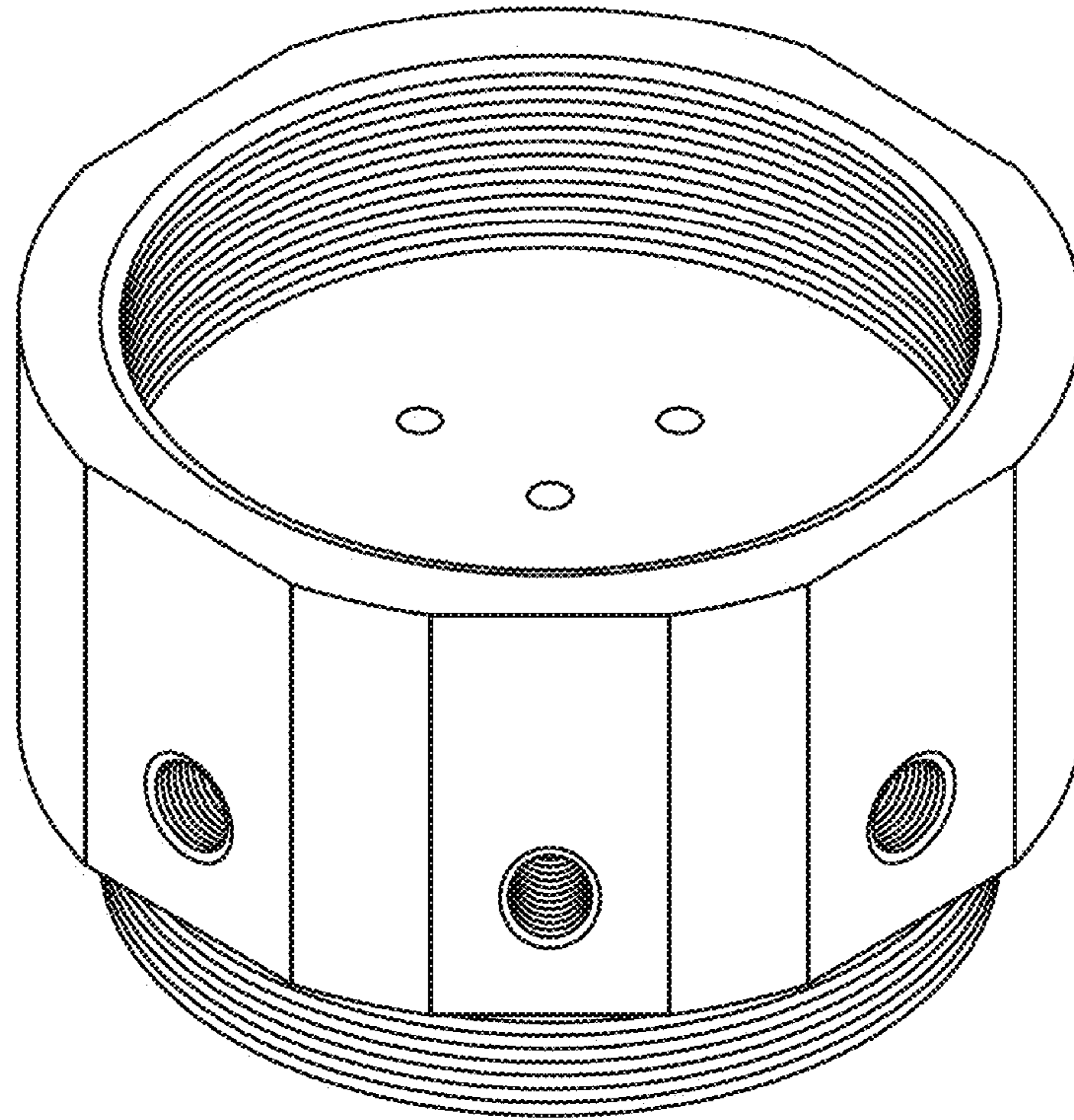


Fig. 12

