



US00D989912S

(12) **United States Design Patent**  
**Carrière**

(10) **Patent No.:** **US D989,912 S**  
(45) **Date of Patent:** **\*\* Jun. 20, 2023**

(54) **SPA SKIMMER**  
(71) Applicant: **CPA POOL PRODUCTS, INC.**,  
Blainville (CA)  
(72) Inventor: **William Carrière**, Pointe-Claire (CA)  
(73) Assignee: **CPA POOL PRODUCTS, INC.**,  
Blainville (CA)  
(\*\*) Term: **15 Years**  
(21) Appl. No.: **29/796,546**  
(22) Filed: **Jun. 24, 2021**  
(51) **LOC (14) Cl.** ..... **07-05**  
(52) **U.S. Cl.**  
USPC ..... **D32/35**  
(58) **Field of Classification Search**  
USPC ..... D22/135; D23/209–210, 261; D32/35;  
D30/162  
CPC ..... A47L 13/08; A47L 17/06; A47L 13/022;  
A47L 1/16; A63F 3/068; B29C 63/0047;  
B60S 3/045; B27G 17/00; B60J 3/0295;  
B25B 13/48; B25G 1/04; B25G 3/26;  
B05C 17/0205; A45B 9/02  
See application file for complete search history.

D557,374 S \* 12/2007 Pecca ..... D23/209  
D598,196 S \* 8/2009 Vreeland ..... D23/261  
D600,324 S \* 9/2009 Vreeland ..... D23/261  
D604,800 S \* 11/2009 Vreeland ..... D23/209  
D628,350 S \* 11/2010 Rossano ..... D32/35  
D638,182 S \* 5/2011 Rossano ..... D32/35  
D638,183 S \* 5/2011 Rossano ..... D32/35  
D672,438 S \* 12/2012 Noel ..... D23/261  
D694,851 S \* 12/2013 Solakian ..... D23/209  
D694,852 S \* 12/2013 Gordon ..... D23/209  
8,679,329 B2 \* 3/2014 Vreeland ..... E03F 5/0404  
210/164  
9,079,128 B2 \* 7/2015 Parcell ..... B01D 29/35

(Continued)

**OTHER PUBLICATIONS**

Life Spa or Hot Tub Scoop Net Skimmer, Apr. 17, 2022, amazon.ca,  
Mar. 7, 2023, URL: <https://www.amazon.ca/Life-Skimmer-Surface-Debris-Cleanup/dp/B09JFN1JYS/> (Year: 2022).\*

*Primary Examiner* — Keith J Wilson  
(74) *Attorney, Agent, or Firm* — Hodgson Russ LLP

(57) **CLAIM**

The ornamental design for a spa skimmer, as shown and described.

**DESCRIPTION**

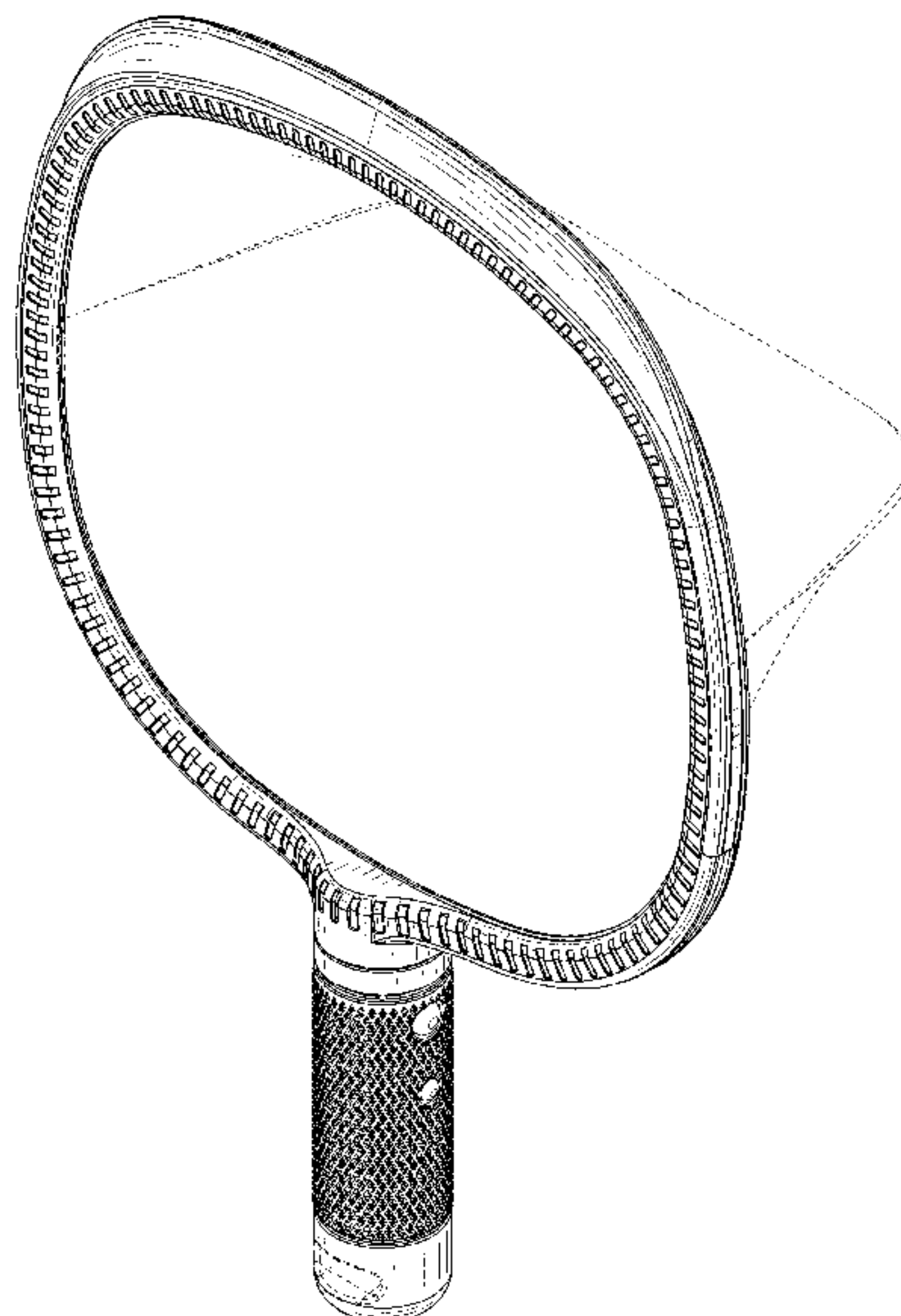
FIG. 1 is a front-top-right perspective view of a spa skimmer showing my new design;  
FIG. 2 is a front-bottom-right perspective view thereof;  
FIG. 3 is a front elevation view thereof;  
FIG. 4 is a right side elevation view thereof;  
FIG. 5 is a left side elevation view thereof;  
FIG. 6 is a top plan view thereof;  
FIG. 7 is a bottom plan view thereof; and,  
FIG. 8 is a detail view taken from area 8 of FIG. 3.  
The broken lines in the figures illustrate portions of the spa skimmer that form no part of the claimed design.

**1 Claim, 8 Drawing Sheets**

(56) **References Cited**

**U.S. PATENT DOCUMENTS**

D255,480 S \* 6/1980 Zieg ..... 210/483  
D302,058 S \* 7/1989 Brooks ..... D32/35  
D316,619 S \* 4/1991 Richarson ..... D32/35  
D330,444 S \* 10/1992 Wall ..... D22/135  
D341,684 S \* 11/1993 Wall ..... D32/35  
D368,135 S \* 3/1996 Vasai ..... D22/135  
D377,249 S \* 1/1997 Granshaw ..... D23/210  
D381,781 S \* 7/1997 Clay ..... D22/135  
D389,895 S \* 1/1998 Belleville ..... D22/134  
D488,602 S \* 4/2004 Pecci ..... D32/35  
D492,825 S \* 7/2004 Pecci ..... D32/35  
D550,805 S \* 9/2007 Hazlehurst ..... D23/209



(56)

**References Cited**

U.S. PATENT DOCUMENTS

D761,498 S *	7/2016	Minter .....	D30/162
D763,520 S *	8/2016	Runyan .....	D30/162
D814,728 S *	4/2018	Duve .....	D32/46
D825,049 S *	8/2018	Miskel .....	D23/388
D827,238 S *	8/2018	Larouche .....	D32/35
D832,540 S *	10/2018	Larouche .....	D32/35
D855,148 S *	7/2019	Xu .....	D22/135
D965,730 S *	10/2022	Huang .....	D22/123
D972,064 S *	12/2022	Zhang .....	D22/124
D973,172 S *	12/2022	Zhang .....	D22/124
D975,235 S *	1/2023	Xu .....	D22/123
D980,565 S *	3/2023	Wang .....	D32/35
D980,566 S *	3/2023	Zeng .....	D32/35

\* cited by examiner

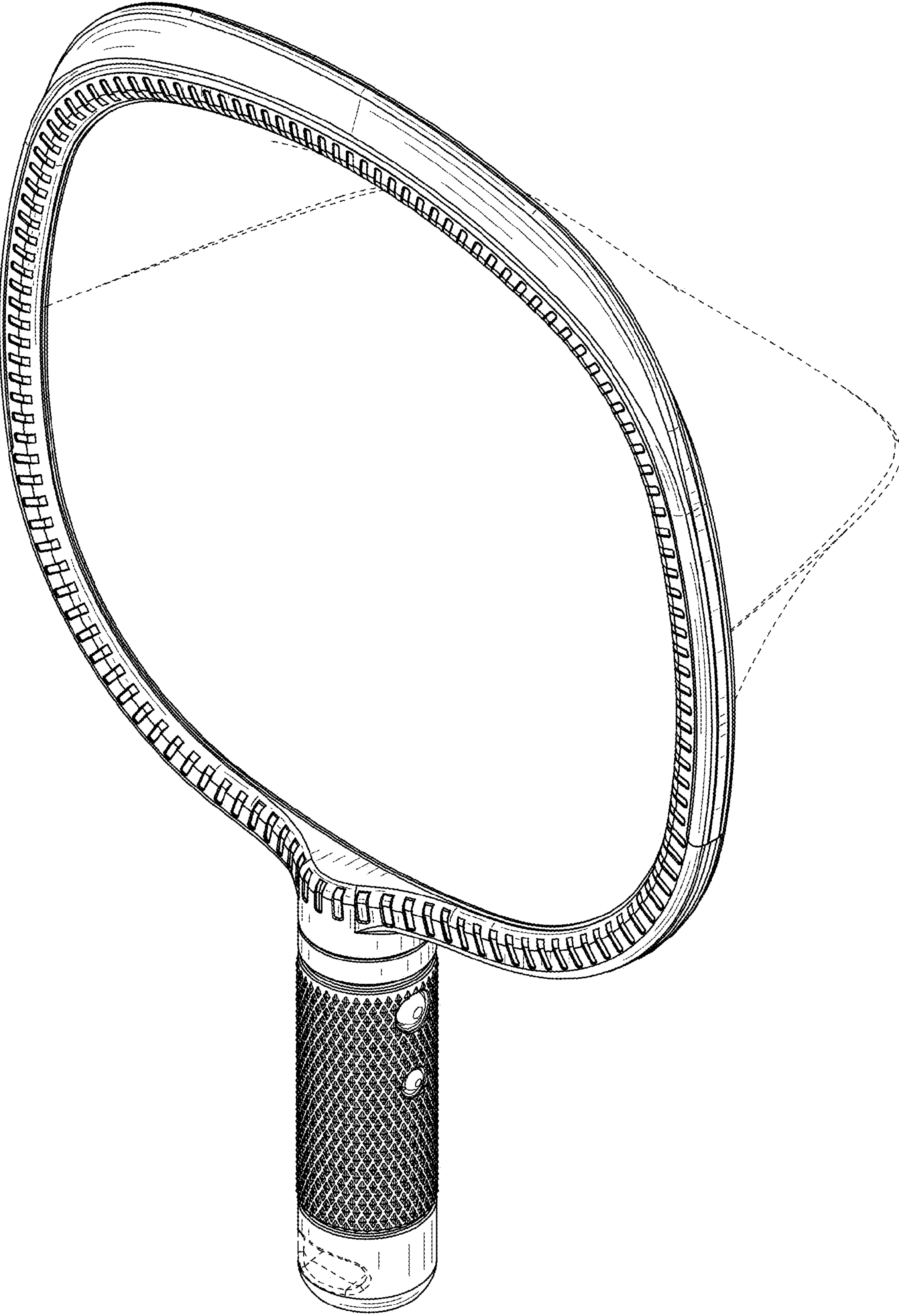


FIG. 1



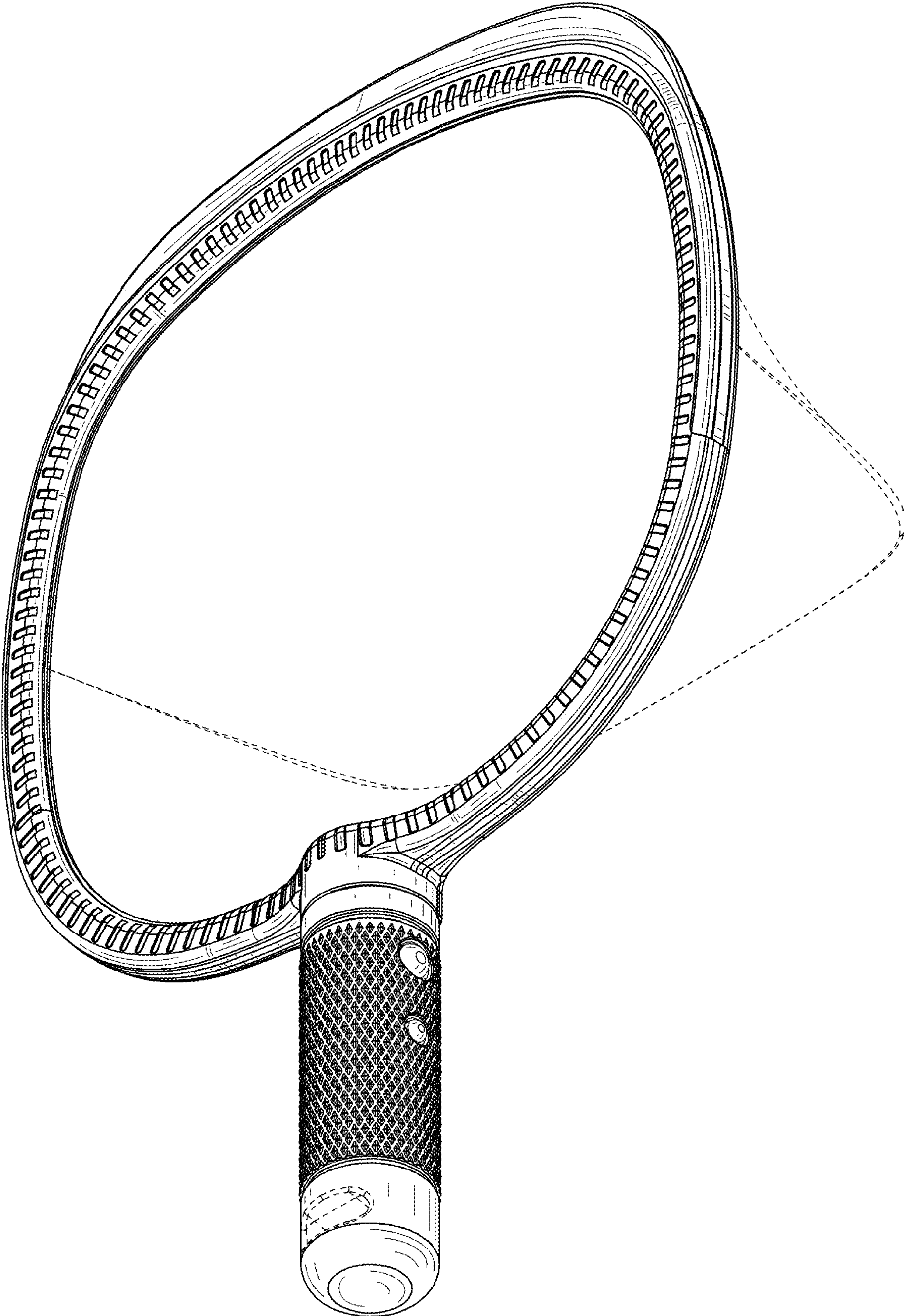


FIG. 2

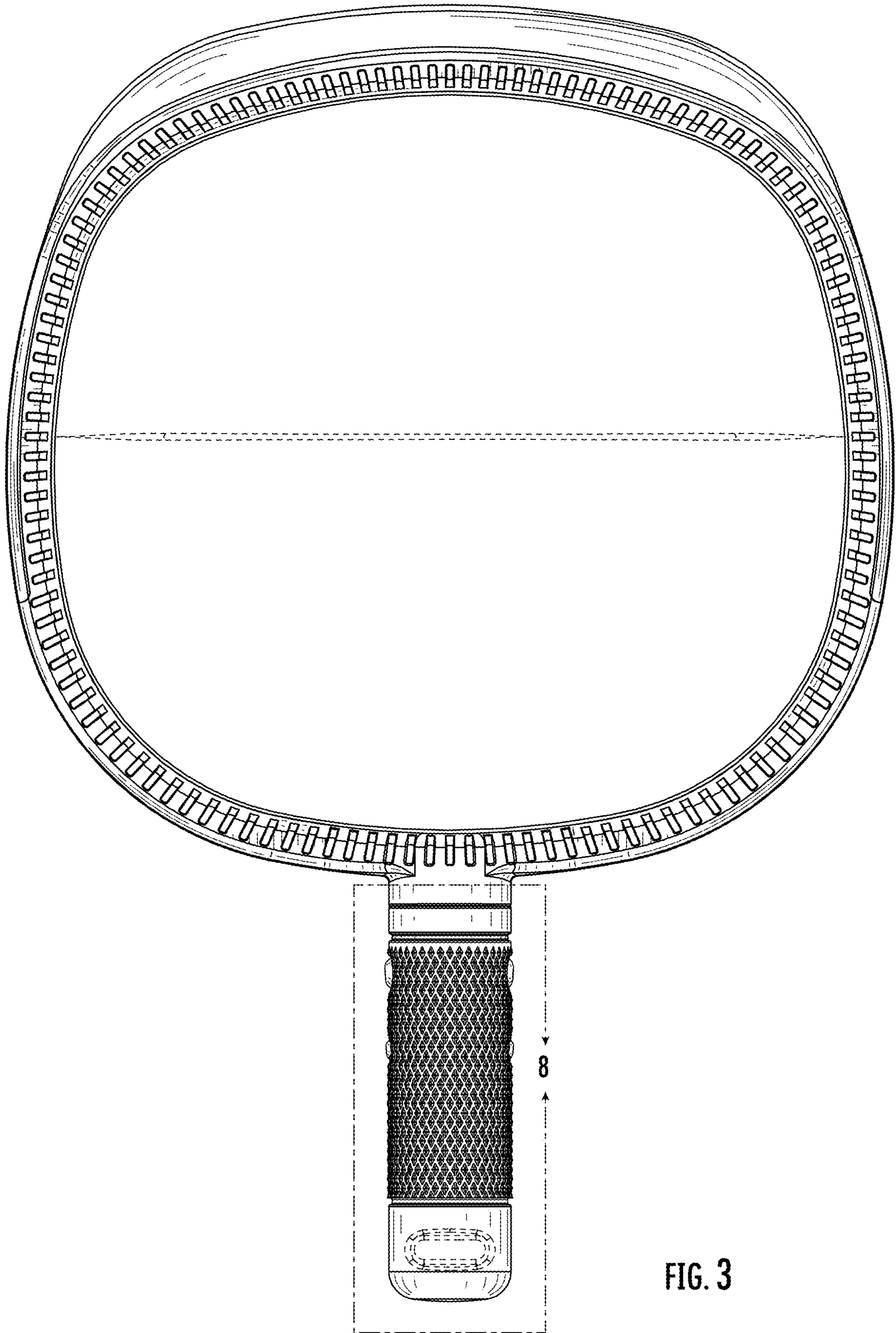


FIG. 3

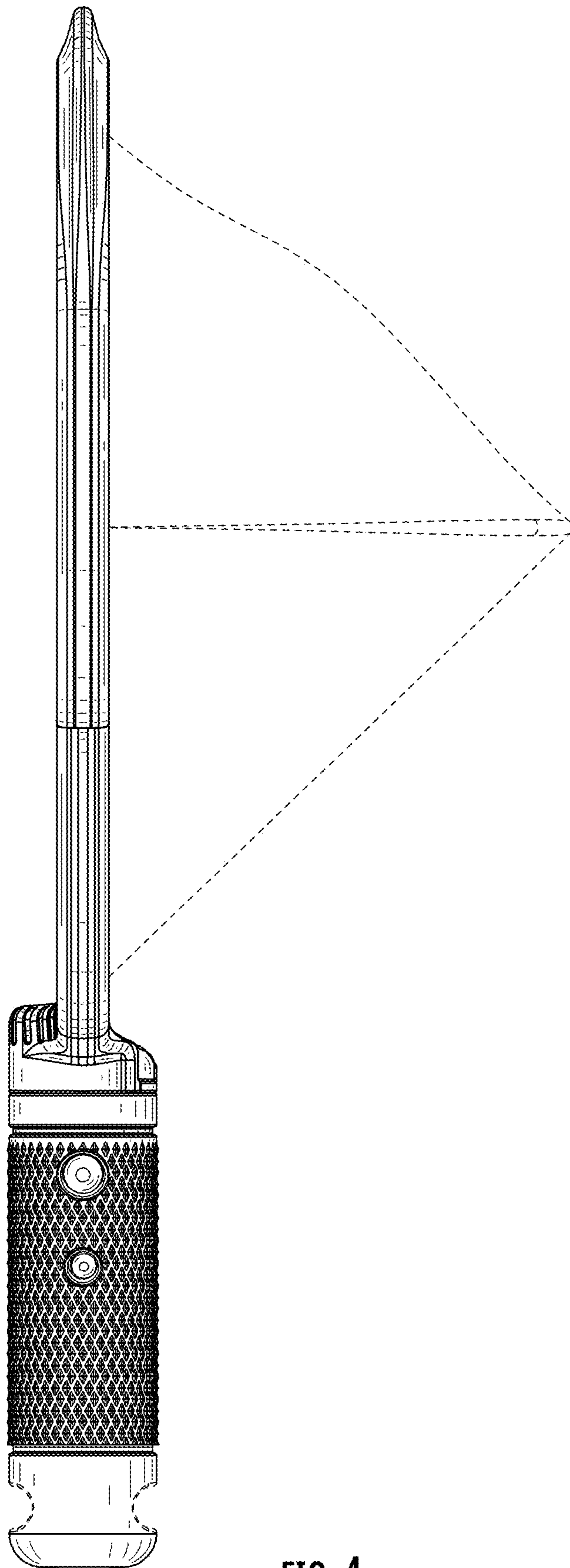


FIG. 4



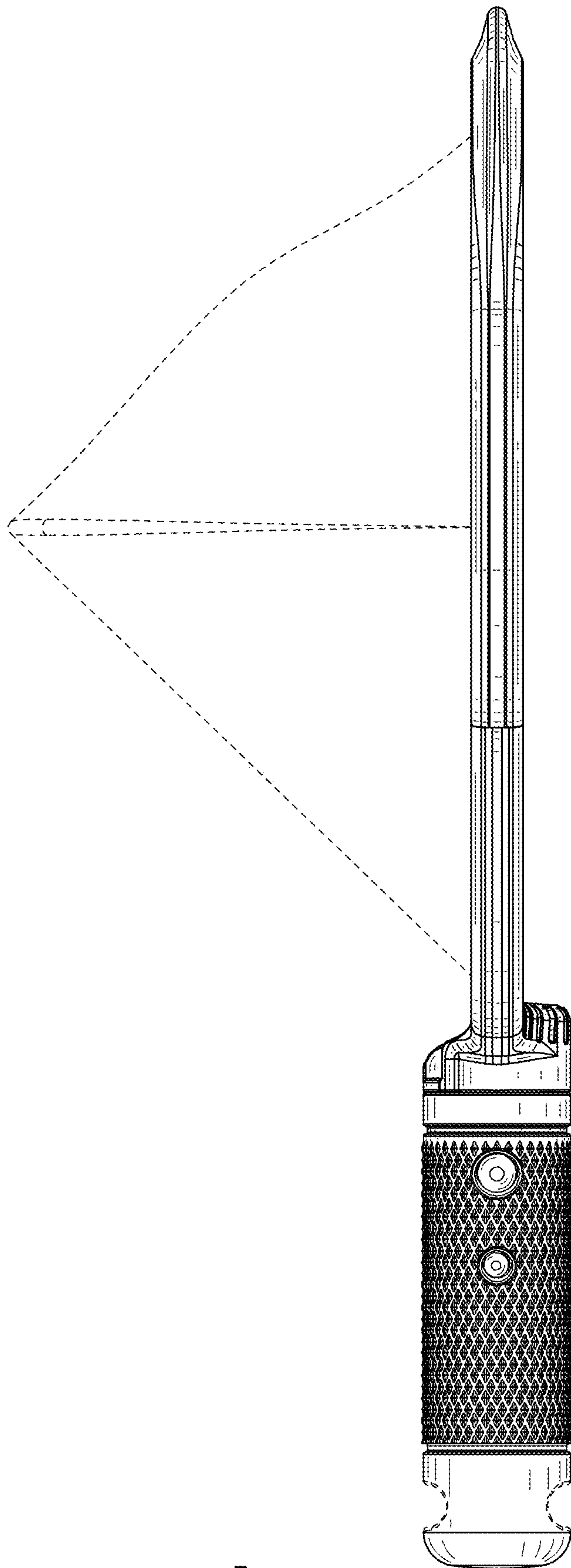


FIG. 5

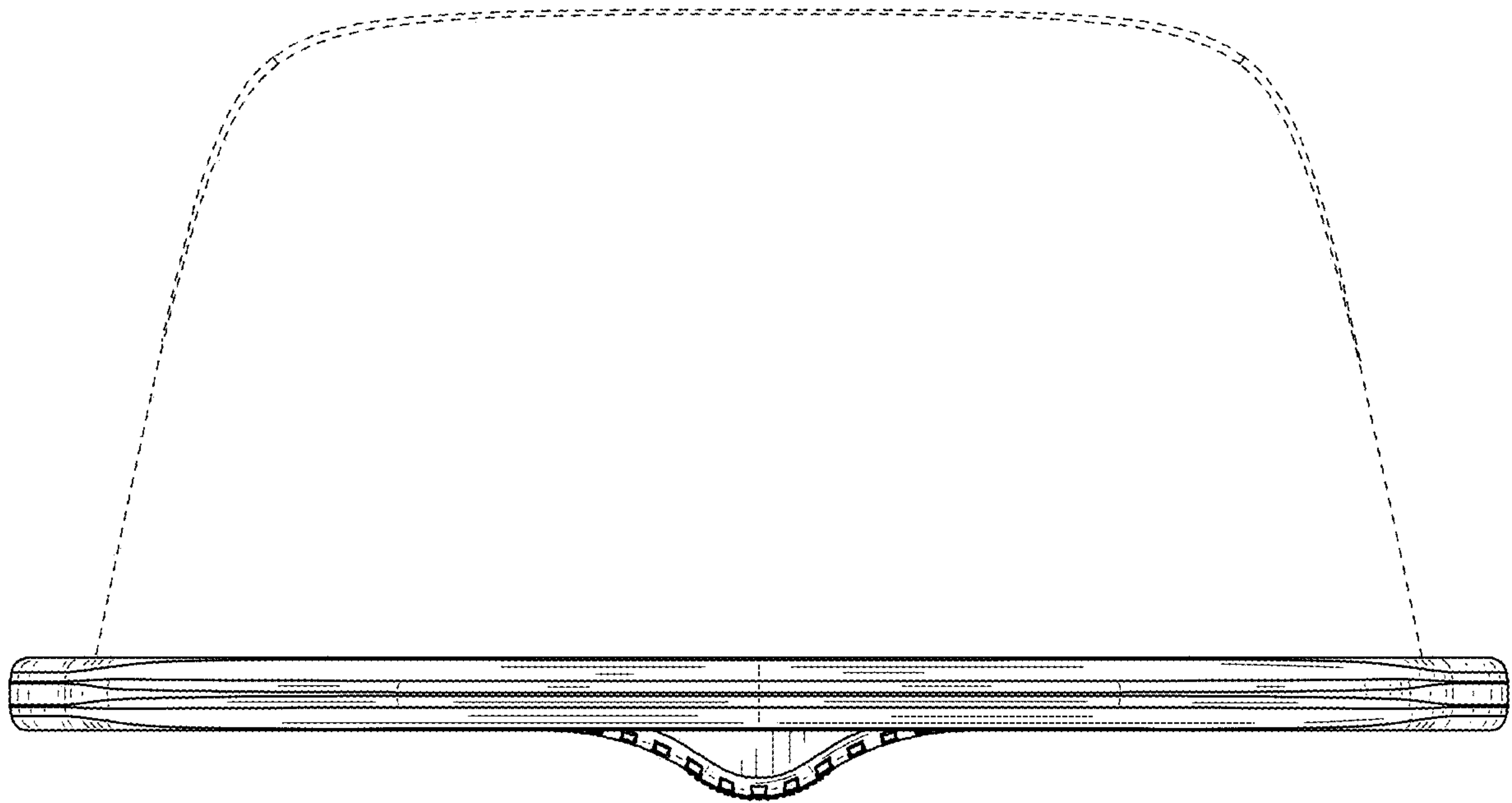


FIG. 6



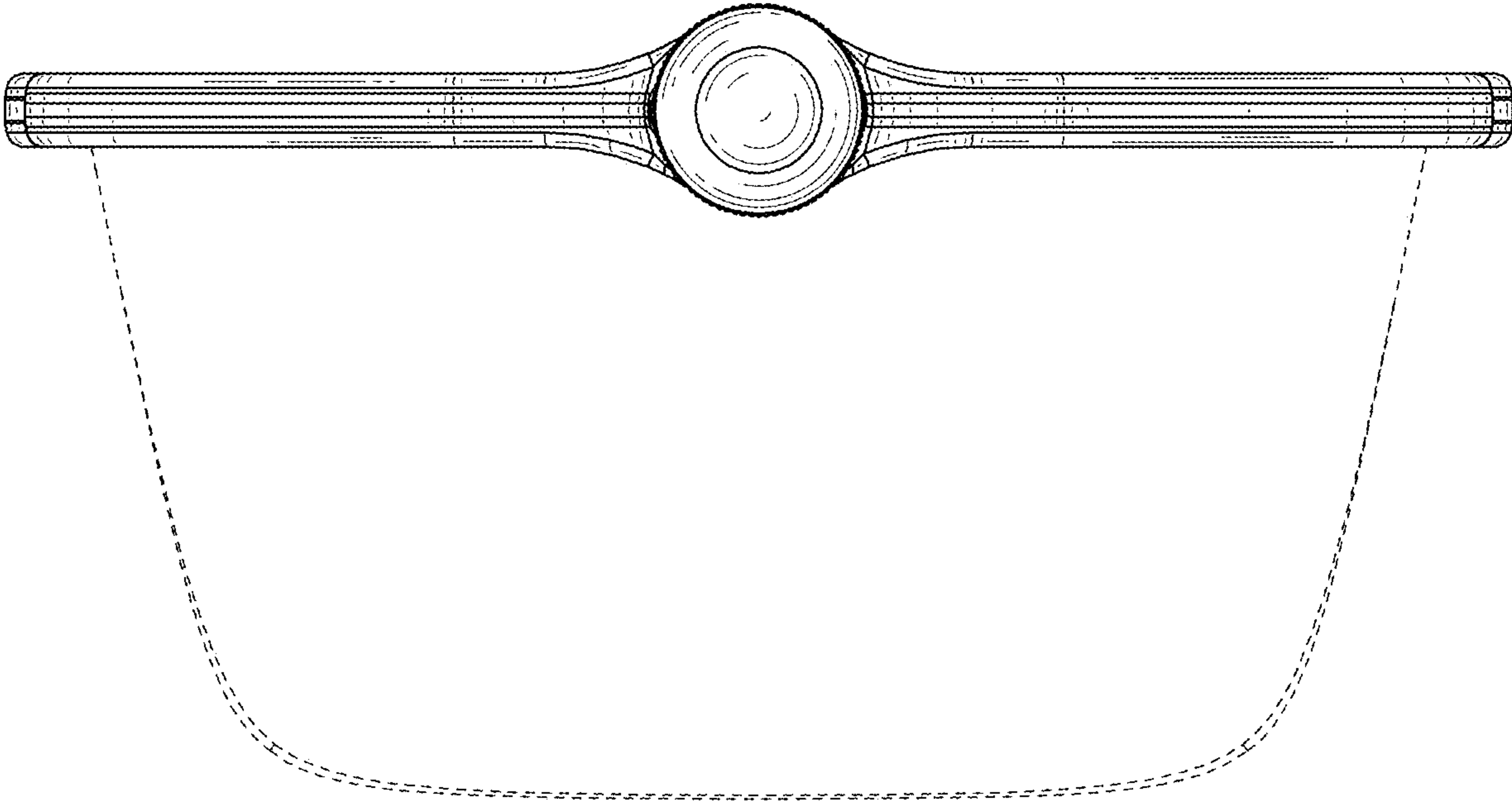


FIG. 7

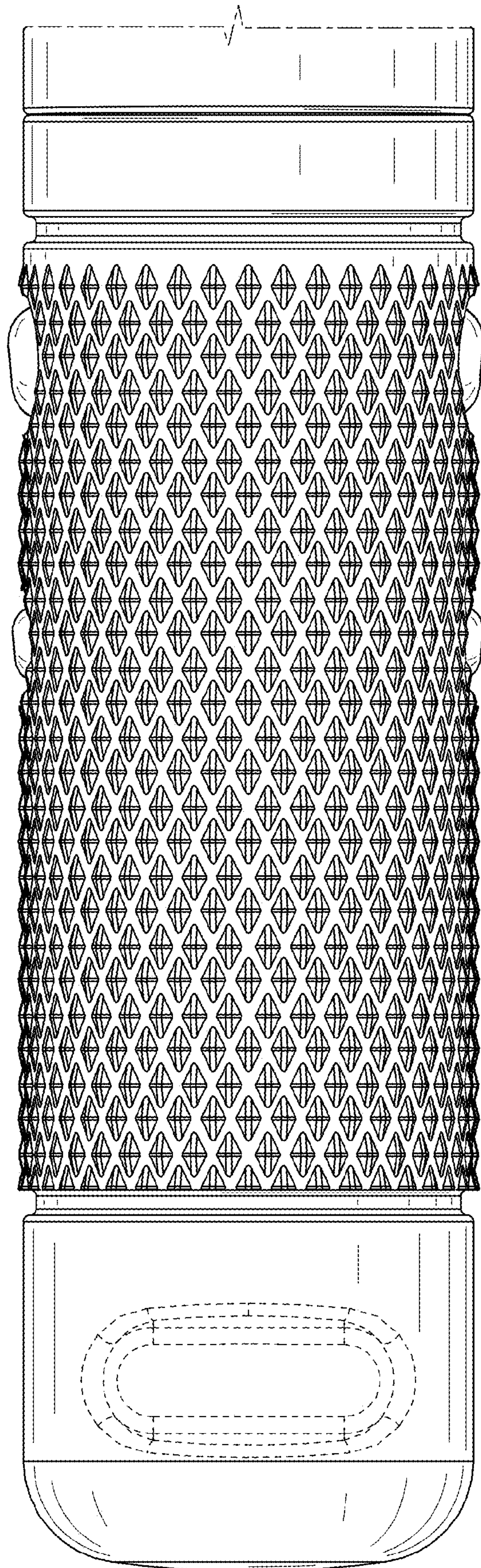


FIG. 8