



US00D989907S

(12) **United States Design Patent**
Ding et al.

(10) **Patent No.:** **US D989,907 S**
(45) **Date of Patent:** **** Jun. 20, 2023**

- (54) **FIREARM MAGAZINE**
- (71) Applicant: **Leapers, Inc.**, Livonia, MI (US)
- (72) Inventors: **Tai-Lai Ding**, Northville, MI (US);
Jacob W. Immonen, Livonia, MI (US)
- (73) Assignee: **Leapers, Inc.**, Livonia, MI (US)
- (**) Term: **15 Years**

- D633,590 S 3/2011 Fitzpatrick et al.
- D644,293 S 8/2011 Fitzpatrick et al.
- D645,113 S 9/2011 Fitzpatrick et al.
- D667,915 S 9/2012 Nakayama et al.
- D680,613 S 4/2013 Fitzpatrick et al.
- D681,151 S 4/2013 Fitzpatrick et al.
- D691,233 S 10/2013 Bennett et al.
- D695,378 S 12/2013 Fitzpatrick et al.

(Continued)

- (21) Appl. No.: **29/781,716**
- (22) Filed: **Apr. 30, 2021**
- (51) **LOC (14) Cl.** **22-01**
- (52) **U.S. Cl.**
USPC **D22/108**
- (58) **Field of Classification Search**
USPC D21/302, 567, 573; D22/108, 109, 199
CPC F41A 9/65; F41A 9/70; F41A 9/71; F41A
9/72; F41A 9/61
See application file for complete search history.

(56) **References Cited**

U.S. PATENT DOCUMENTS

- 4,598,490 A * 7/1986 Savioli F41A 9/70
89/33.1
- 5,507,110 A * 4/1996 Chesnut F41A 9/65
89/34
- D593,635 S * 6/2009 Fitzpatrick D22/108
- D600,303 S * 9/2009 Fitzpatrick D22/108
- D603,911 S * 11/2009 Halmone D21/573
- D614,719 S * 4/2010 Fitzpatrick D22/108
- D614,720 S * 4/2010 Fitzpatrick D22/108
- D615,143 S 5/2010 Fitzpatrick et al.
- D616,057 S 5/2010 Fitzpatrick et al.
- D620,544 S 7/2010 Fitzpatrick et al.
- D620,545 S 7/2010 Fitzpatrick et al.
- 7,798,045 B1 * 9/2010 Fitzpatrick F41A 21/481
89/1.4
- D632,752 S 2/2011 Fitzpatrick et al.
- D633,164 S 2/2011 Fitzpatrick et al.
- D633,589 S 3/2011 Fitzpatrick et al.

OTHER PUBLICATIONS

Introduction to Leapers Polymer Magazines for 9mm Double Stack Glock, YouTube—Leapers Inc. Publication Date: Aug. 29, 2022. Date Accessed: Dec. 27, 2022. Retrieved from YouTube URL: <https://www.youtube.com/watch?v=ujEoIRiZIIQ> (Year: 2022).*

Primary Examiner — S. Bryan Reinholdt, Jr.
Assistant Examiner — Kaitlan Walker

(74) *Attorney, Agent, or Firm* — Warner Norcross + Judd LLP

(57) **CLAIM**

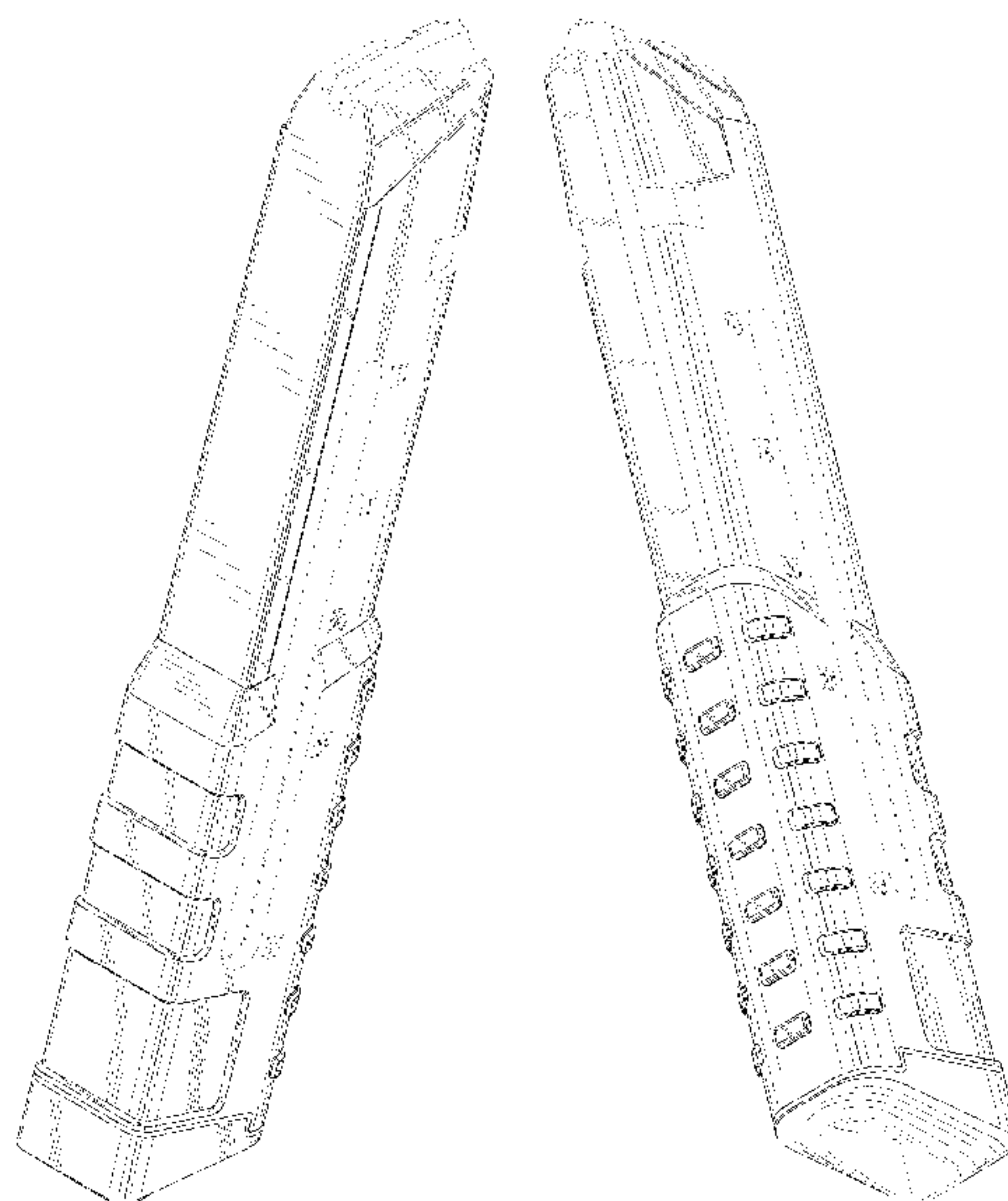
The ornamental design for a firearm magazine, as shown and described.

DESCRIPTION

FIG. 1 is a rear, top, left perspective view of the firearm magazine embodying the new design;
FIG. 2 is a front, bottom, right perspective view thereof;
FIG. 3 is a right side view thereof;
FIG. 4 is a left side view thereof;
FIG. 5 is a front view thereof;
FIG. 6 is a rear view thereof;
FIG. 7 is a top view thereof; and,
FIG. 8 is a bottom view thereof.

The broken lines in FIGS. 1-8 and the areas within them form no part of the claimed design. The broken lines immediately adjacent to shaded portions depict the boundaries of the claim and form no part thereof.

1 Claim, 6 Drawing Sheets



(56)

References Cited

U.S. PATENT DOCUMENTS

D712,500 S 9/2014 Nakayama et al.
8,887,428 B1* 11/2014 Lemoine F41A 9/63
42/49.02
9,097,480 B2* 8/2015 Keng F41A 23/08
D757,884 S 5/2016 Kielsmeier et al.
D765,812 S 9/2016 Kielsmeier et al.
D765,813 S 9/2016 Roberts et al.
D804,603 S 12/2017 Kielsmeier et al.
D810,223 S 2/2018 Kielsmeier et al.
D853,520 S* 7/2019 Cheng D22/108
D869,595 S* 12/2019 Cheng D22/108
10,852,086 B1* 12/2020 Hillis F41A 9/71
11,125,517 B2* 9/2021 Shreve F41A 9/65
2010/0251590 A1* 10/2010 Fitzpatrick F41A 9/65
42/50
2011/0277366 A1* 11/2011 Steffes F41A 9/65
42/50

* cited by examiner

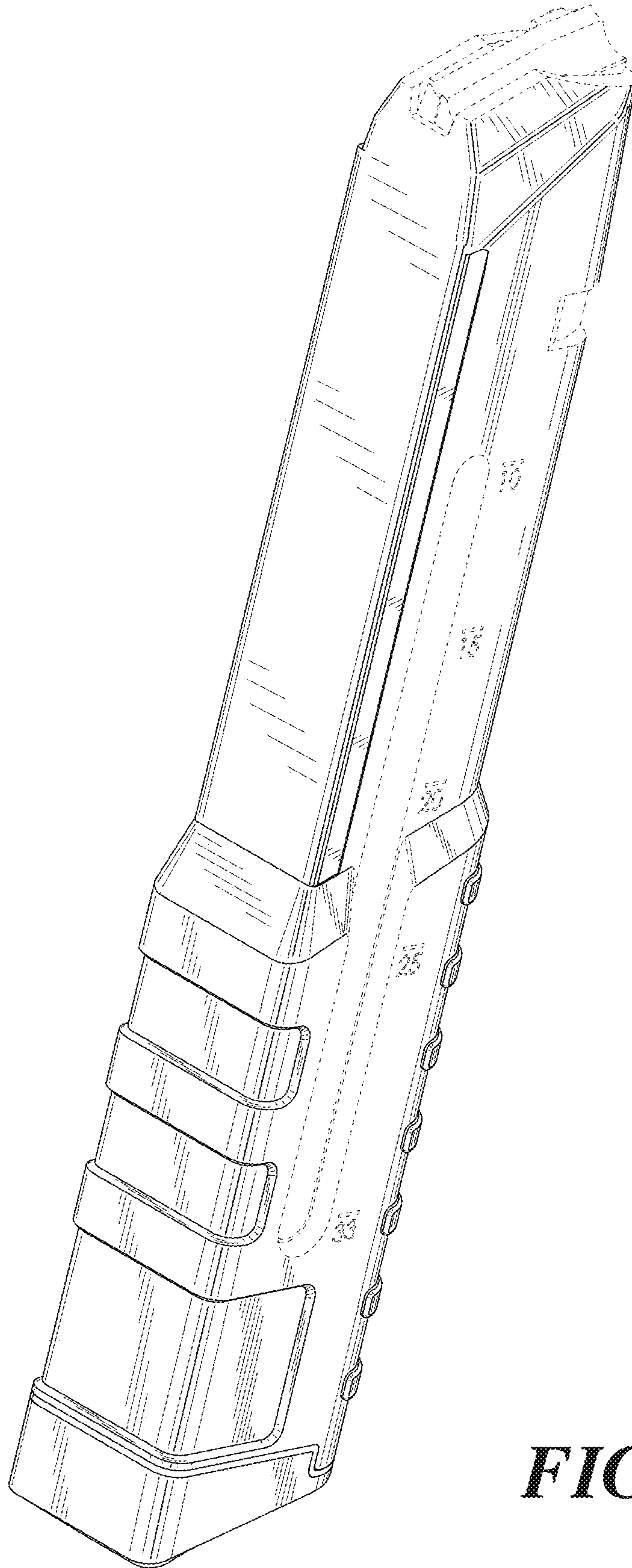


FIG. 1

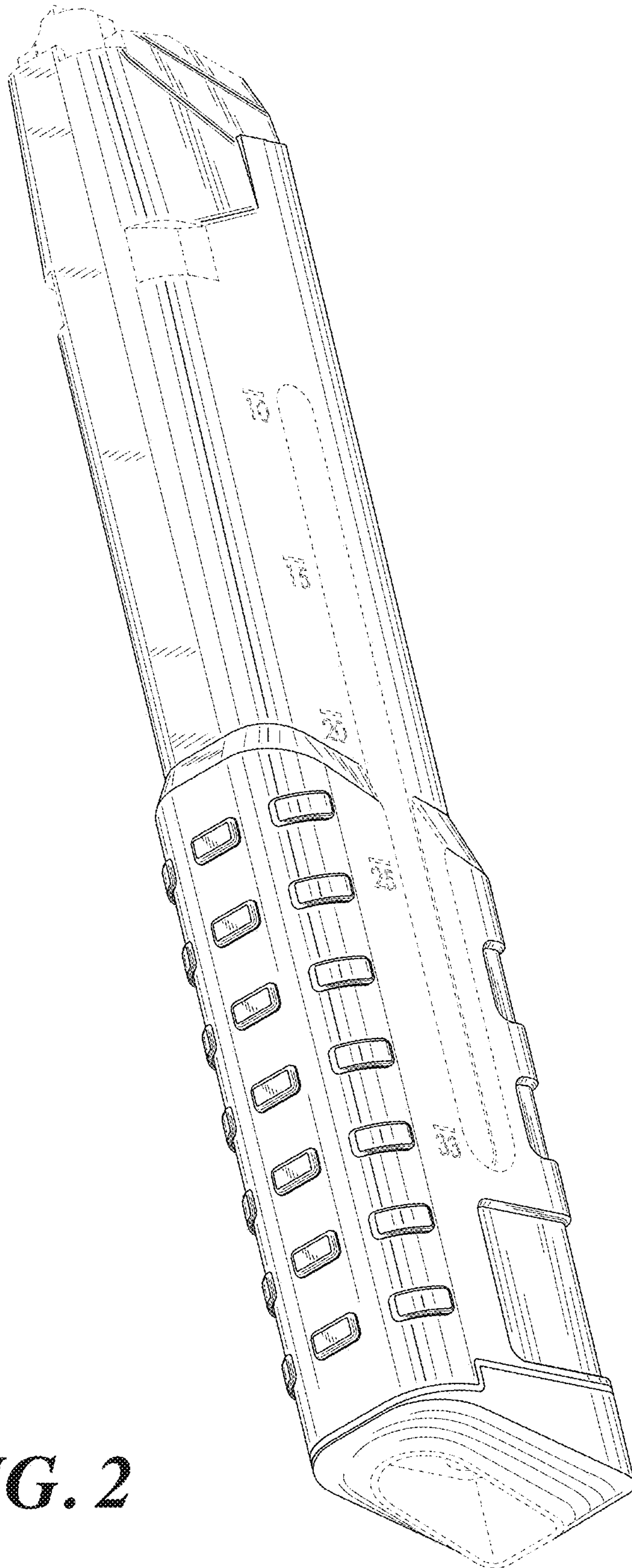


FIG. 2

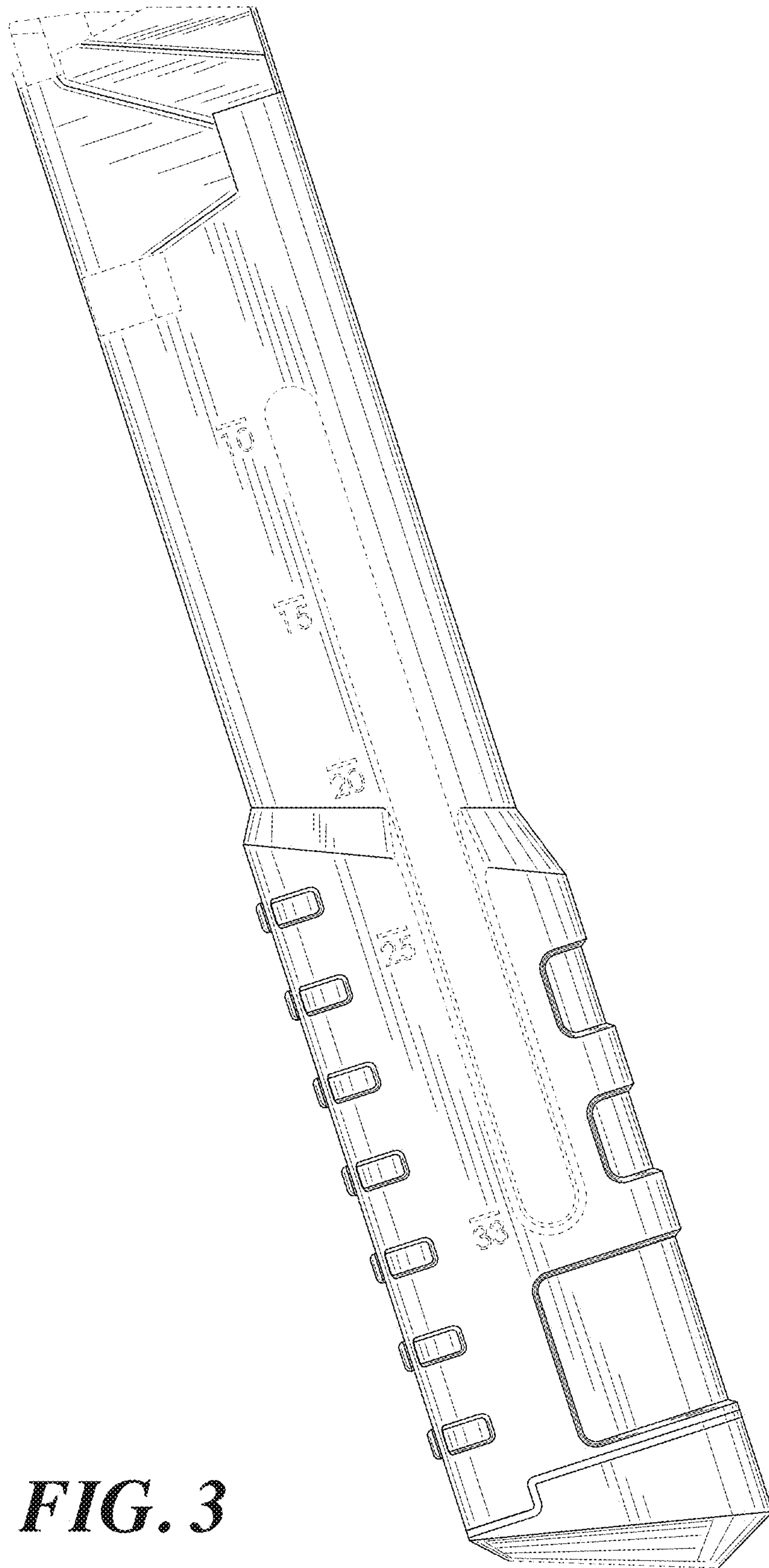


FIG. 3

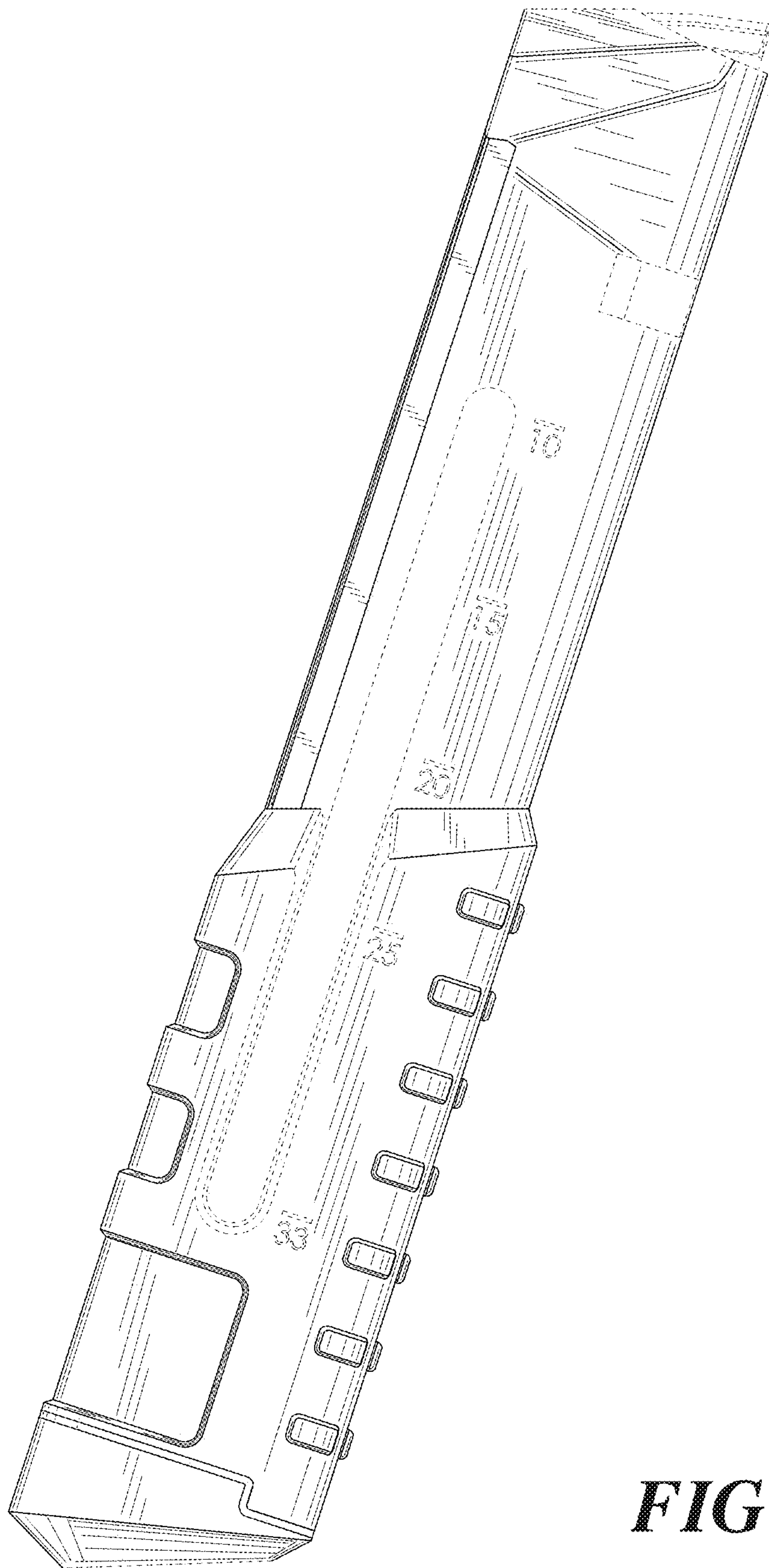


FIG. 4

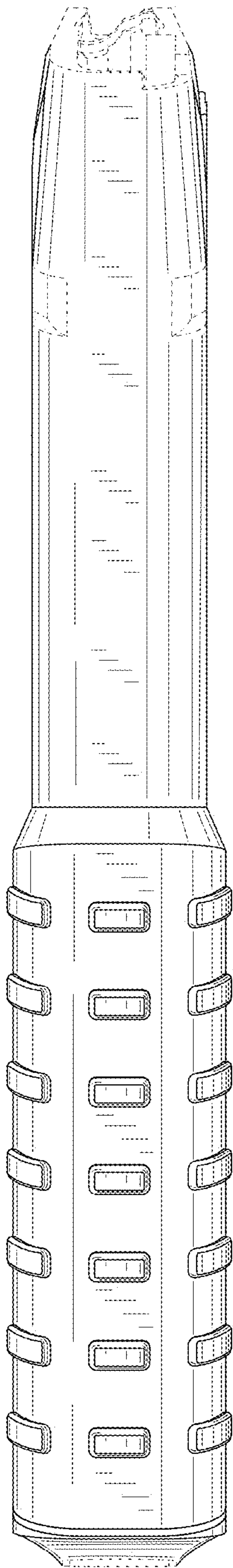


FIG. 5

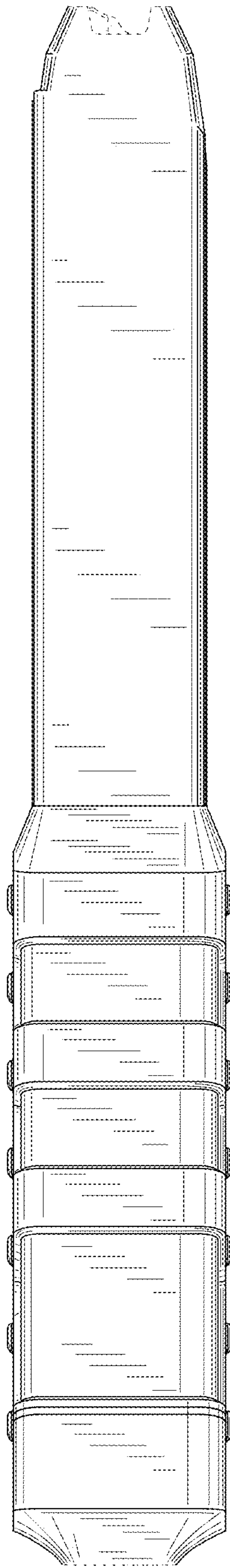


FIG. 6

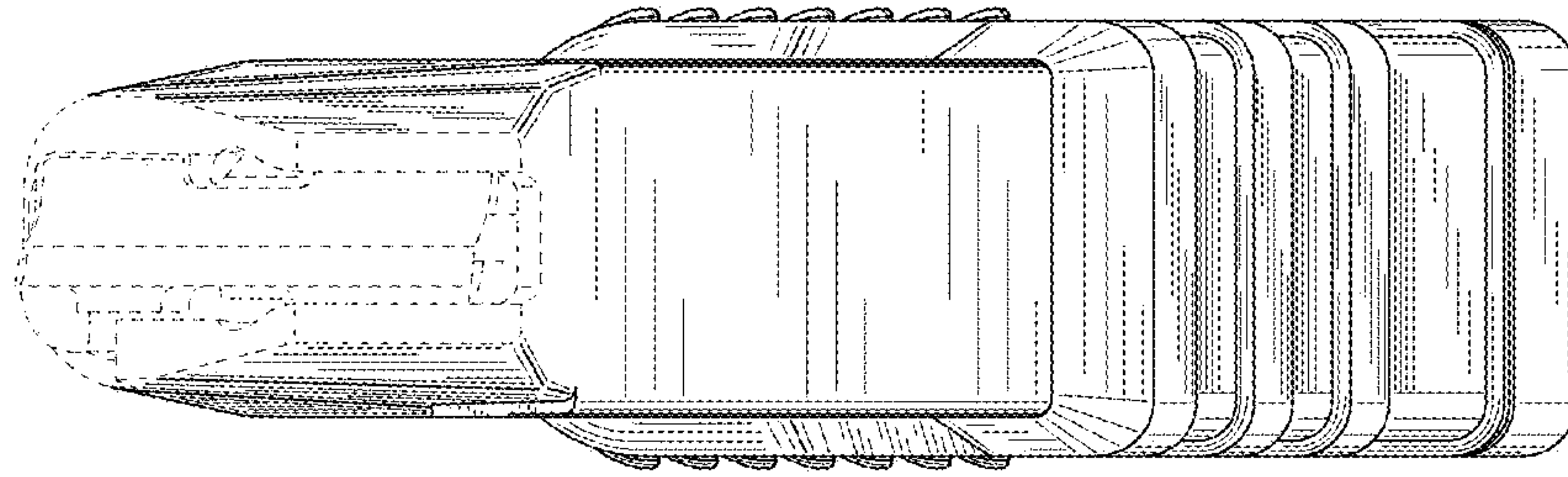


FIG. 7

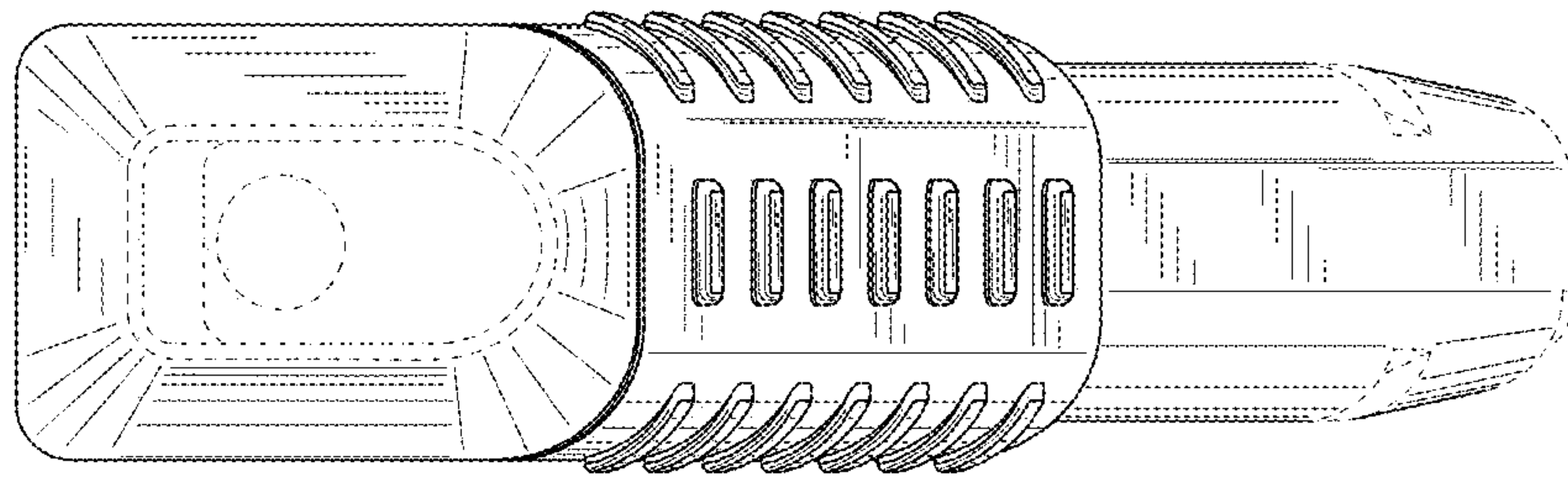


FIG. 8