



US00D989906S

(12) **United States Design Patent**
Knirr

(10) **Patent No.:** **US D989,906 S**
(45) **Date of Patent:** **** Jun. 20, 2023**

(54) **SWIVEL MOUNT SLING ADAPTER**

(71) Applicant: **Aaron Knirr**, Austin, TX (US)

(72) Inventor: **Aaron Knirr**, Austin, TX (US)

(**) Term: **15 Years**

(21) Appl. No.: **29/738,879**

(22) Filed: **Jun. 19, 2020**

(51) **LOC (14) Cl.** **22-01**

(52) **U.S. Cl.**
USPC **D22/108**

(58) **Field of Classification Search**
USPC D3/214, 215, 221, 262; D21/694;
D22/103, 108, 109, 199

CPC F41C 23/02; F41C 33/002; F41C 33/006;
F41C 33/007

See application file for complete search history.

(56) **References Cited**

U.S. PATENT DOCUMENTS

6,598,330	B2 *	7/2003	Garrett	F41C 23/02 24/2.5
8,544,153	B2 *	10/2013	Mayberry	F41C 23/02 24/2.5
9,557,138	B2 *	1/2017	Alford	F41C 33/002
9,610,917	B2 *	4/2017	Fleming	B60R 22/02
9,746,284	B2 *	8/2017	McCarthy	F41C 33/002
11,185,134	B2 *	11/2021	Cowdery	A44B 19/262
2010/0206921	A1 *	8/2010	Shen	F41C 33/002 224/150
2010/0287808	A1 *	11/2010	King	F41C 23/02 42/85
2011/0186603	A1 *	8/2011	Alford	F41C 33/002 224/150
2014/0203053	A1 *	7/2014	Rivas-Schlanger	F41C 23/02 224/150
2014/0263489	A1 *	9/2014	Hendricks	F41C 33/002 29/401.1
2015/0292834	A1 *	10/2015	McCarthy	F41C 33/002 224/150
2015/0292835	A1 *	10/2015	McCarthy	F16B 45/02 24/599.6
2017/0191793	A1 *	7/2017	McLean	F41C 33/002

OTHER PUBLICATIONS

Amazon, Online Product Page. Earliest Review Date: Feb. 9, 2021. Date Accessed: Jan. 24, 2021. Retrieved from Internet URL: https://www.amazon.com/Ten-Point-Gear-Adapter-Suitable/dp/B08GPD9ZXX/ref=sr_1_4?qid=1674589042&sr=8-4&srs=14129893011&th=1 (Year: 2021).*

* cited by examiner

Primary Examiner — S. Bryan Reinholdt, Jr.

Assistant Examiner — Kaitlan Walker

(74) *Attorney, Agent, or Firm* — Quickpatents, LLC; Kevin Prince

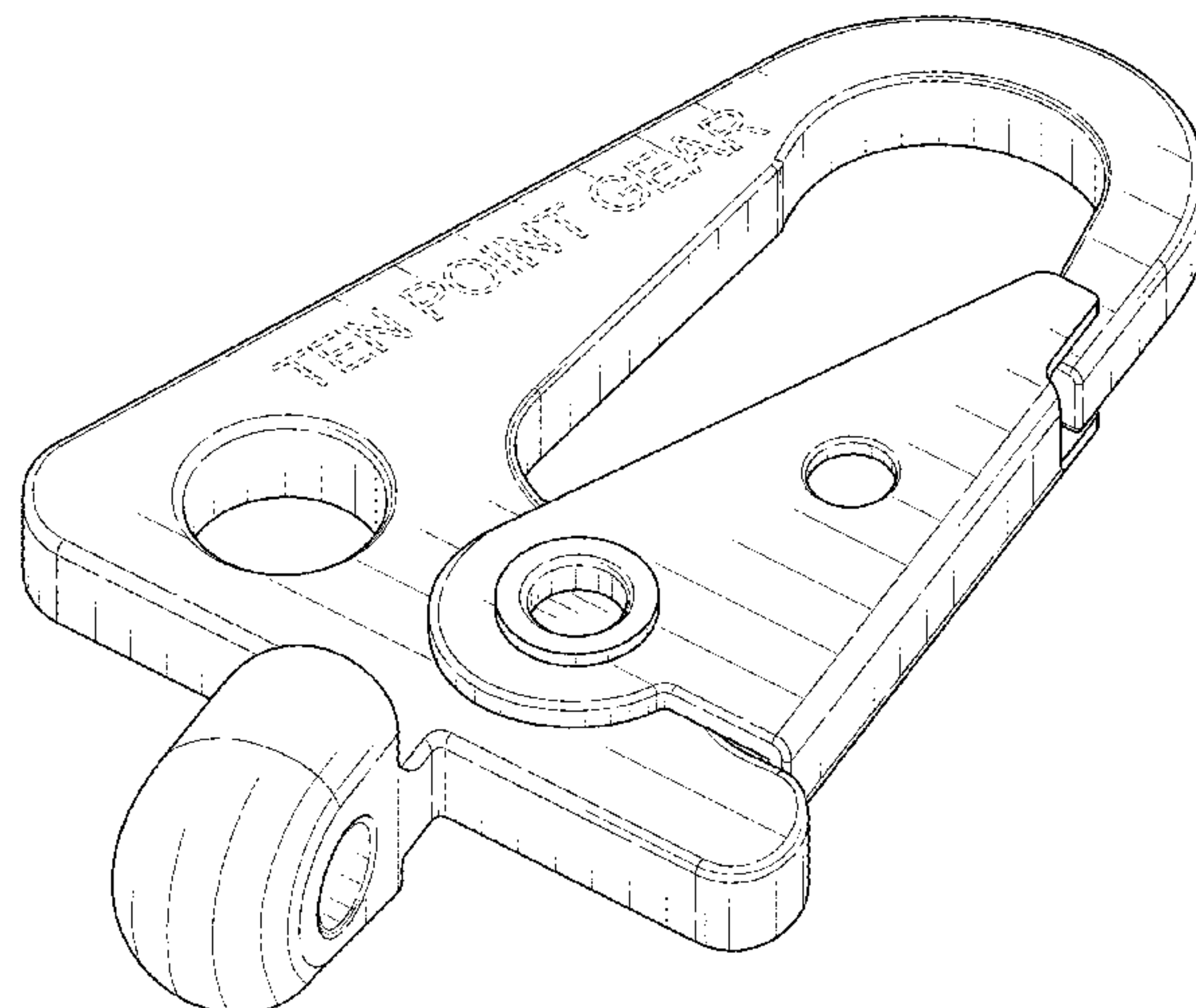
(57) **CLAIM**

The ornamental design for a swivel mount sling adapter, as shown and described.

DESCRIPTION

FIG. 1 is a perspective view of a swivel mount sling adapter shown in a use configuration with environment, showing my new design; FIG. 2 is an enlarged perspective view thereof; FIG. 3 is a front elevational view thereof; FIG. 4 is a rear elevational view thereof; FIG. 5 is a left-side elevational view thereof; FIG. 6 is a right-side elevational view thereof; FIG. 7 is a top plan view thereof; and, FIG. 8 is a bottom plan view thereof. The evenly spaced broken lines in FIG. 1 depict environment of a firearm and a sling that forms no part of the claimed design. The evenly spaced broken lines in FIGS. 1, 2, and 3 depict portions of the swivel mount sling adapter that form no part of the claimed design. The dot-dash-dot broken lines in FIG. 1 depict the boundaries of the environment that form no part of the claimed design.

1 Claim, 6 Drawing Sheets



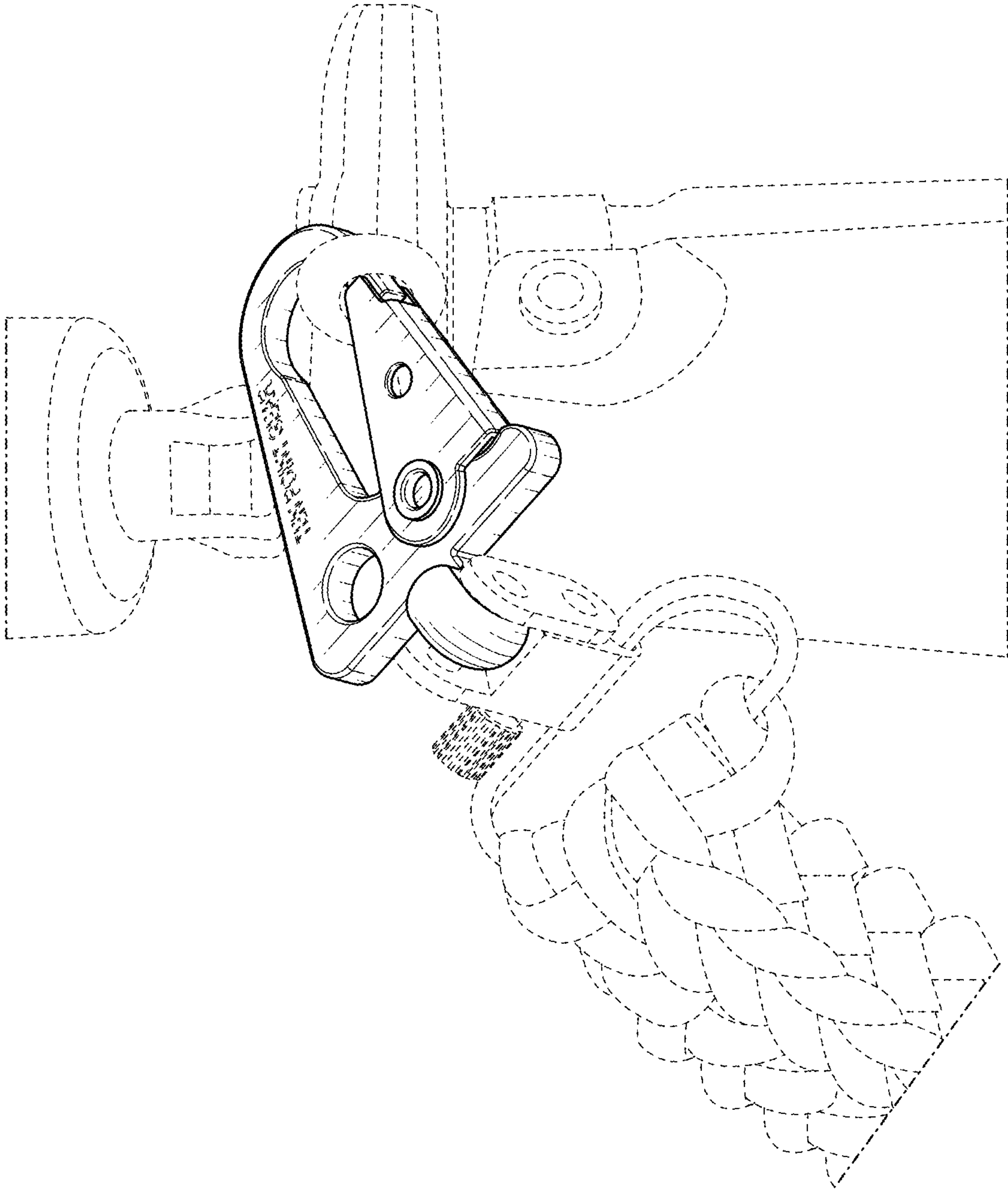


FIG. 1

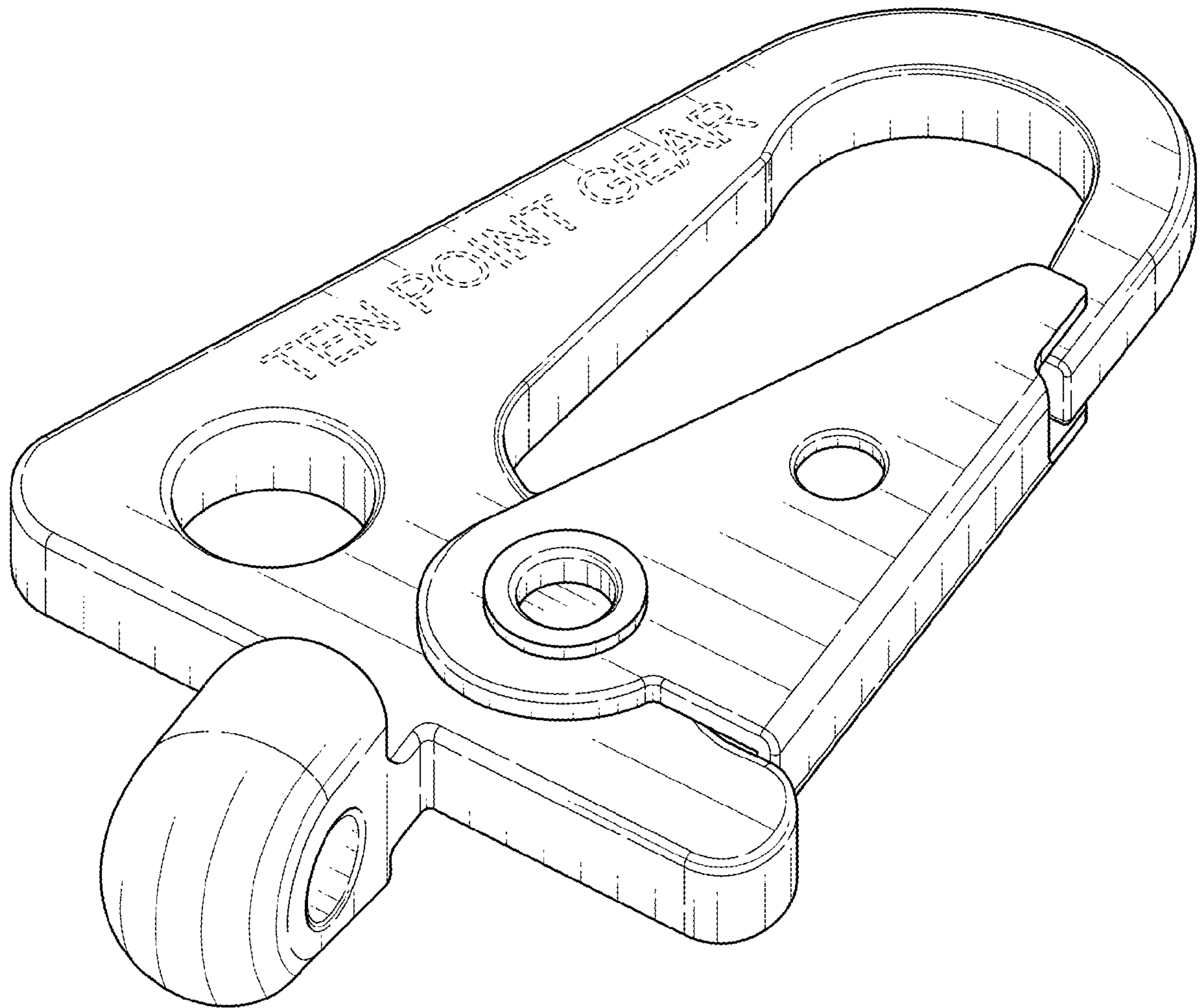


FIG. 2

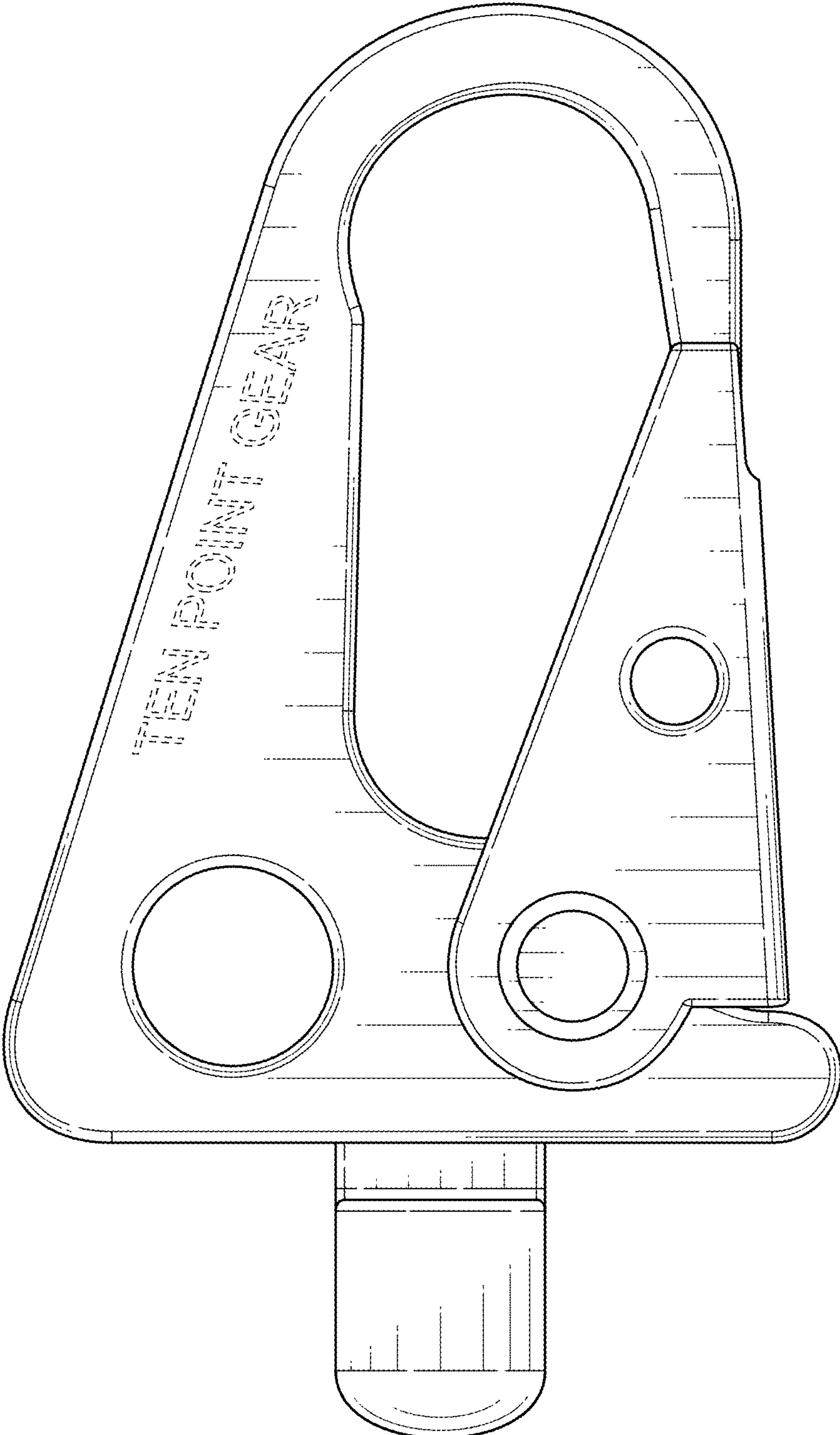


FIG. 3

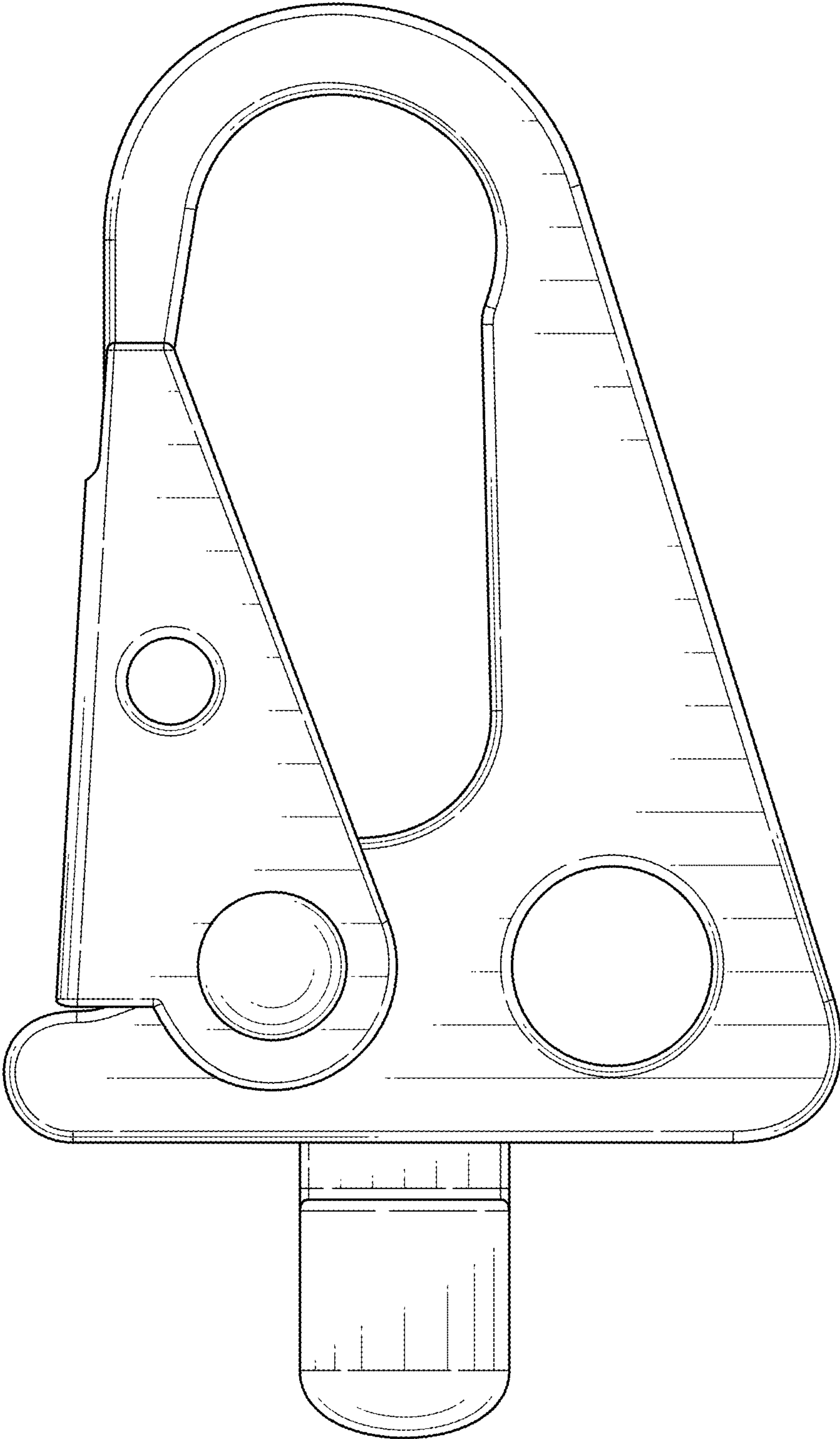


FIG. 4

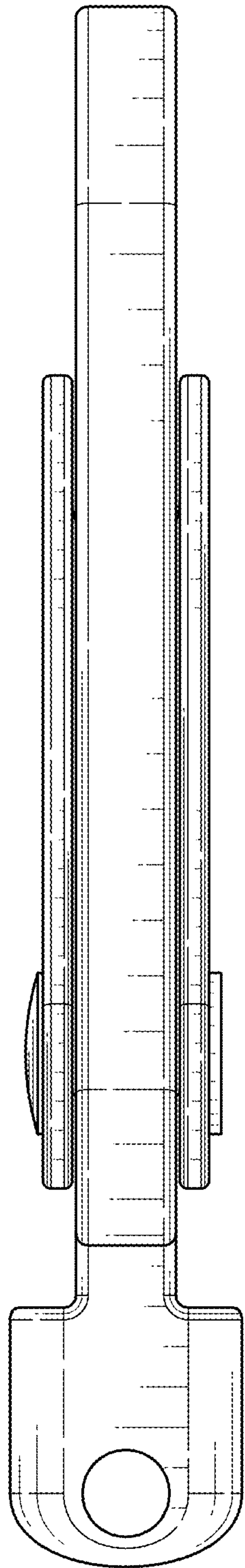


FIG. 5

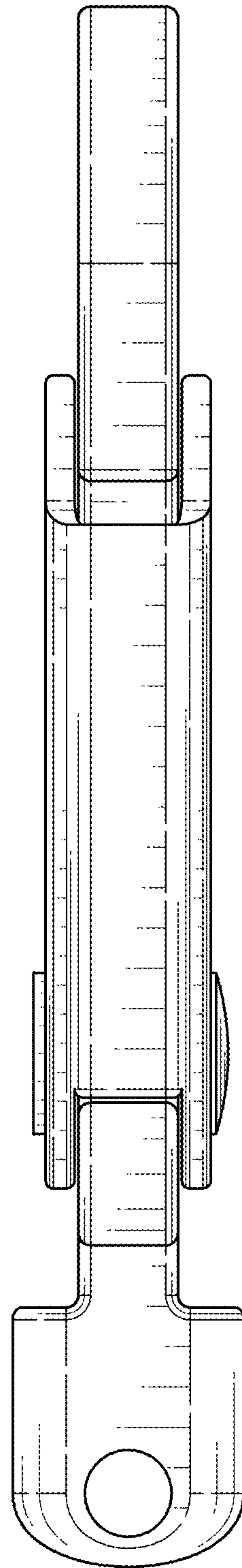


FIG. 6

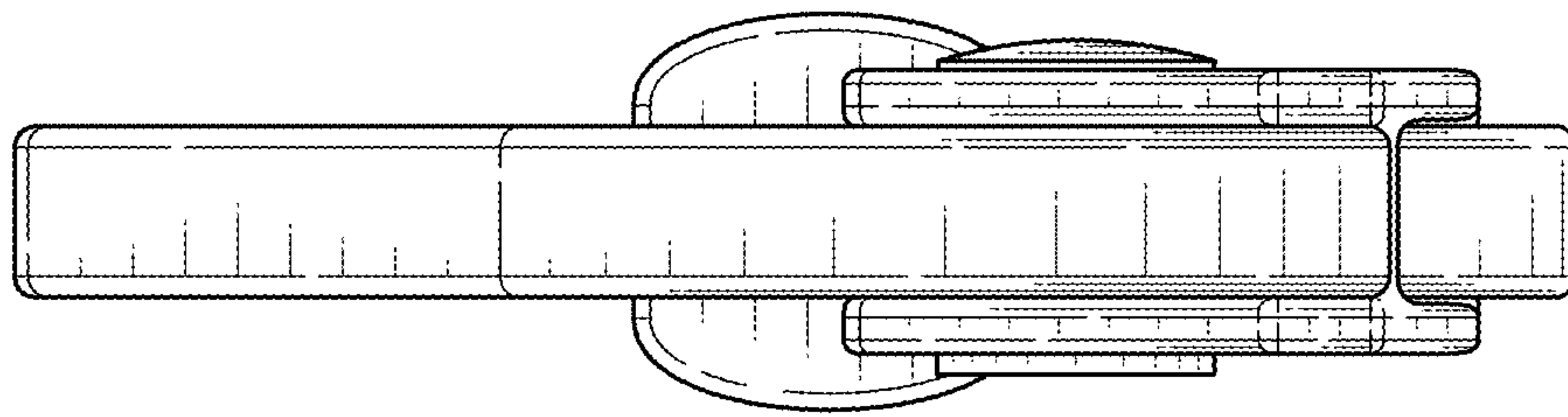


FIG. 7

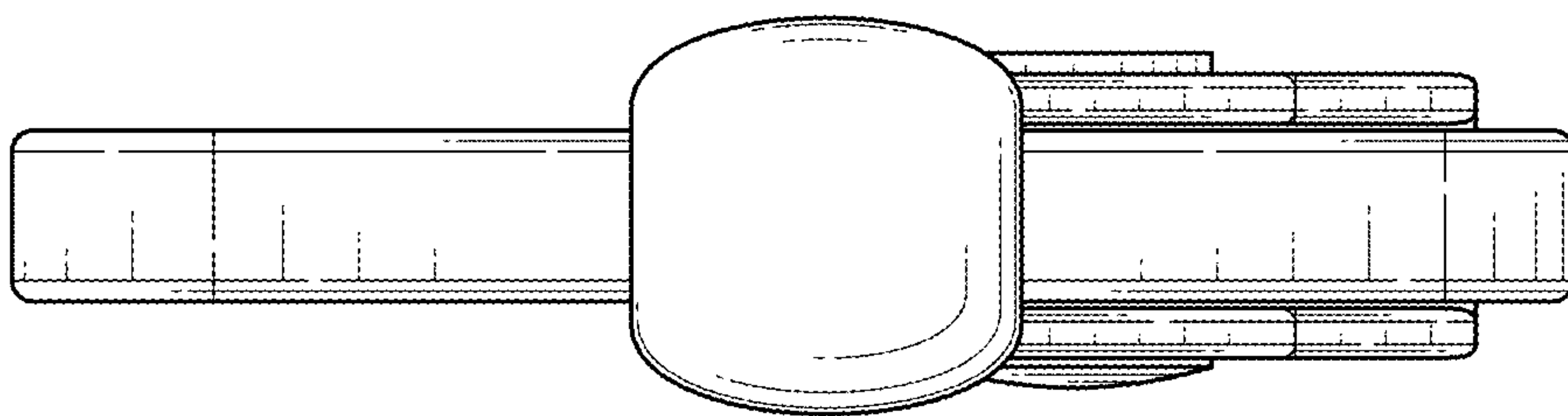


FIG. 8