



US00D989904S

(12) **United States Design Patent** (10) **Patent No.:** **US D989,904 S**
Seo (45) **Date of Patent:** **** Jun. 20, 2023**

(54) **TENT**

(71) Applicant: **Seung Woo Seo**, Incheon (KR)

(72) Inventor: **Seung Woo Seo**, Incheon (KR)

(**) Term: **15 Years**

(21) Appl. No.: **29/794,073**

(22) Filed: **Jun. 10, 2021**

(30) **Foreign Application Priority Data**

Dec. 10, 2020 (KR) 30-2020-0060960

(51) **LOC (14) Cl.** **21-04**

(52) **U.S. Cl.**

USPC **D21/834**; D21/838

(58) **Field of Classification Search**

USPC D21/834, 837, 838; D25/13, 16, 56, 57

CPC E04H 15/00; E04H 15/42; E04H 15/52

See application file for complete search history.

(56) **References Cited**

U.S. PATENT DOCUMENTS

D205,749 S *	9/1966	Moss	D21/834
D332,294 S *	1/1993	Cantwell	D21/834
D390,908 S *	2/1998	Lah	D21/834
D418,572 S *	1/2000	Ju	D21/834
D418,573 S *	1/2000	Ju	D21/834
D461,759 S *	8/2002	Napieraj	D21/834
D583,746 S *	12/2008	Napieraj	D12/403
D583,747 S *	12/2008	Napieraj	D12/403
D651,678 S *	1/2012	Muggleton	D21/834
D679,771 S *	4/2013	Muggleton	D21/834
2007/0095377 A1 *	5/2007	Poulson	E04H 15/42
				135/156
2014/0190540 A1 *	7/2014	Herpin	E04H 15/40
				135/115

FOREIGN PATENT DOCUMENTS

CN	304394944	*	12/2017
CN	304614101	*	5/2018

OTHER PUBLICATIONS

Amazon Website, Coleman—Tent Cook 4, Earliest Available Date: Mar. 31, 2017[Website Visited on Dec. 22, 2022] Available on the internet URL <https://www.amazon.com/Coleman-8919533-Tent-Cook-4/dp/B016TTOFIS/> (Year: 2017).*

Walmart Website, Crua Outdoors 3 Person Tent, Earliest Comment Date: Mar. 30, 2022 [Website Visited on Dec. 22, 2022] Available on the internet URL <https://www.walmart.com/ip/Crua-Outdoors-Tri-3-Person-Tent-Waterproof-Windproof-Warmth-Cooling-Insulation-Built-in-4-Seasons-Added-Extendable-Porch/895688564> (Year: 2022).*

* cited by examiner

Primary Examiner — S. Bryan Reinholdt, Jr.

Assistant Examiner — James T Tyree

(57) **CLAIM**

The ornamental design for a tent, as shown and described.

DESCRIPTION

FIG. 1 is a front perspective view of a tent of the present invention.

FIG. 2 is a front view of FIG. 1.

FIG. 3 is a rear view of FIG. 1.

FIG. 4 is a left side view of FIG. 1.

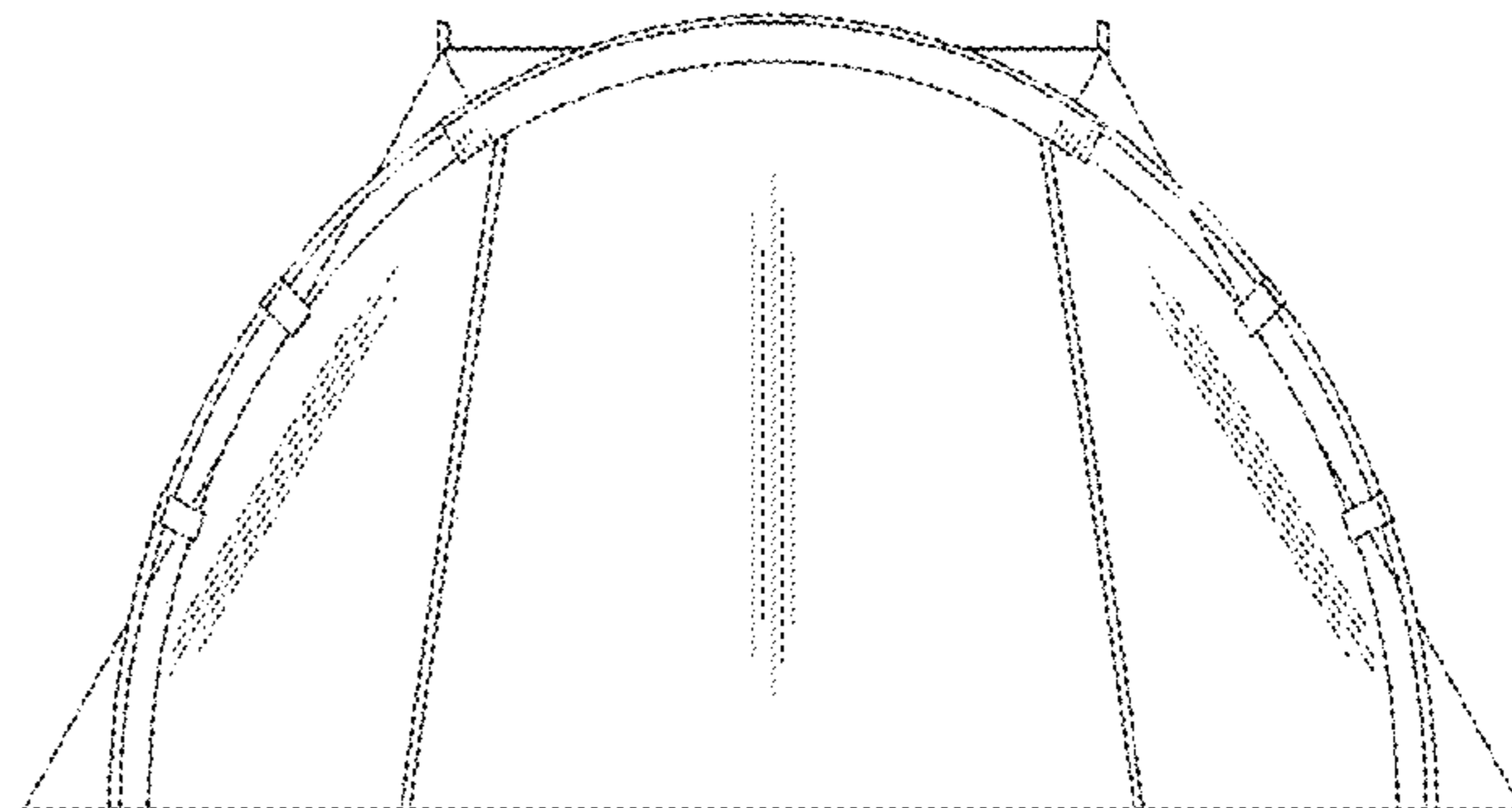
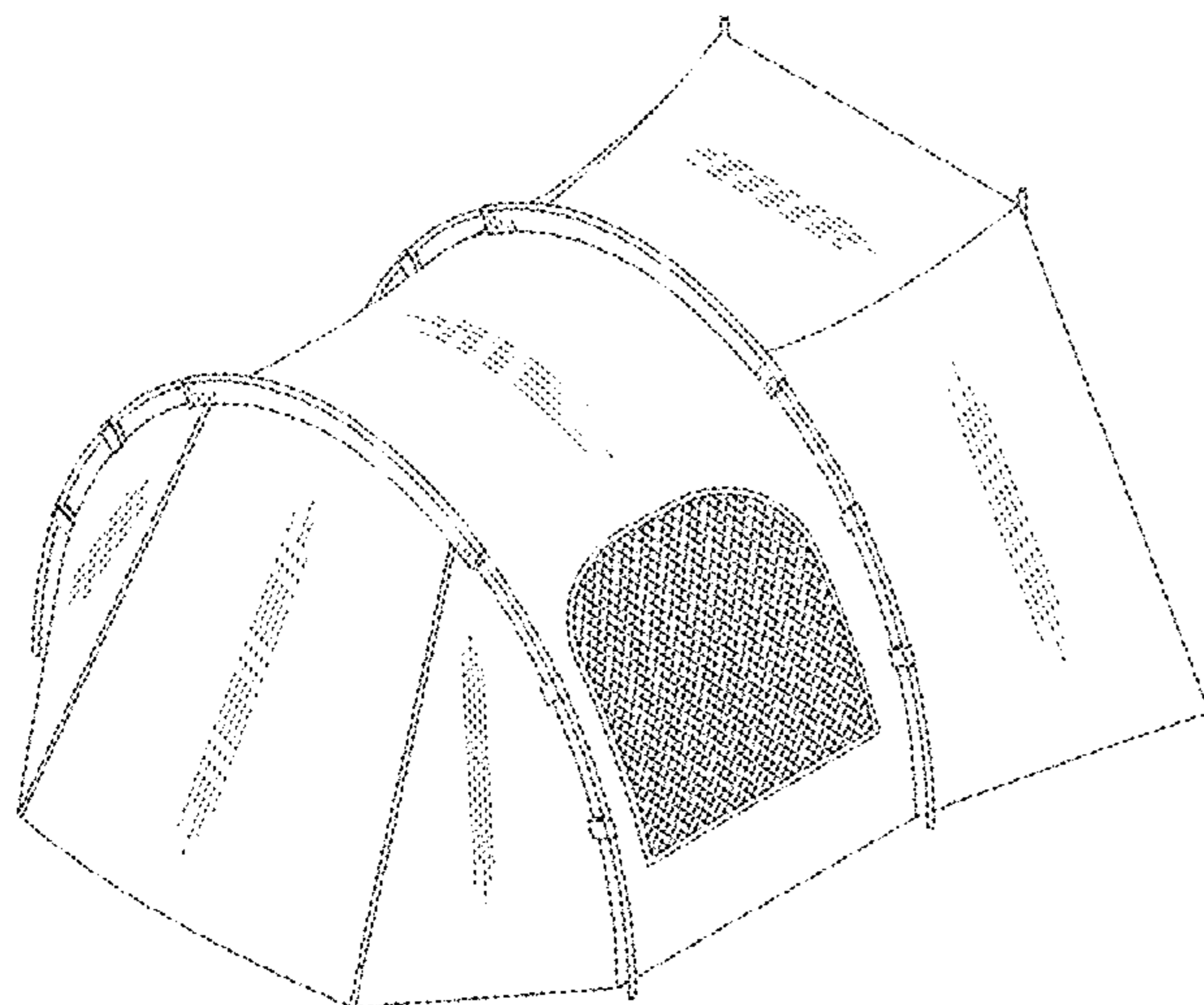
FIG. 5 is a right side view of FIG. 1.

FIG. 6 is a top plan view of FIG. 1.

FIG. 7 is a bottom plan view of FIG. 1; and,

FIG. 8 is a rear perspective view of FIG. 1 in an alternative configuration.

1 Claim, 8 Drawing Sheets



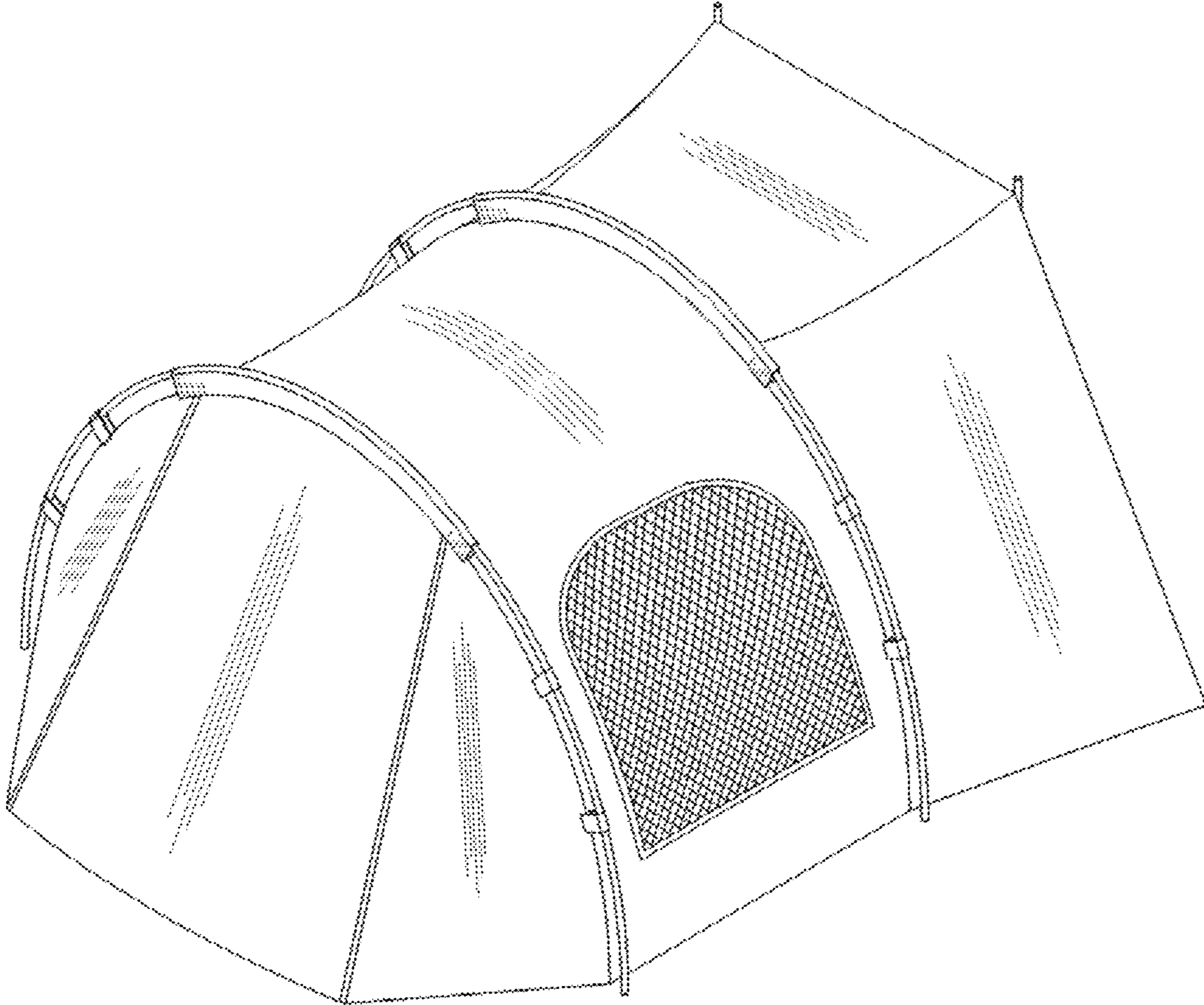


FIG. 1

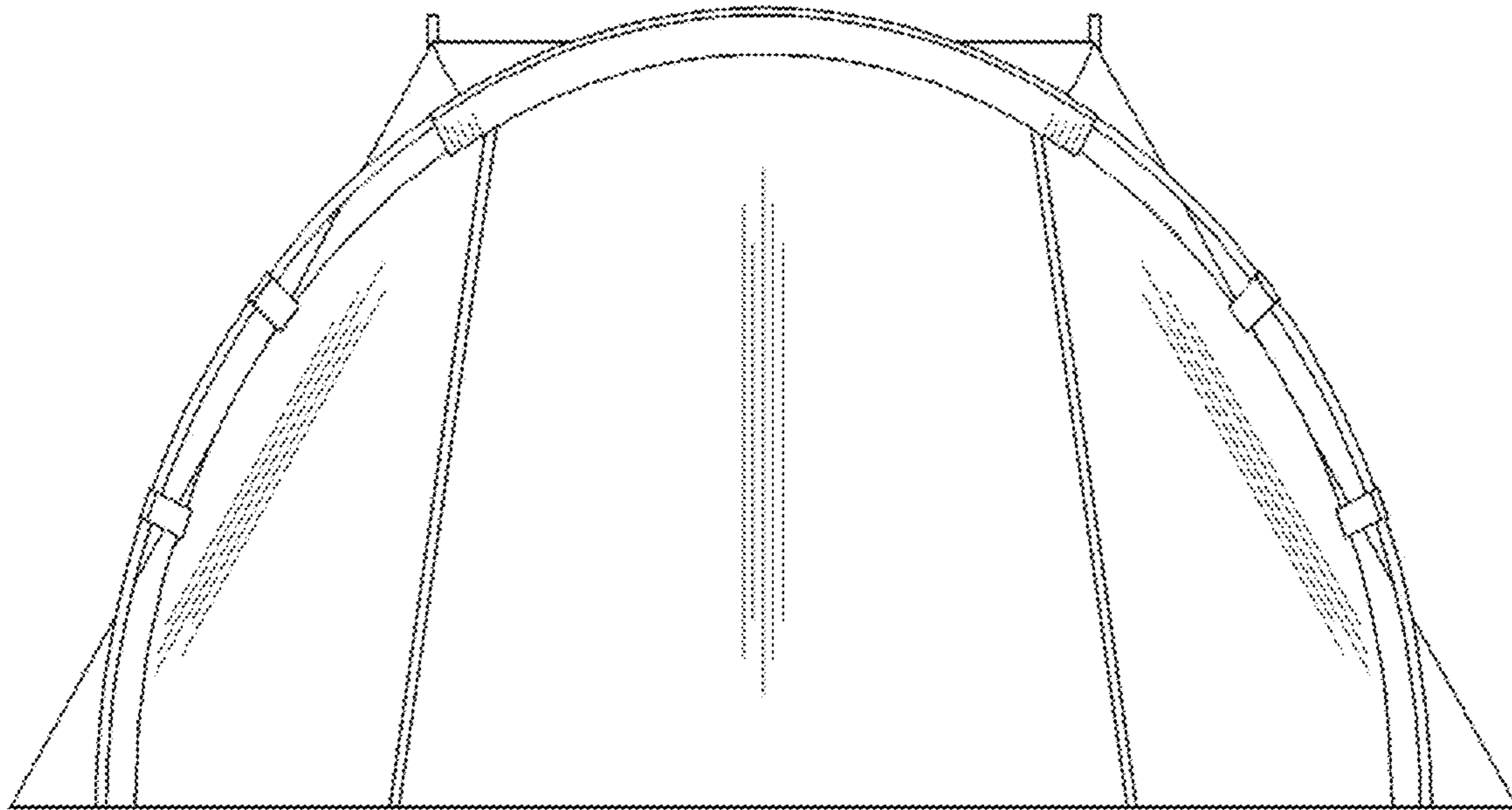


FIG. 2

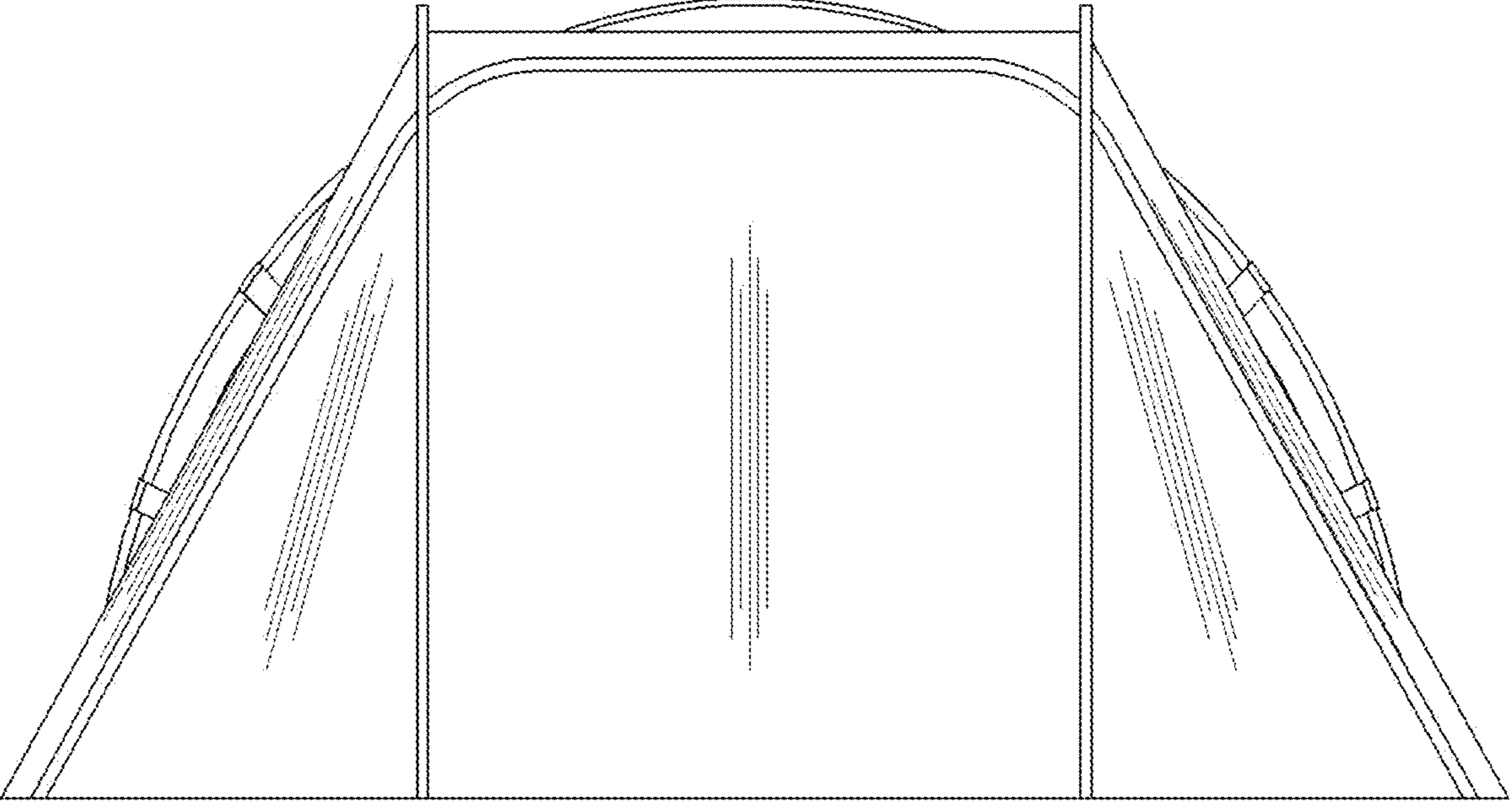


FIG. 3

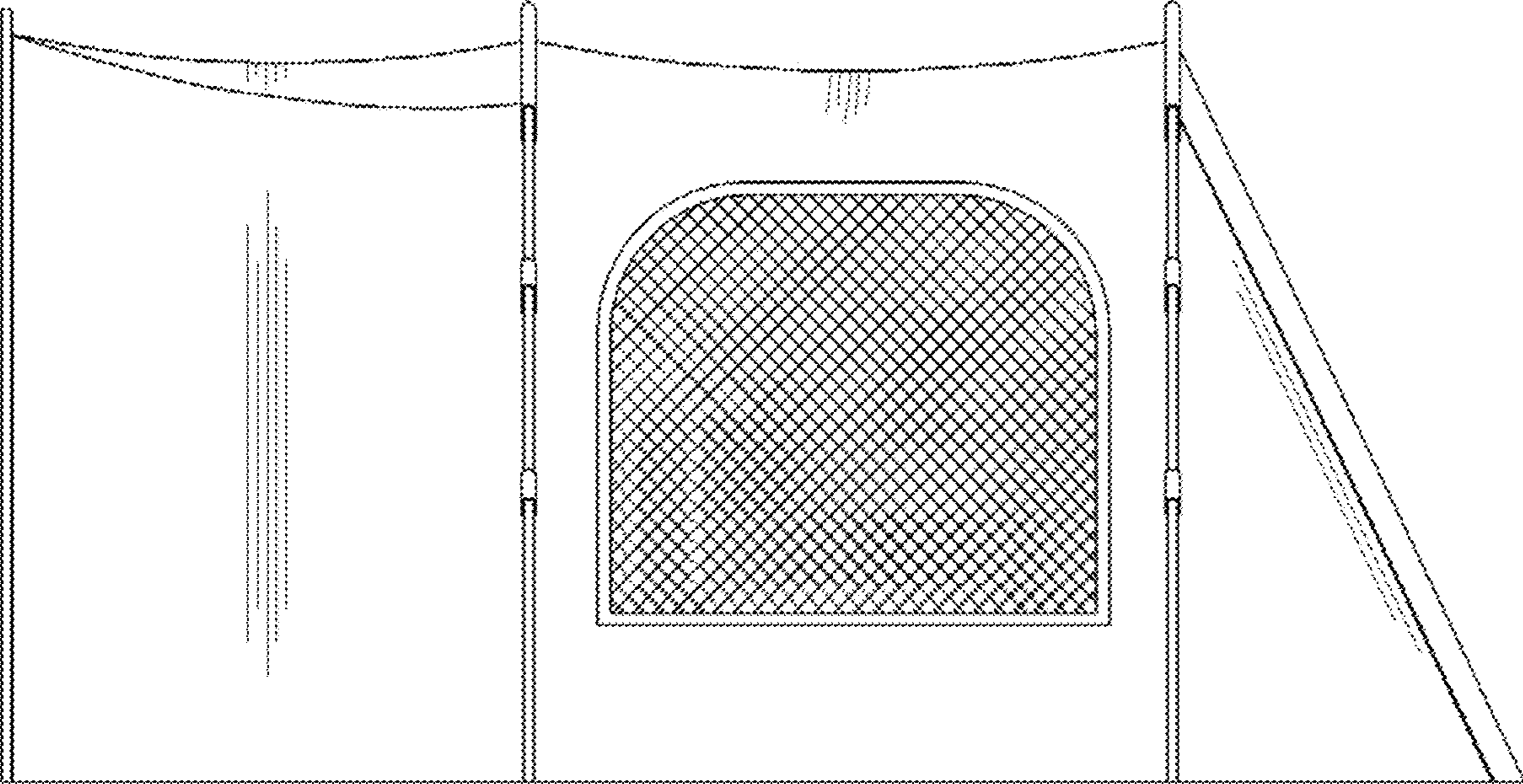


FIG. 4

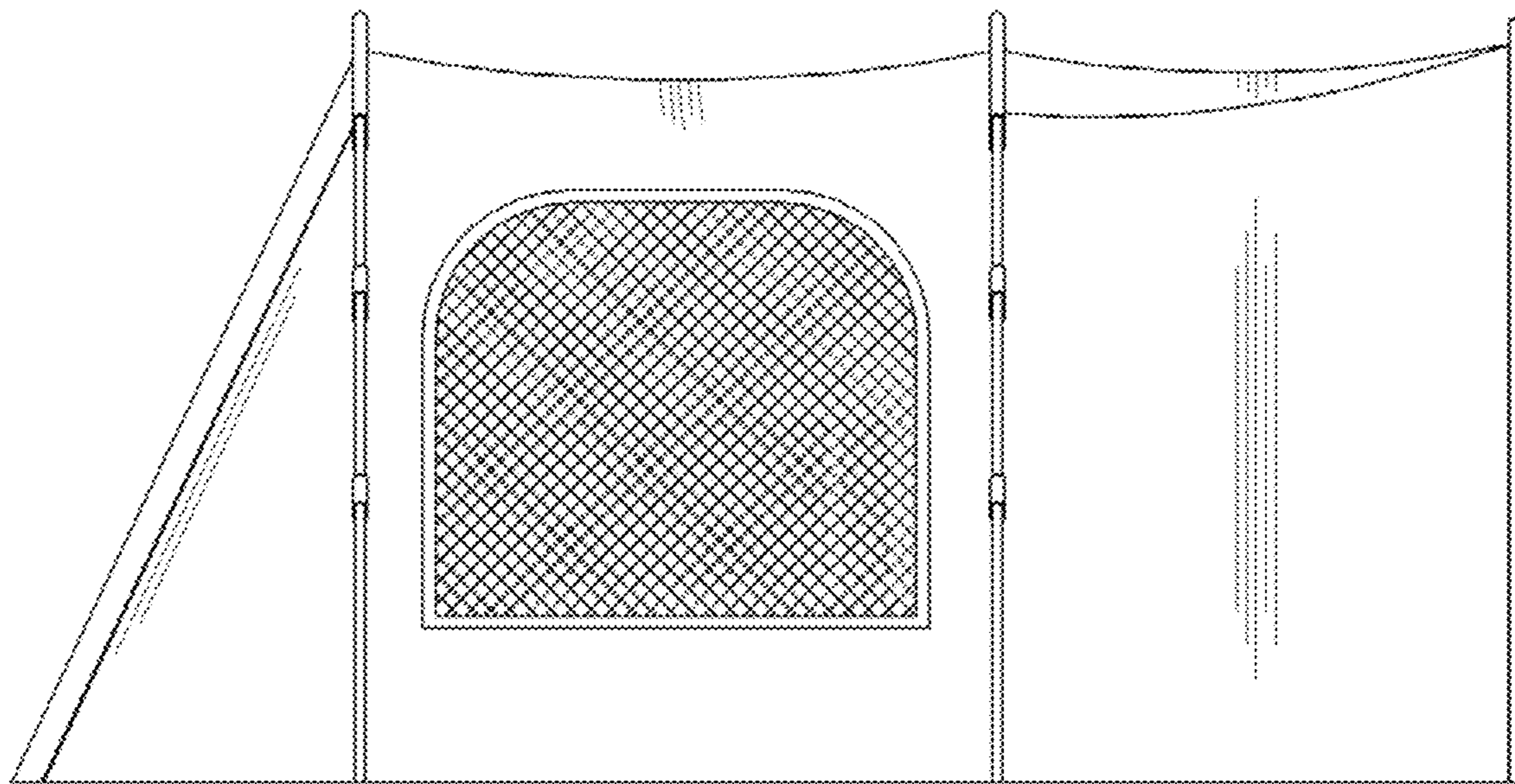


FIG. 5

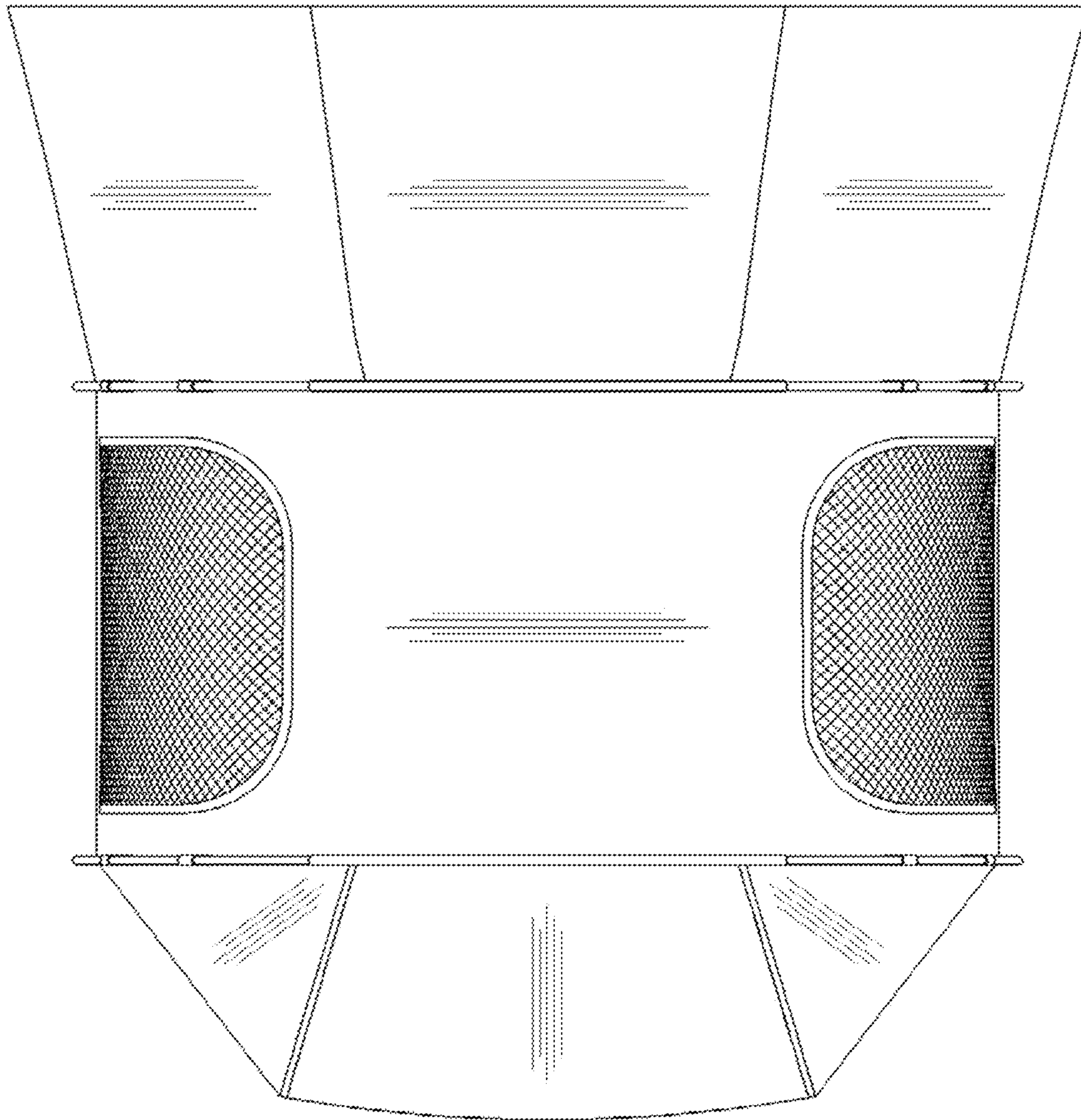


FIG. 6

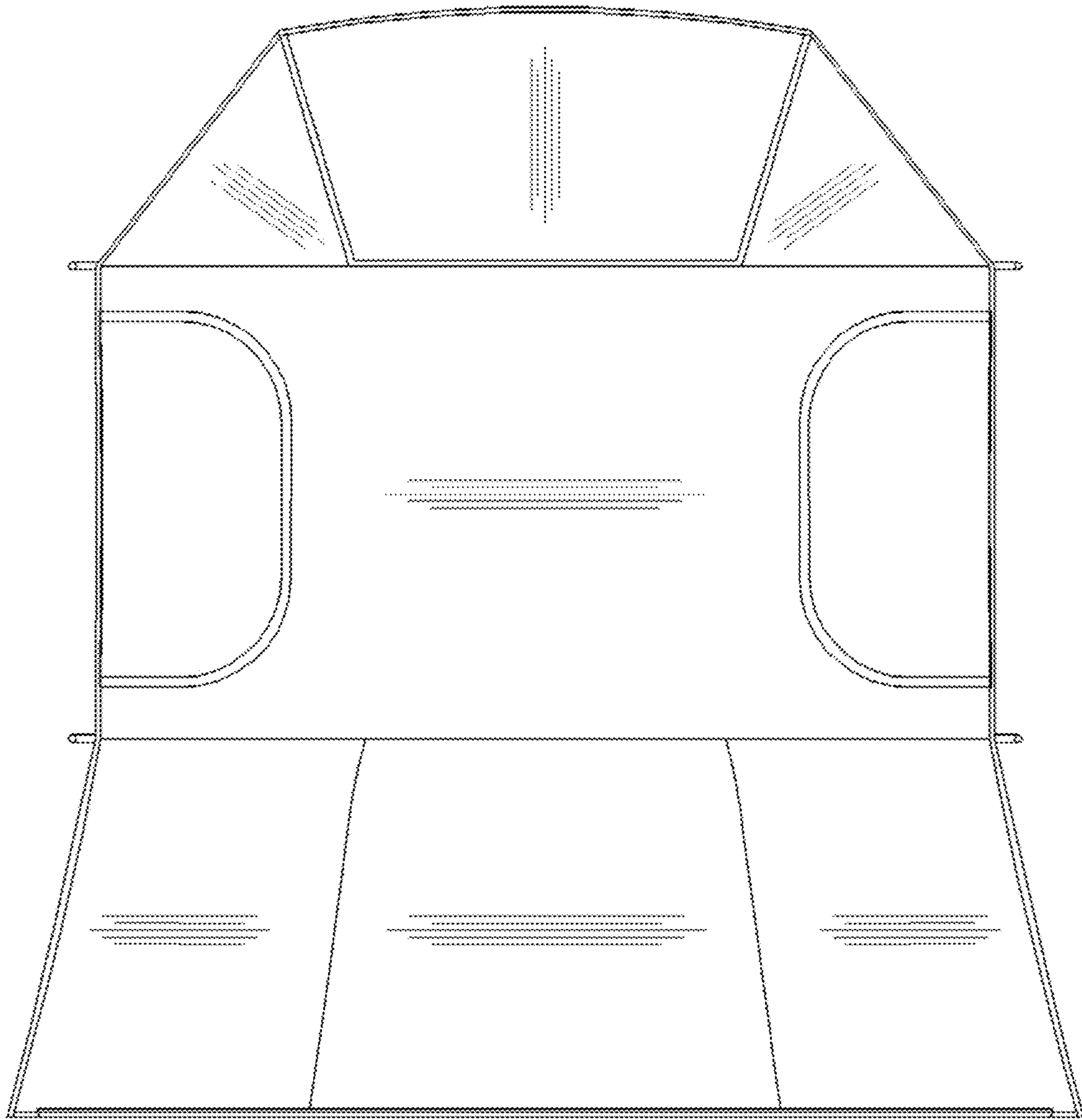


FIG. 7

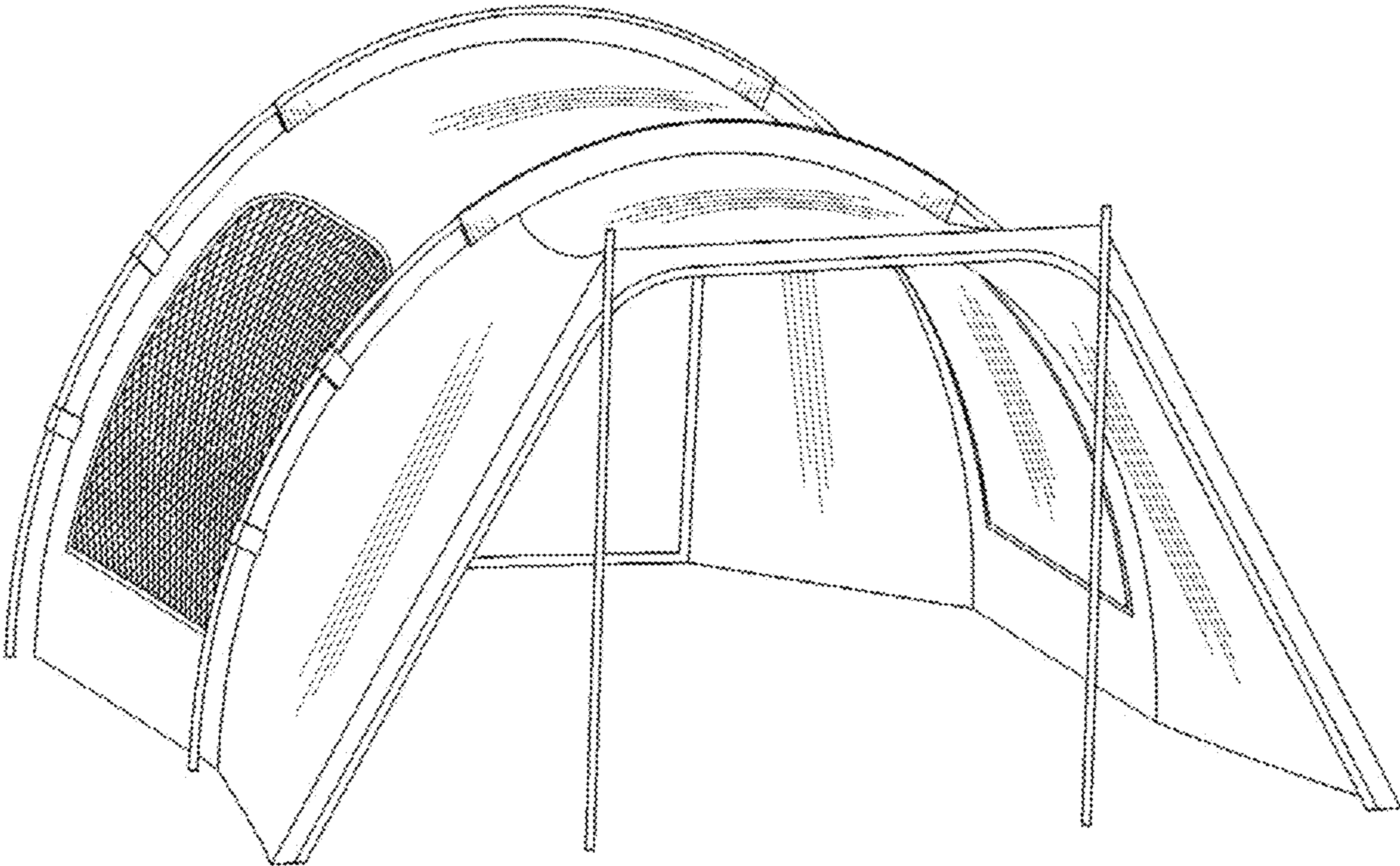


FIG. 8