



US00D989900S

(12) **United States Design Patent**  
**Goserud**

(10) **Patent No.:** **US D989,900 S**  
(45) **Date of Patent:** **\*\* Jun. 20, 2023**

(54) **COMPARTMENTED SPHERICAL HOLDER FOR GOLF TEES**

(71) Applicant: **J. Thomas Goserud**, Landisville, PA (US)

(72) Inventor: **J. Thomas Goserud**, Landisville, PA (US)

(\*\*) Term: **15 Years**

(21) Appl. No.: **29/791,177**

(22) Filed: **Jan. 3, 2022**

**Related U.S. Application Data**

(62) Division of application No. 29/729,925, filed on Mar. 31, 2020.

(51) **LOC (14) Cl.** ..... **21-02**

(52) **U.S. Cl.**

USPC ..... **D21/796**; D3/221

(58) **Field of Classification Search**

USPC ..... D21/789, 796, 717, 718; D3/201, 221, D3/254, 259

CPC ..... A63B 57/20; A63B 57/203; A63B 47/00; A63B 47/001; A63B 57/00; A63B 57/10; A63B 57/12; A63B 57/13; A63B 57/16; A63B 57/18; A63B 57/19

See application file for complete search history.

(56) **References Cited**

**U.S. PATENT DOCUMENTS**

- 1,375,853 A \* 4/1921 Lyman ..... G09B 27/08 434/137
- 2,112,339 A \* 3/1938 Kasperek ..... A63B 57/203 224/249
- D183,351 S \* 8/1958 Keljik ..... D11/125
- 2,925,678 A \* 2/1960 Burnbaum ..... A47G 33/08 D11/121
- 2,960,263 A \* 11/1960 Goddard ..... A63B 55/408 211/60.1

- 3,252,615 A \* 5/1966 Hill ..... A63B 57/203 221/82
  - 3,360,170 A \* 12/1967 Scannell ..... A63B 57/203 224/274
  - D209,836 S \* 1/1968 Tatlock ..... D11/127
- (Continued)

**OTHER PUBLICATIONS**

Golf tee holder google search; google.com; Apr. 3, 2023.\*  
Spherical golf tee holder google search; google.com; Apr. 3, 2023.\*

*Primary Examiner* — Mitchell I. Siegel

(74) *Attorney, Agent, or Firm* — Squire Patent Consulting & IP Law LLC; Brendan E. Squire

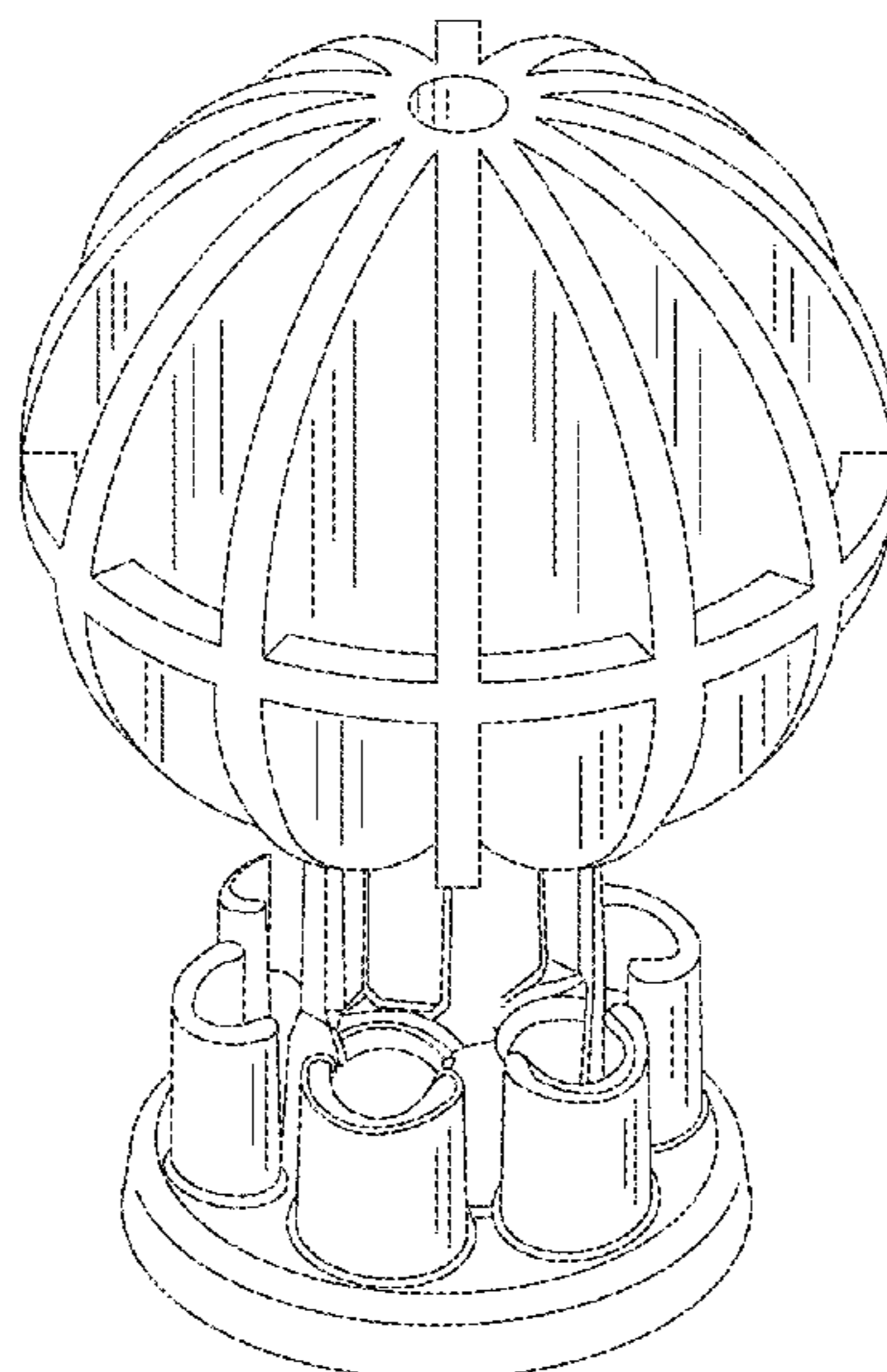
(57) **CLAIM**

The ornamental design for a compartmented spherical holder for golf tees, as shown and described.

**DESCRIPTION**

FIG. 1 is a front perspective view of the compartmented spherical holder for golf tees showing my new design with the retaining strap and connecting hook omitted for clarity; FIG. 2 is a right-side elevation view thereof, the left side being a mirror image thereof; FIG. 3 is a front elevation view thereof; FIG. 4 is a top plan view thereof; FIG. 5 is a bottom plan view thereof; FIG. 6 is a section view thereof, taken along line 6-6 of FIG. 2; FIG. 7 is a section view thereof, taken along line 7-7 of FIG. 3; FIG. 8 is an exploded side elevation view thereof; and, FIG. 9 is a side elevation view thereof in use holding a plurality of golf tees. The broken lines shown in the drawing views form no part of the claimed design.

**1 Claim, 5 Drawing Sheets**



(56)

References Cited

U.S. PATENT DOCUMENTS

3,612,261 A \* 10/1971 Cicero ..... A63B 57/203  
 D9/414  
 D236,272 S \* 8/1975 Aquilante ..... D11/118  
 D249,580 S \* 9/1978 Hill ..... D11/121  
 4,993,613 A \* 2/1991 Frisbie ..... A63B 57/203  
 224/251  
 5,056,697 A \* 10/1991 Sheffield ..... A63B 55/408  
 224/679  
 5,158,179 A \* 10/1992 Gosselin ..... A63B 57/203  
 206/315.1  
 5,172,839 A \* 12/1992 Frisbie ..... A63B 55/408  
 224/251  
 D387,837 S \* 12/1997 Luchynsky ..... D3/259  
 D412,958 S \* 8/1999 Sisson ..... D21/796  
 D462,032 S \* 8/2002 Schmauz-Grimsel ..... D11/121  
 D466,041 S \* 11/2002 Goserud ..... D11/79  
 D474,826 S \* 5/2003 Goserud ..... D21/796  
 D476,053 S \* 6/2003 Goserud ..... D21/789

6,988,646 B2 \* 1/2006 White ..... A63B 57/203  
 224/576  
 D543,695 S \* 6/2007 Sands ..... D3/221  
 D563,263 S \* 3/2008 Chen ..... D11/117  
 D567,320 S \* 4/2008 Pelosi ..... D21/796  
 D653,720 S \* 2/2012 Piatkowski ..... D21/793  
 D656,663 S \* 3/2012 Son ..... D26/118  
 D656,664 S \* 3/2012 Son ..... D26/118  
 D666,411 S \* 9/2012 Goserud ..... D3/221  
 D674,454 S \* 1/2013 Asberg ..... D21/796  
 D716,395 S \* 10/2014 Ross ..... D21/796  
 D741,973 S \* 10/2015 Wark ..... D21/796  
 9,192,835 B1 \* 11/2015 Goserud ..... A63B 57/0031  
 D776,561 S \* 1/2017 Richardson ..... D11/117  
 D882,012 S \* 4/2020 Goserud ..... D21/796  
 D946,685 S \* 3/2022 Goserud ..... D21/791  
 2004/0262344 A1 \* 12/2004 White ..... A63B 57/203  
 224/269  
 2011/0215013 A1 \* 9/2011 Young ..... A63B 57/207  
 473/282  
 2022/0409968 A1 \* 12/2022 Goserud ..... A63B 57/207

\* cited by examiner

FIG. 1

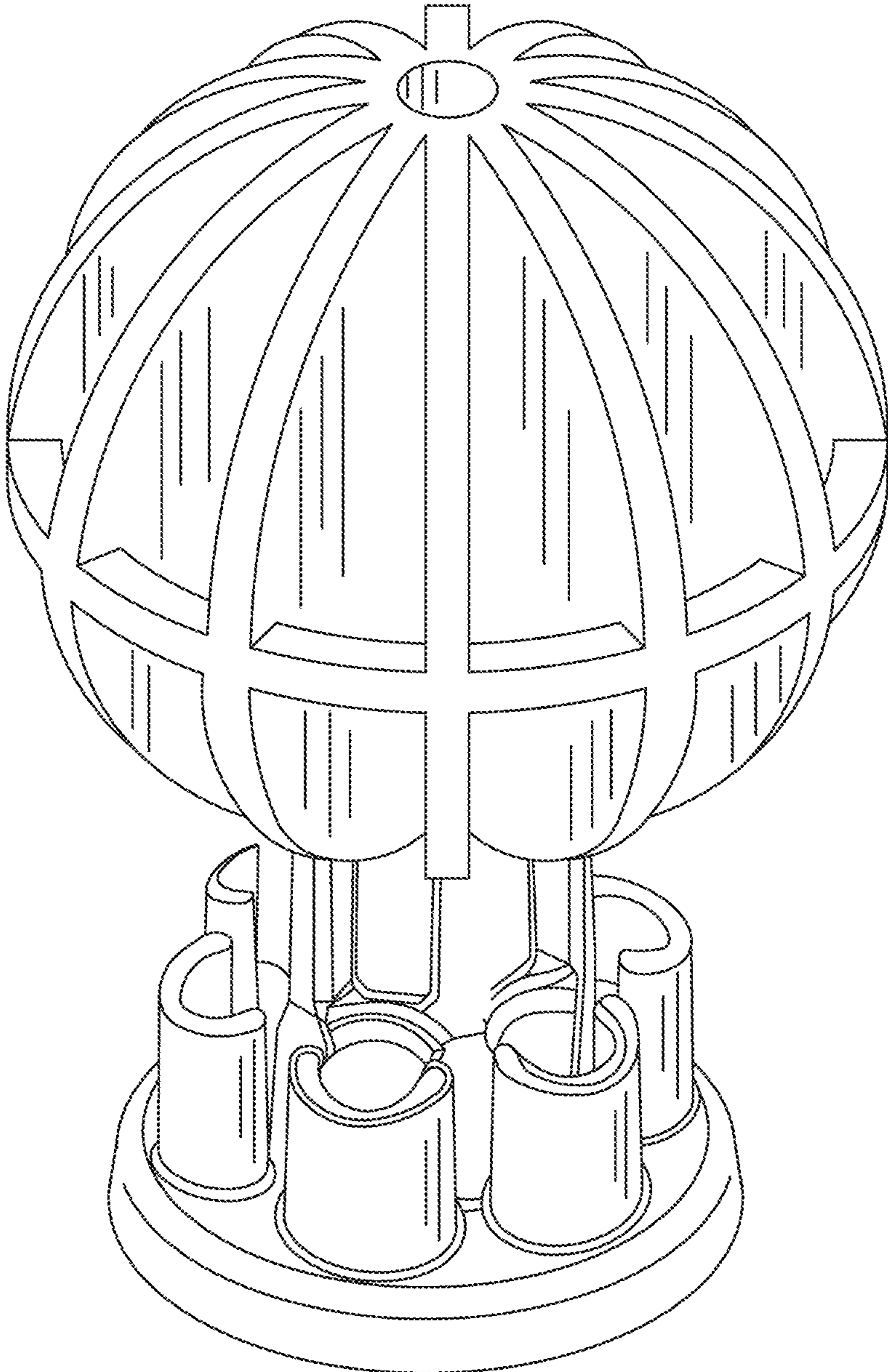




FIG. 2

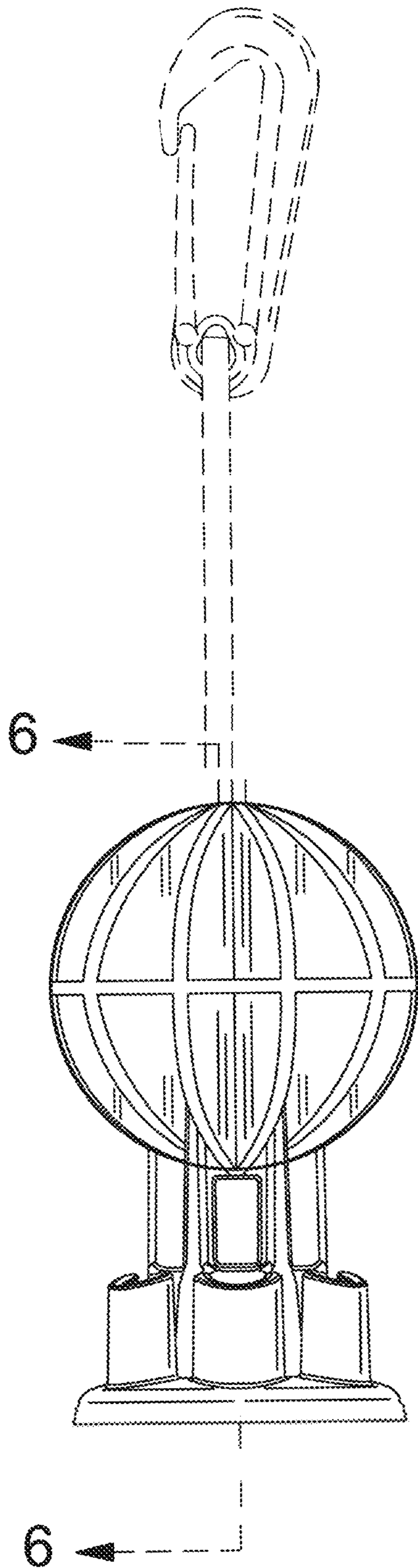


FIG. 3

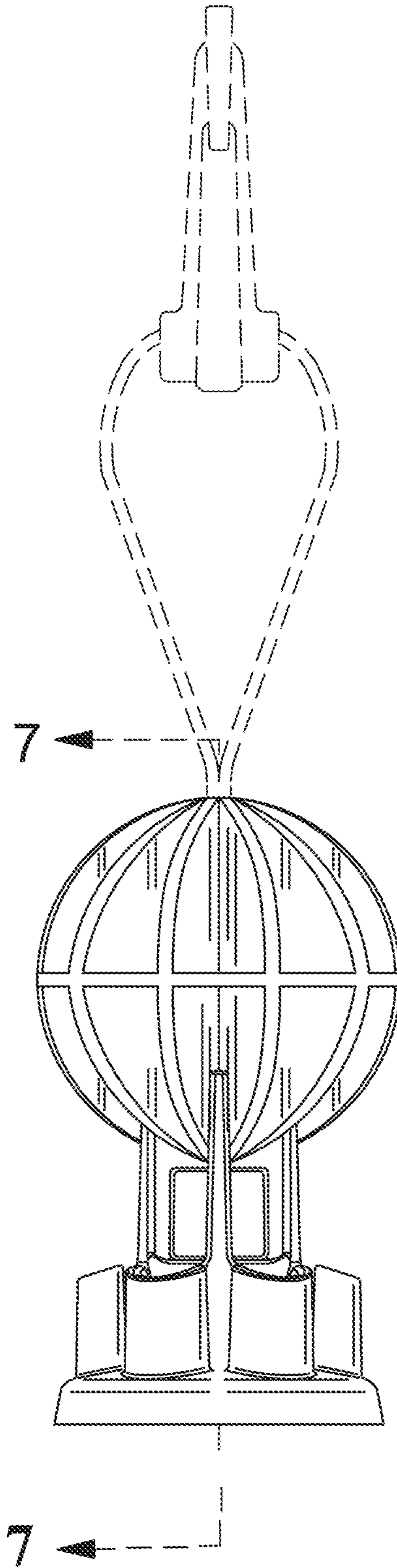


FIG. 4

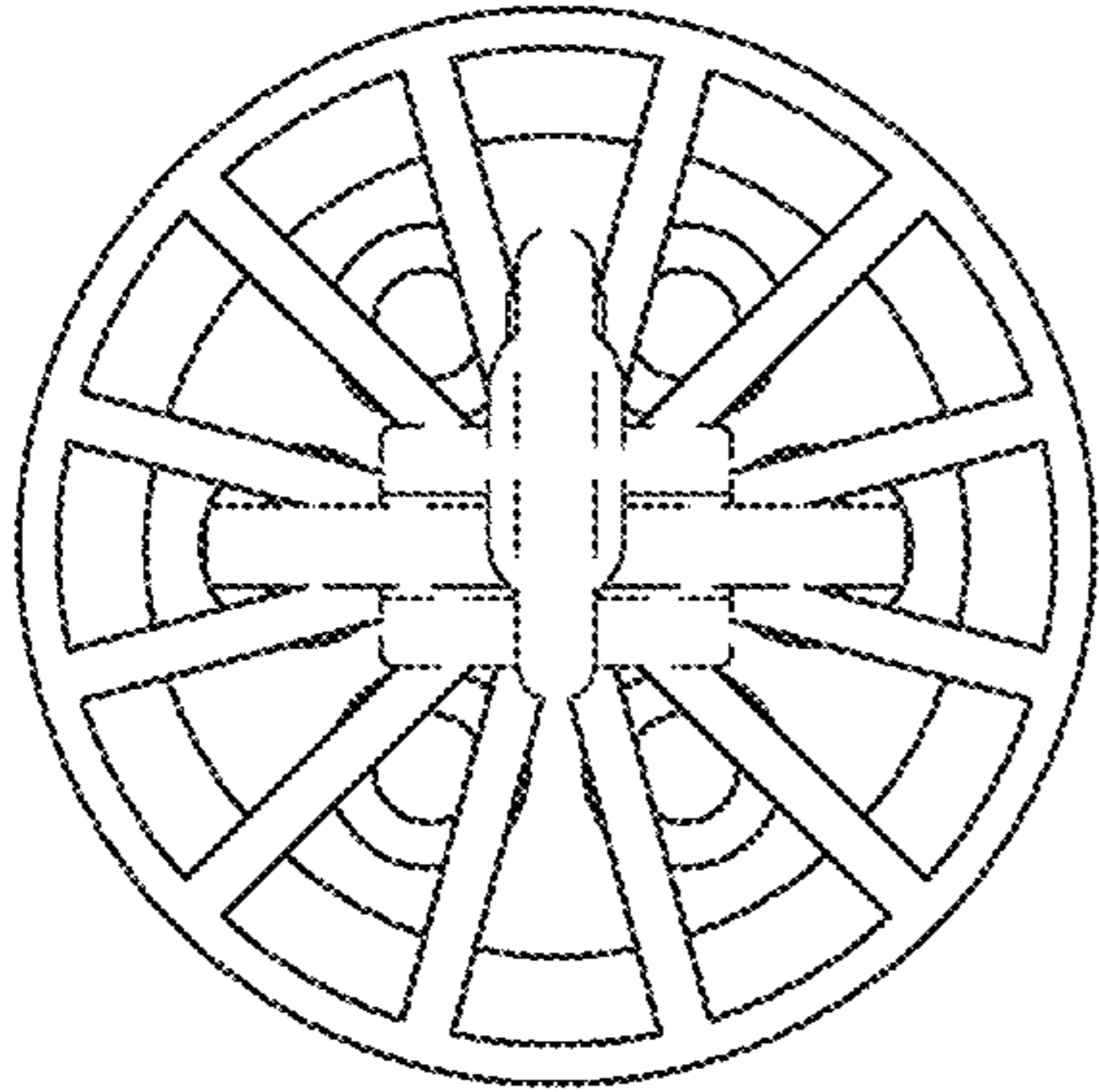


FIG. 5

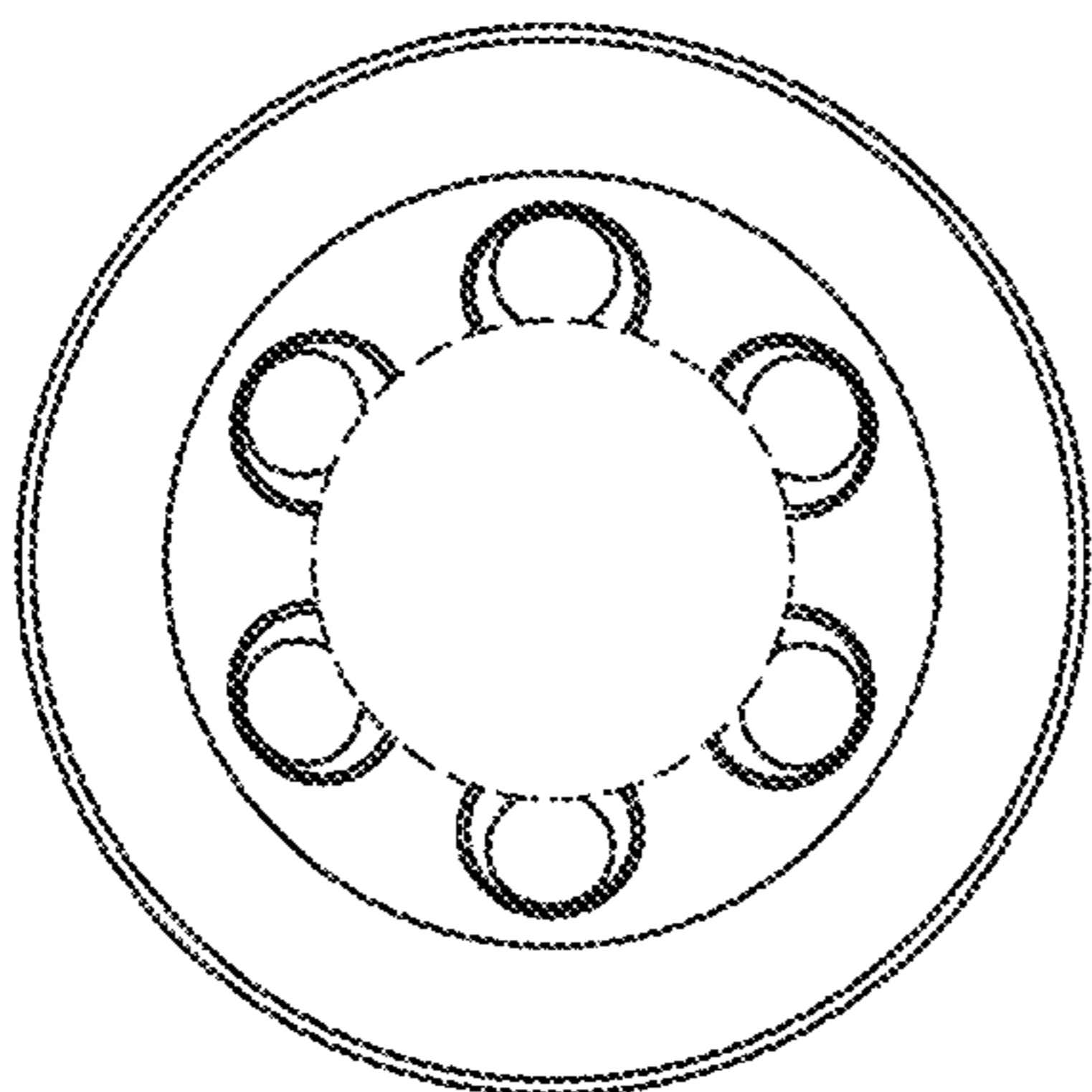


FIG. 6

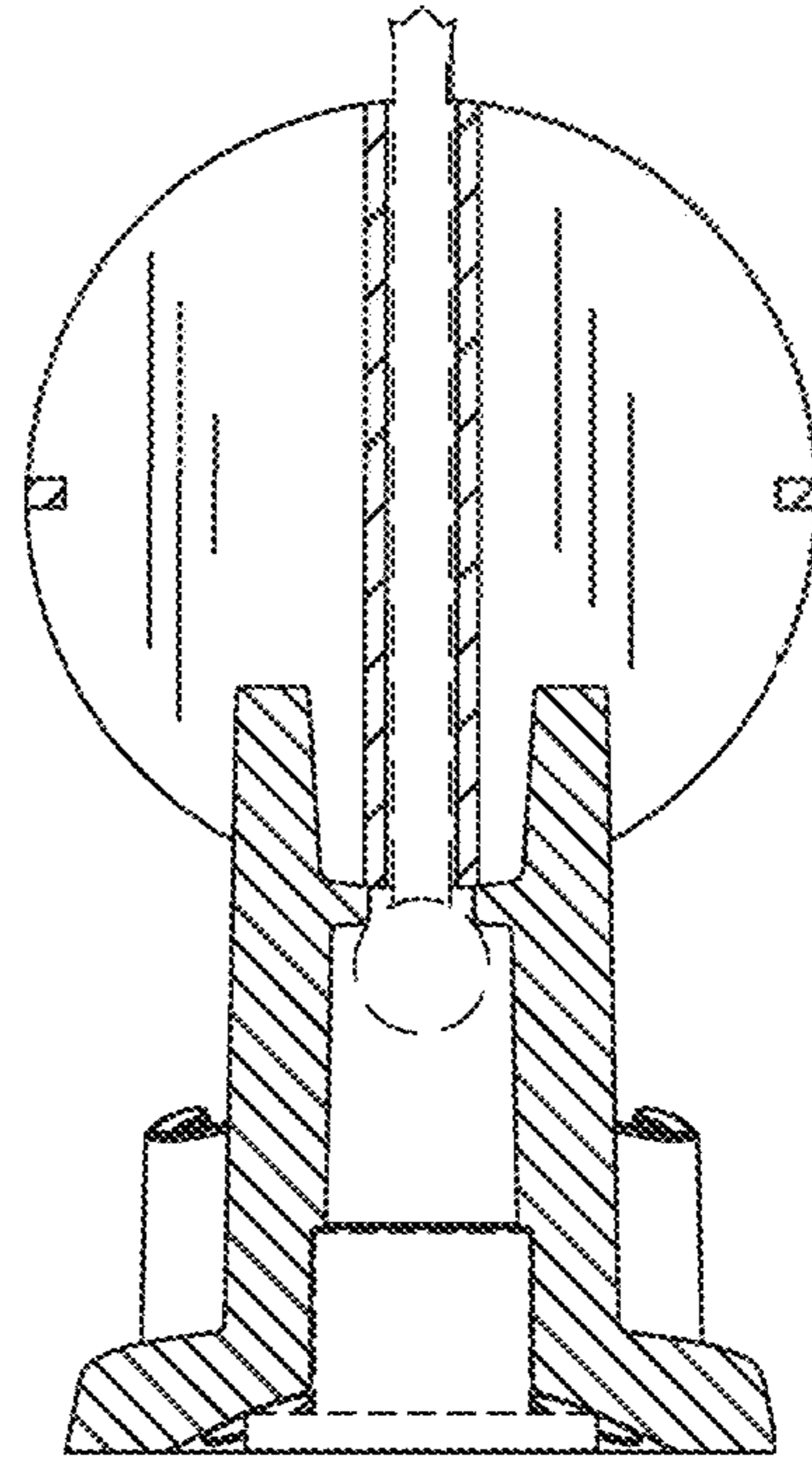


FIG. 7

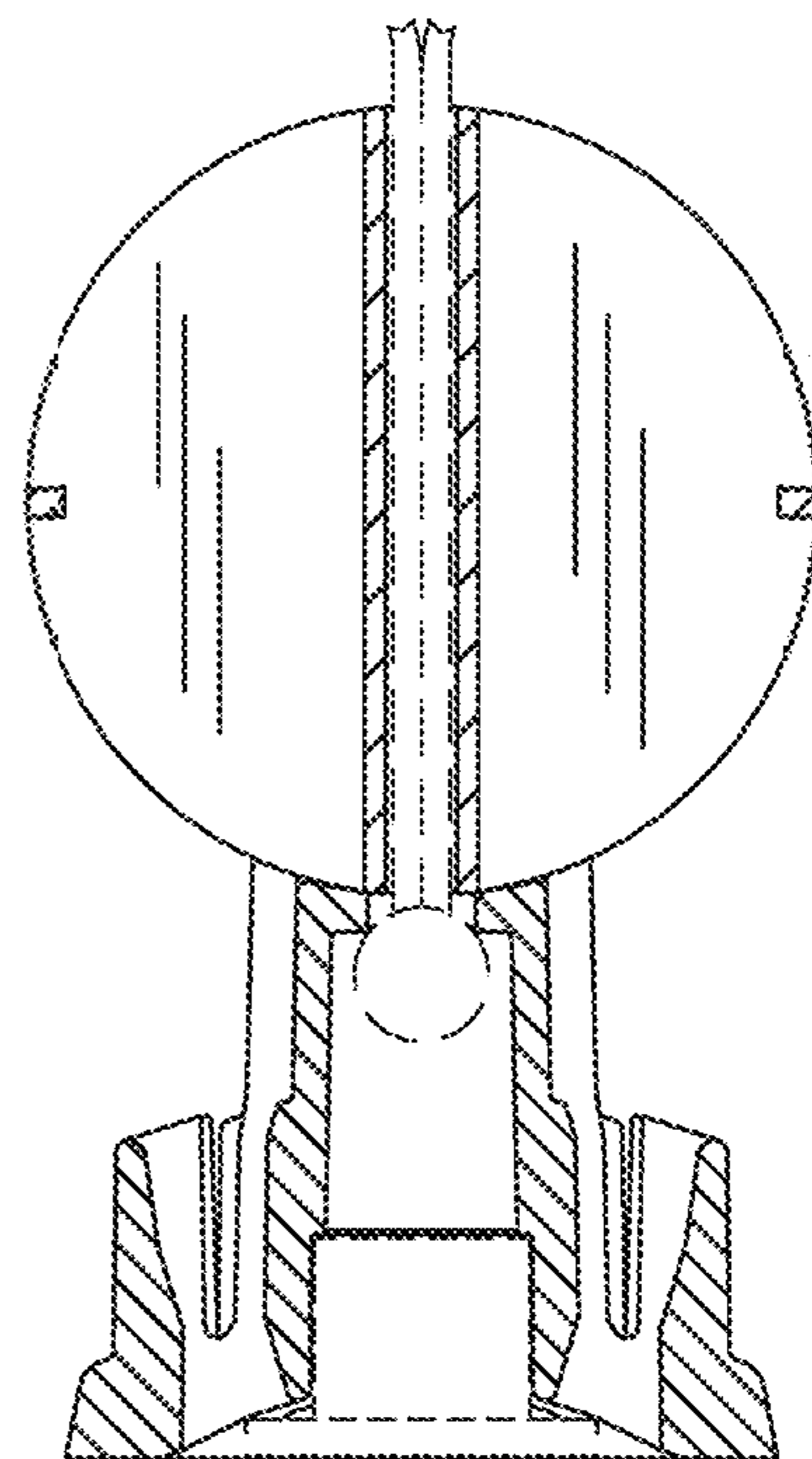


FIG. 8

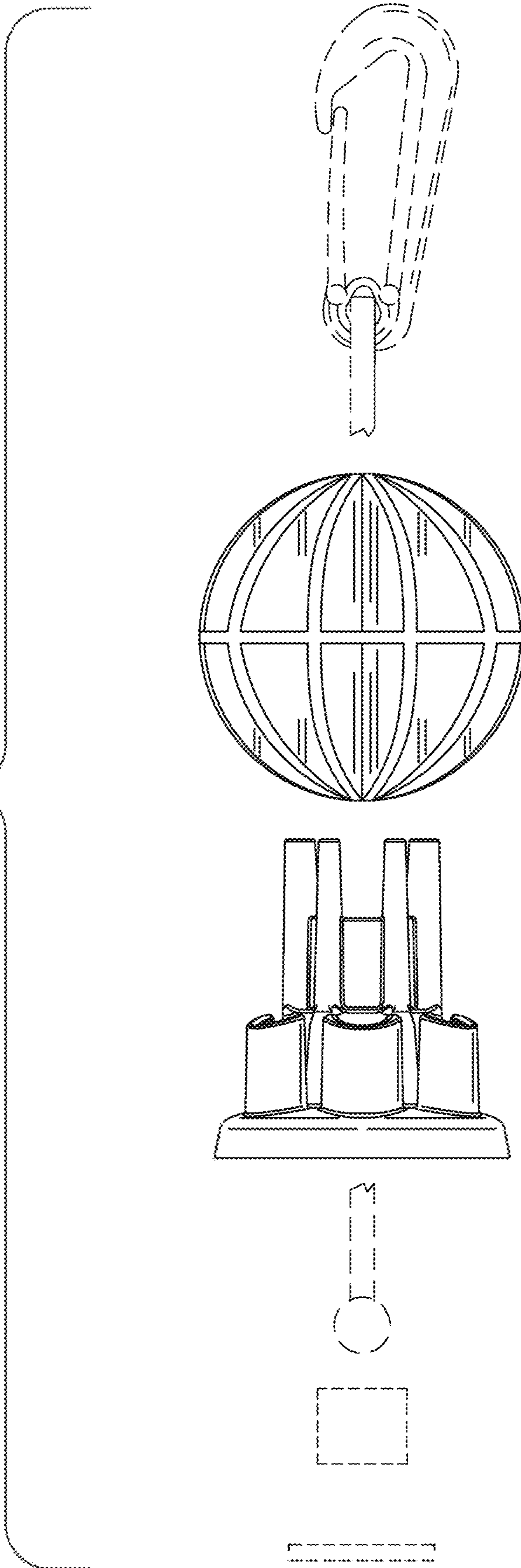


FIG. 9

