



US00D989897S

(12) **United States Design Patent**  
**Kam**

(10) **Patent No.:** **US D989,897 S**  
(45) **Date of Patent:** **\*\* Jun. 20, 2023**

(54) **TABLETOP BASKETBALL GAME**

(71) Applicant: **Ao Jie Plastic Toys Factory Ltd.,**  
Kwun Tong (HK)  
(72) Inventor: **Chi Hang Kam,** Kwun Tong (HK)  
(73) Assignee: **Ao Jie Plastic Toy Factory Ltd.,** Kwun  
Tong (HK)

(\*\*) Term: **15 Years**

(21) Appl. No.: **29/769,401**

(22) Filed: **Feb. 4, 2021**

(51) **LOC (14) Cl.** ..... **21-02**

(52) **U.S. Cl.**  
USPC ..... **D21/701; D21/702**

(58) **Field of Classification Search**  
USPC ..... D21/301-303, 305, 701-705, 699, 781,  
D21/318, 334, 312, 323, 325, 328, 335,  
D21/337, 339, 342, 355  
CPC ..... A63B 63/00; A63B 63/08; A63B 63/083;  
A63B 2063/006; A63B 2063/086; A63B  
2243/0037; A63B 69/0071; A63B  
2225/09; A63B 2225/093; A63B 21/1618;  
A63B 21/1636; A63B 21/1645; A63B  
2208/12; A63B 71/0669; A63B 2071/026;  
A63B 2063/001; A63F 7/0612; A63F  
7/0017; A63F 7/2481  
See application file for complete search history.

(56) **References Cited**

**U.S. PATENT DOCUMENTS**

910,811 A \* 1/1909 Hartnell ..... A63B 59/20  
D21/466  
1,163,102 A 12/1915 Morgan  
1,582,811 A \* 4/1926 Adler ..... A63B 67/083  
473/509  
D110,225 S \* 6/1938 Schutt ..... D21/702  
(Continued)

**OTHER PUBLICATIONS**

Classic Arcade Games Sports Toys Kids Player Desktop Table Mini Shooting Basketball Games. No Available Date. Retrieved from internet: <[https://www.alibaba.com/product-detail/Classic-Arcade-Games-Sports-Toys-Kids\\_1600375025172.html](https://www.alibaba.com/product-detail/Classic-Arcade-Games-Sports-Toys-Kids_1600375025172.html)> [site visited Nov. 9, 2022] (Year: 2022).\*

*Primary Examiner* — Katherine Glennon  
*Assistant Examiner* — Yuan Yuan

(74) *Attorney, Agent, or Firm* — LaMorte & Associates P.C.

(57) **CLAIM**

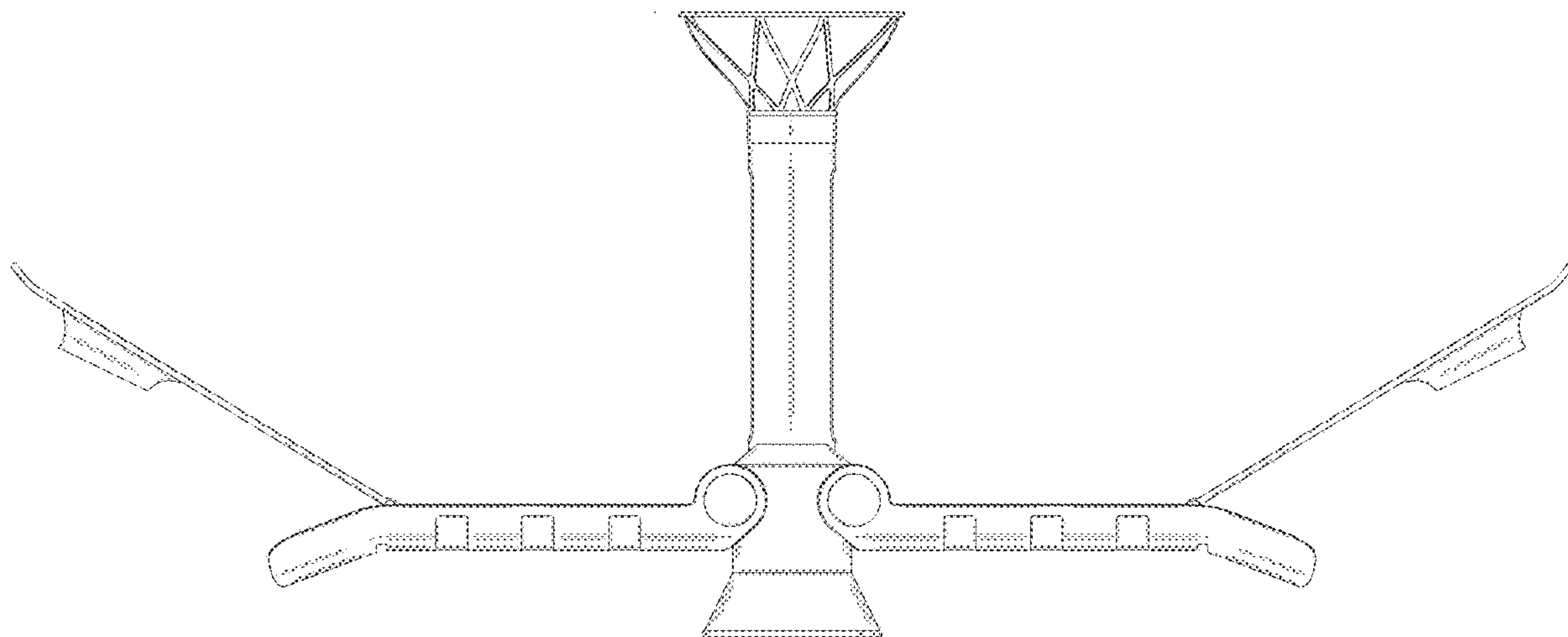
The ornamental design for a tabletop basketball game, as shown and described.

**DESCRIPTION**

FIG. 1 is a front view of a tabletop basketball game shown in an open configuration;  
FIG. 2 is a rear view thereof, shown in an open configuration;  
FIG. 3 is a right-side view thereof, shown in an open configuration;  
FIG. 4 is a left-side view thereof, shown in an open configuration;  
FIG. 5 is a top view thereof, shown in an open configuration;  
FIG. 6 is a bottom view thereof, shown in an open configuration;  
FIG. 7 is a front view thereof, shown in a folded configuration;  
FIG. 8 is a rear view thereof, shown in a folded configuration;  
FIG. 9 is a right-side view thereof, shown in a folded configuration;  
FIG. 10 is a left-side view thereof, shown in a folded configuration; and,  
FIG. 11 is a top view thereof, shown in a folded configuration.

Broken lines form no part of the claimed design.

**1 Claim, 11 Drawing Sheets**



(56)

References Cited

U.S. PATENT DOCUMENTS

2,194,779 A \* 3/1940 Albach ..... A63B 63/08  
D21/702  
2,278,616 A \* 4/1942 Kettering ..... A63B 63/083  
200/332  
3,887,184 A \* 6/1975 Cavaliere ..... A63B 67/083  
473/515  
4,245,842 A 1/1981 Kuna et al.  
D260,670 S \* 9/1981 Armstrong ..... D21/704  
D277,884 S \* 3/1985 Offutt ..... D21/702  
D285,032 S \* 8/1986 Alonzo ..... D21/703  
D308,237 S \* 5/1990 McCullough ..... D21/704  
D351,880 S \* 10/1994 Taylor ..... D21/704  
D353,641 S \* 12/1994 Liu ..... D21/702  
5,409,211 A \* 4/1995 Adamek ..... A63B 63/083  
473/433  
5,443,259 A \* 8/1995 Segan ..... A63F 7/0612  
273/123 A  
5,499,821 A 3/1996 Rycroft  
D385,001 S \* 10/1997 Blumenthal ..... D21/702  
5,788,242 A 8/1998 Rudell et al.  
5,967,513 A 10/1999 Wells  
D433,471 S \* 11/2000 Hsu ..... D21/701  
D535,702 S \* 1/2007 Crasnick ..... D21/318  
D545,929 S \* 7/2007 DeGray ..... D21/704  
7,491,140 B2 \* 2/2009 DeGray ..... A63B 69/0071  
473/433  
7,530,909 B2 \* 5/2009 Thomas ..... A63B 63/083  
D21/704  
7,566,059 B2 7/2009 Bianco  
D704,780 S \* 5/2014 Brown ..... D21/704  
9,227,125 B2 \* 1/2016 Le ..... A63B 63/083  
10,463,935 B1 \* 11/2019 Hung ..... A63B 60/12  
2013/0082077 A1 \* 4/2013 Millman ..... A45F 4/02  
224/153

\* cited by examiner

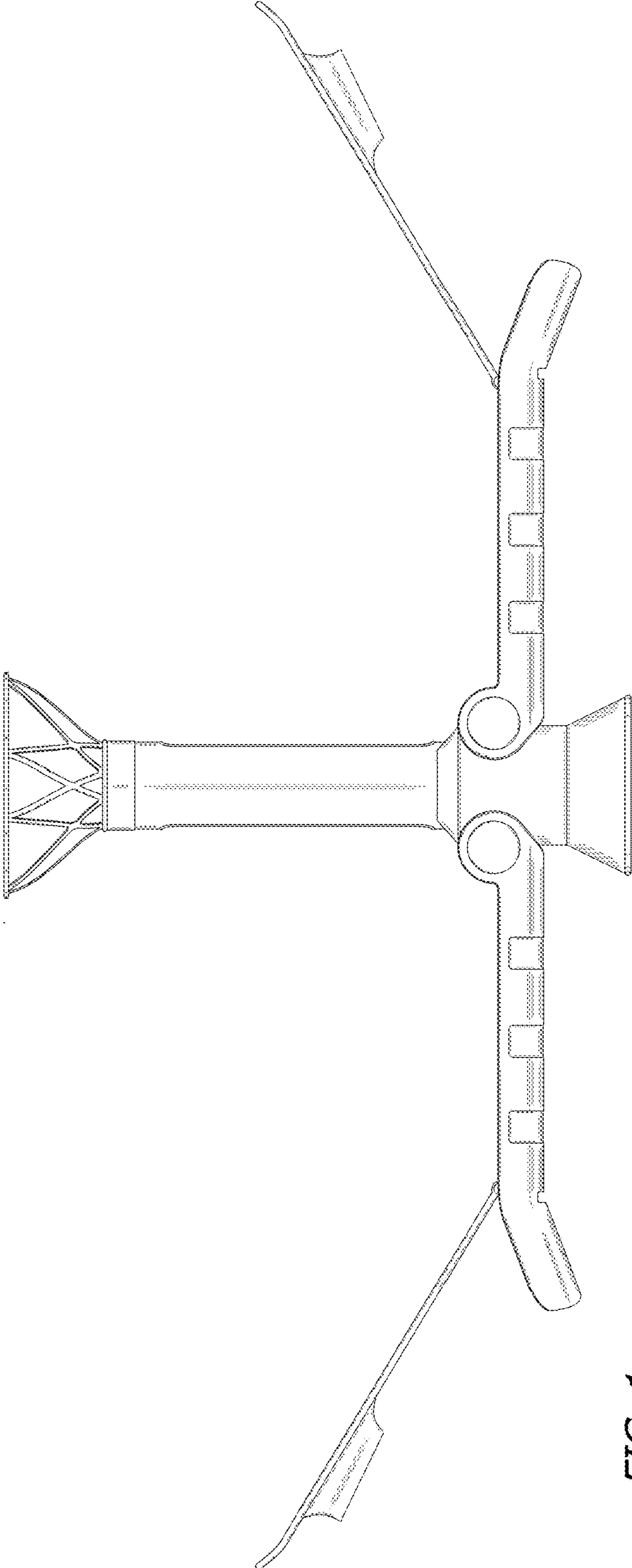


FIG. 1

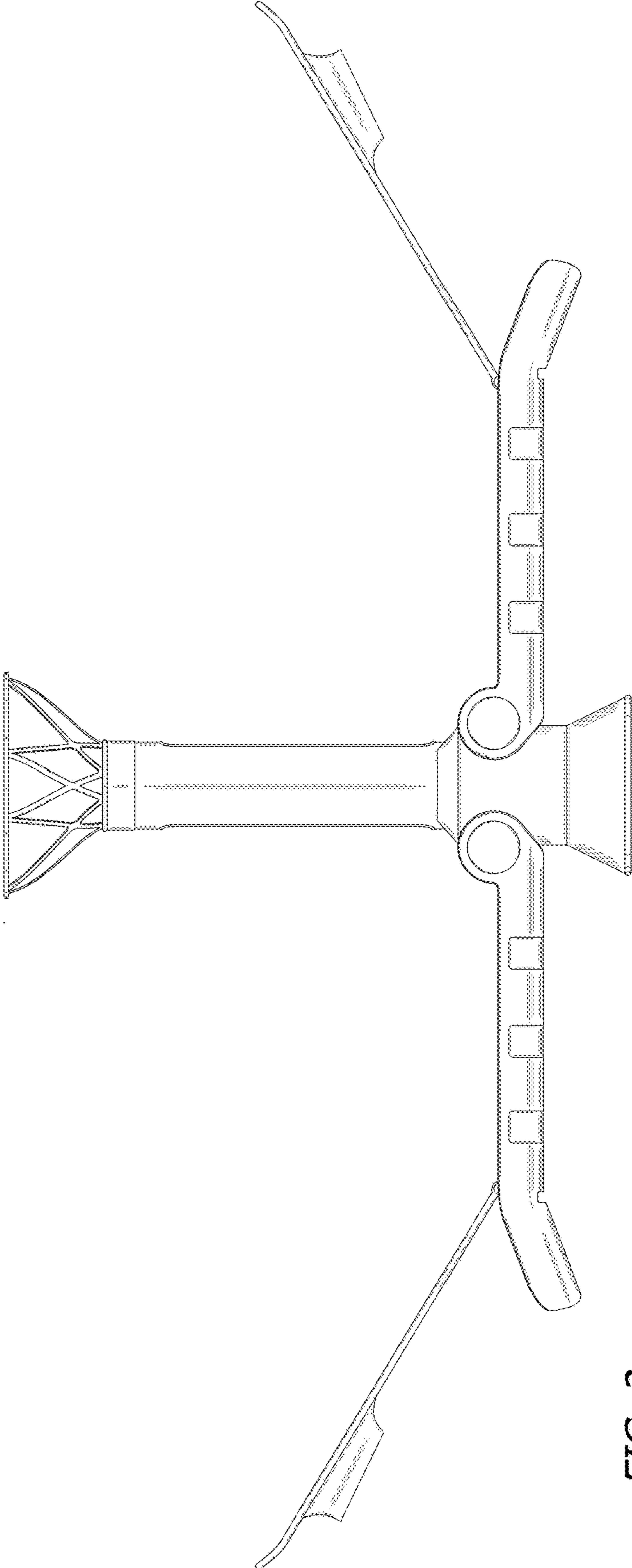
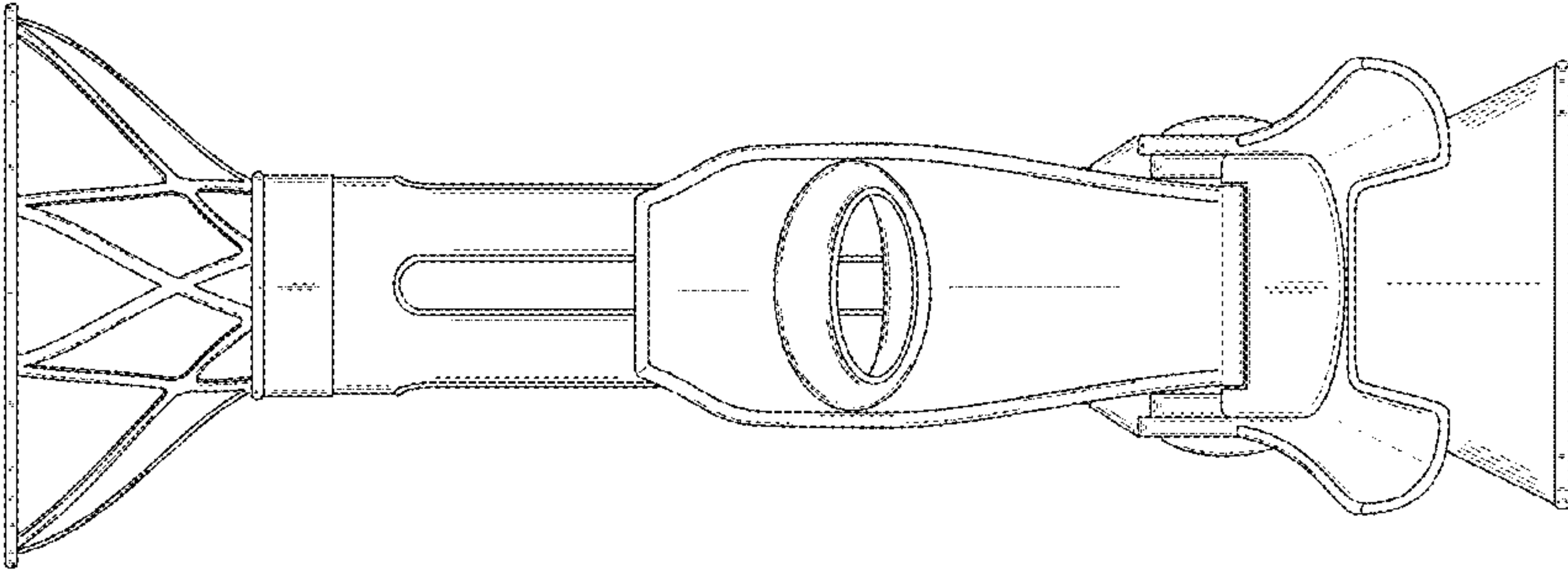
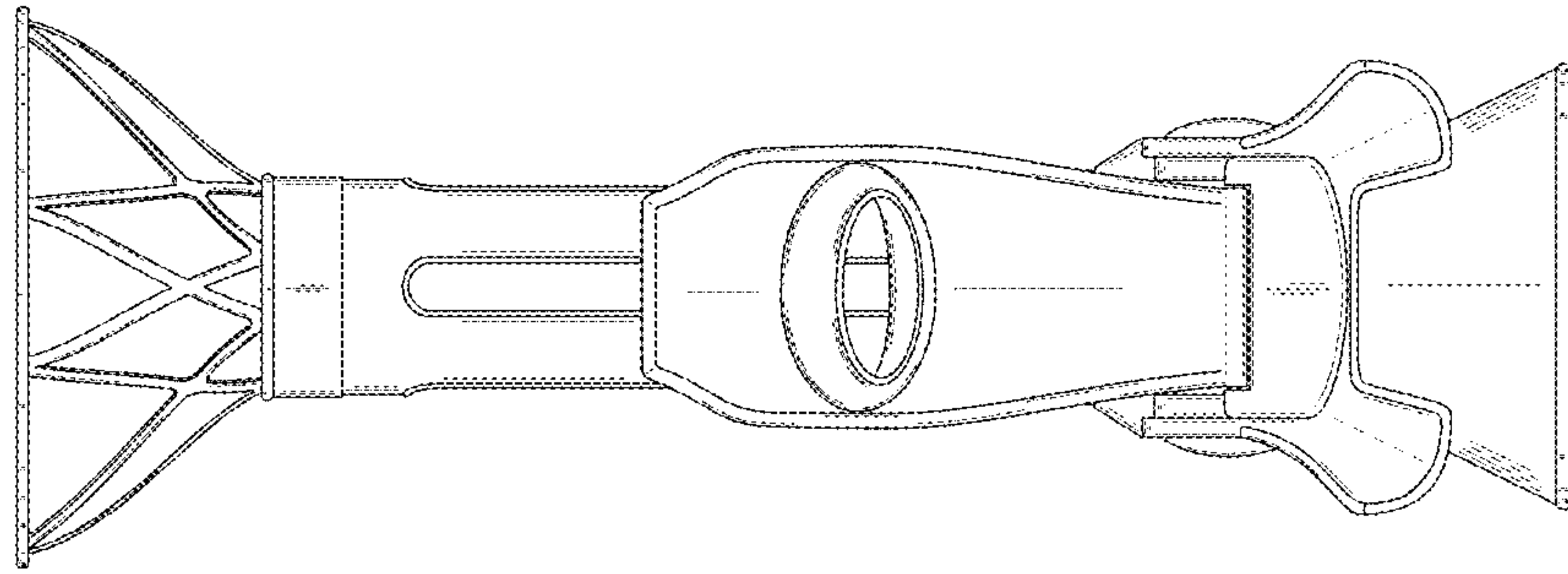


FIG. 2



*FIG. 3*





*FIG. 4*

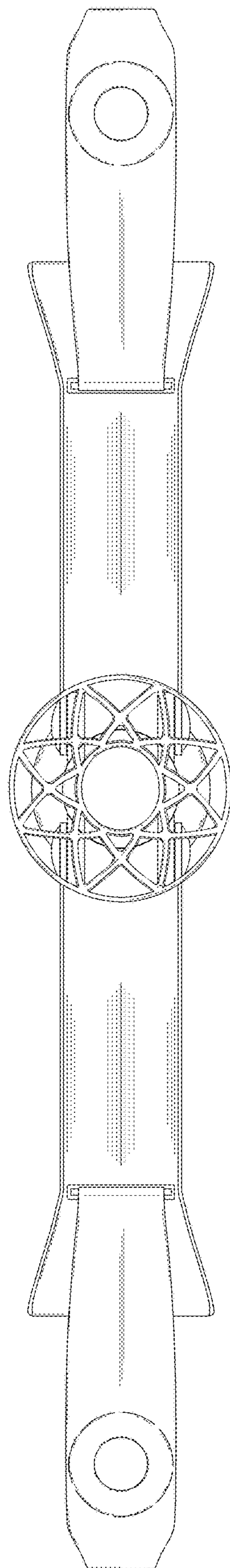


FIG. 5

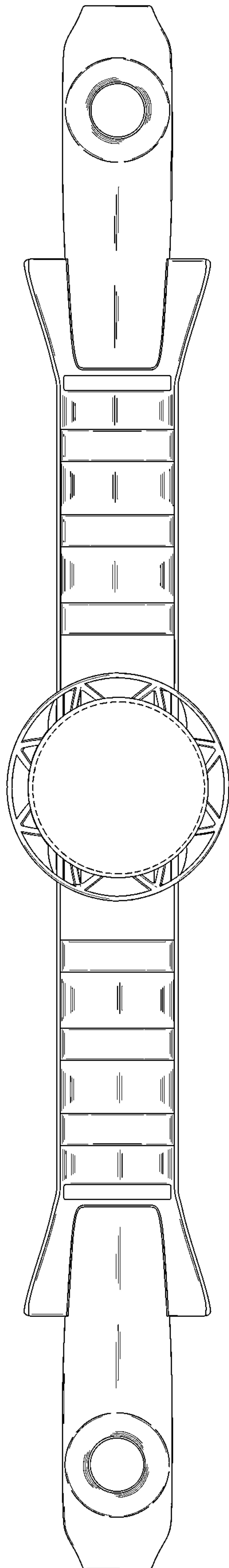


FIG. 6



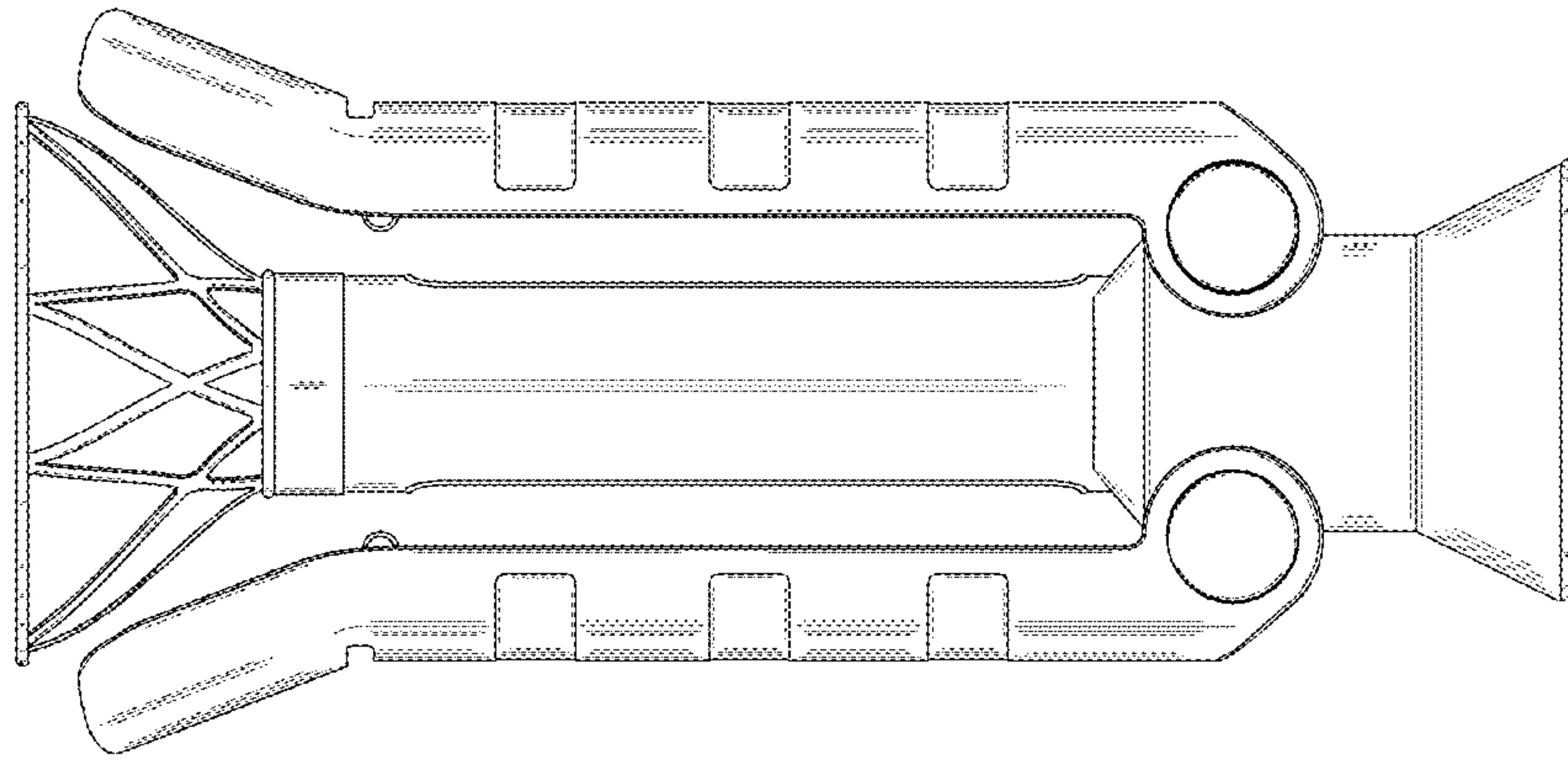


FIG. 7

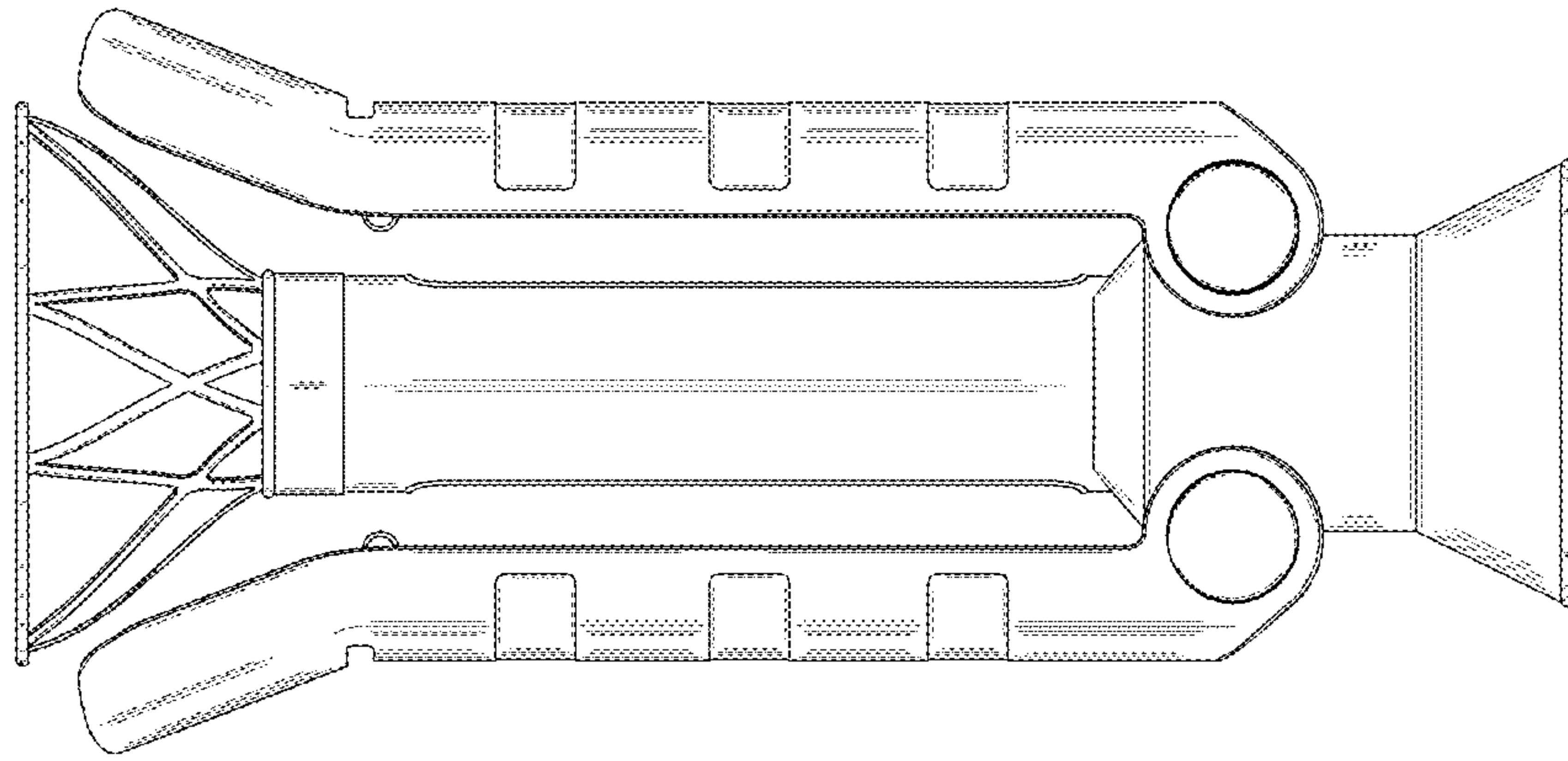
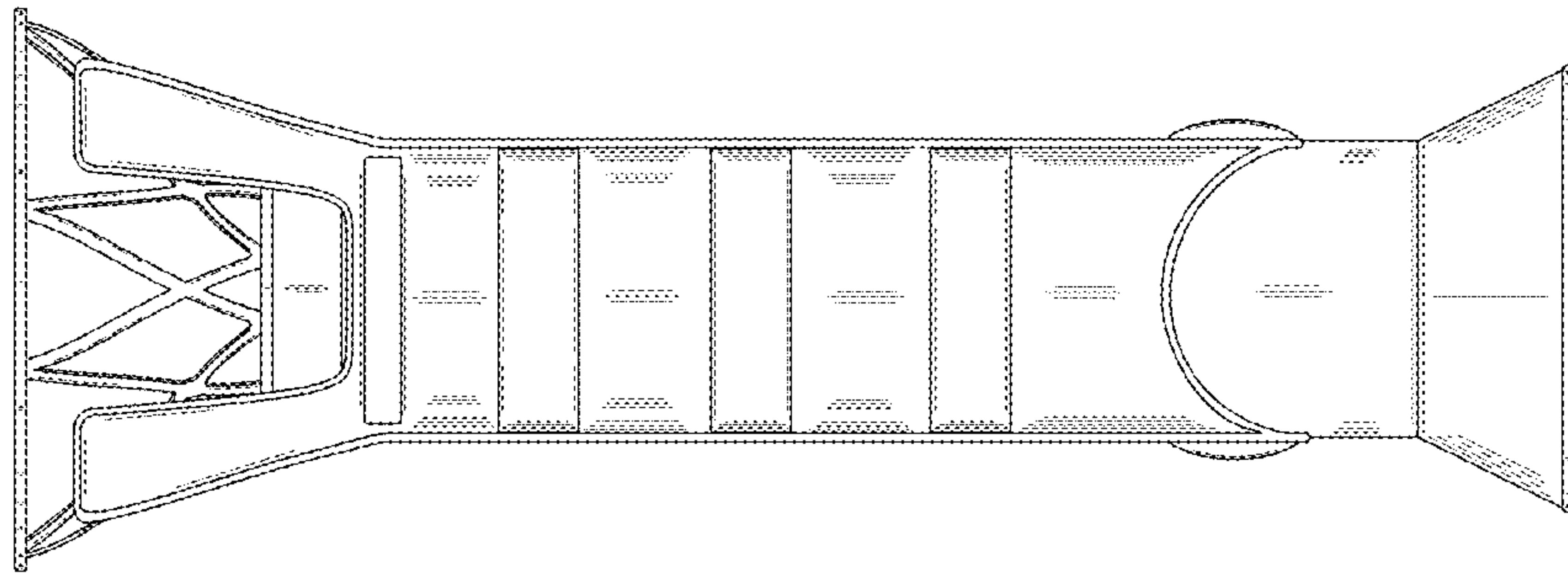
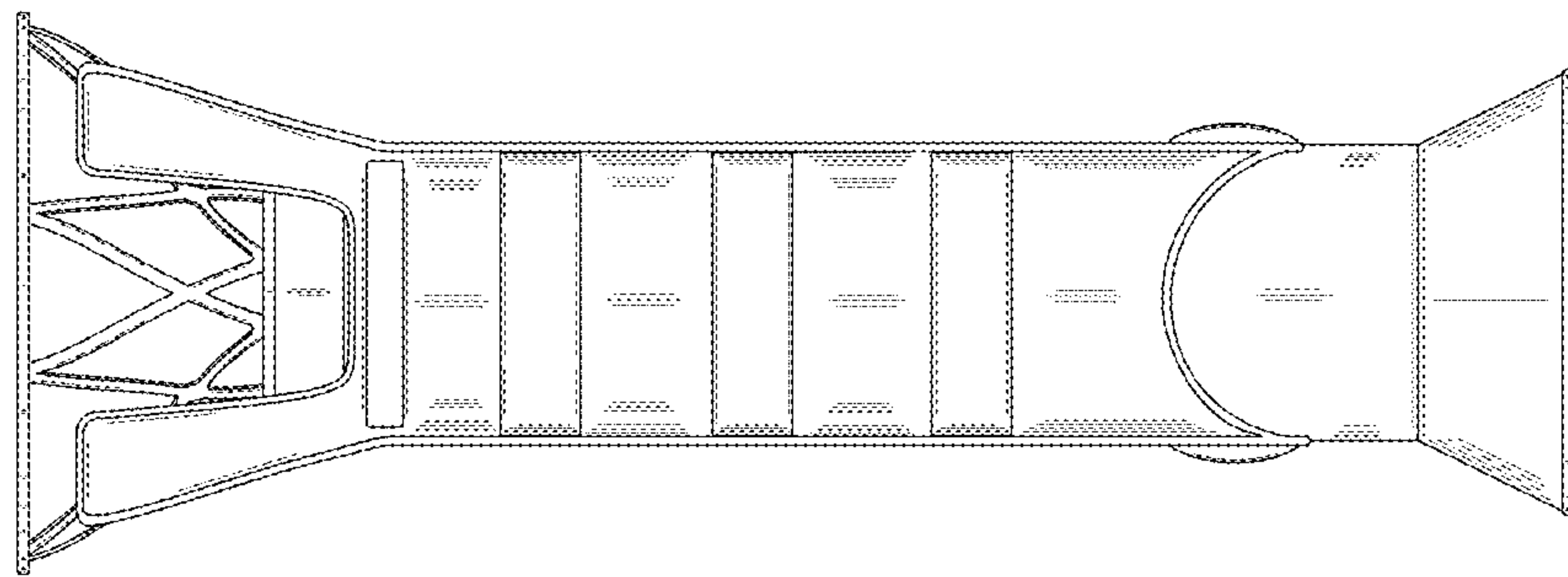


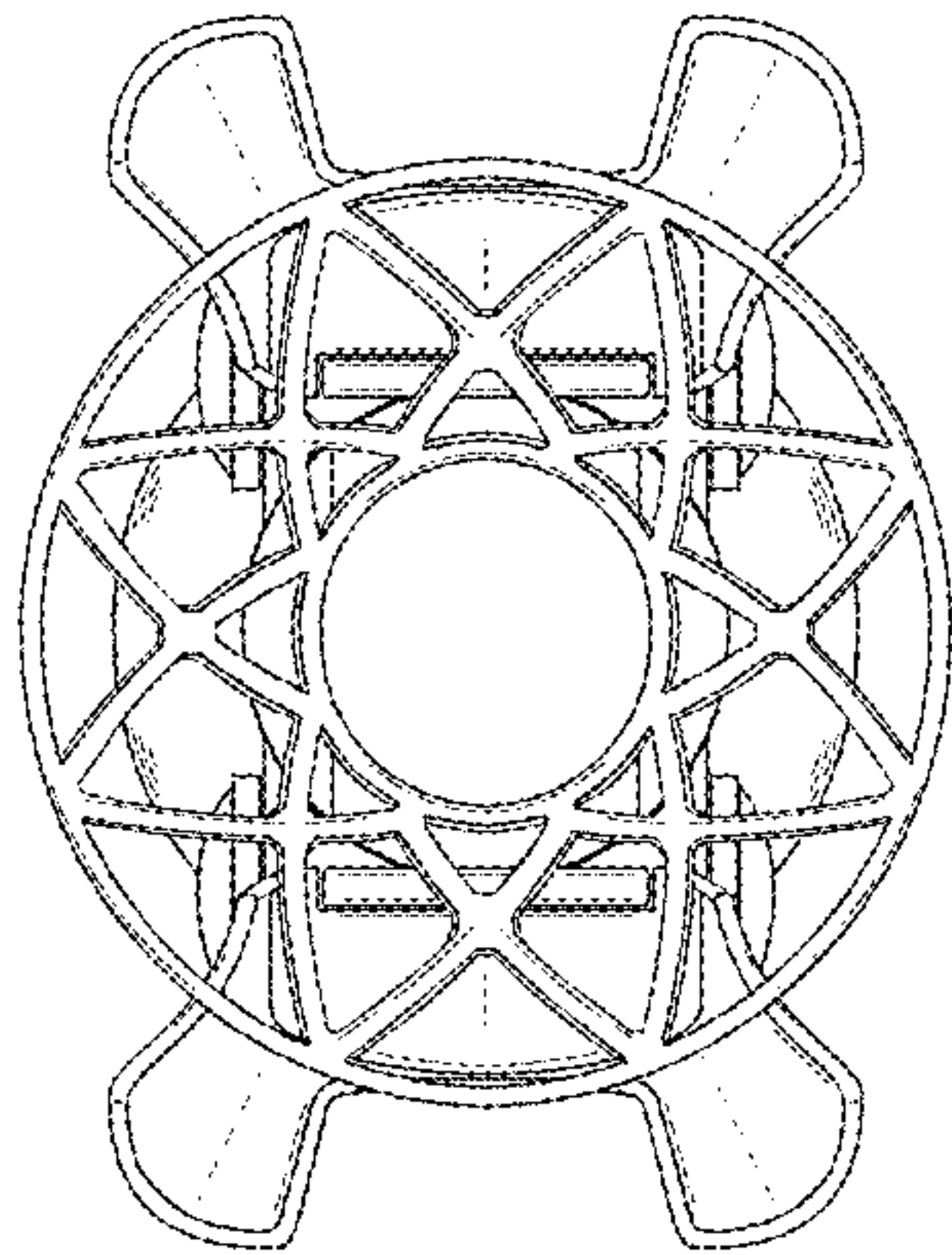
FIG. 8



*FIG. 9*



*FIG. 10*



*FIG. 11*