



US00D989895S

(12) **United States Design Patent** (10) **Patent No.:** **US D989,895 S**
Bekeris et al. (45) **Date of Patent:** **** Jun. 20, 2023**

(54) **JAW EXERCISE DEVICE**

OTHER PUBLICATIONS

(71) Applicant: **ViewPoint Ventures llc**, Newark, DE (US)
(72) Inventors: **Reinis Bekeris**, Riga (LV); **Dmitrii Vasiukov**, Riga (LV)
(73) Assignee: **ViewPoint Ventures LLC**, Newark, DE (US)

“Chisell 3.0 Review” May 10, 2021, Youtube, site visited Apr. 8, 2023: https://www.youtube.com/watch?v=9Hw2_CZAqiw (Year: 2021).*
“I Used Chisell (Jawline Exerciser) Every Day for 30 Days” Aug. 10, 2020, Youtube, site visited Apr. 8, 2023:<https://www.youtube.com/watch?v=IW4eNnBlmnQ> (Year: 2020).*
“Tool to Tone Your Face and Neck?” May 15, 2018, Youtube, site visited Apr. 10, 2023:<https://www.youtube.com/watch?v=3ykl9L3Mj8s> (Year: 2018).*

(**) Term: **15 Years**

* cited by examiner

(21) Appl. No.: **29/769,475**

Primary Examiner — Jack Reickel

(22) Filed: **Feb. 5, 2021**

Assistant Examiner — Salamah Jordan

(51) **LOC (14) Cl.** **21-02**

(74) *Attorney, Agent, or Firm* — GS2Law LLP

(52) **U.S. Cl.**
USPC **D21/692**

(57) **CLAIM**

(58) **Field of Classification Search**
USPC D24/180, 194; D21/525, 692, 662
CPC A63B 23/03; A63B 21/00; A61H 1/00;
A61H 1/02

The ornamental design for a jaw exercise device, as shown and described.

See application file for complete search history.

DESCRIPTION

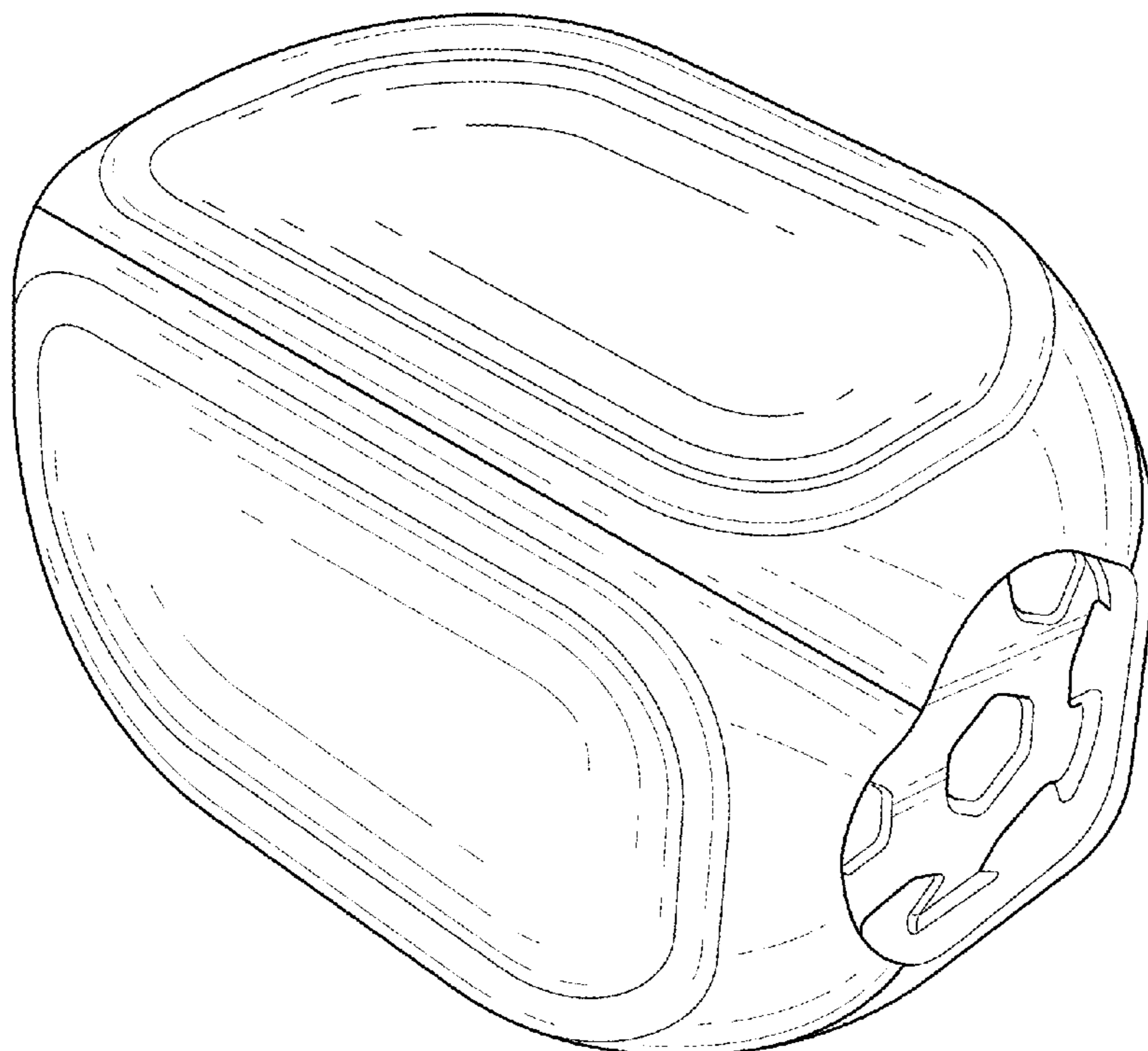
(56) **References Cited**

FIG. 1 is an isometric view of a jaw exercise device showing our new design;
FIG. 2 is another isometric view thereof;
FIG. 3 is a front elevational view thereof;
FIG. 4 is a rear elevational view thereof;
FIG. 5 is a right elevational view thereof;
FIG. 6 is a left side elevational view thereof;
FIG. 7 is a top plan view thereof; and,
FIG. 8 is a bottom plan view thereof showing my design.

U.S. PATENT DOCUMENTS

5,556,357	A *	9/1996	Hanna	A63B 23/032
D403,381	S *	12/1998	Hanna	D21/662
6,406,404	B1 *	6/2002	Chu	A63B 23/032
6,524,225	B1 *	2/2003	Arias	A63B 23/032
7,153,237	B2 *	12/2006	Norton	A63B 21/002
8,105,210	B2 *	1/2012	Seybold	A63B 23/032
8,376,912	B1 *	2/2013	Dedvukaj	A63B 21/028
D958,909	S *	7/2022	Moreland	D21/692

1 Claim, 5 Drawing Sheets



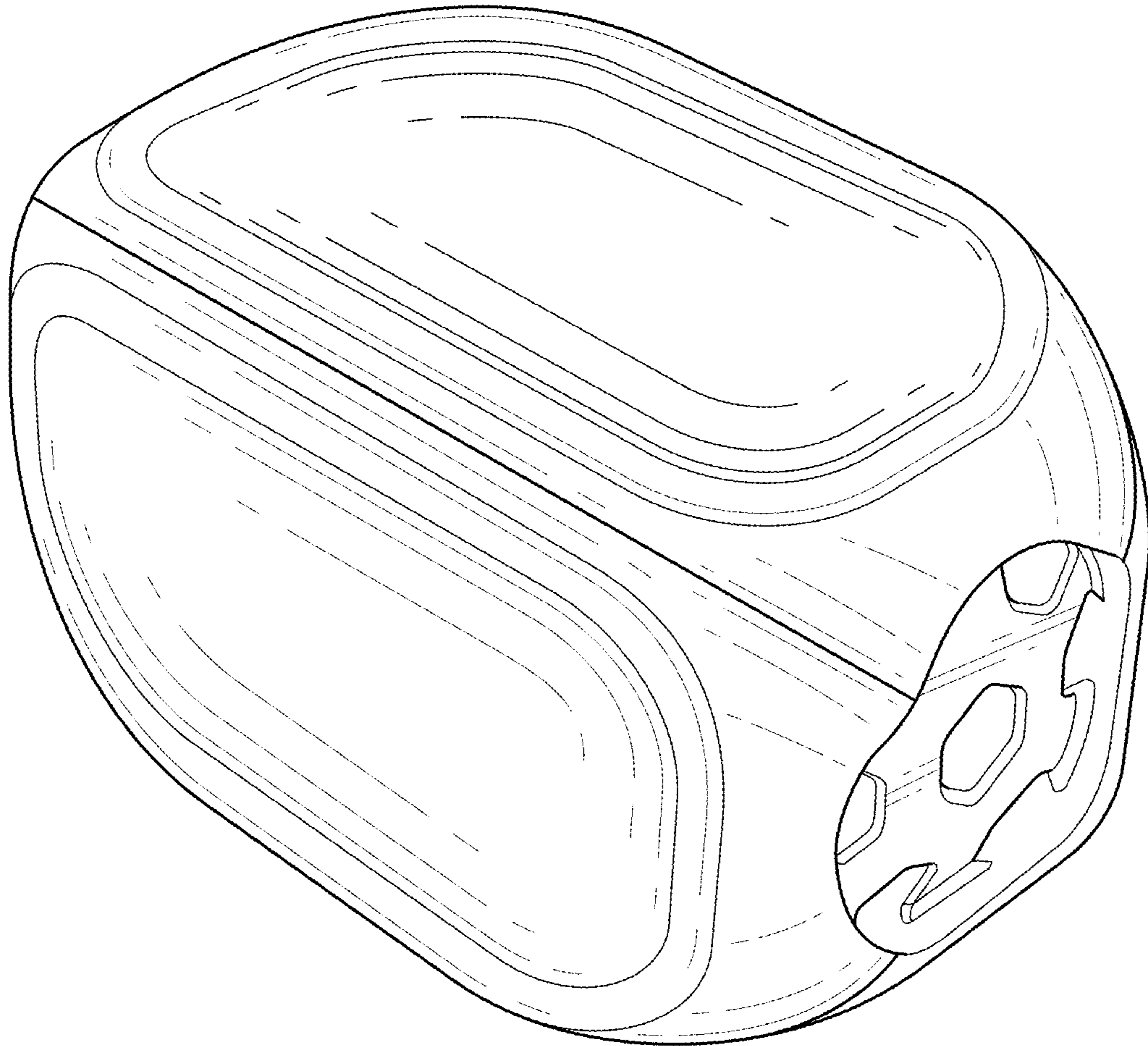


FIG. 1

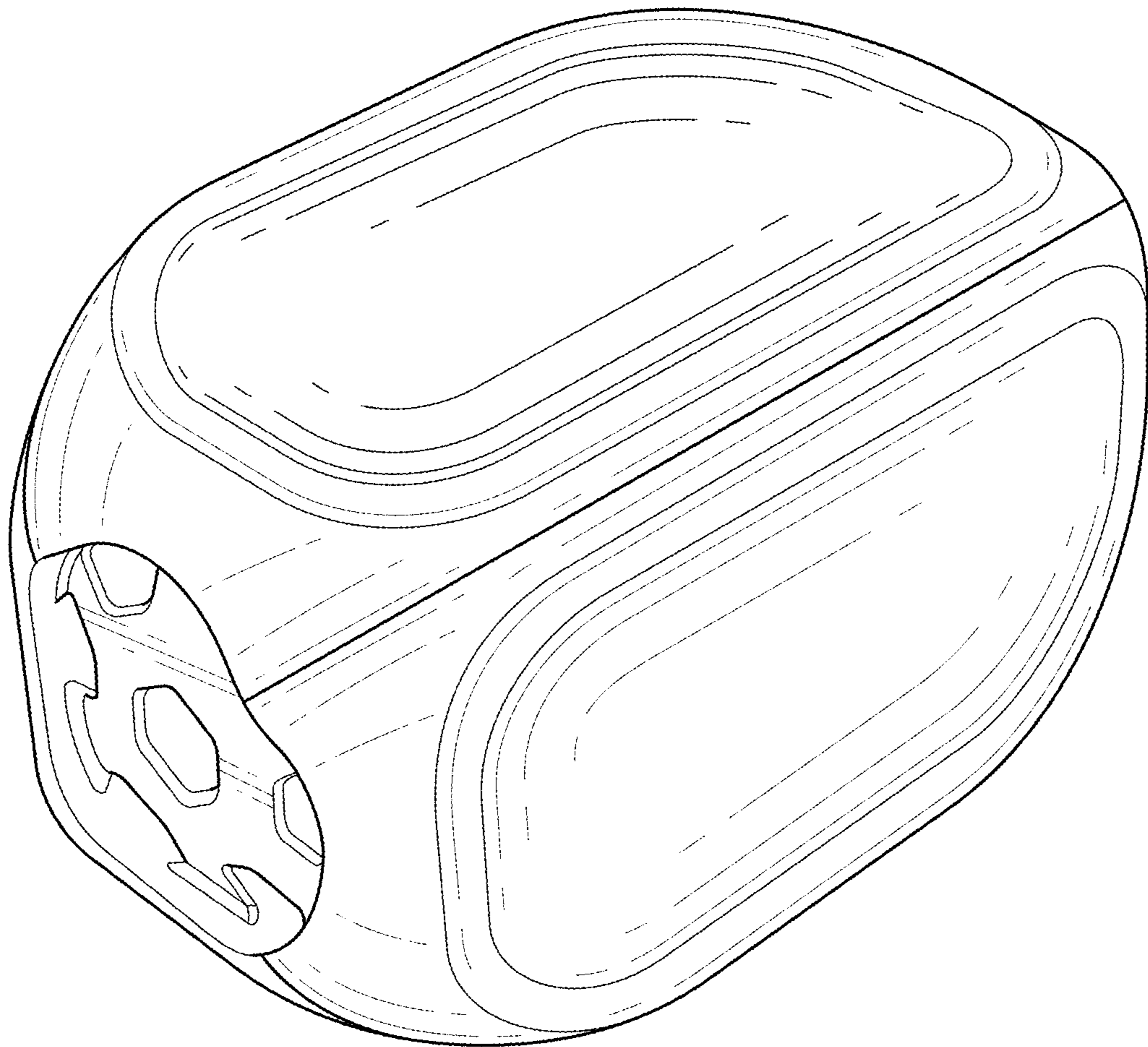


FIG. 2

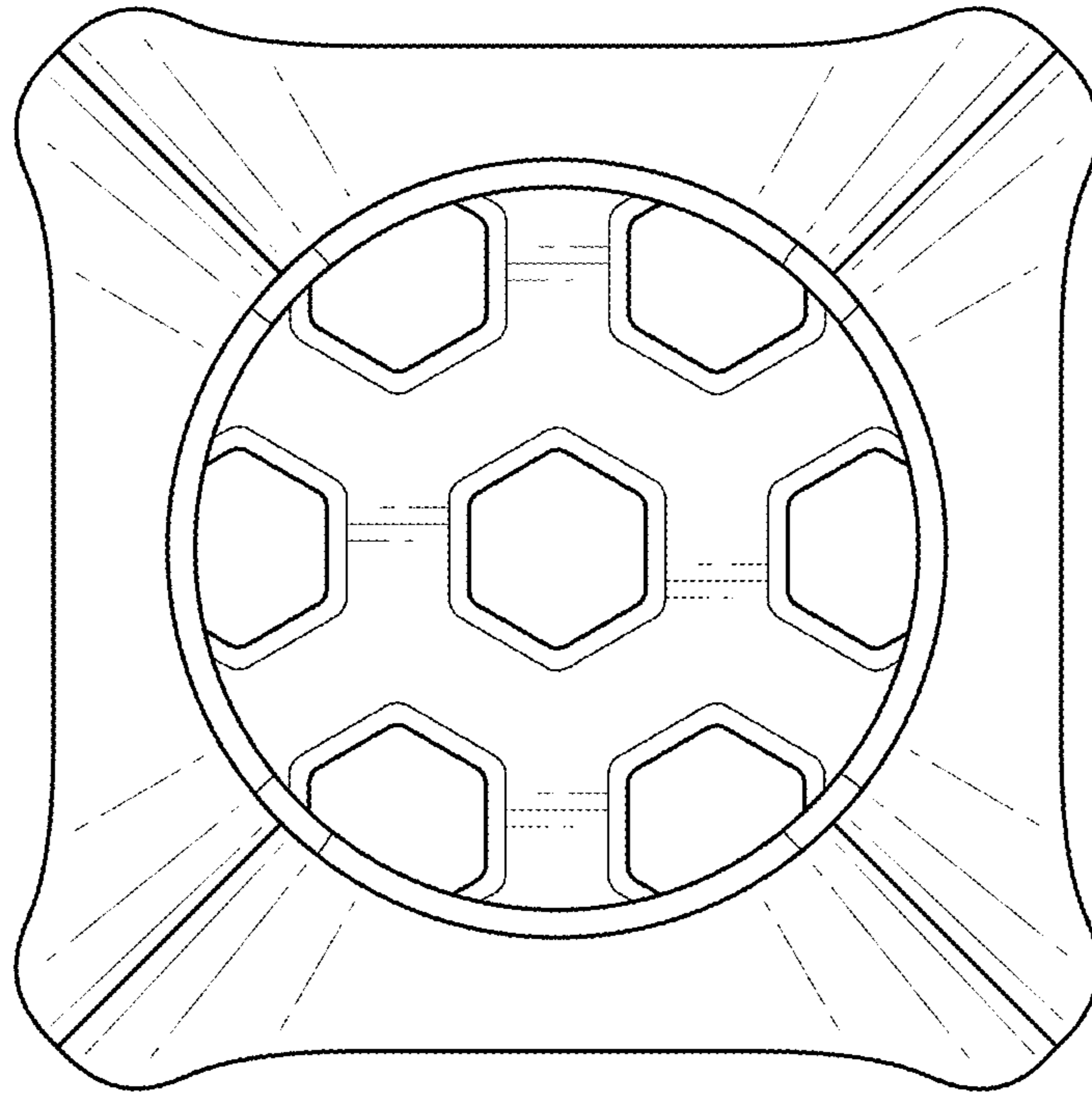


FIG. 3

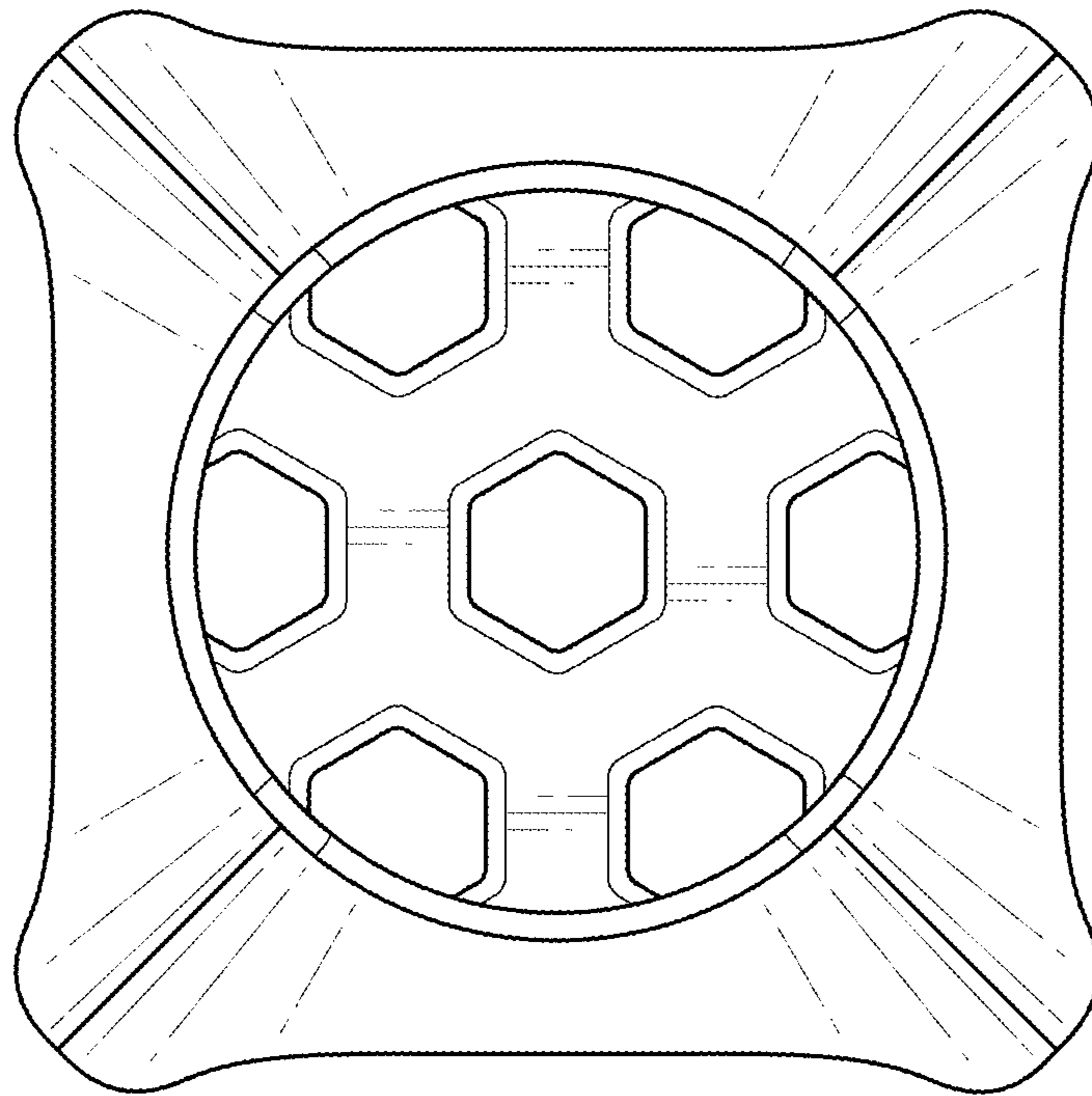


FIG. 4

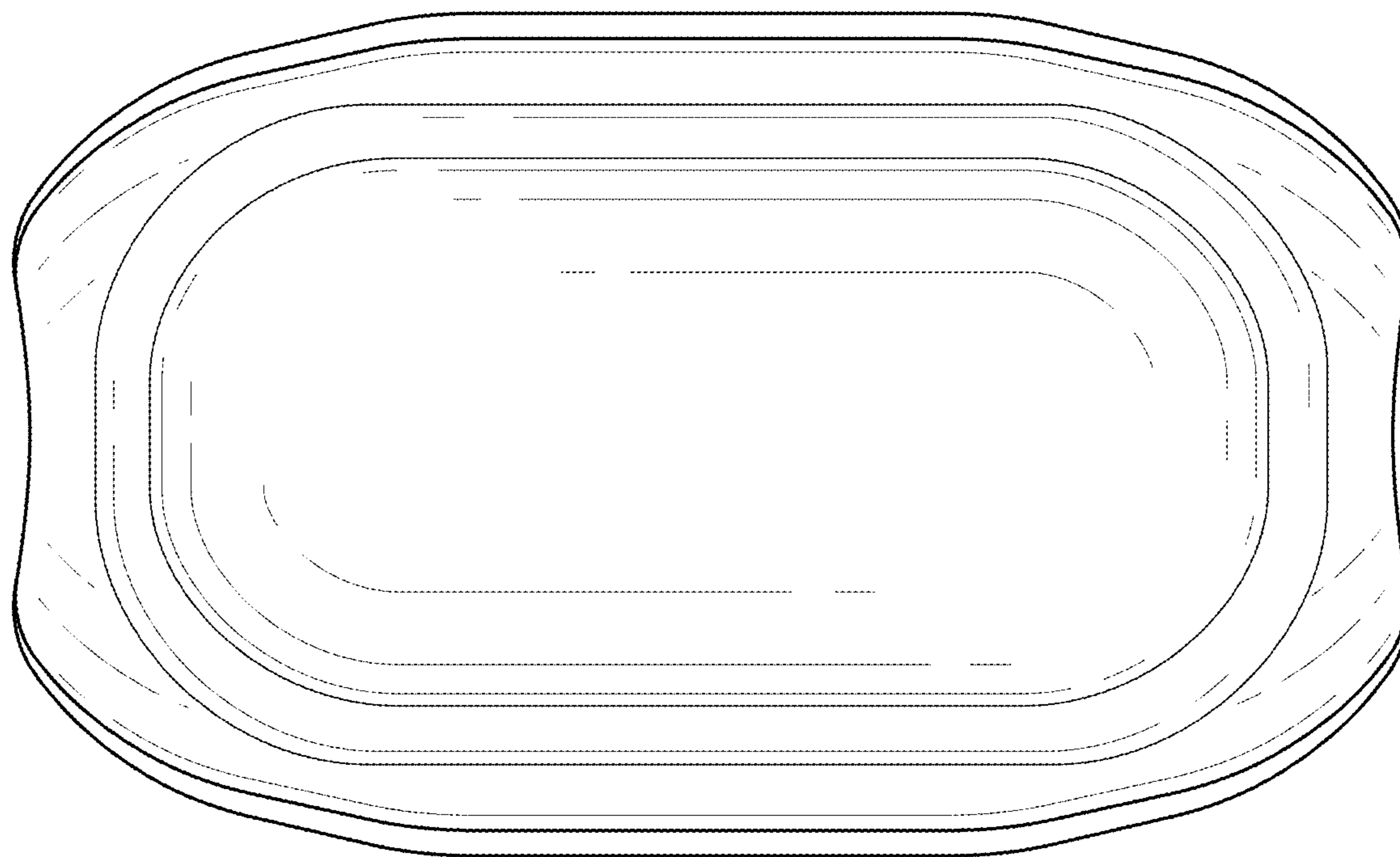


FIG. 5

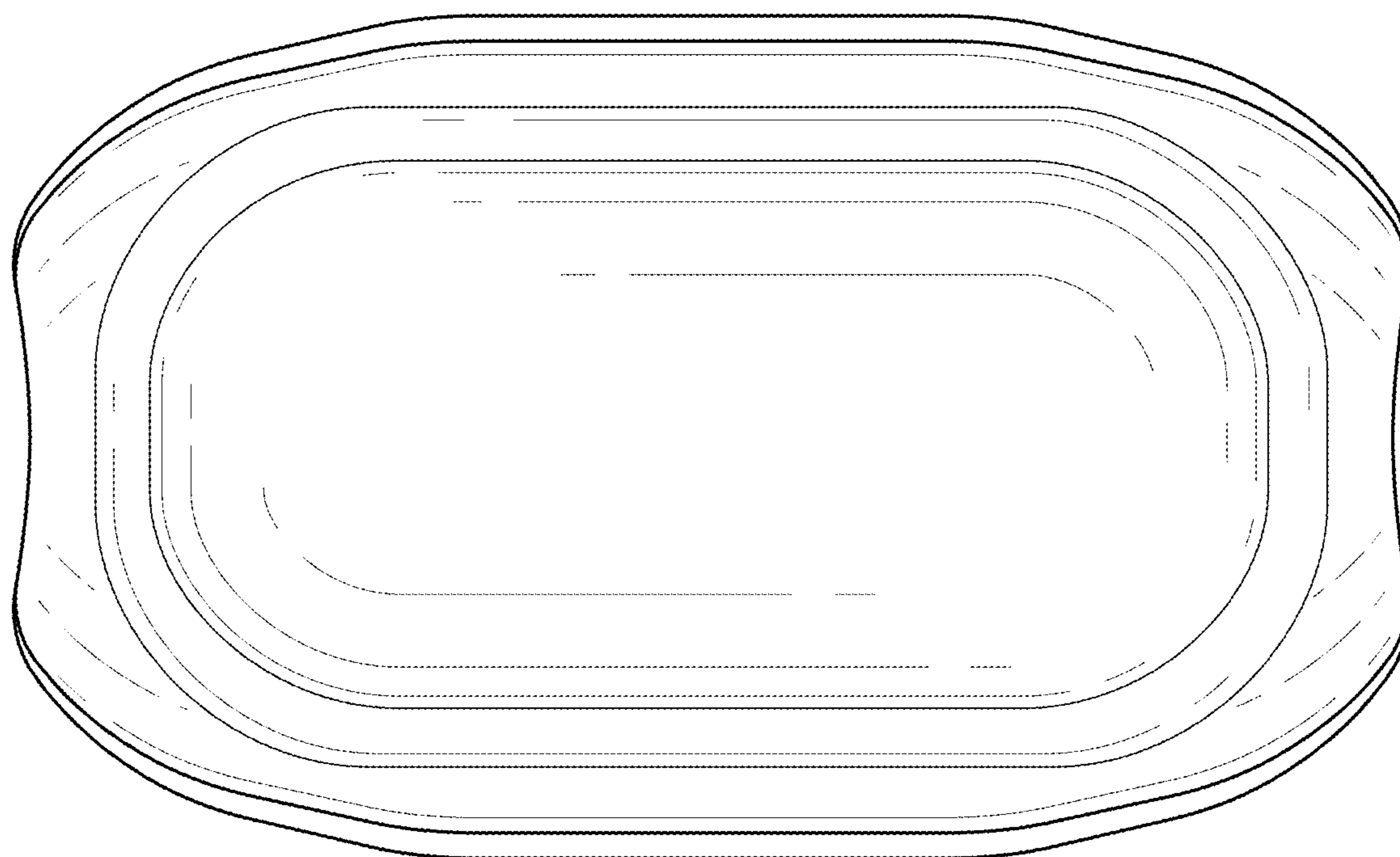


FIG. 6

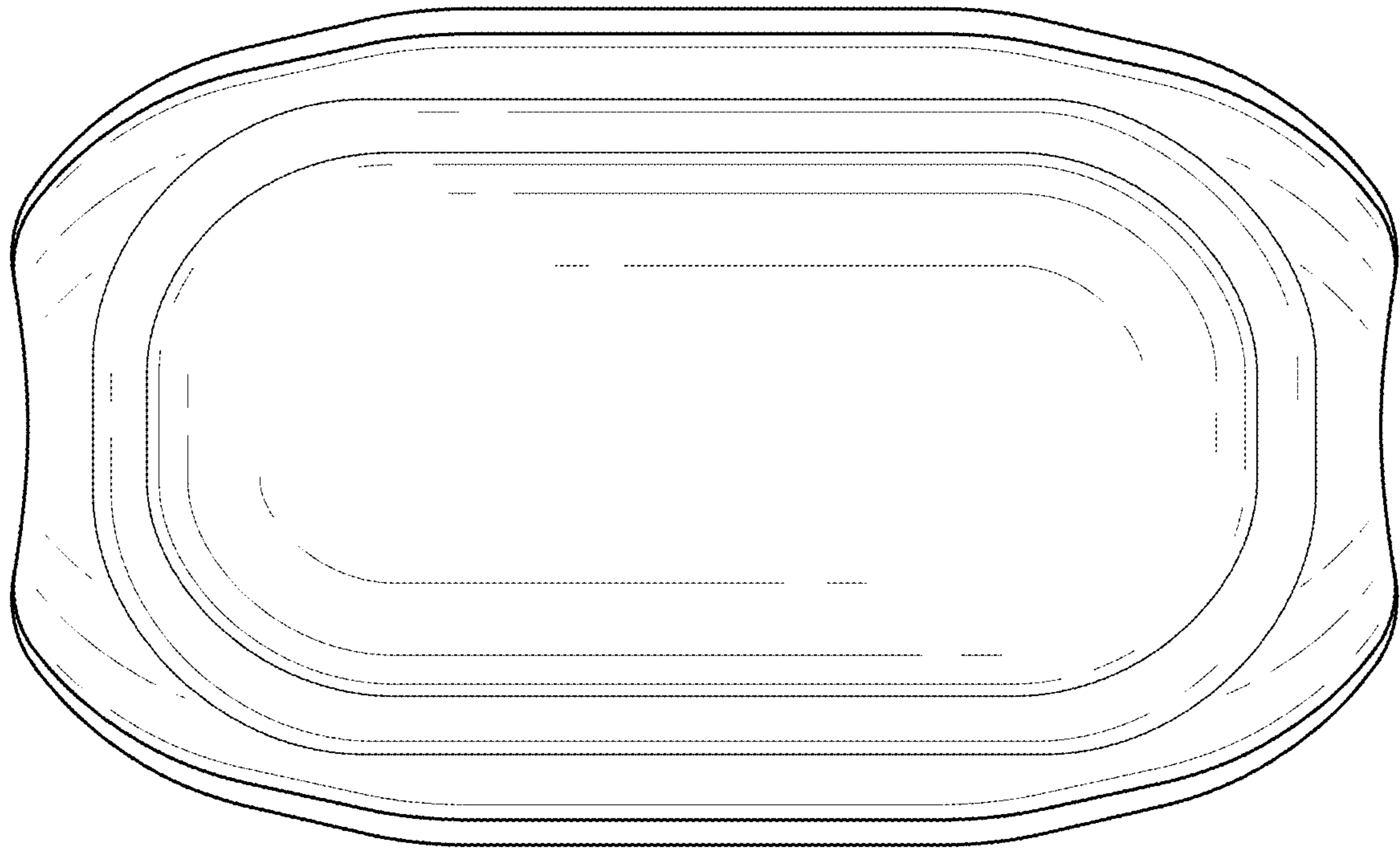


FIG. 7

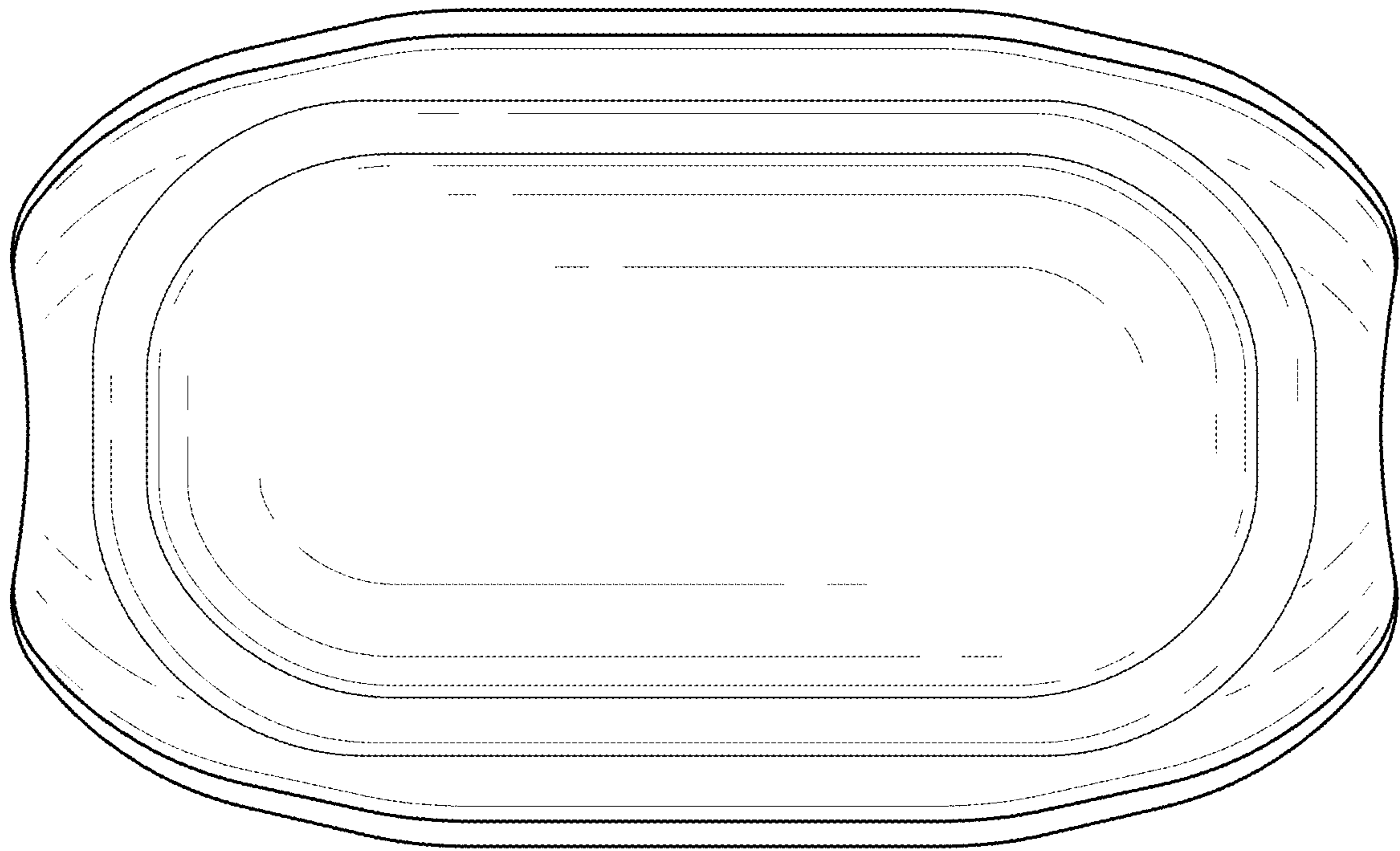


FIG. 8