



US00D989894S

(12) **United States Design Patent** (10) **Patent No.:** **US D989,894 S**  
**Hamer** (45) **Date of Patent:** **\*\* Jun. 20, 2023**

- (54) **SLIDING EXERCISE AND MEASUREMENT DEVICE** 4,522,392 A \* 6/1985 Torii ..... A63B 23/0488 482/128  
 4,619,454 A 10/1986 Walton  
 D335,512 S \* 5/1993 Gvoich ..... D21/662  
 5,260,870 A 11/1993 Tsuchiya  
 5,279,530 A \* 1/1994 Hess ..... A63B 21/154 482/79  
 (71) Applicant: **Gavin Edward Hamer**, Fort Myers, FL (US)  
 (72) Inventor: **Gavin Edward Hamer**, Fort Myers, FL (US) 5,518,484 A \* 5/1996 Bruckenstein ..... A63B 23/0488 482/131  
 (\*\*) Term: **15 Years** 6,042,523 A 3/2000 Graham  
 6,186,930 B1 \* 2/2001 Ignaczak ..... A63B 21/4035 482/141

(Continued)

- (21) Appl. No.: **29/867,793**  
 (22) Filed: **Nov. 8, 2022**  
 (51) **LOC (14) Cl.** ..... **21-02**  
 (52) **U.S. Cl.**  
 USPC ..... **D21/668**; D21/686  
 (58) **Field of Classification Search**  
 USPC ..... D21/668, 685, 686, 692, 694; 482/51, 482/70, 71, 79, 92, 93, 94, 121, 123, 128, 482/130, 131, 134, 141  
 CPC ..... A63B 22/203; A63B 23/0488; A63B 21/0552; A63B 21/4045; A63B 2210/50; A63B 21/0428; A63B 2208/0204; A63B 23/03541; A63B 2022/003; A63B 2022/0028; A63B 21/0442; A63B 21/4034; A63B 23/0417  
 See application file for complete search history.

*Primary Examiner* — Ryan Harvey  
 (74) *Attorney, Agent, or Firm* — QuickPatents, LLC; Kevin Prince

(57) **CLAIM**

The ornamental design for a sliding exercise and measurement device, as shown and described.

**DESCRIPTION**

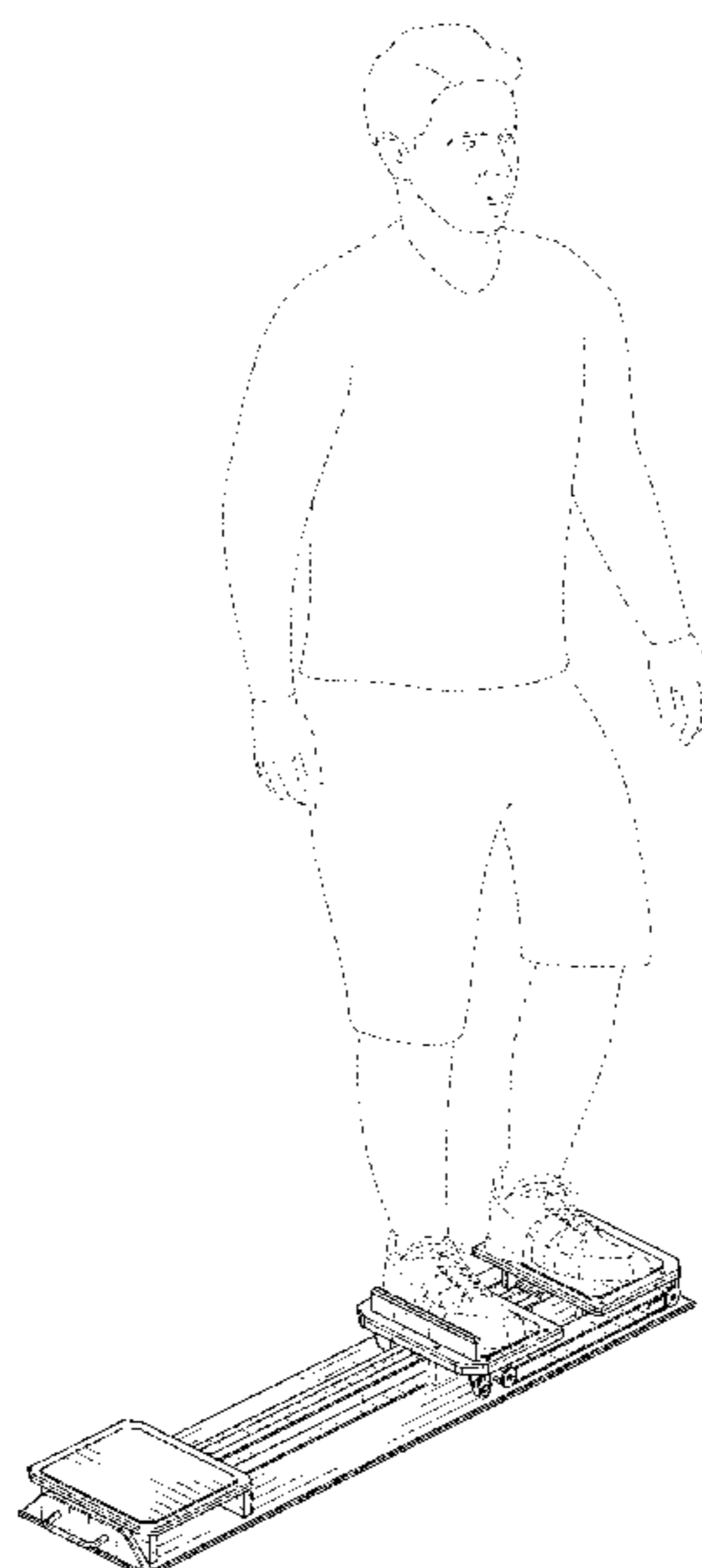
FIG. 1 is a top perspective view of a sliding exercise and measurement device, showing my new design in use with a foot trolley in a retracted position;  
 FIG. 2 is a top perspective view thereof, illustrated with the foot trolley in an extended position;  
 FIG. 3 is a front perspective view of FIG. 2;  
 FIG. 4 is a rear perspective view of FIG. 1;  
 FIG. 5 is a top plan view of FIG. 4;  
 FIG. 6 is a bottom plan view of FIG. 4;  
 FIG. 7 is a front elevational view of FIG. 4;  
 FIG. 8 is a rear elevational view of FIG. 4; and,  
 FIG. 9 is a left-side elevational view of FIG. 4, the right-side elevational view being a mirror image thereof.  
 In the drawings, the evenly-spaced broken line showing of portions of the sliding exercise and measurement device form no part of the claimed design; the dash-dot-dash lines depict environment and form no part thereof.

(56) **References Cited**

U.S. PATENT DOCUMENTS

- 3,584,871 A 6/1971 Kelmon, Jr.  
 3,791,645 A \* 2/1974 Stelma ..... A63B 69/18 482/71  
 4,111,417 A \* 9/1978 Gardner ..... A63B 23/03533 482/130  
 4,340,214 A \* 7/1982 Schutzer ..... A63B 22/203 482/123  
 4,506,884 A \* 3/1985 Hankin ..... A63B 23/0488 482/131

**1 Claim, 8 Drawing Sheets**



(56)

References Cited

U.S. PATENT DOCUMENTS

6,280,366 B1 *	8/2001	Hsieh	.....	A63B 21/4045	9,072,933 B1 *	7/2015	Huster	.....	A63B 23/03575
				482/130	9,474,675 B2 *	10/2016	Hansen	.....	A61H 1/0244
6,368,254 B1 *	4/2002	Wall	.....	A63B 21/055	10,201,729 B2 *	2/2019	Bailar	.....	A63B 22/203
				482/122	10,220,244 B2	3/2019	Lagree		
6,514,180 B1 *	2/2003	Rawls	.....	A63B 21/005	10,286,253 B1	5/2019	Johnson		
				482/70	10,456,618 B2 *	10/2019	Carnago	.....	A63B 21/0428
6,837,838 B2	1/2005	List			10,518,125 B2	12/2019	Janowski		
7,125,367 B1 *	10/2006	Stearns	.....	A63B 23/1245	10,688,332 B2 *	6/2020	Carnago	.....	A63B 22/203
				482/141	10,765,912 B2	9/2020	Summers		
7,125,369 B2	10/2006	Endelman			10,828,533 B2	11/2020	Hyde		
7,134,987 B2 *	11/2006	Goldstein	.....	A63B 21/4045	10,850,158 B2	12/2020	Lagree		
				482/141	10,953,266 B2	3/2021	Leopoldo da Camara Filho		
D550,312 S *	9/2007	Summers	.....	D21/668	11,020,627 B1	6/2021	Lagree		
7,294,100 B2 *	11/2007	Bull	.....	A63B 23/1263	11,141,620 B2	10/2021	Robinson		
				482/70	11,161,001 B1	11/2021	Lagree		
7,438,673 B1 *	10/2008	Jones	.....	A63B 23/0488	11,273,340 B2 *	3/2022	Hohl	.....	A63B 26/003
				482/907	11,351,415 B1 *	6/2022	Alao	.....	A63B 23/0488
7,641,603 B2 *	1/2010	Lacher	.....	A63B 22/203	11,395,936 B1	7/2022	Lagree		
				482/134	11,433,274 B1	9/2022	Lagree		
7,645,218 B2 *	1/2010	Potok	.....	A63B 23/1245	2001/0036885 A1	11/2001	Castellot		
				482/141	2002/0151417 A1 *	10/2002	List	.....	A63B 21/169
7,677,988 B2	3/2010	McMillan							482/146
D623,244 S *	9/2010	Hoffman	.....	D21/668	2003/0216230 A1	11/2003	Wang		
D624,135 S *	9/2010	Tsai	.....	D21/668	2004/0053752 A1 *	3/2004	Yang	.....	A63B 22/203
7,798,943 B1 *	9/2010	Tsai	.....	A63B 22/0005					482/70
				482/121	2005/0215401 A1 *	9/2005	Wilson	.....	A63B 23/03533
D626,186 S *	10/2010	Tsai	.....	D21/668					482/141
7,833,139 B1	11/2010	Endelman			2007/0117693 A1	5/2007	Ilioi		
7,850,579 B2	12/2010	Whitall			2010/0016131 A1 *	1/2010	Hoffman	.....	A63B 21/055
7,892,152 B1	2/2011	Teng							482/121
7,951,050 B2 *	5/2011	Raumann	.....	A61H 15/00	2010/0062912 A1 *	3/2010	Summers	.....	A63B 23/03541
				482/79					482/94
7,981,005 B1 *	7/2011	Tsai	.....	A63B 23/0488	2011/0021325 A1 *	1/2011	Summers	.....	A63B 22/203
				482/70					482/70
8,641,585 B2	2/2014	LaGree			2012/0258843 A1 *	10/2012	Summers	.....	A63B 21/4033
8,702,539 B2 *	4/2014	Sidley	.....	A63B 21/4045					482/93
				482/79	2013/0178343 A1 *	7/2013	Lalaoua	.....	A63B 21/0414
8,894,551 B2	11/2014	Kerdjoudj							482/121
D719,223 S *	12/2014	Tang	.....	D21/662	2013/0267389 A1 *	10/2013	Raumann	.....	A63B 22/0015
D722,349 S *	2/2015	Smyth	.....	D21/694					482/92
9,022,909 B2	5/2015	Kermath			2014/0011645 A1	1/2014	Johnson		
9,061,191 B2 *	6/2015	Sidley	.....	A63B 23/0482	2014/0309091 A1	10/2014	Tang		
					2017/0340947 A1	11/2017	Lagree		
					2022/0023714 A1	1/2022	Holman		

\* cited by examiner

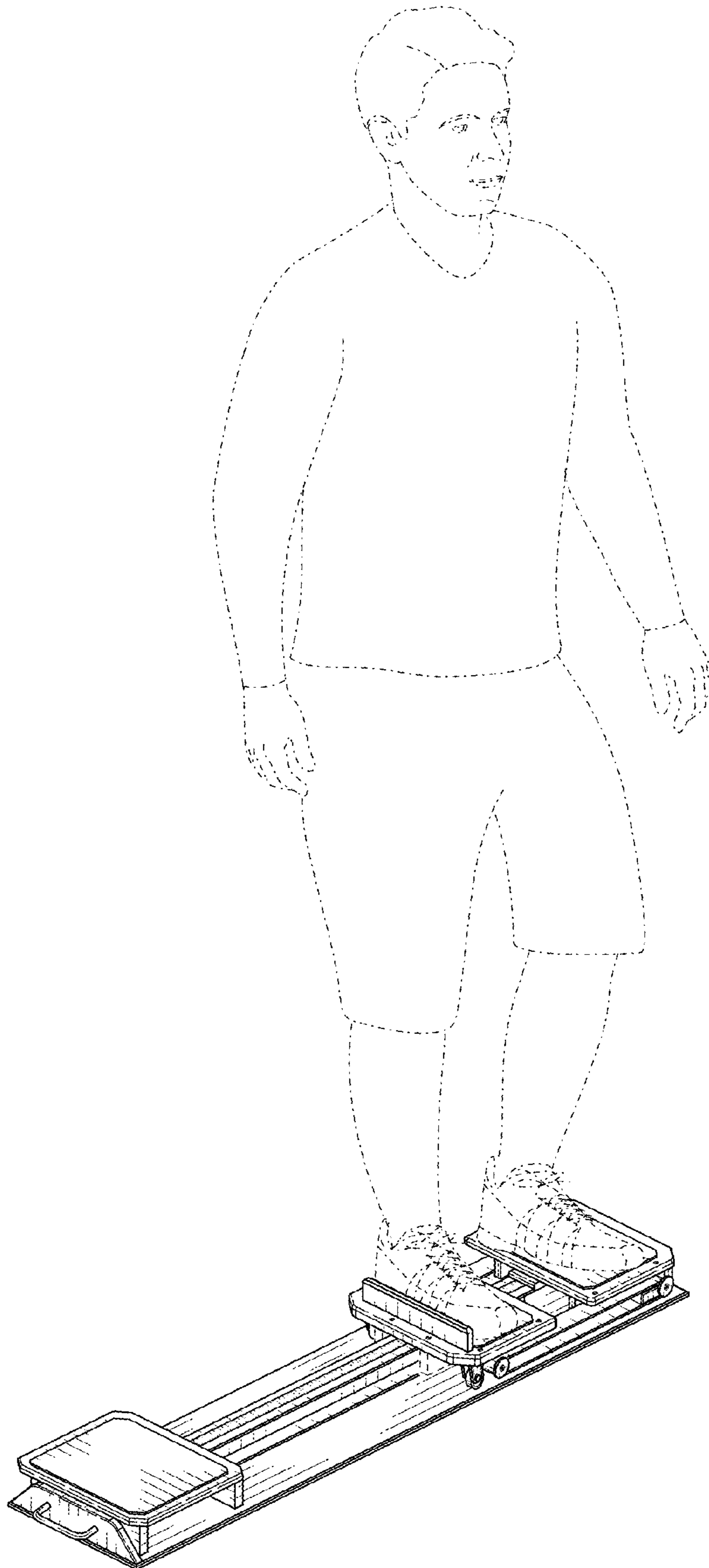


FIG. 1

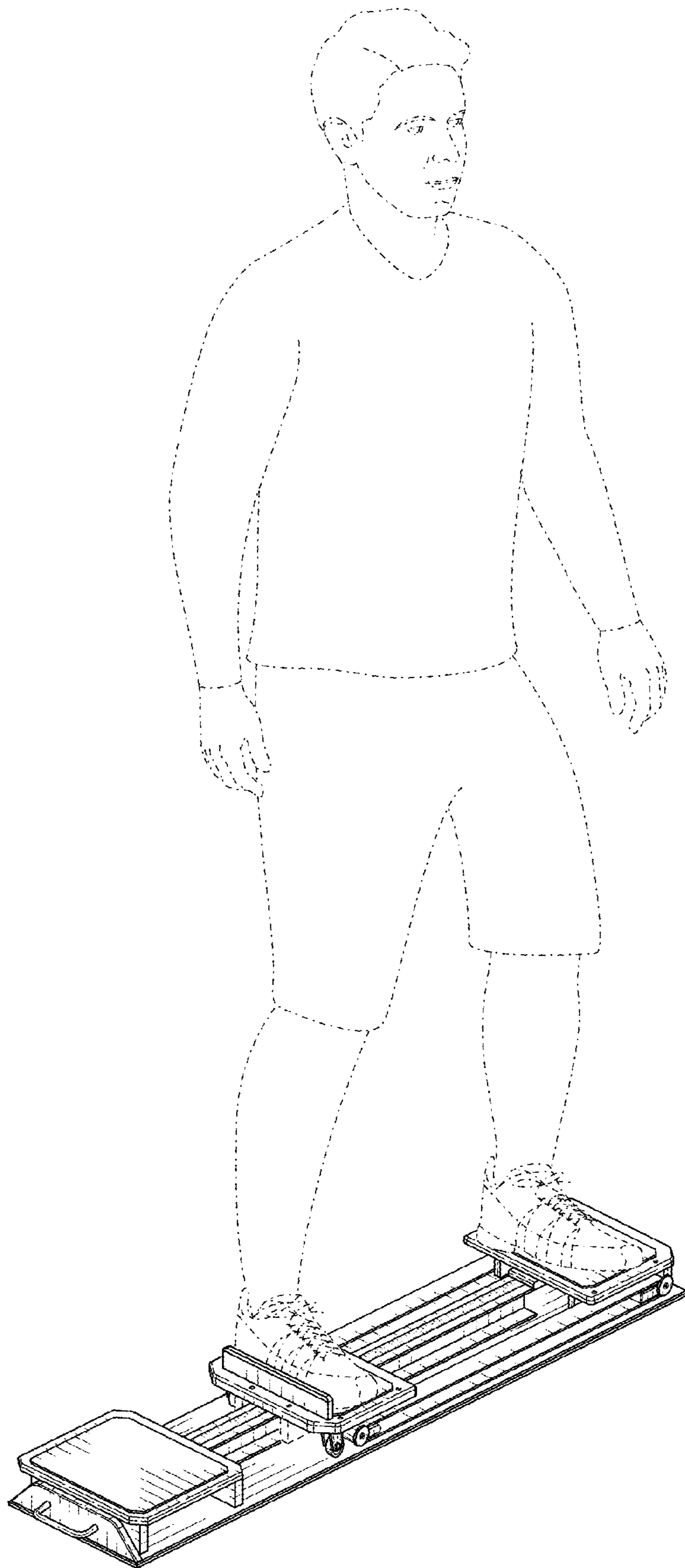


FIG. 2

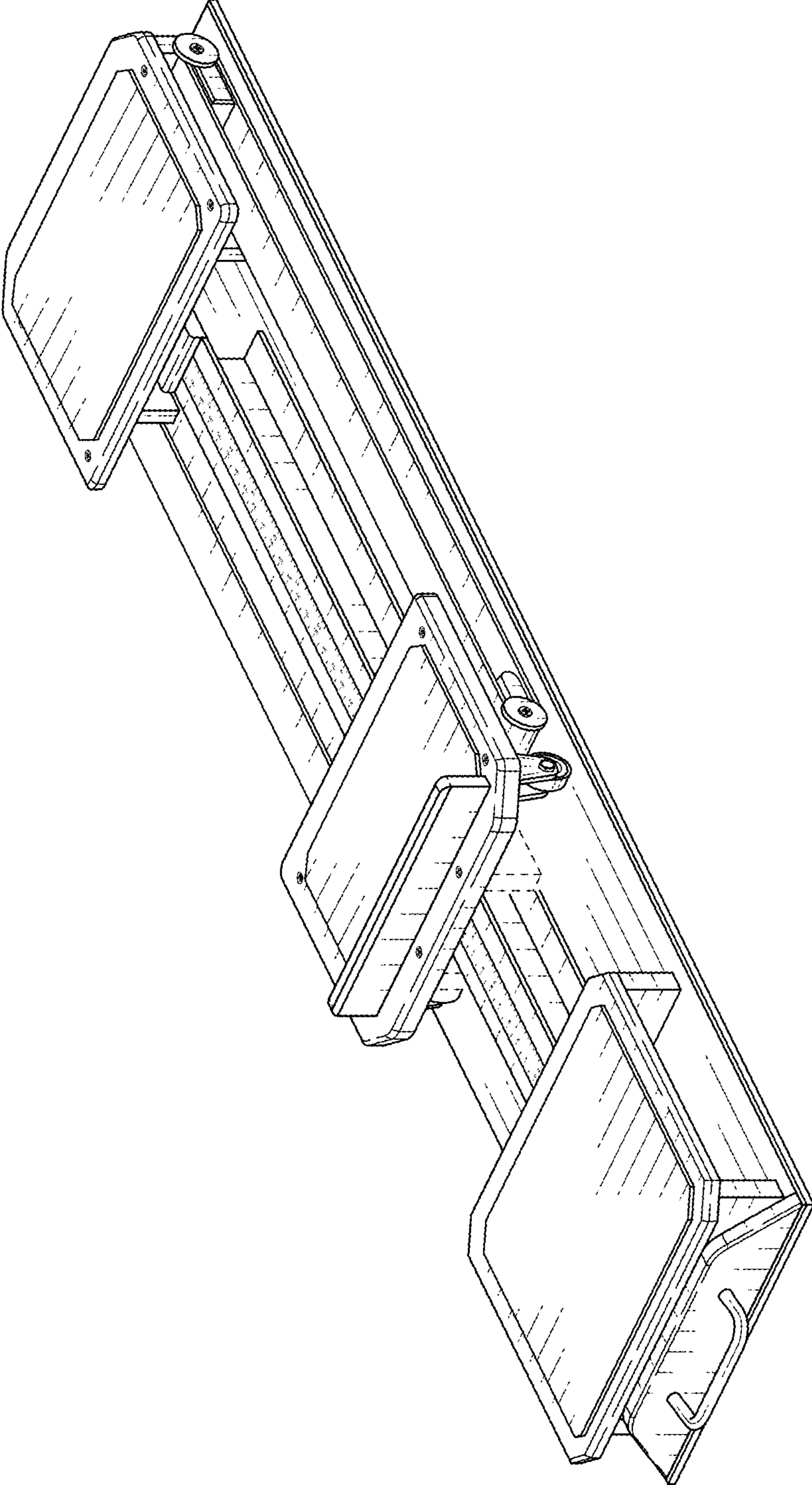


FIG. 3

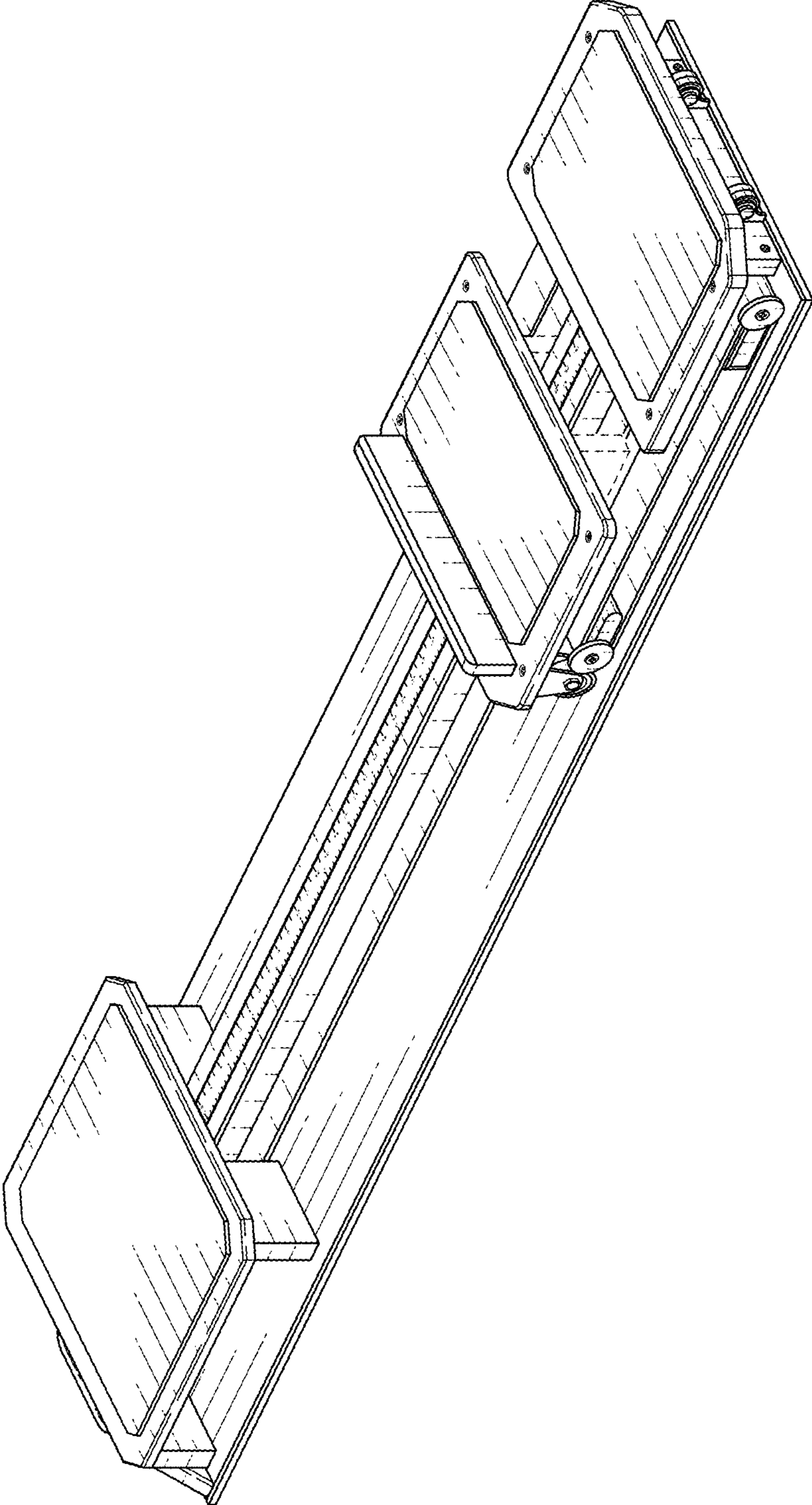


FIG. 4

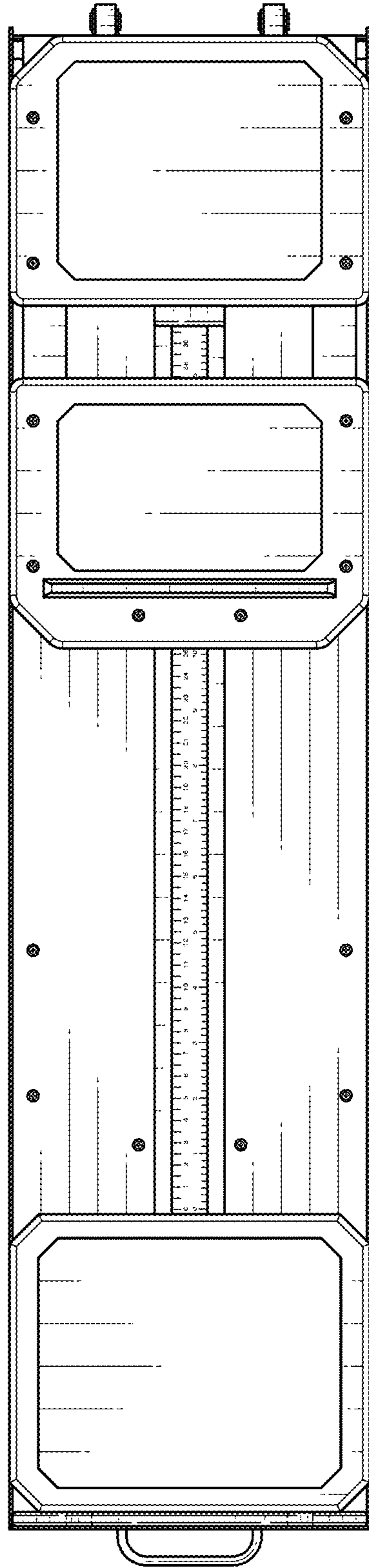


FIG. 5

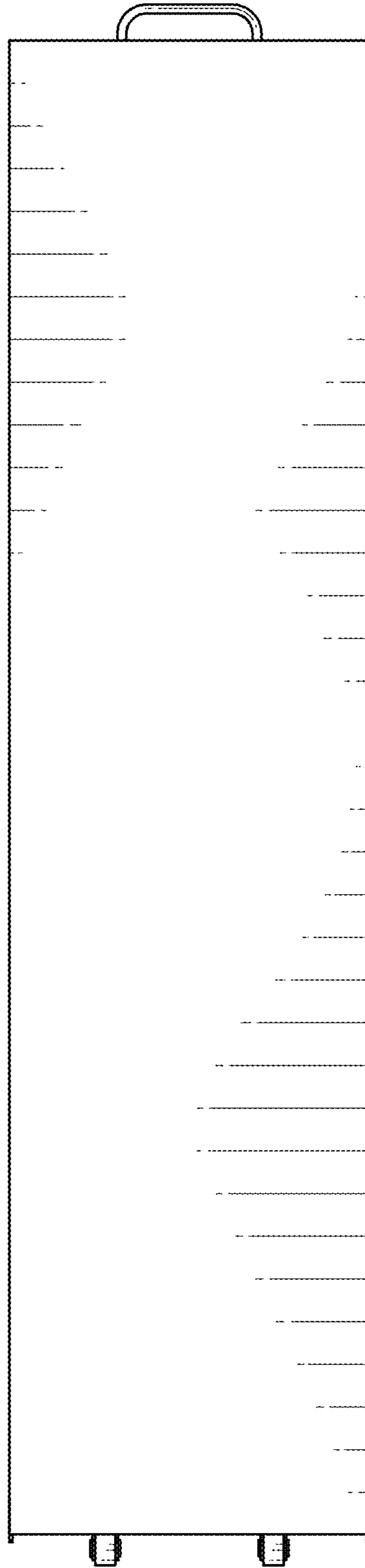


FIG. 6



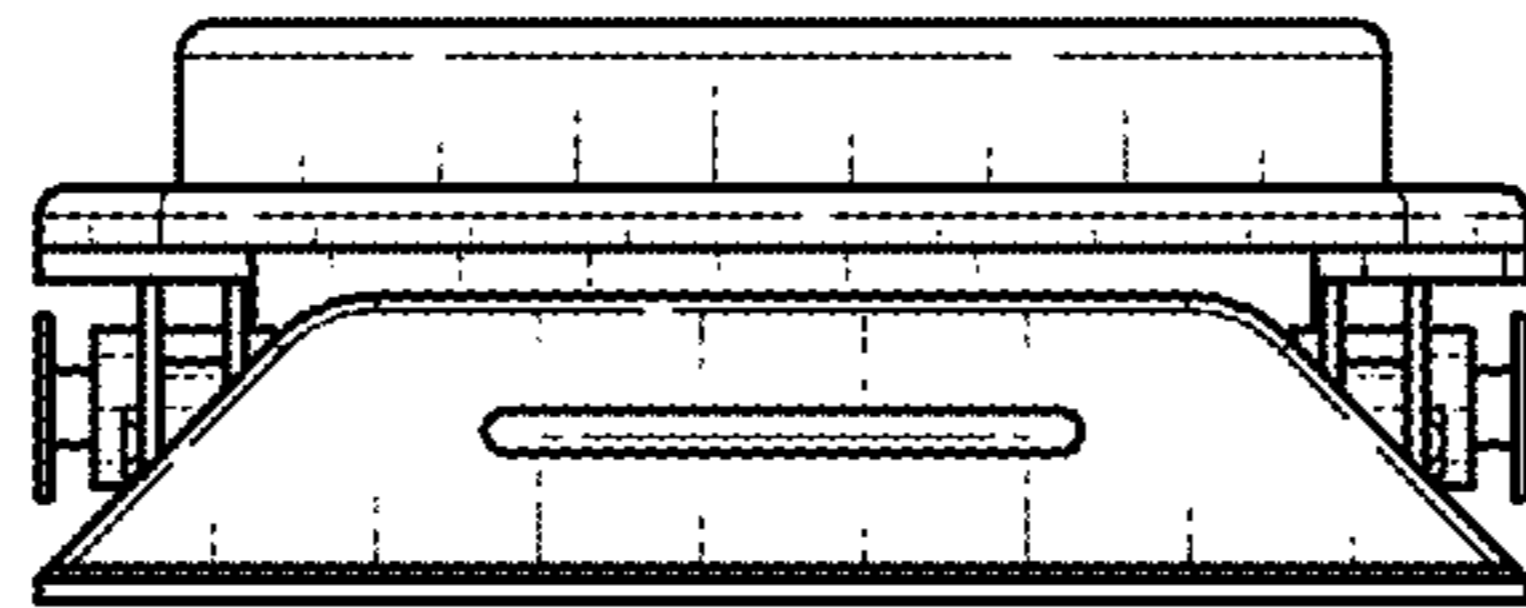


FIG. 7

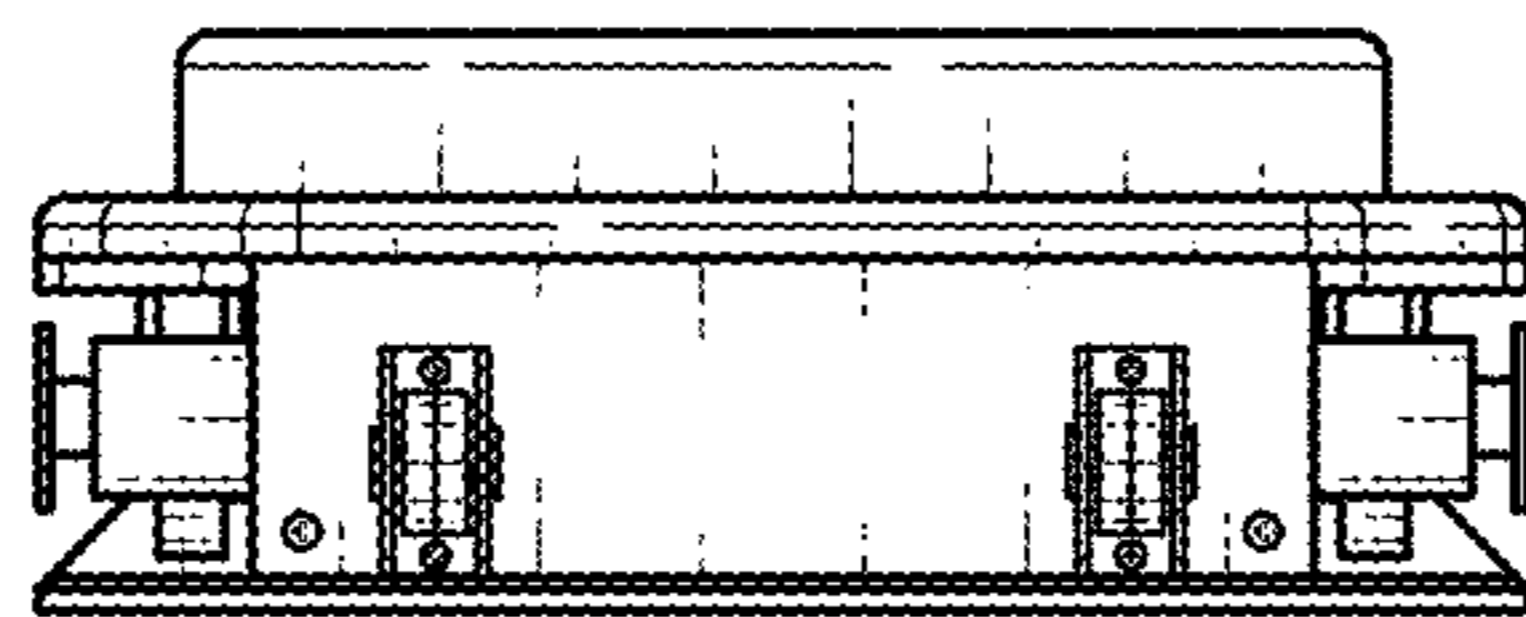


FIG. 8



FIG. 9