



US00D989893S

(12) **United States Design Patent**
Tian

(10) **Patent No.:** **US D989,893 S**
(45) **Date of Patent:** **** Jun. 20, 2023**

(54) **EXERCISE BIKE**

7,004,888 B1 * 2/2006 Weng A63B 21/4049
482/57
D579,989 S * 11/2008 Bingham, Jr. D21/667
D649,203 S * 11/2011 Zhang D21/667

(71) Applicant: **Mo Technologies Co., Ltd.**, Shanghai
(CN)

(72) Inventor: **Wangui Tian**, Shanghai (CN)

(73) Assignee: **MO TECHNOLOGIES CO., LTD.**,
Shanghai (CN)

(**) Term: **15 Years**

(21) Appl. No.: **29/811,122**

(22) Filed: **Oct. 12, 2021**

(30) **Foreign Application Priority Data**

Apr. 12, 2021 (CN) 202130203539.8

(51) **LOC (14) Cl.** **21-02**

(52) **U.S. Cl.**
USPC **D21/663**

(58) **Field of Classification Search**
USPC D21/663, 667, 664, 697; D12/111, 114,
D12/117, 432, 538
See application file for complete search history.

(56) **References Cited**

U.S. PATENT DOCUMENTS

D299,504 S * 1/1989 Hong D21/667
6,612,970 B2 * 9/2003 Forcillo A63B 21/4049
482/57
6,669,603 B1 * 12/2003 Forcillo A63B 21/015
D21/667

OTHER PUBLICATIONS

Yosuda, announced 2018 [online], [site visited Jan. 31, 2023]. Available on internet, URL:https://www.amazon.com/YOSUDA-Indoor-Cycling-Bike-Stationary/dp/B07D528W98/ref(Year: 2018).* My cloud fitness, announced 2018 [online], [site visited Jan. 31, 2023]. Available on internet, URL:https://www.amazon.com/Womens-Health-Mens-Exercise-MyCloudFitness/dp/B086MPR8C4/ref(Year: 2020).*

* cited by examiner

Primary Examiner — Khawaja Anwar
Assistant Examiner — Julice Seung Eun Oum
(74) *Attorney, Agent, or Firm* — IPro, PLLC

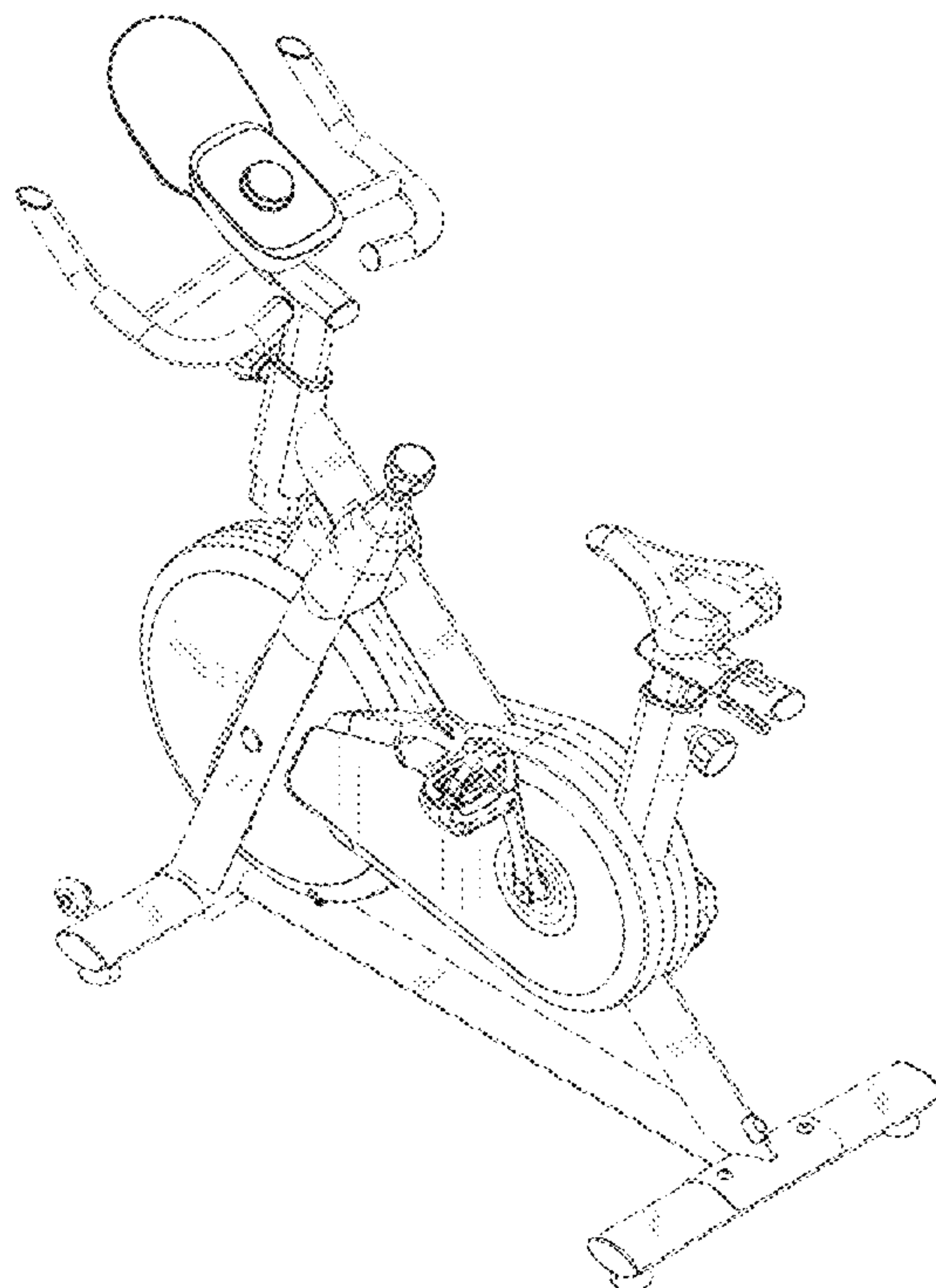
(57) **CLAIM**

The ornamental design for an exercise bike, as shown and described.

DESCRIPTION

FIG. 1 is a perspective view of an exercise bike embodying the new design;
FIG. 2 is another perspective view thereof;
FIG. 3 is a front view thereof;
FIG. 4 is a back view thereof;
FIG. 5 is a left side view thereof;
FIG. 6 is a right side view thereof;
FIG. 7 is a top view thereof; and,
FIG. 8 is a bottom view thereof.

1 Claim, 8 Drawing Sheets



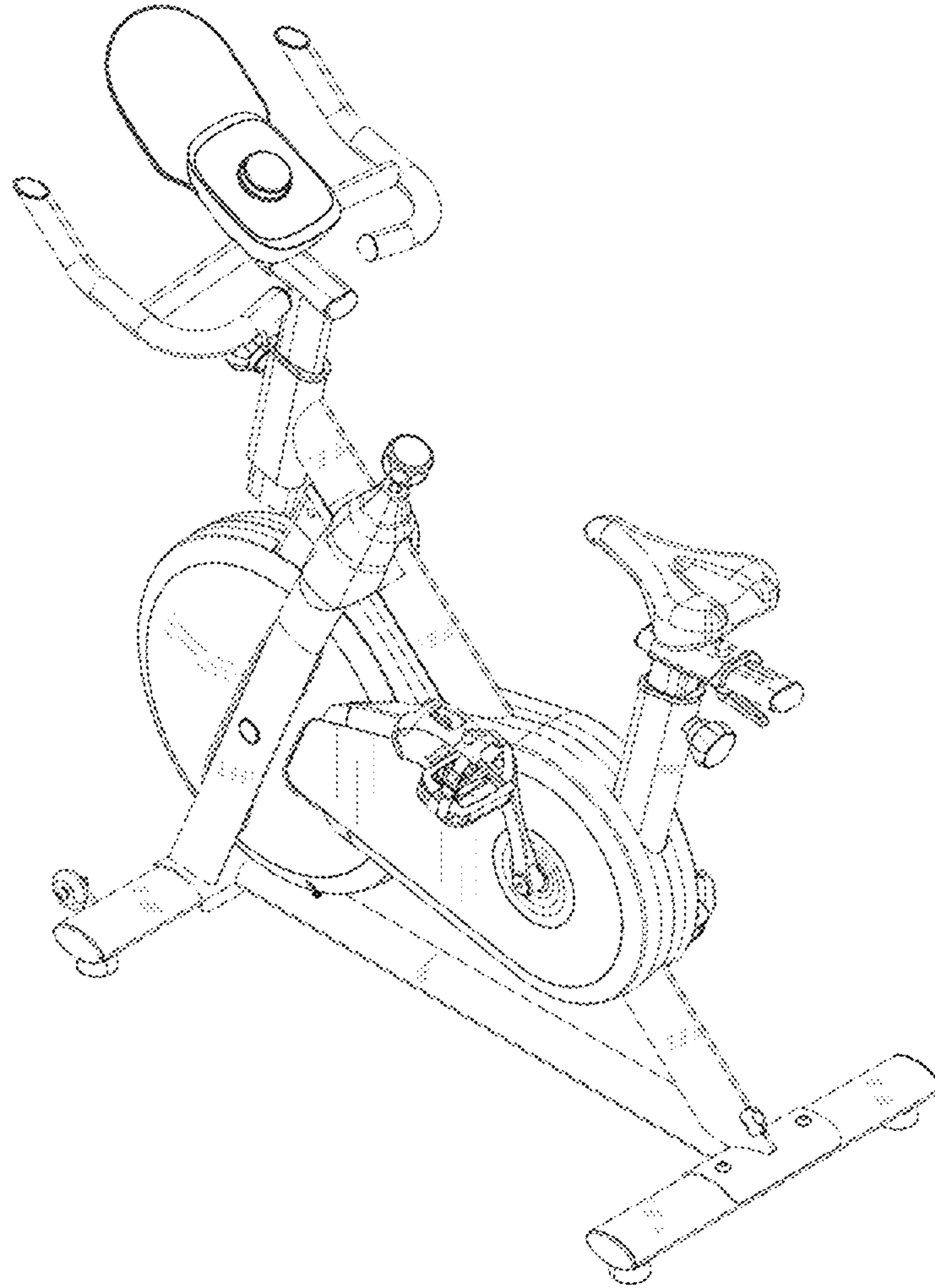


Fig. 1

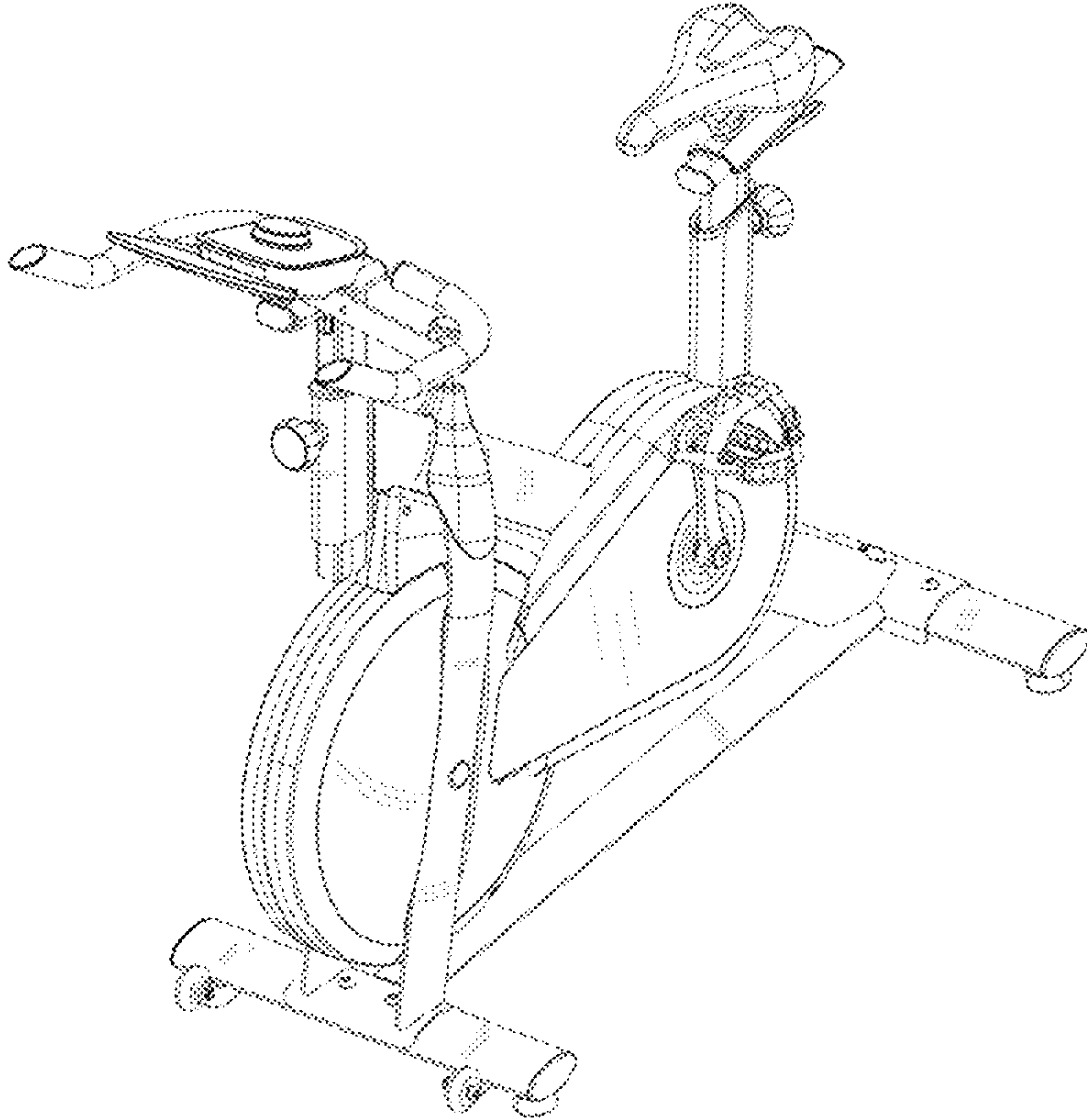


Fig. 2

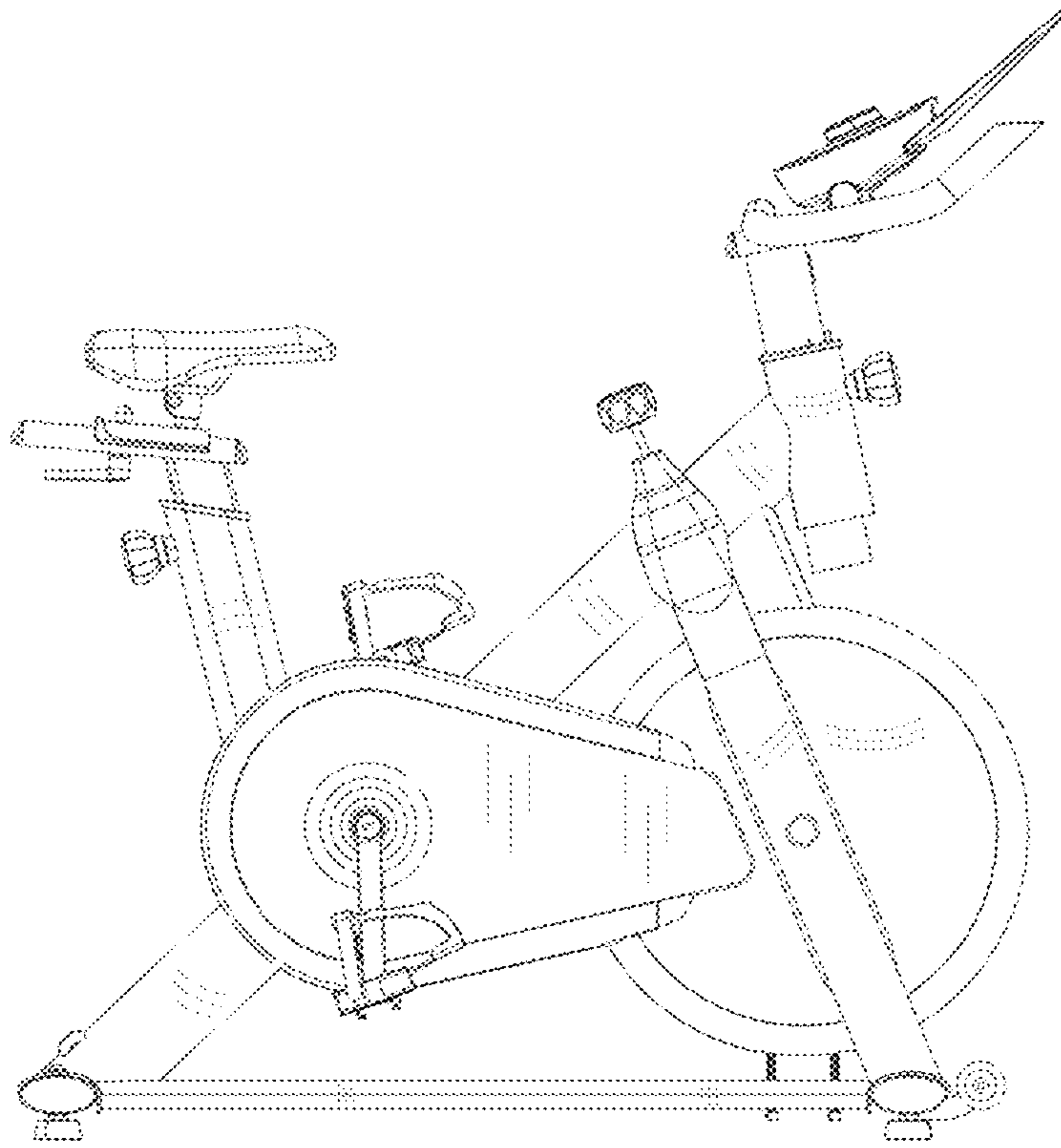


Fig. 3

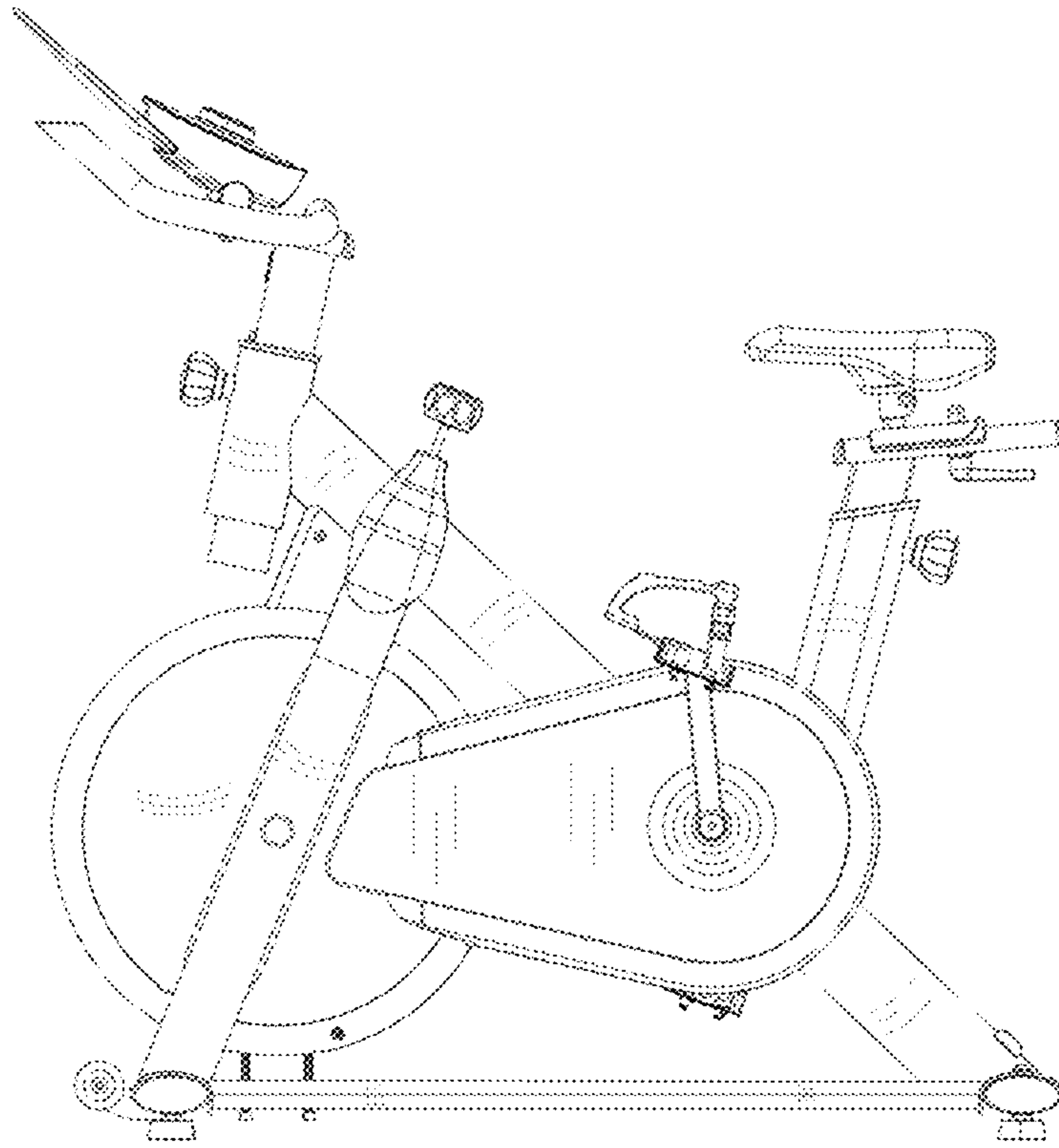


Fig. 4

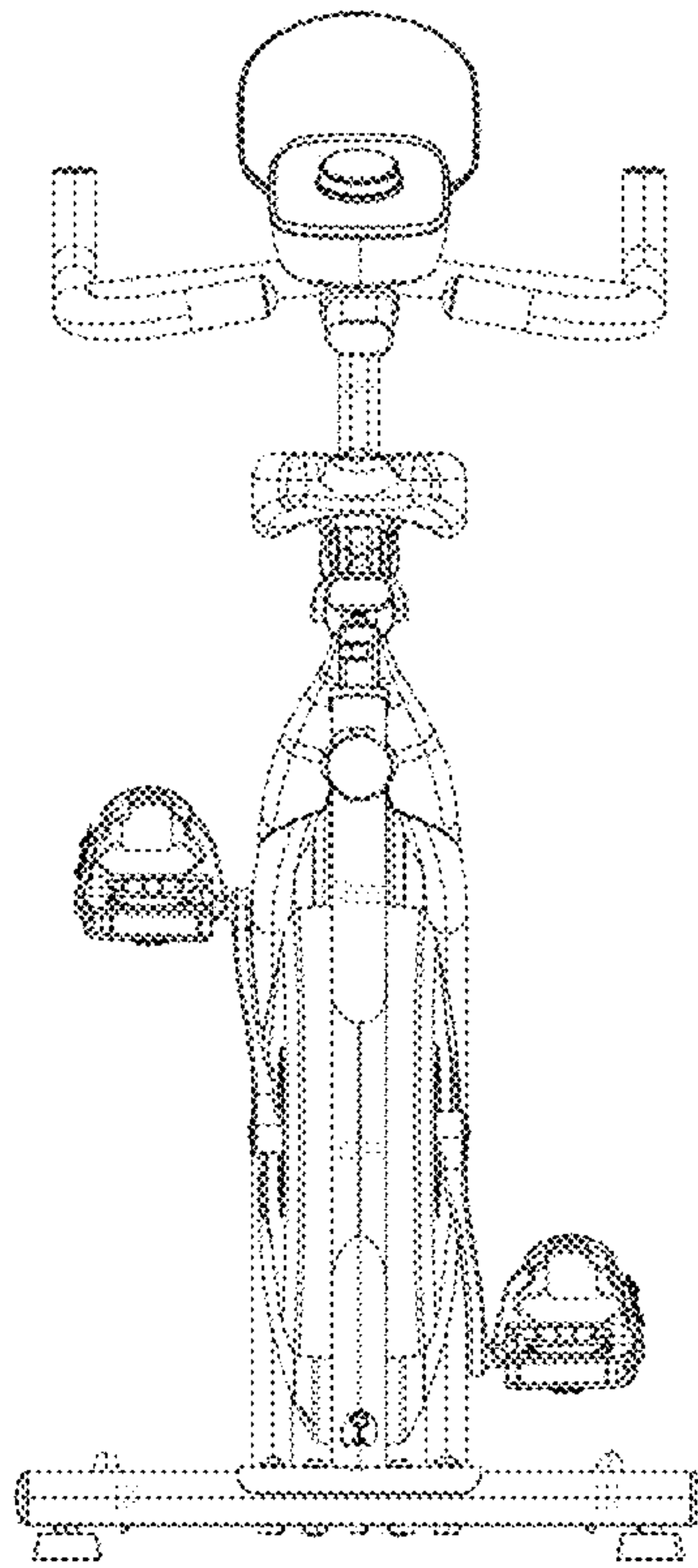


Fig. 5

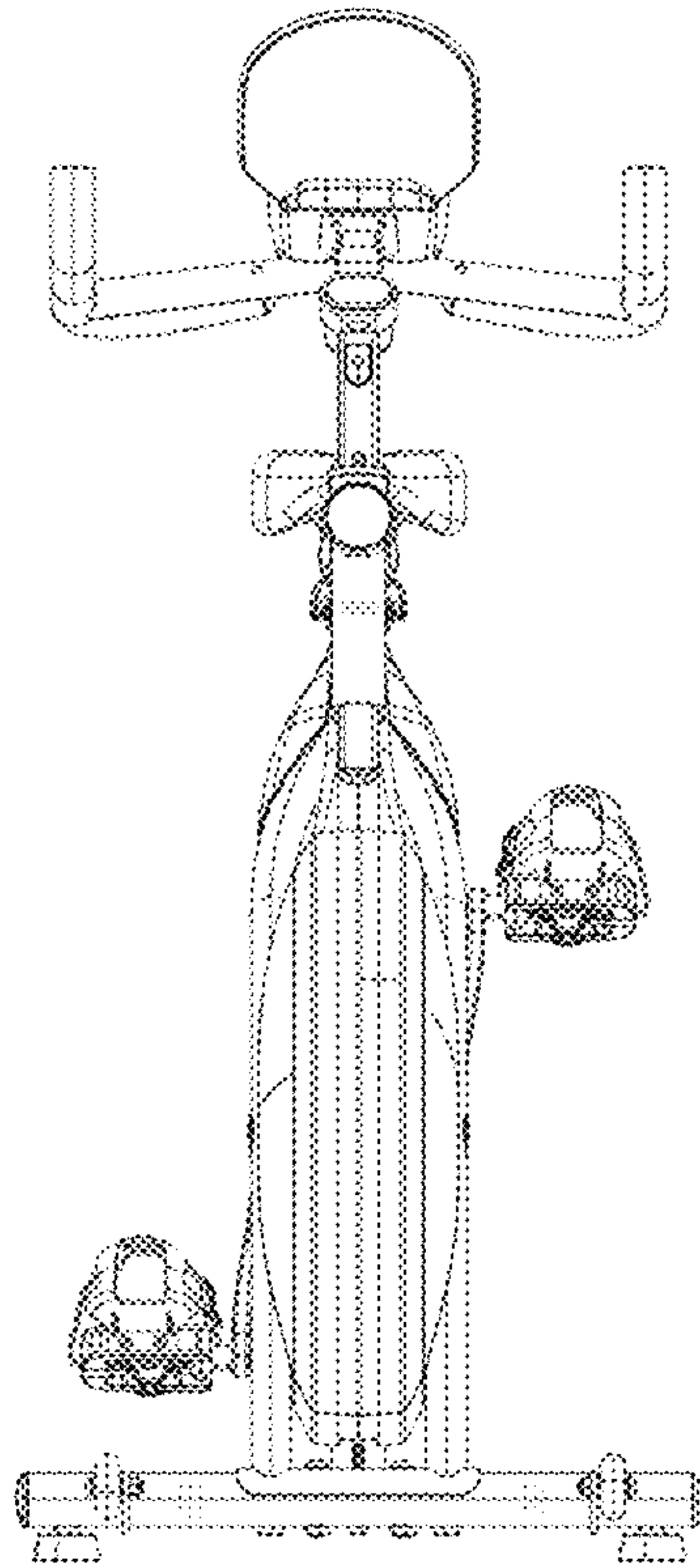


Fig. 6

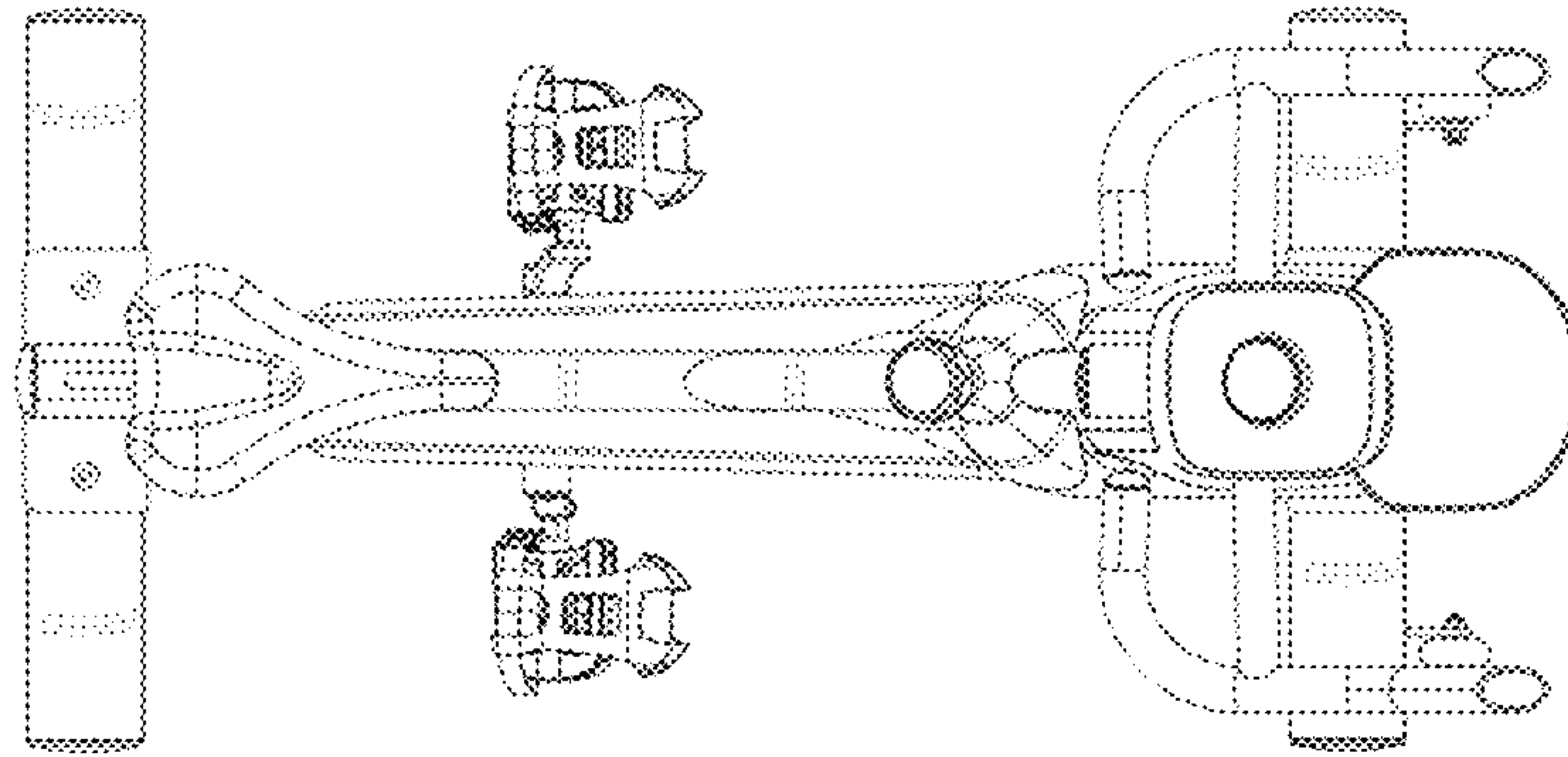


Fig. 7

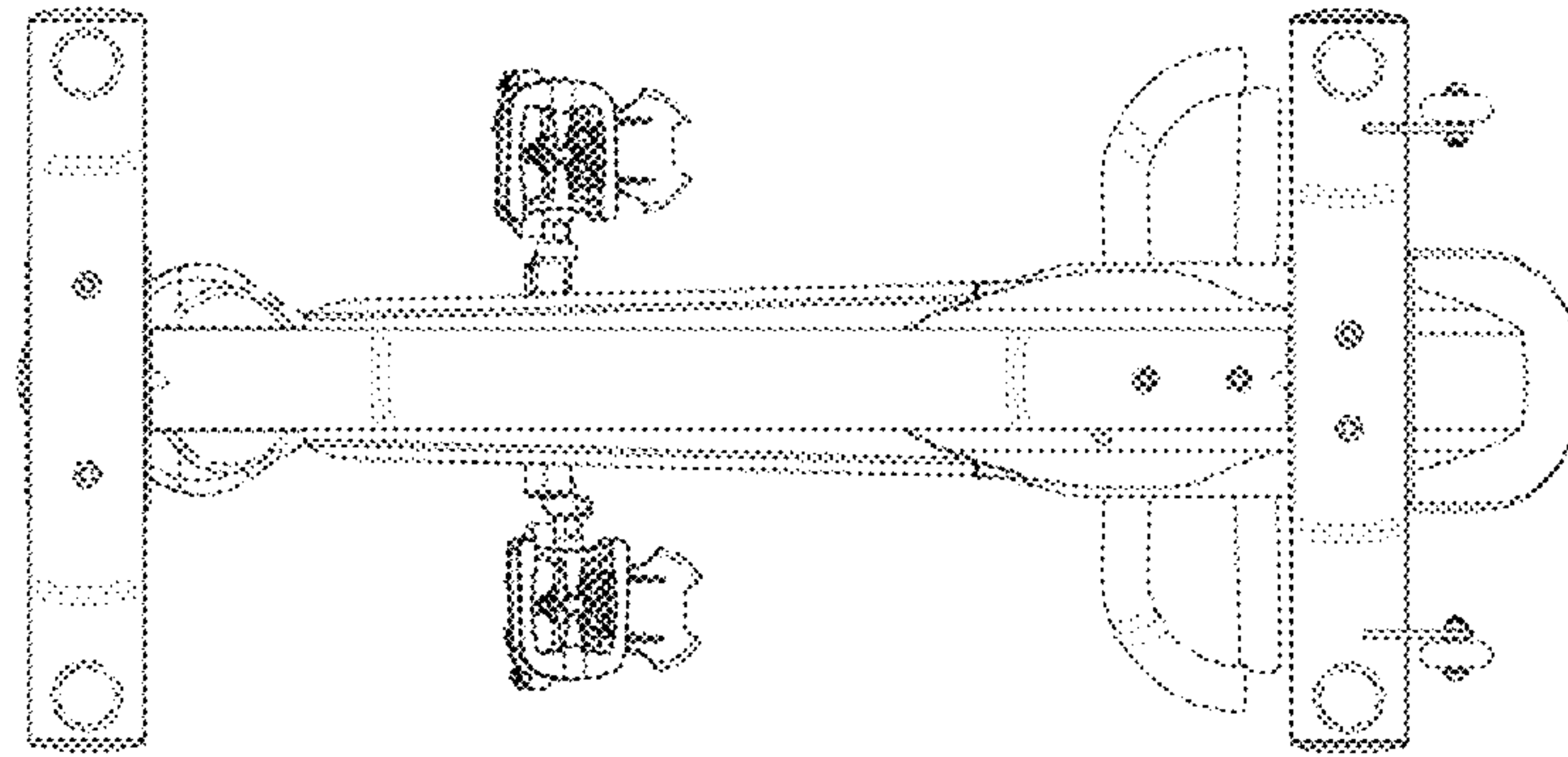


Fig. 8