



US00D989887S

(12) **United States Design Patent**  
**Bloch et al.**

(10) **Patent No.:** **US D989,887 S**  
(45) **Date of Patent:** **\*\* Jun. 20, 2023**

(54) **DRILL TOY**

D895,389 S \* 9/2020 Matteo ..... D8/68  
D929,837 S \* 9/2021 Rivera ..... D8/68  
D950,339 S \* 5/2022 Xu ..... D8/68

(71) Applicant: **RED TOOLBOX LTD.**, Kochav Yair  
(IL)

\* cited by examiner

(72) Inventors: **Shaul Bloch**, Har-Adar (IL); **Liran Bloch**, Har-Adar (IL)

*Primary Examiner* — Gino Colan  
*Assistant Examiner* — Gregory G McLemore

(73) Assignee: **RED TOOLBOX LTD.**, Kochav Yair  
(IL)

(74) *Attorney, Agent, or Firm* —  
Soroker-Agmon-Nordman; Sharone Godesh; Daniel Schatz

(\*\*) Term: **15 Years**

(57) **CLAIM**

(21) Appl. No.: **29/779,254**

The ornamental design for a drill toy, as shown and described.

(22) Filed: **Apr. 18, 2021**

(51) **LOC (14) Cl.** ..... **21-01**

**DESCRIPTION**

(52) **U.S. Cl.**  
USPC ..... **D21/532**; D8/68

(58) **Field of Classification Search**  
USPC ..... D8/61, 68; 446/144, 145; D21/532  
CPC ..... A63H 33/3072; A63H 33/30  
See application file for complete search history.

FIG. 1 is a right side perspective view of a drill toy, showing our new design;  
FIG. 2 is a right side view thereof;  
FIG. 3 is a left side view thereof;  
FIG. 4 is a front view thereof;  
FIG. 5 is a rear view thereof;  
FIG. 6 is a top view thereof; and,  
FIG. 7 is a bottom view thereof.

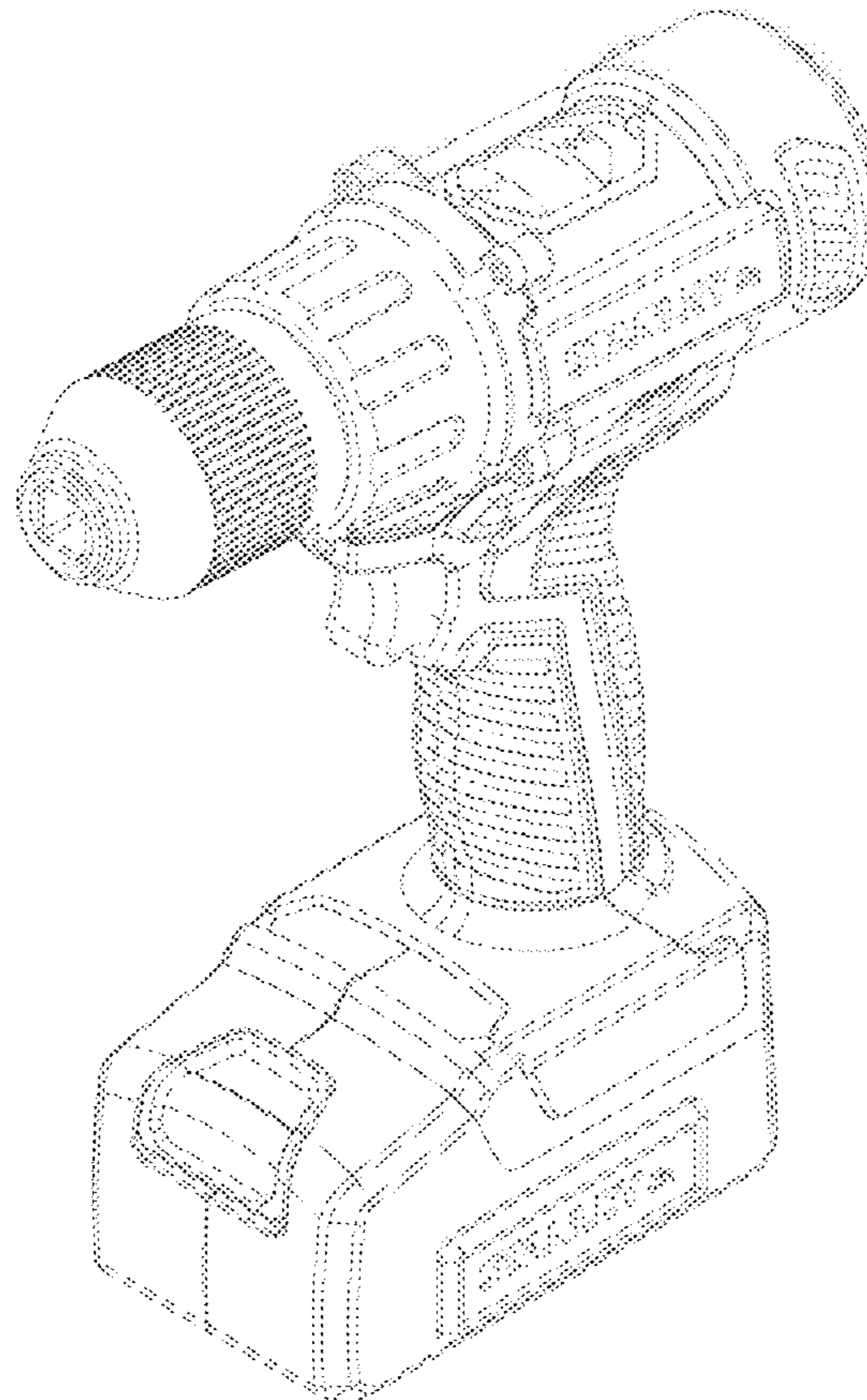
(56) **References Cited**

U.S. PATENT DOCUMENTS

D506,914 S \* 7/2005 Okuda ..... D8/68  
D589,317 S \* 3/2009 Okuda ..... D8/68  
D644,495 S \* 9/2011 Misaki ..... D8/68  
D869,926 S \* 12/2019 Waldron ..... D8/68

The broken lines shown in the figures are for the purpose of illustrating portions of the drill toy and form no part of the claimed design.

**1 Claim, 7 Drawing Sheets**



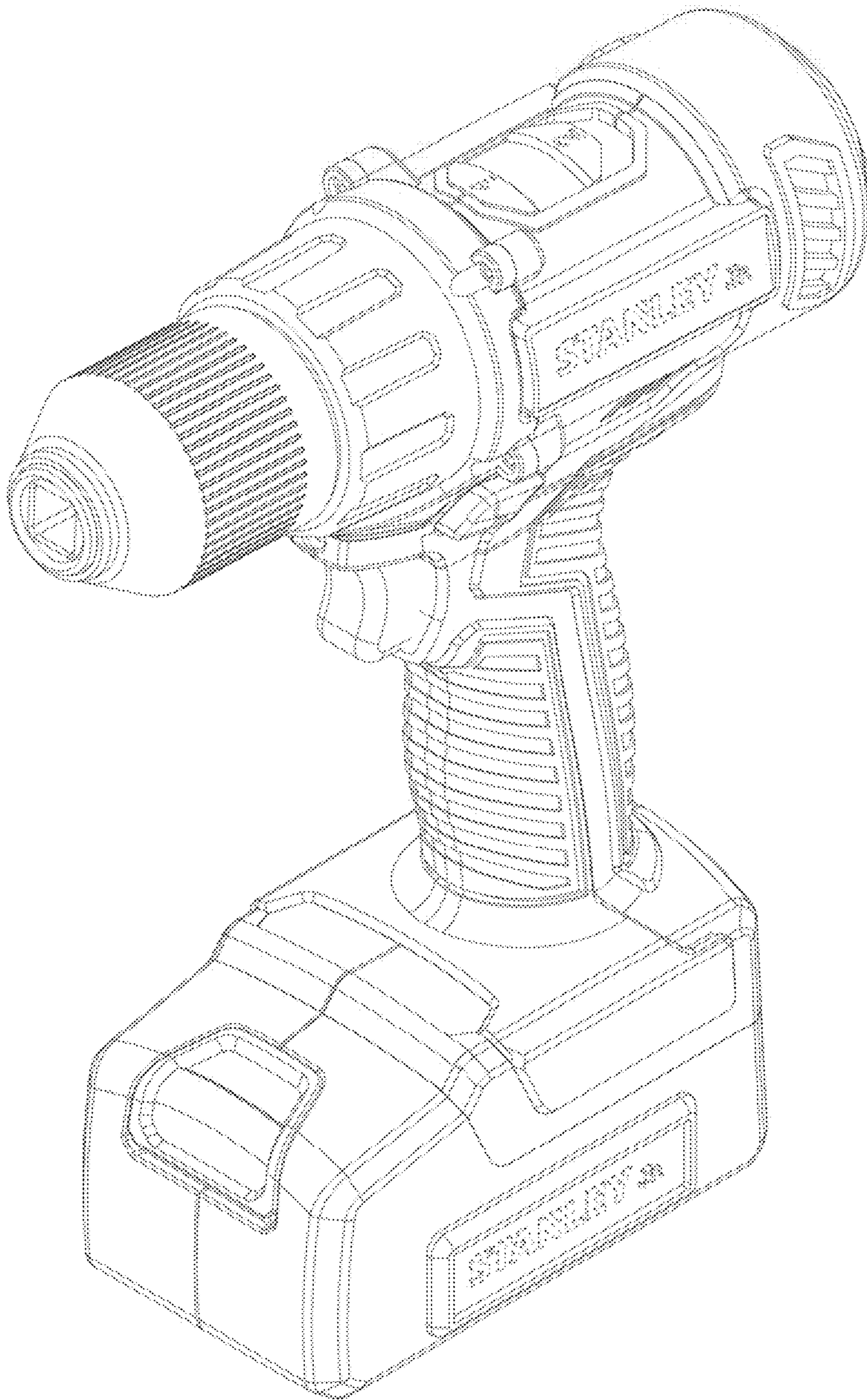


FIG. 1

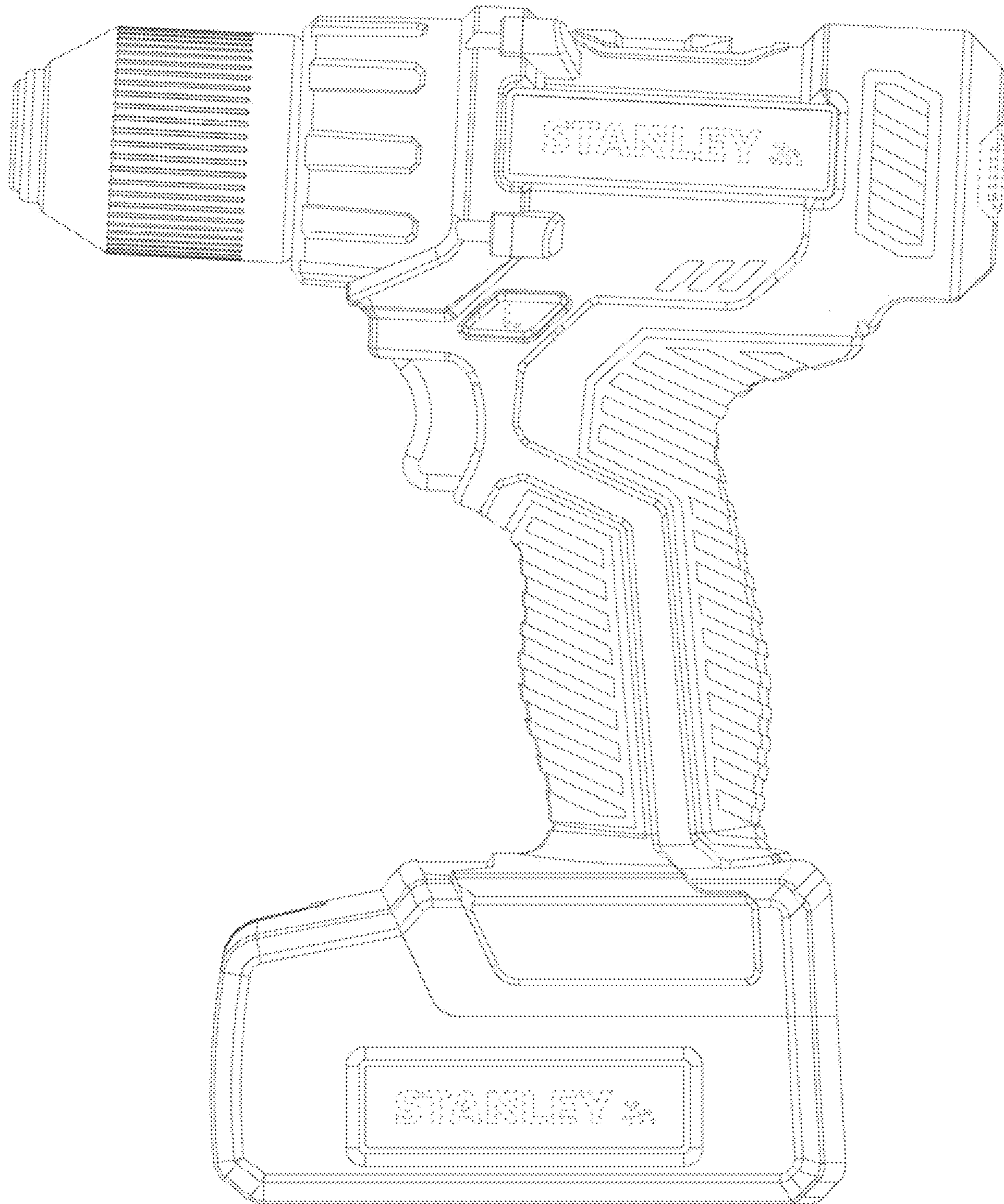


FIG. 2

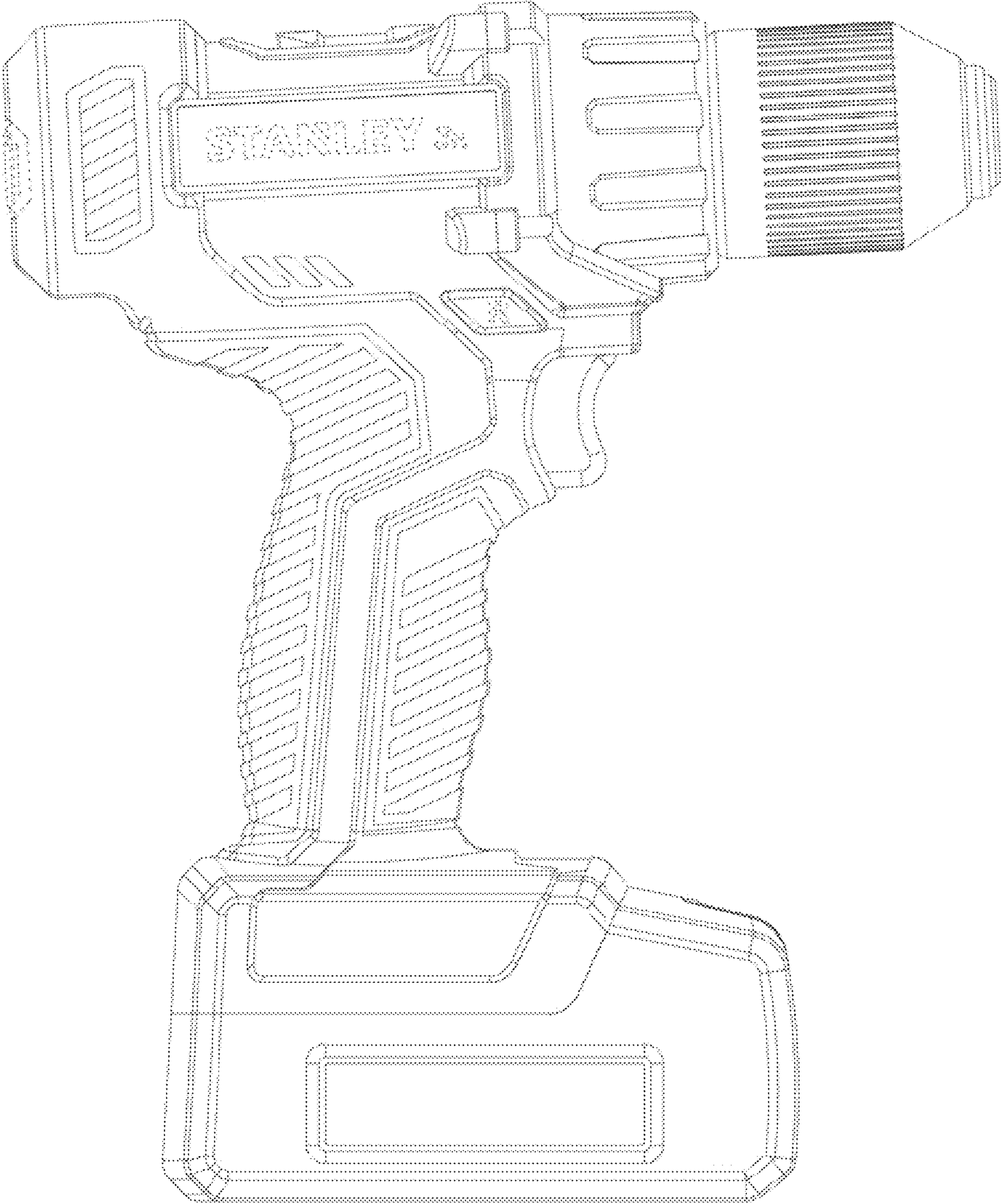


FIG. 3

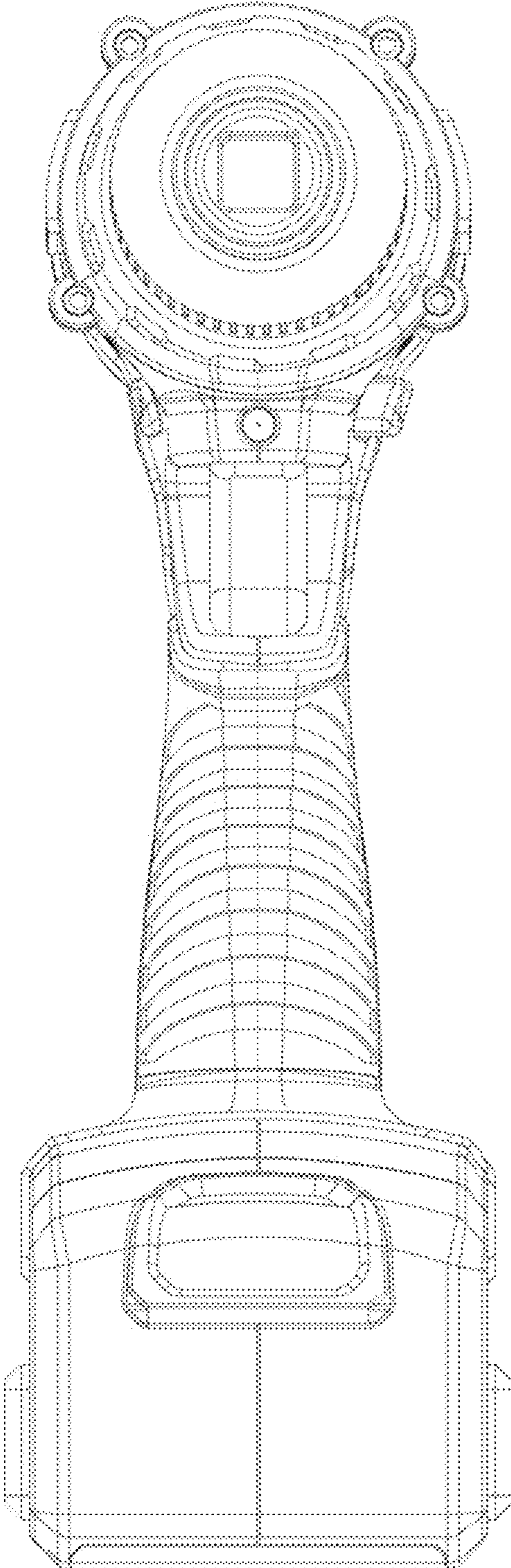


FIG. 4

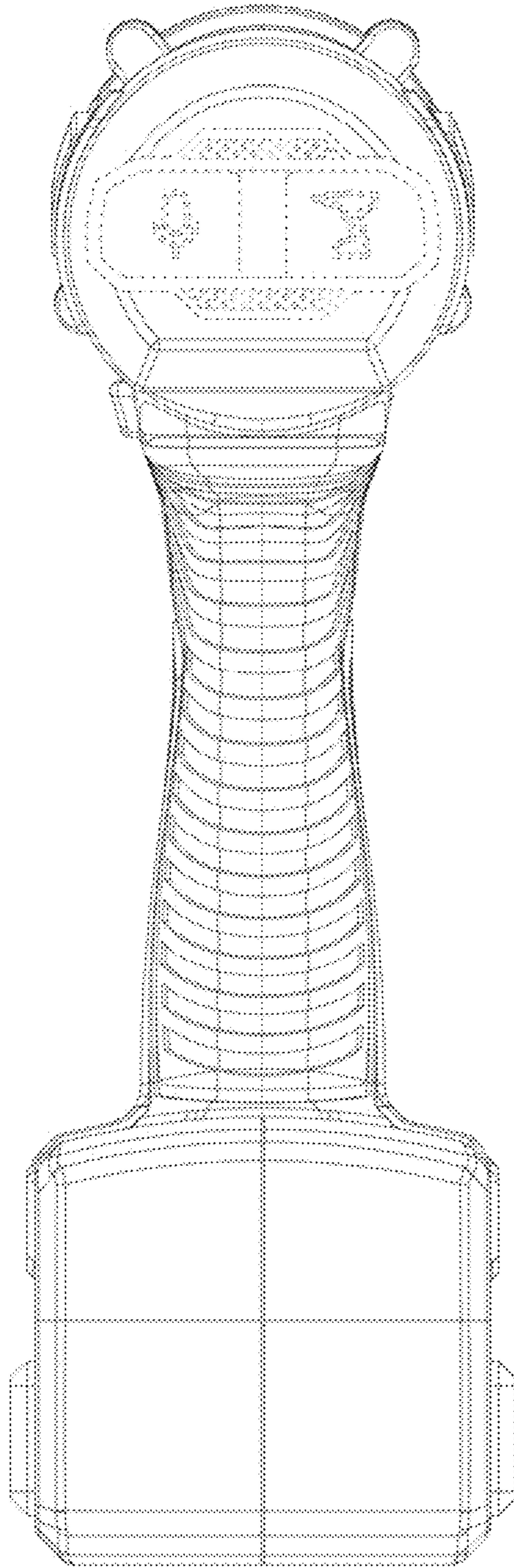


FIG. 5

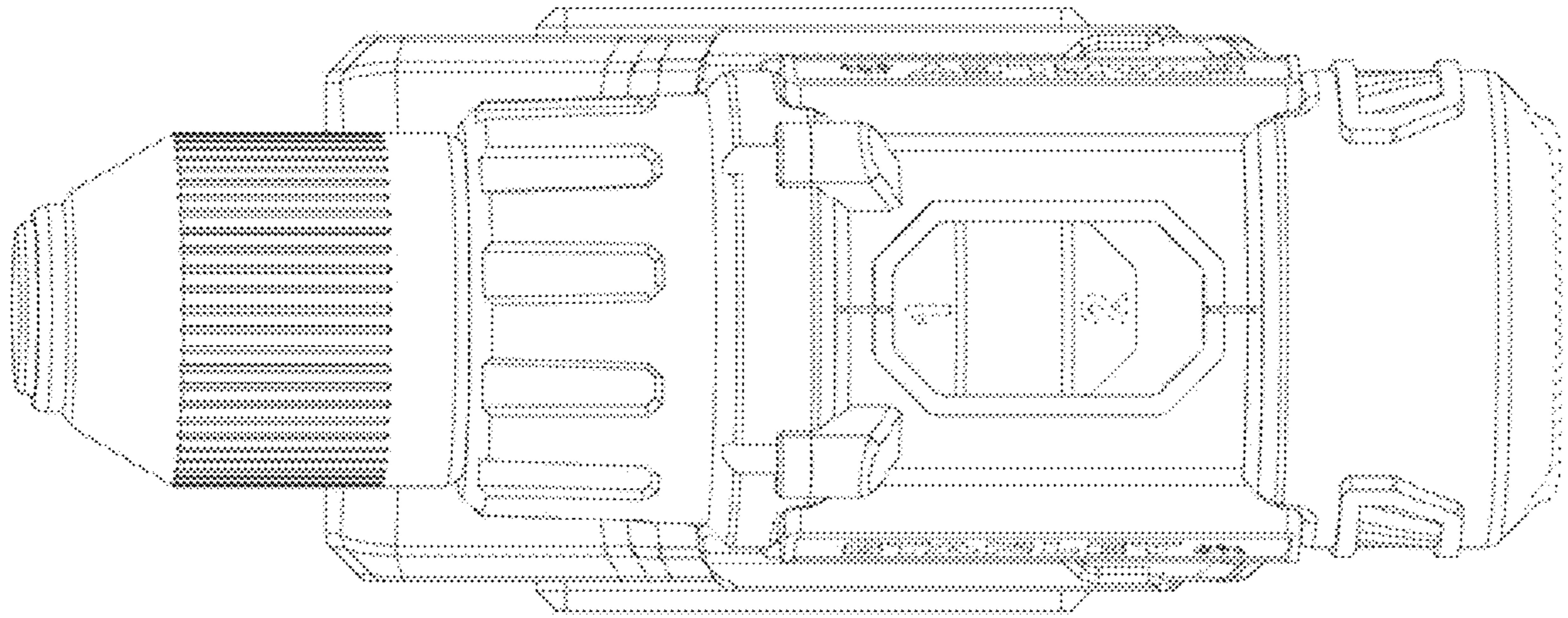


FIG. 6

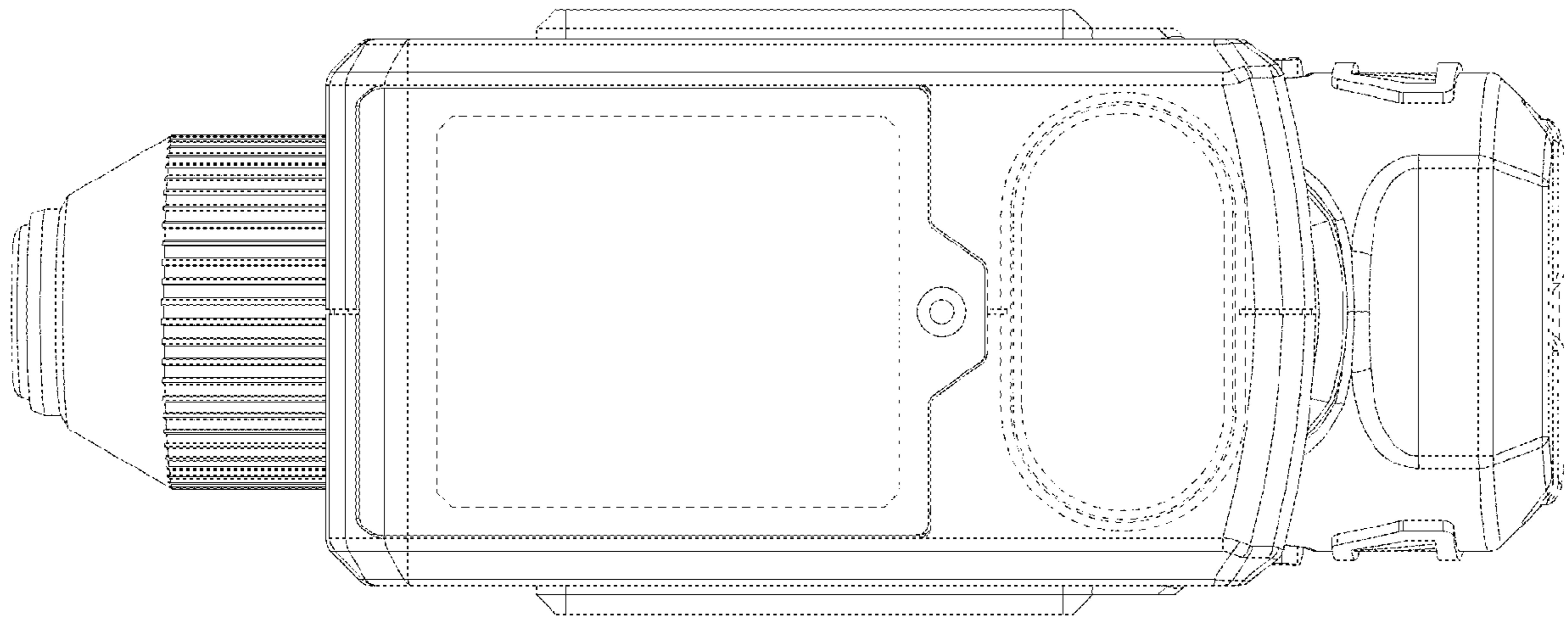


FIG. 7