



US00D989885S

(12) **United States Design Patent**
Eskayo

(10) **Patent No.:** **US D989,885 S**
(45) **Date of Patent:** **** Jun. 20, 2023**

(54) **WORKBENCH TOY**

(71) Applicant: **RED TOOLBOX LTD.**, Kochav Yair (IL)

(72) Inventor: **Yitzhak Eskayo**, Tel Aviv (IL)

(73) Assignee: **RED TOOLBOX LTD.**, Kochav Yair (IL)

(**) Term: **15 Years**

(21) Appl. No.: **29/779,300**

(22) Filed: **Apr. 19, 2021**

(51) **LOC (14) Cl.** **21-01**

(52) **U.S. Cl.**
USPC **D21/522**

(58) **Field of Classification Search**
USPC 144/286.1; D21/522
CPC ... B25H 1/04; B25H 1/00; B25H 1/02; B25H 1/0021; A63H 33/3072; A63H 33/30
See application file for complete search history.

(56) **References Cited**

U.S. PATENT DOCUMENTS

D277,019 S * 1/1985 Appel D21/522
D453,539 S * 2/2002 Lanchais D21/522
2003/0045204 A1 * 3/2003 Chan A63H 33/3072
446/397

OTHER PUBLICATIONS

Toy Choi's Pretend Play Series Standard Workbench Stem Toy Tool Play Set, 82 Pieces Construction Work Shop Toy Tool Kit Bench

Outdoor Preschool Toy Gift for Kids Toddler Baby Children Boys and Girls. Shown in www.amazon.com. Web. Aug. 1, 2015. ASIN B07DSGQN8Z. (Year: 2015).*

* cited by examiner

Primary Examiner — Gino Colan
Assistant Examiner — Gregory G McLemore

(74) *Attorney, Agent, or Firm* — Soroker-Agmon-Nordman; Sharone Godesh; Daniel Schatz

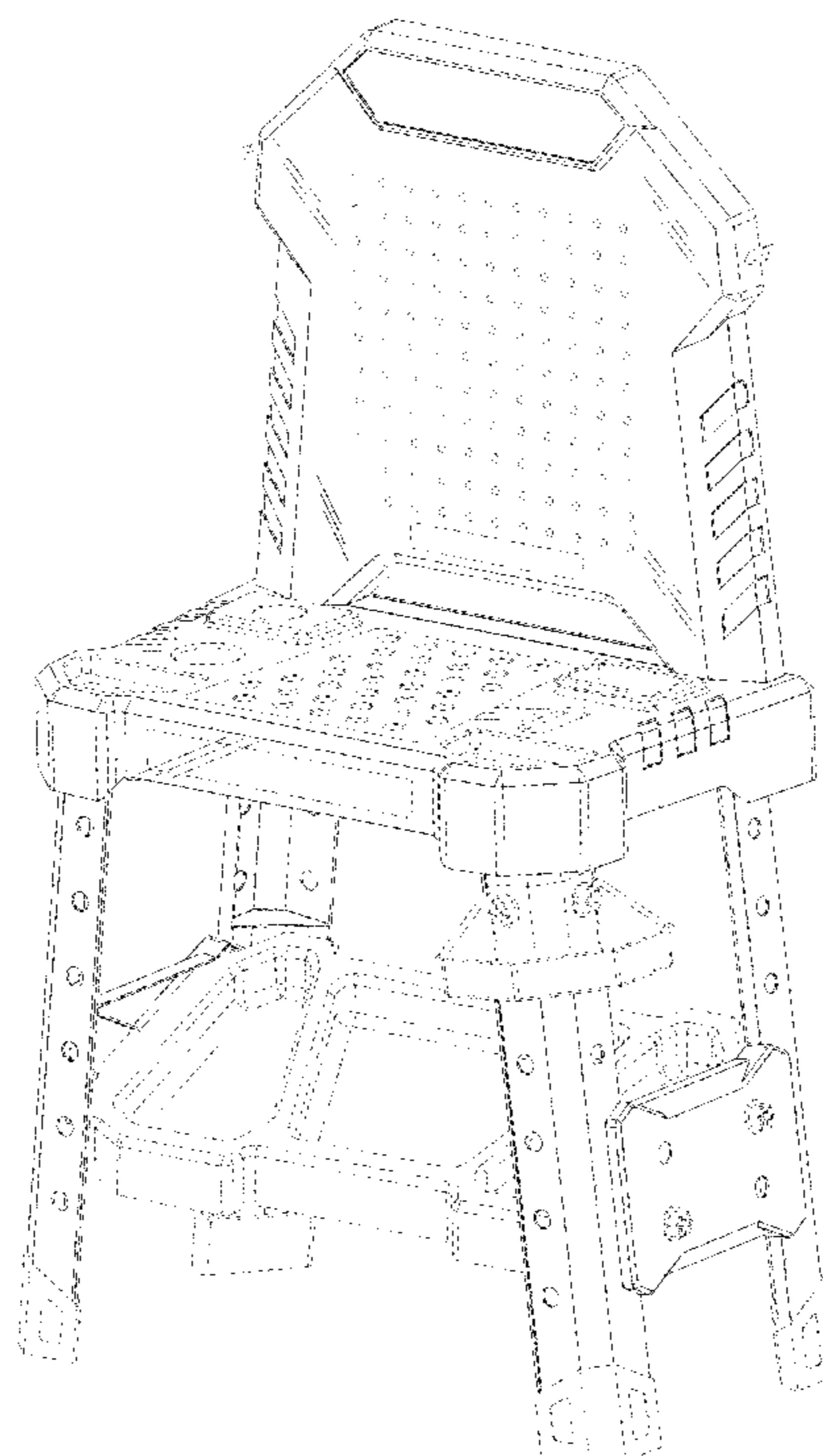
(57) **CLAIM**

I claim the ornamental design for a workbench toy, as shown and described.

DESCRIPTION

FIG. 1 is a right side perspective view of a workbench toy, showing my new design;
FIG. 2 is a front view thereof;
FIG. 3 is a rear view thereof;
FIG. 4 is a left side view thereof;
FIG. 5 is a right side view thereof;
FIG. 6 is a top view thereof; and,
FIG. 7 is a bottom view thereof.
The broken lines shown in the figures are for the purpose of illustrating portions of the workbench toy and form no part of the claimed design.

1 Claim, 7 Drawing Sheets



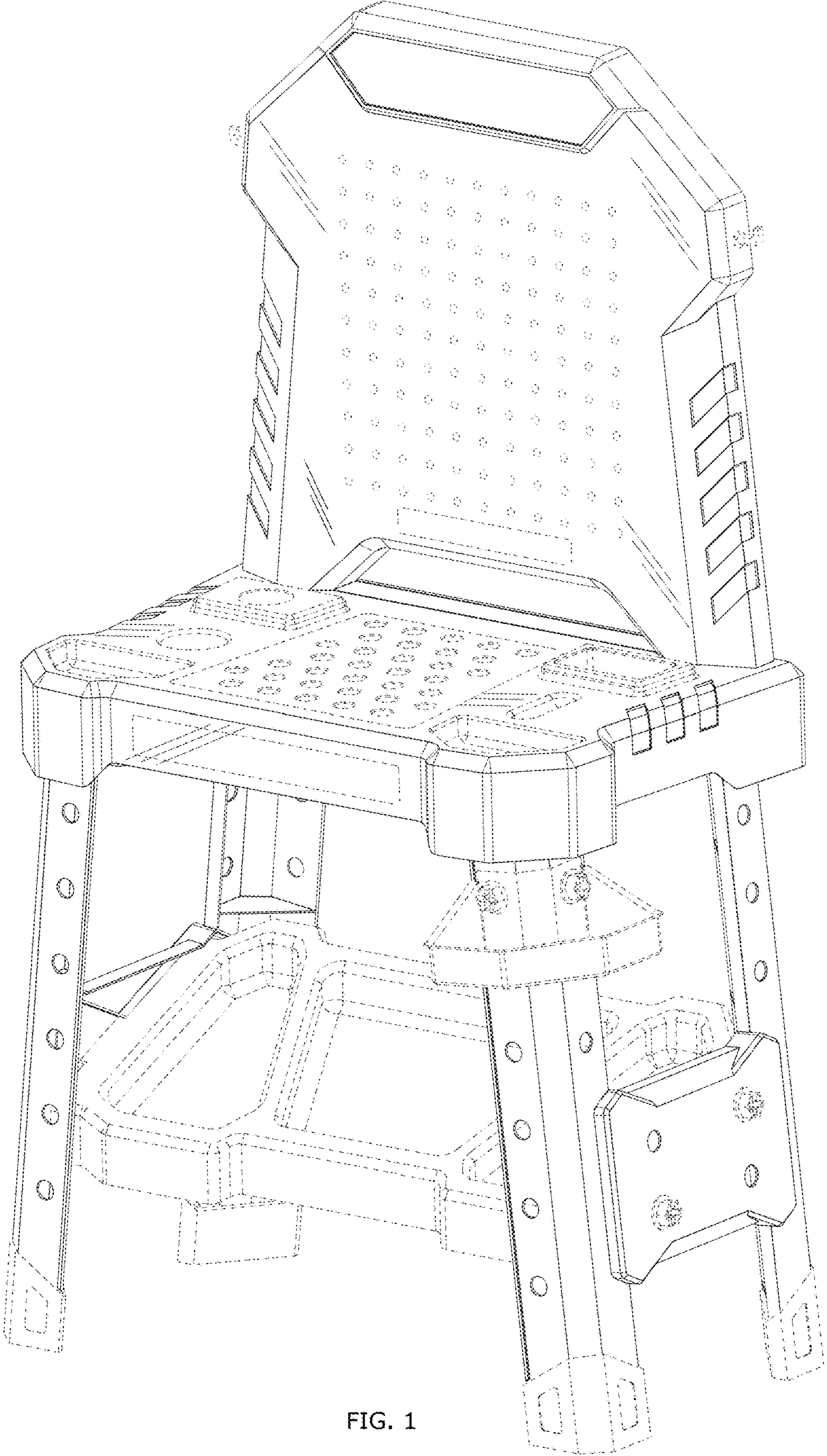


FIG. 1

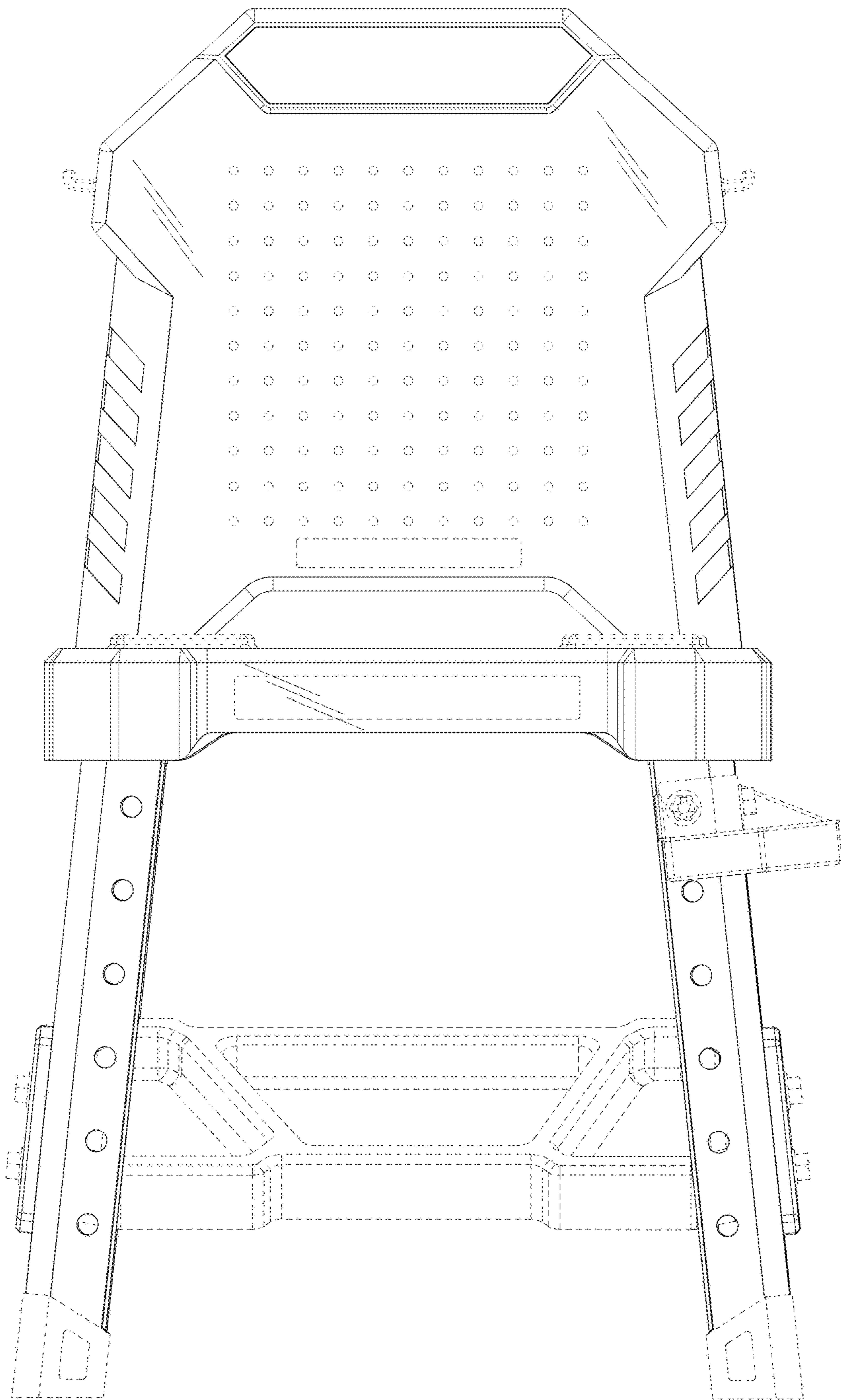


FIG. 2

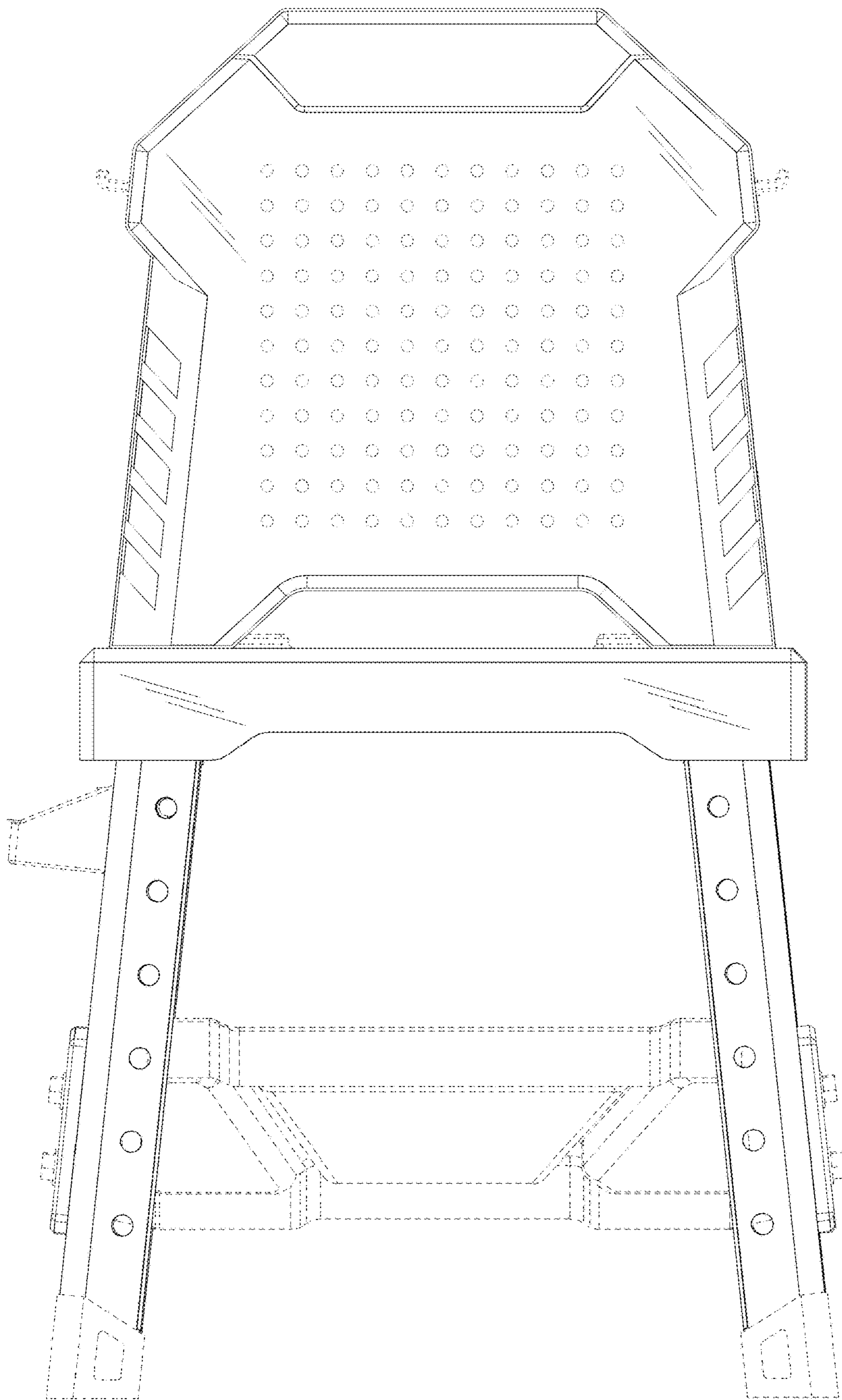


FIG. 3

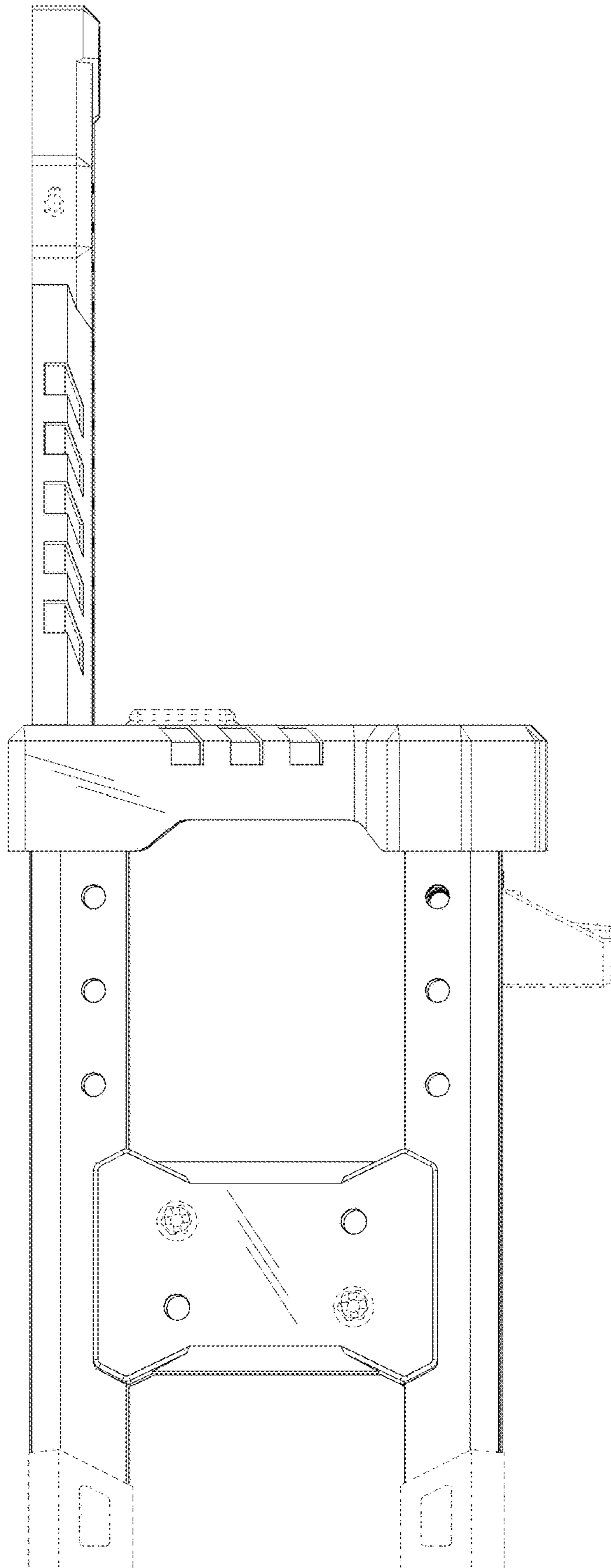


FIG. 4

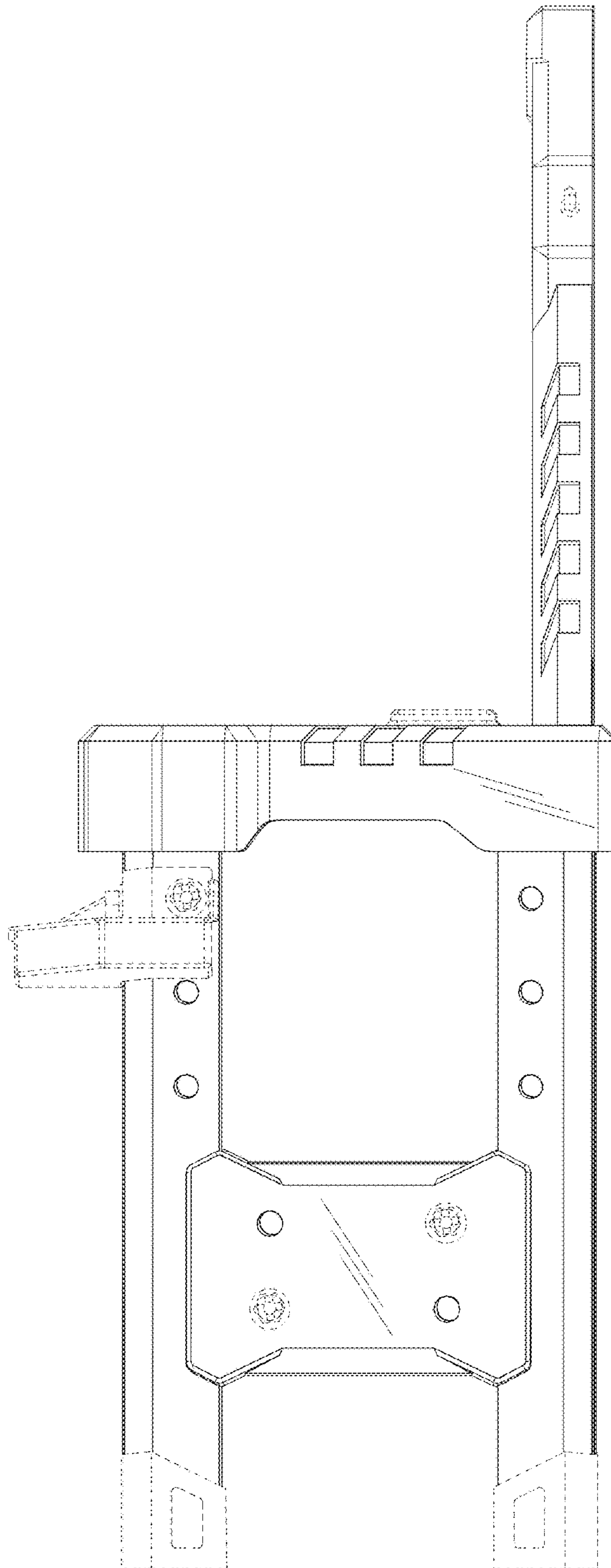


FIG. 5

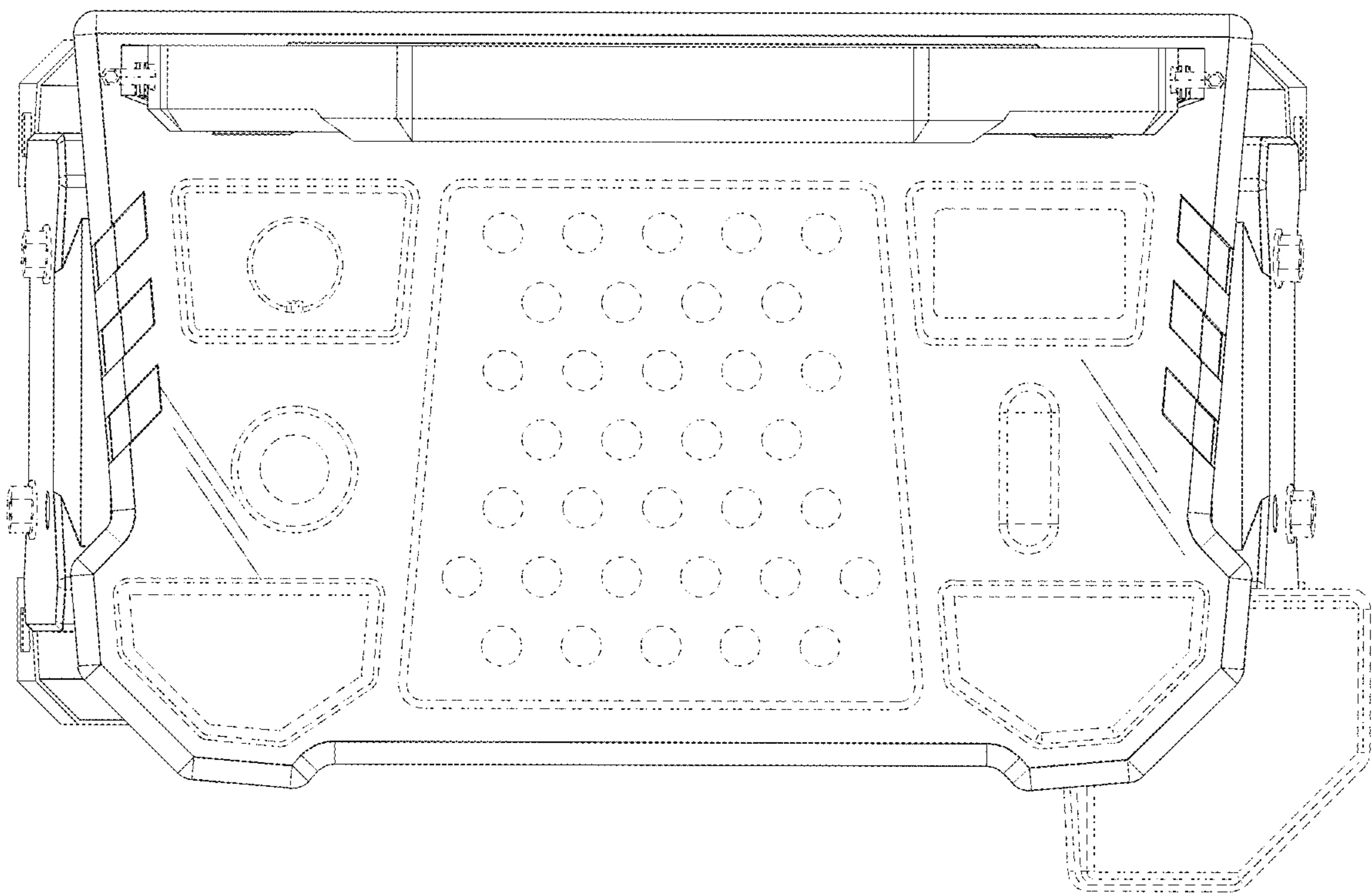


FIG. 6

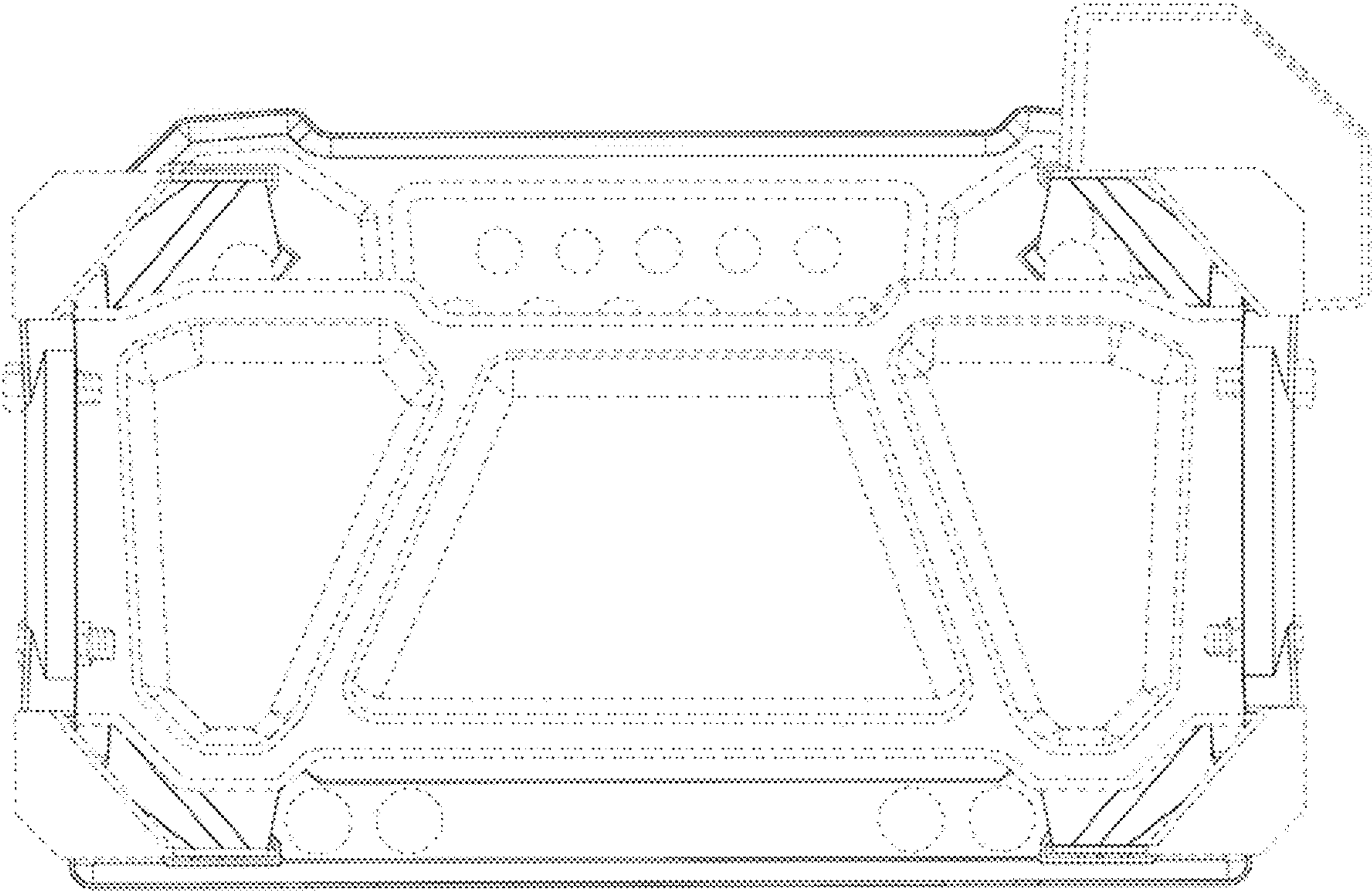


FIG. 7