



US00D989883S

(12) **United States Design Patent**
Landi, Jr. et al.

(10) **Patent No.:** **US D989,883 S**
(45) **Date of Patent:** **** Jun. 20, 2023**

(54) **LAUNCHING DEVICE**

FOREIGN PATENT DOCUMENTS

(71) Applicant: **NSI INTERNATIONAL, INC.**, New York, NY (US)

CN 200830129762 * 8/2009
EM 008825806-0001 * 1/2022

(Continued)

(72) Inventors: **Frank J. Landi, Jr.**, New York, NY (US); **Steve Rehkemper**, Chicago, IL (US); **Jeffrey Rehkemper**, Chicago, IL (US); **Adam Gelder**, Oak Lawn, IL (US); **Kamil Maj**, Chicago, IL (US)

OTHER PUBLICATIONS

NSI International, All Pro Passer Robotic Quarterback, published on Jun. 21, 2021 [online]. Retrieved from internet (Date: Mar. 13, 2023), <https://www.youtube.com/watch?v=IJIABV5v4dE> (Year: 2021).*

(Continued)

(73) Assignee: **NSI INTERNATIONAL, INC.**, New York, NY (US)

Primary Examiner — Katherine A Holbrow

Assistant Examiner — Riya Salil Kamat

(**) Term: **15 Years**

(74) *Attorney, Agent, or Firm* — Andrew F. Young; Nolte Lackenbach Siegel

(21) Appl. No.: **29/799,845**

(22) Filed: **Jul. 16, 2021**

(51) **LOC (14) Cl.** **21-01**

(57) **CLAIM**

(52) **U.S. Cl.**
USPC **D21/454**; D21/411; D21/720; D21/722;
D21/791; D21/318; D21/357

The ornamental design for a launching device, as shown and described.

(58) **Field of Classification Search**
USPC D21/301, 305, 314, 315, 318, 328, 339,
D21/355, 356, 357, 382, 411, 421, 454,
D21/704, 720, 722, 791; D30/160
CPC F41B 1/00; F41B 6/006; F41B 4/00; F41B
3/03; A63H 27/005; A63H 27/14; A63H
17/006; A63H 29/16; A63H 27/004;
A63B 47/002; A63B 2047/004; A63B
2069/0008; A63B 69/002; A63B 69/385;
A63B 2214/00; A63B 2243/0025; A01K
15/027; F41F 3/04; F41F 7/00

DESCRIPTION

FIG. 1 is a front, top, right side perspective view of the launching device of present invention.

FIG. 2 is a front, bottom, right side perspective view thereof.

FIG. 3 is a top plan view thereof.

FIG. 4 is a bottom plan view thereof.

FIG. 5 is a front elevation view thereof.

FIG. 6 is a rear elevation view thereof.

FIG. 7 is right side elevation view thereof; and,

FIG. 8 is a left side elevation view thereof.

The dash-dash lines indicate portions which form no part of the claimed design. Surface shading lines are included to illustrate contour only and form no part of the claimed design. Portions not illustrated herein form no part of the claimed design.

See application file for complete search history.

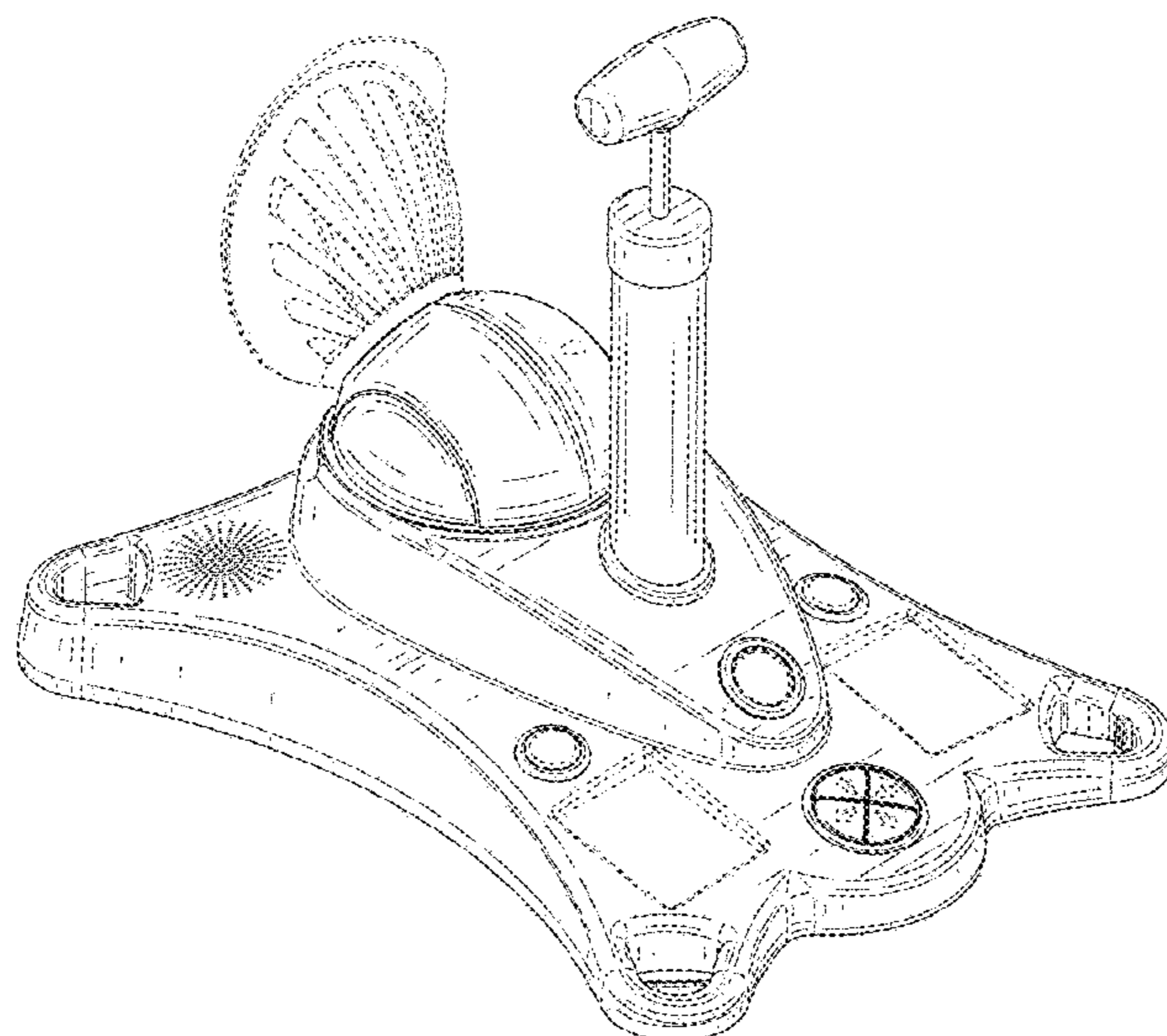
(56) **References Cited**

U.S. PATENT DOCUMENTS

D244,308 S * 5/1977 Henry D21/454
D294,411 S * 2/1988 Merriman D21/722

(Continued)

1 Claim, 8 Drawing Sheets



(56)

References Cited

U.S. PATENT DOCUMENTS

5,575,482 A * 11/1996 Butler, Jr. A63B 69/407
124/66
D382,311 S * 8/1997 Turnidge D21/720
6,176,230 B1 * 1/2001 Thompson A01K 15/025
124/16
6,190,271 B1 * 2/2001 Rappaport A63B 69/0002
124/78
D456,866 S * 5/2002 Turpault D21/720
6,443,859 B1 * 9/2002 Markin A63B 69/406
124/78
6,875,136 B2 * 4/2005 Leal A63B 69/0002
124/16
D626,611 S * 11/2010 Magnone D21/722
D641,437 S * 7/2011 Nugent D21/722
D674,851 S * 1/2013 Osborne D21/722
8,932,156 B2 * 1/2015 Boehner A63B 69/406
124/78
9,339,716 B1 * 5/2016 Ward A63B 69/407
D839,976 S * 2/2019 Legoski D21/722
D848,082 S * 5/2019 Ward D30/160
D863,476 S * 10/2019 Haarburger D21/722

D923,123 S * 6/2021 Krivak D21/720
2017/0326428 A1 * 11/2017 Qian A01K 15/025
2018/0369672 A1 * 12/2018 Wheeler A63B 1/00

FOREIGN PATENT DOCUMENTS

GB 6131785 * 4/2021
GB 6185506 * 1/2022

OTHER PUBLICATIONS

Joner Football, Soccer Training, published on Apr. 24, 2018 [online]. Retrieved from internet (Date: Mar. 13, 2023), <https://www.youtube.com/watch?v=jS54Mk1OZ9g> (Year: 2018).*

RsGSports, football throwing machine, published on Feb. 17, 2014 [online]. Retrieved from internet (Date: Mar. 13, 2023), <https://www.youtube.com/watch?v=PrOezqL15L4> (Year: 2014).*

Franklin Sports, Baseball Pitching Machine, published on Aug. 26, 2021 [online]. Retrieved from internet (Date: Mar. 13, 2023), https://www.amazon.com/Franklin-Sports-MLB-Baseball-Pitch/dp/B001JH6VH4/ref=cm_cr_arp_d_product_top?ie=UTF8&th=1 (Year: 2021).*

* cited by examiner

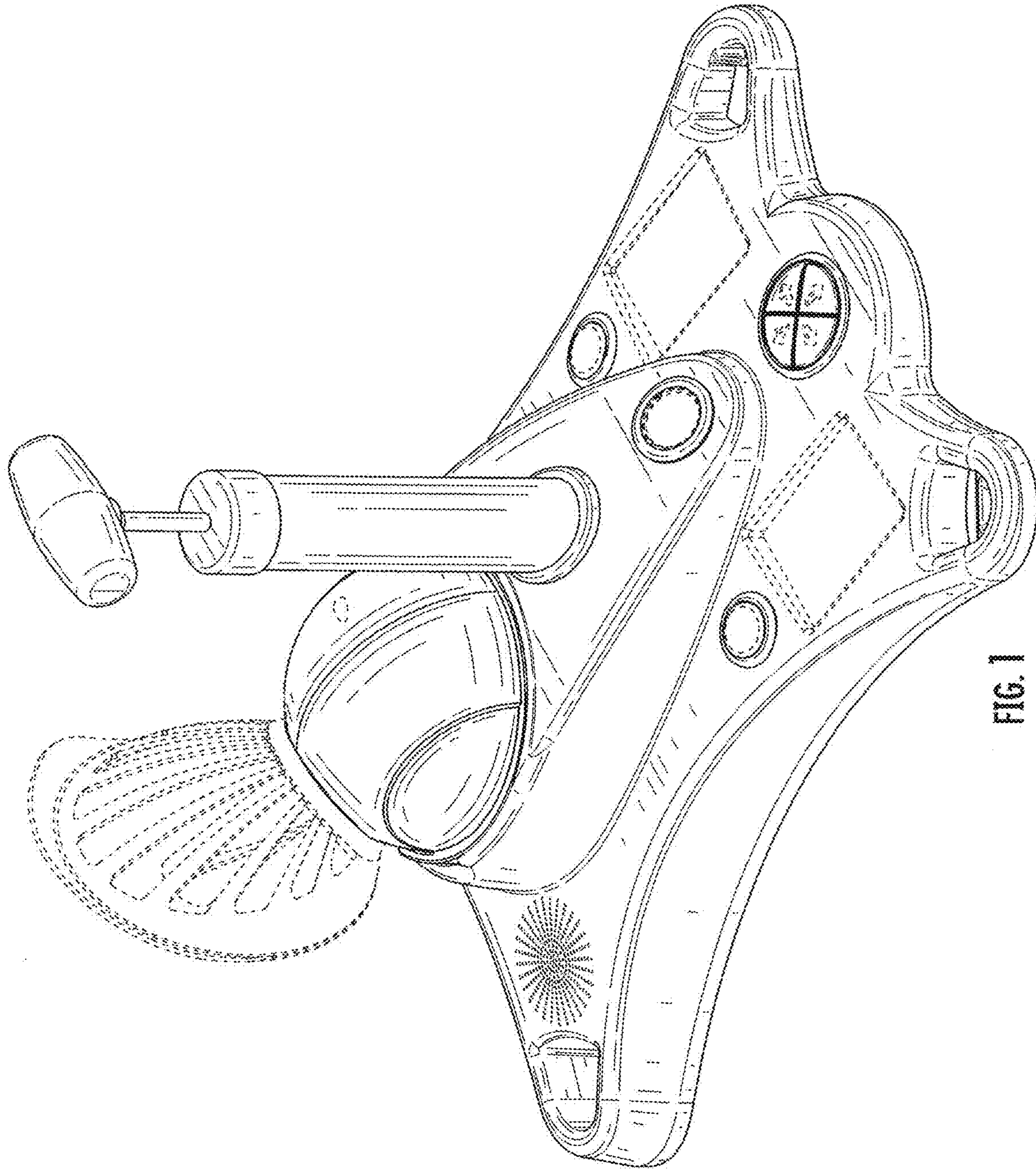


FIG. 1

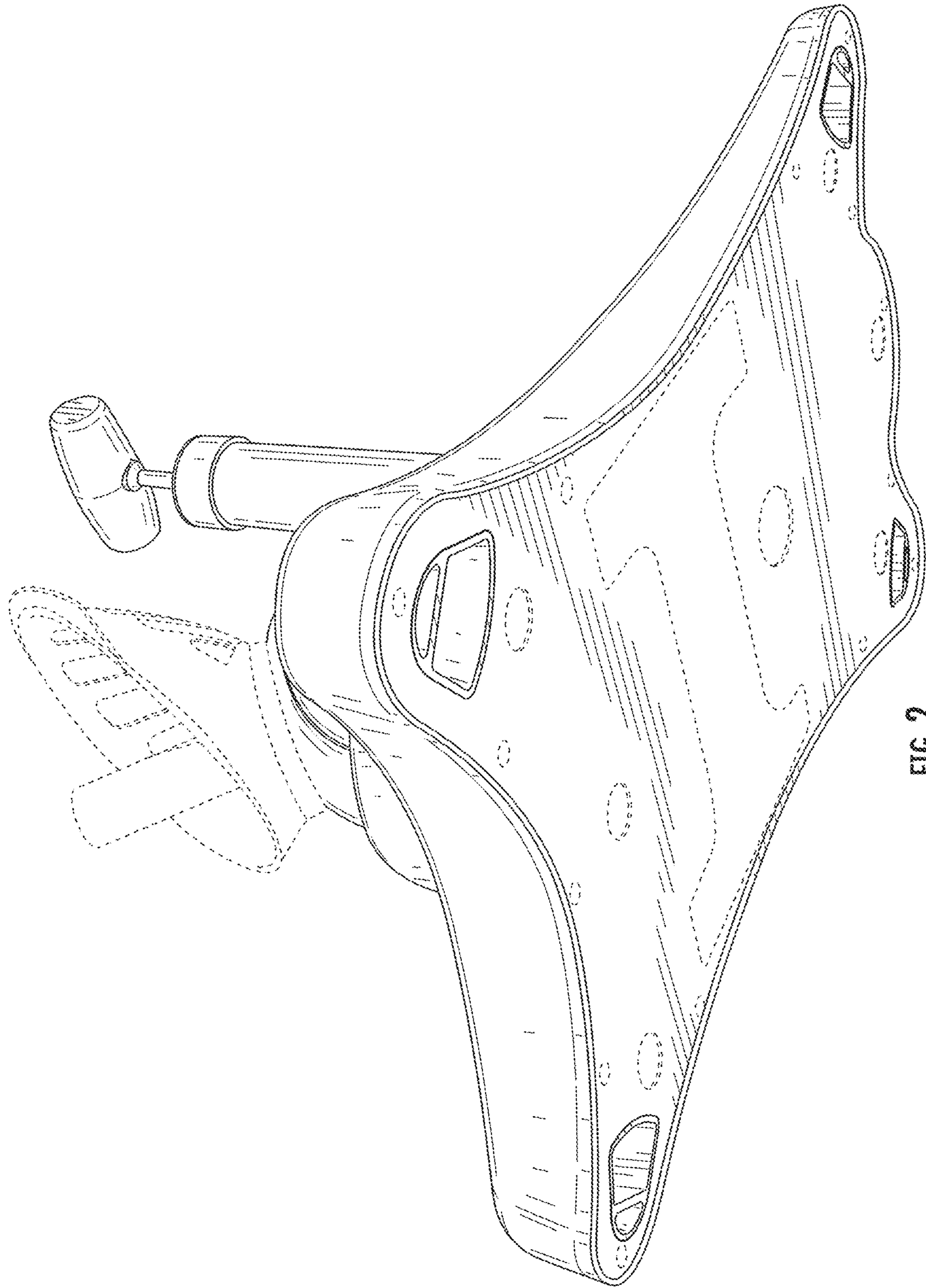


FIG. 2

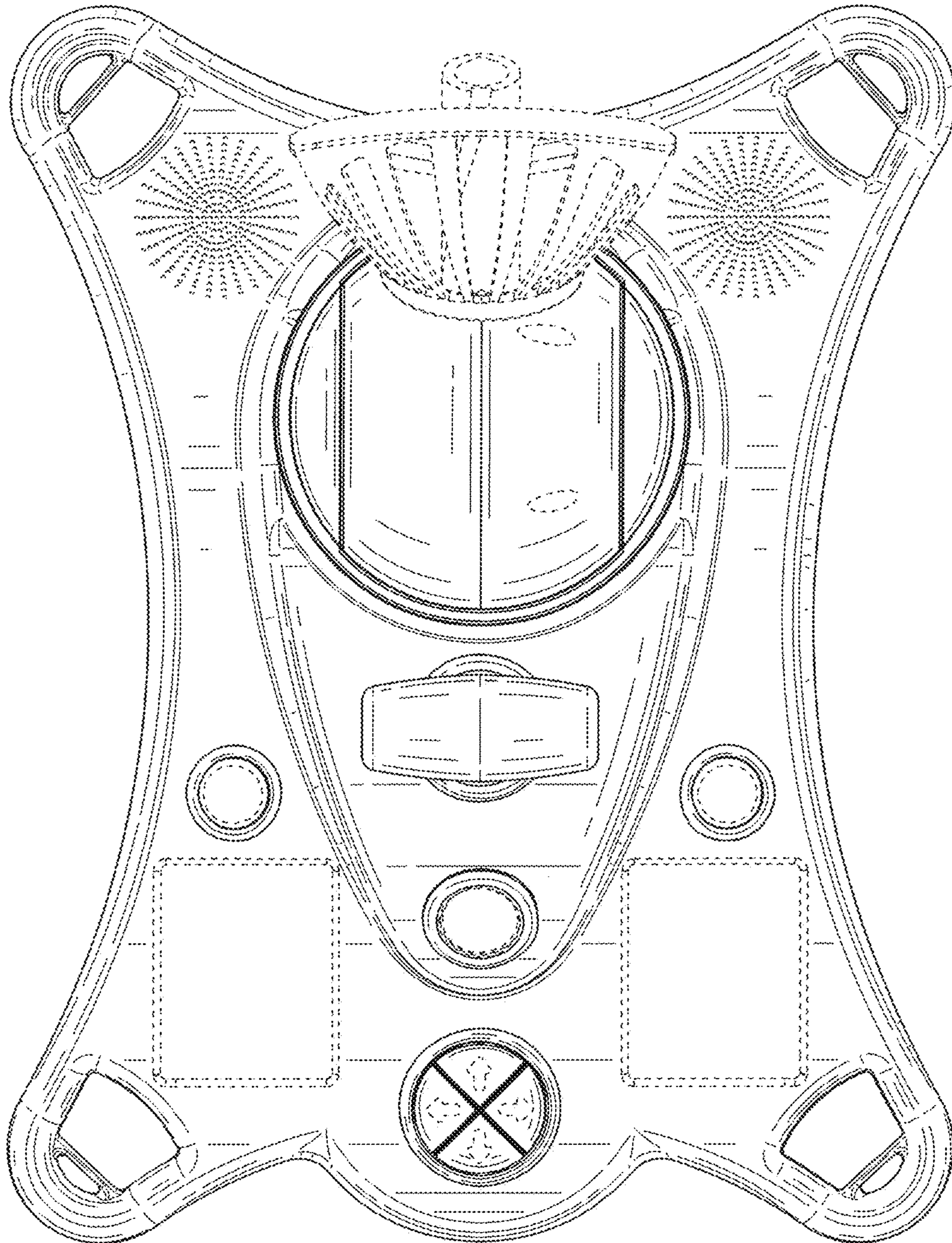


FIG. 3

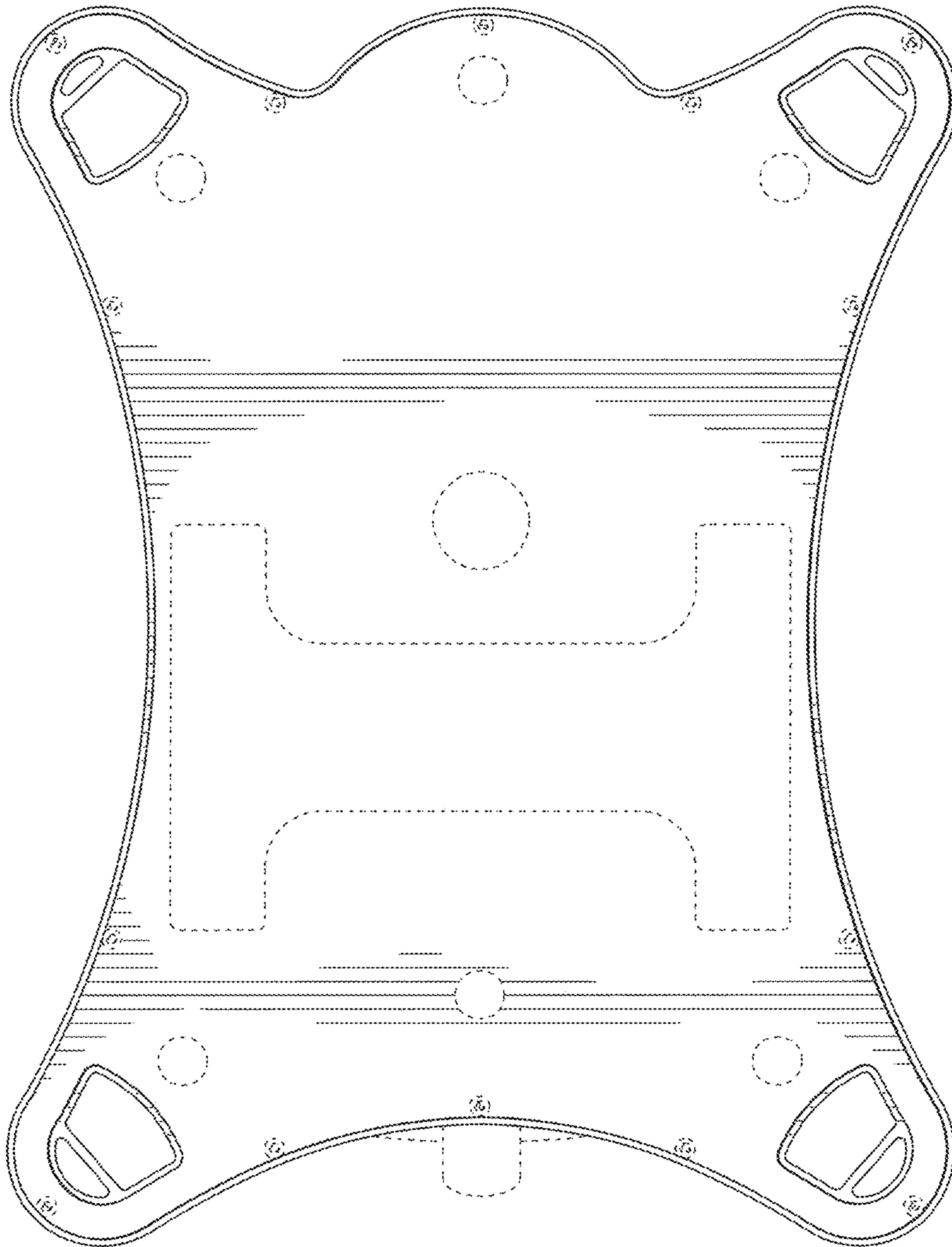


FIG. 4

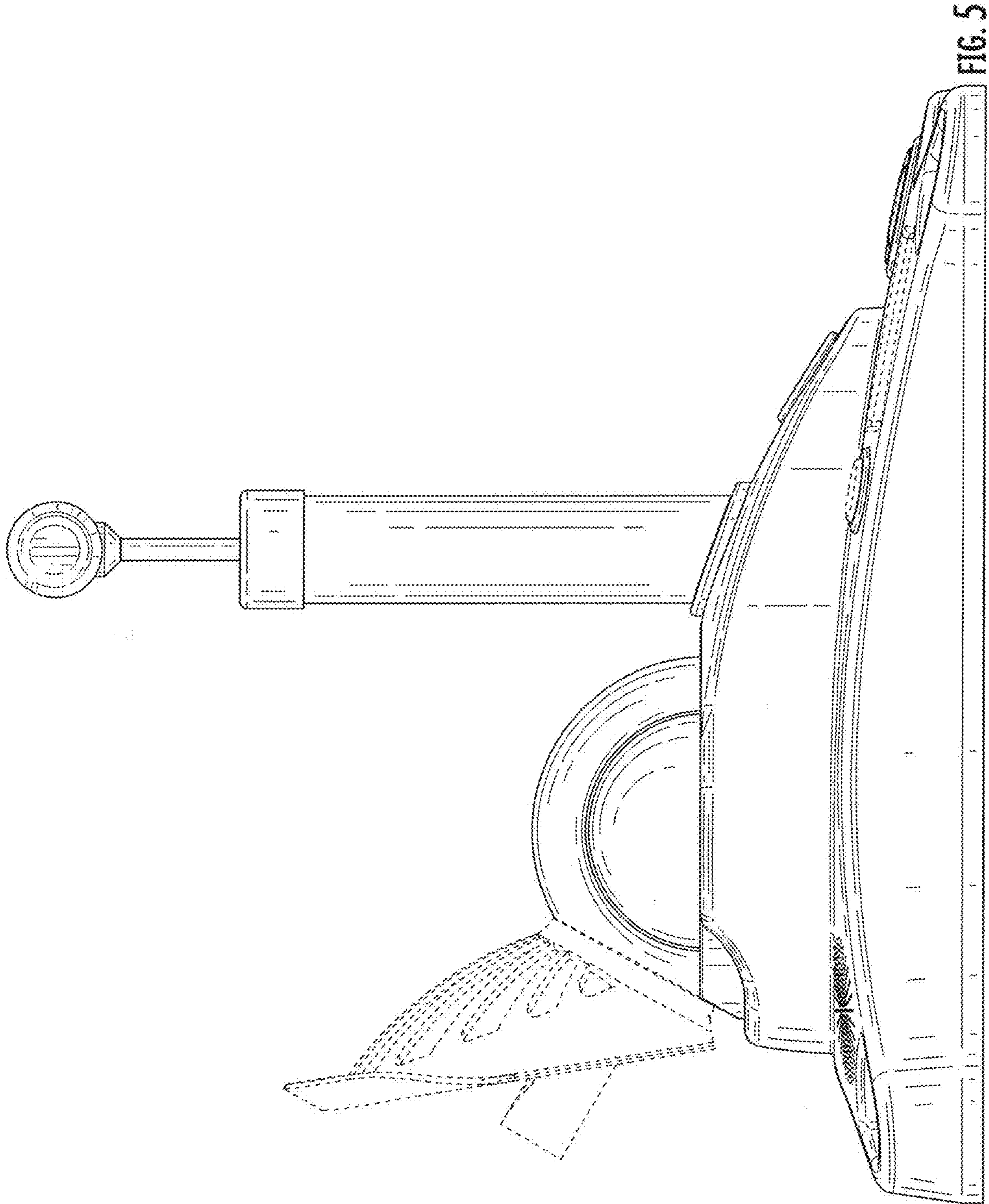
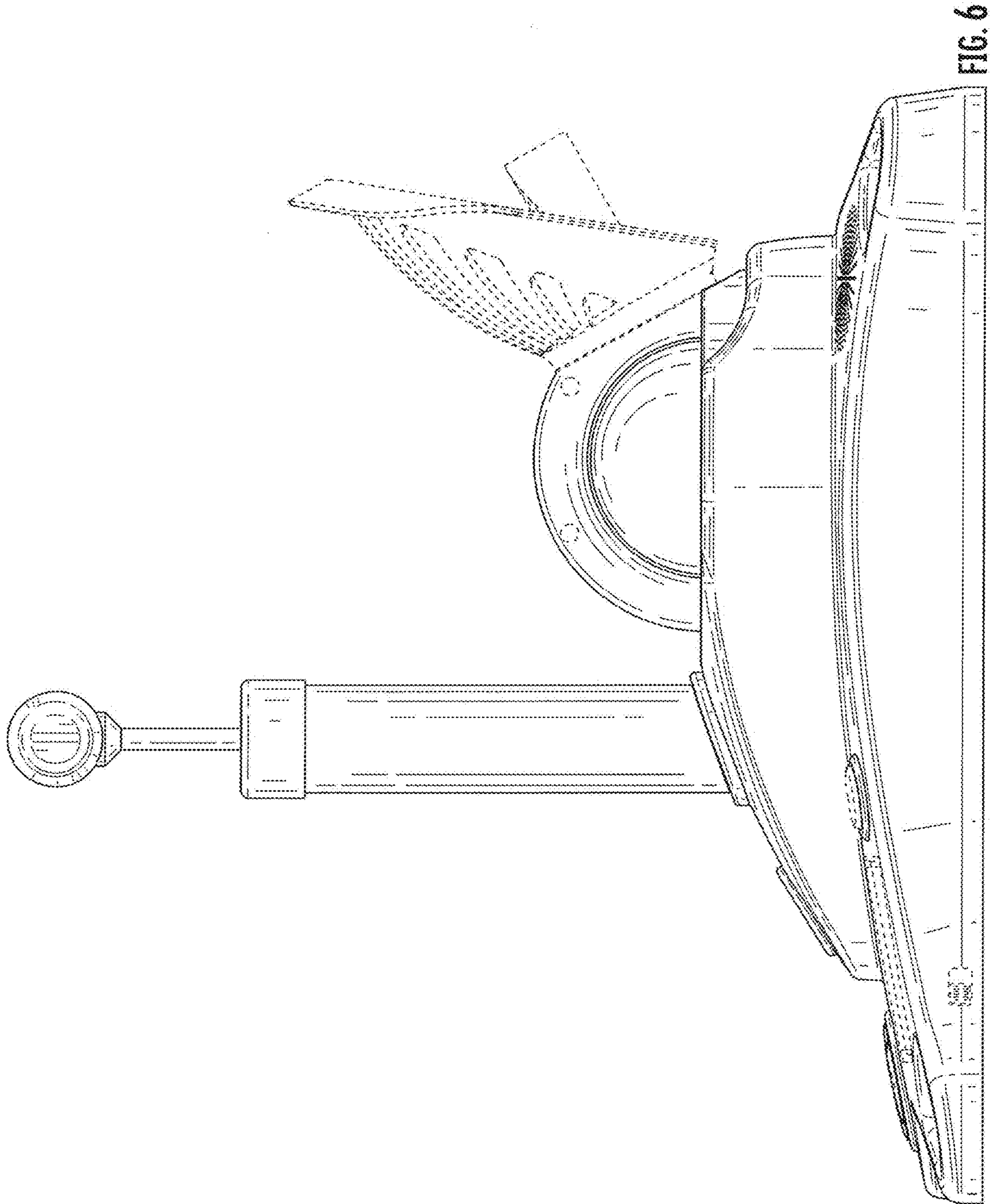


FIG. 5



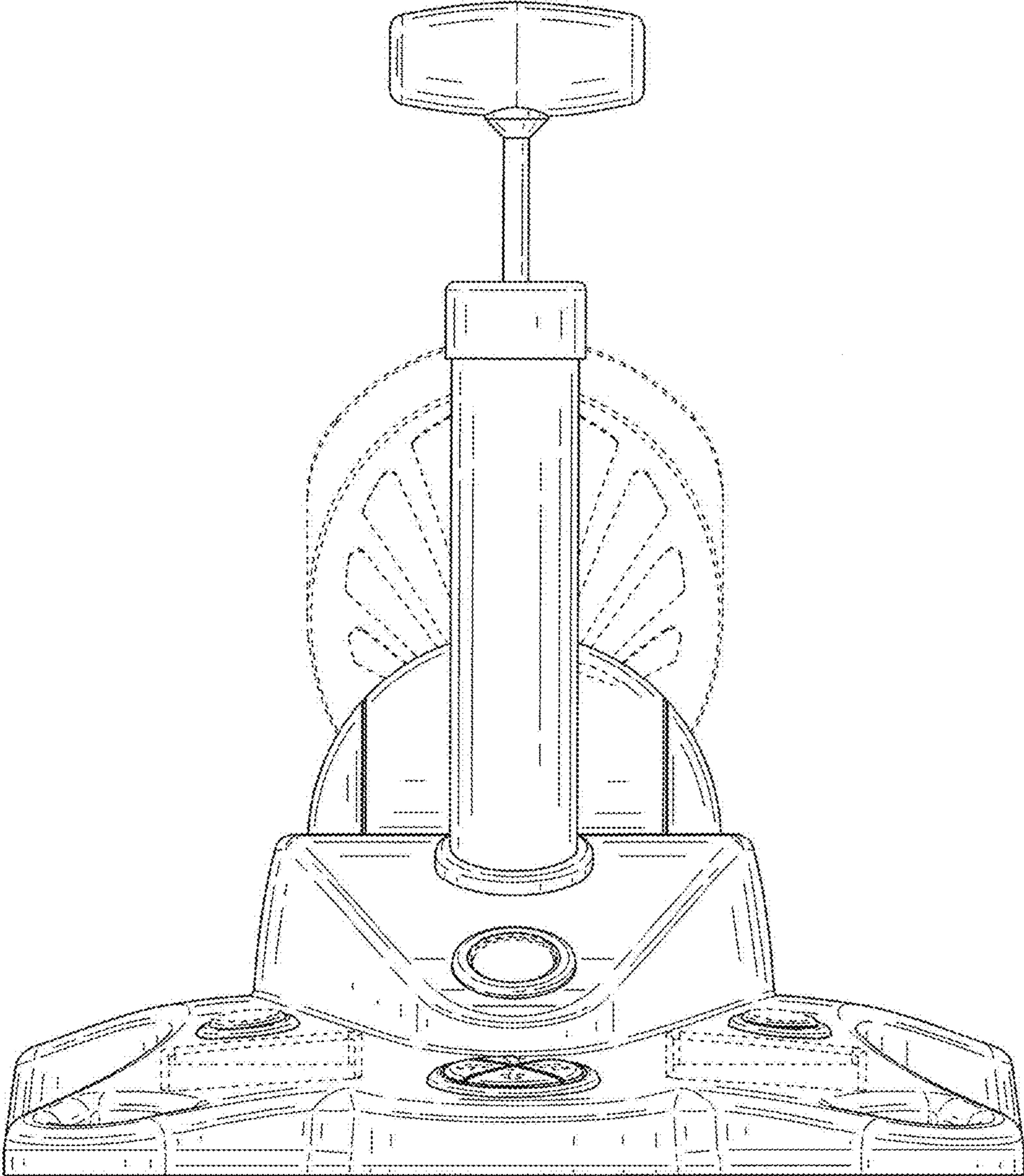


FIG. 7

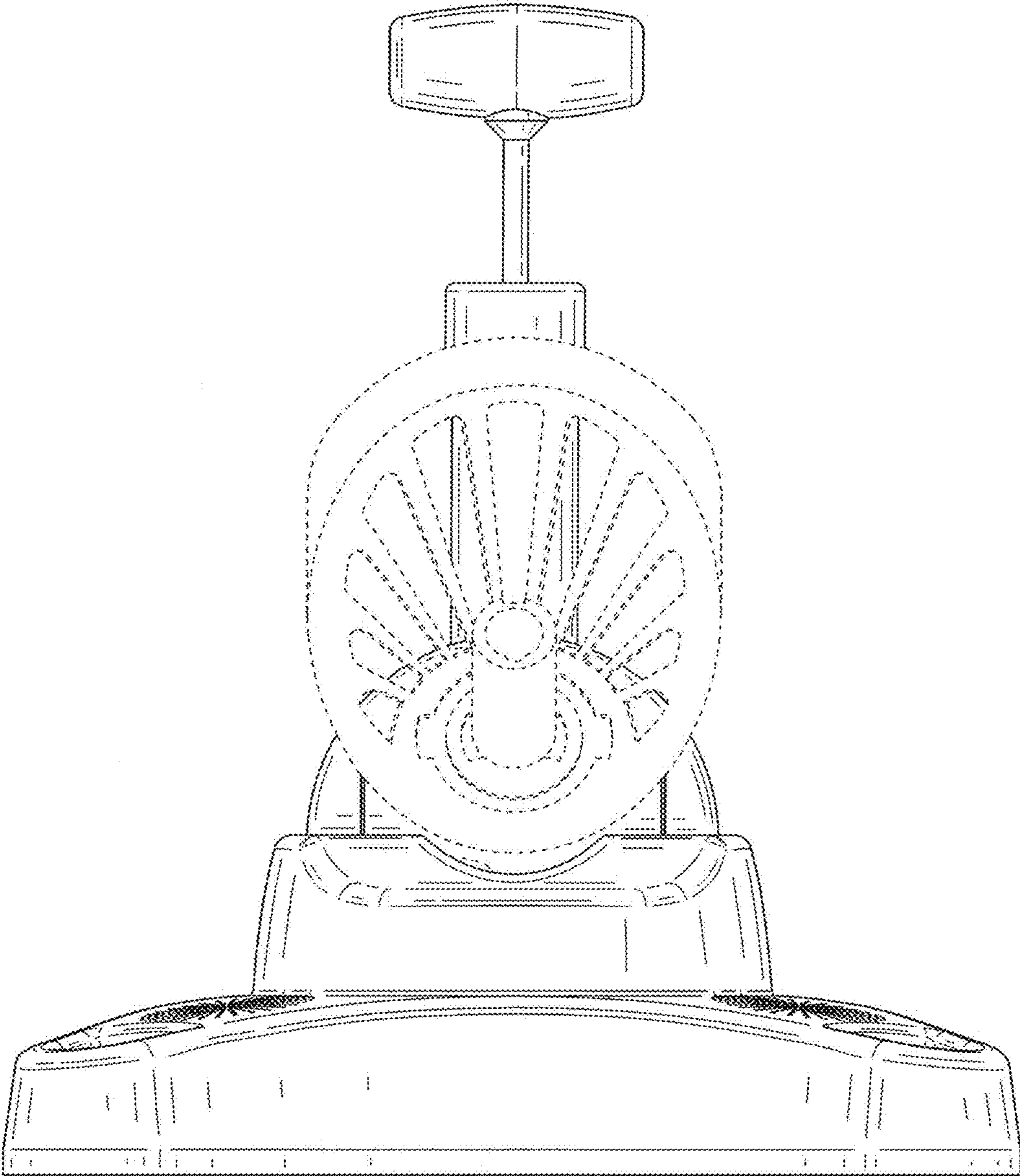


FIG. 8