



US00D989880S

(12) **United States Design Patent**
Samson et al.

(10) **Patent No.:** **US D989,880 S**
(45) **Date of Patent:** **** Jun. 20, 2023**

(54) **GAME**

(71) Applicant: **Sandstone Media, LLC**, Las Vegas, NV (US)

(72) Inventors: **James Samson**, Los Angeles, CA (US); **Kyle Rosenblum**, Los Angeles, CA (US); **Jonathan Sanford**, Los Angeles, CA (US); **Mark Manuel**, Los Angeles, CA (US)

(73) Assignee: **Sandstone Media, LLC**, Las Vegas, NH (US)

(**) Term: **15 Years**

(21) Appl. No.: **29/841,721**

(22) Filed: **Jun. 8, 2022**

(51) **LOC (14) Cl.** **21-01**

(52) **U.S. Cl.**
USPC **D21/342**

(58) **Field of Classification Search**
USPC D21/300, 310, 323, 324, 325, 326, 327, D21/328, 329, 330, 331, 332, 333, 334, D21/335, 336, 337, 342, 350, 369, 370, D21/371, 372, 373, 374, 385; D16/106
CPC A63F 3/00261; A63F 3/00574; A63F 3/0023; A63F 3/0052; A63F 9/06; A63F 9/0073; A63F 3/00634; A63F 9/1044; A63F 9/1204

See application file for complete search history.

(56) **References Cited**

U.S. PATENT DOCUMENTS

831,802 A * 9/1906 Sayre A63D 3/00
473/116
D119,591 S * 3/1940 Koci D21/322

D142,294 S * 8/1945 Brenner D21/312
D145,501 S * 9/1946 Altman D21/312
D161,248 S * 12/1950 Darr 473/19
D181,983 S * 1/1958 Lasting D21/319
D234,435 S * 3/1975 Pineiro, Jr. D21/303
D245,798 S * 9/1977 Norden D21/303
D309,922 S * 8/1990 Jorgensen D21/317
D343,219 S * 1/1994 Unterberger D21/317
5,558,373 A * 9/1996 Lesley A63F 7/3075
273/118 A
5,595,543 A * 1/1997 Wolk A63B 67/02
473/162
D382,601 S * 8/1997 Antill D21/303
7,294,062 B2 * 11/2007 Ting A63B 67/02
473/162
D586,406 S * 2/2009 Held D21/303
D760,337 S * 6/2016 Holland D21/791
11,065,519 B1 * 7/2021 Bahash A63B 57/40
D964,466 S * 9/2022 Samson D21/338
2003/0109318 A1 * 6/2003 Oyauchi A63B 24/0021
473/192
2021/0170264 A1 * 6/2021 King A63F 3/02

* cited by examiner

Primary Examiner — Mehri F Bajoul

(74) *Attorney, Agent, or Firm* — Patterson + Sheridan, LLP

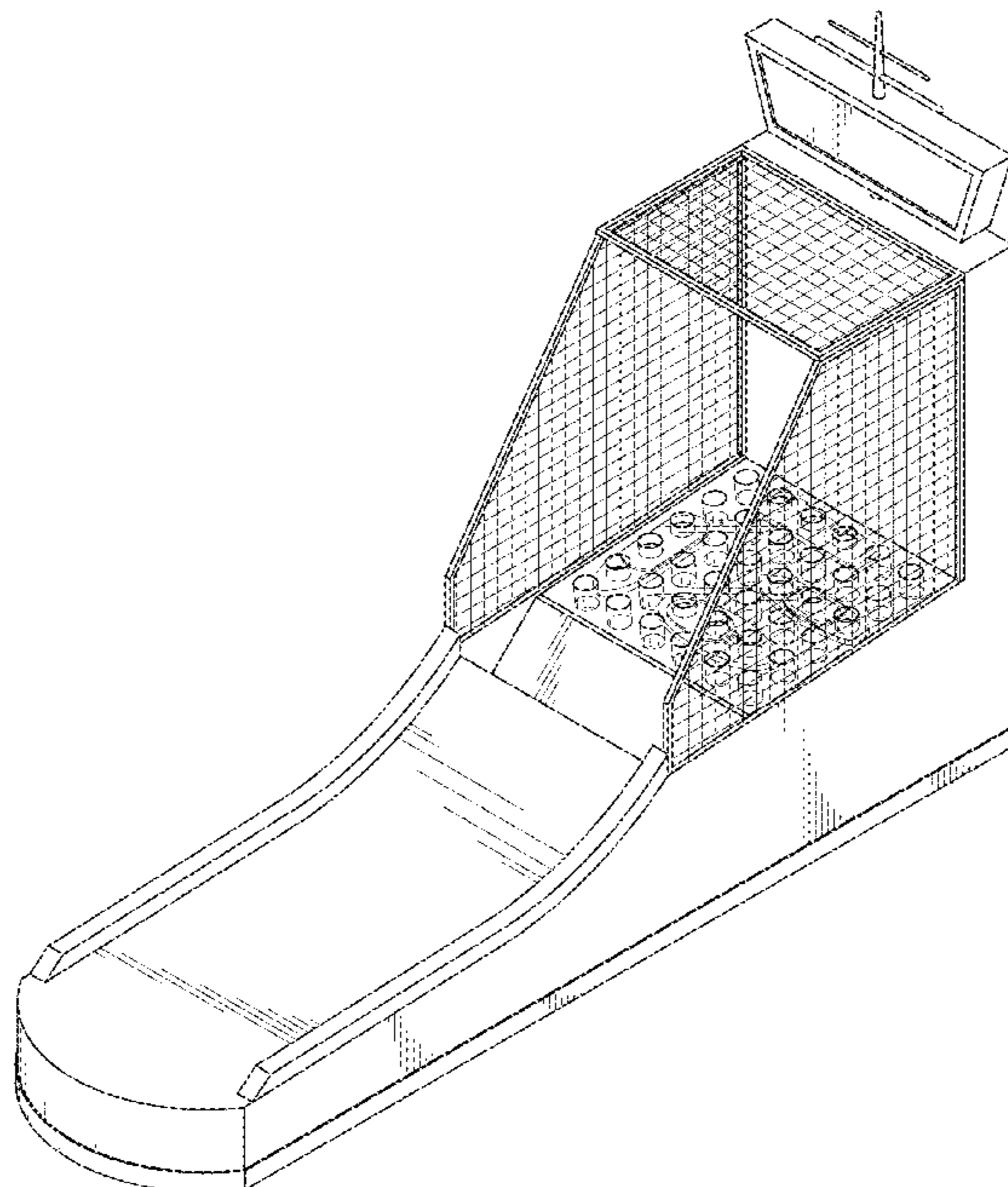
(57) **CLAIM**

The ornamental design for a game, as shown and described.

DESCRIPTION

FIG. 1 is a top, front, right perspective view of a game showing our new design; and, FIG. 2 is a top, front, left perspective view thereof. The oblique shade lines in the figures show transparency. The portions of the game illustrated in broken lines form no part of the claimed design.

1 Claim, 2 Drawing Sheets



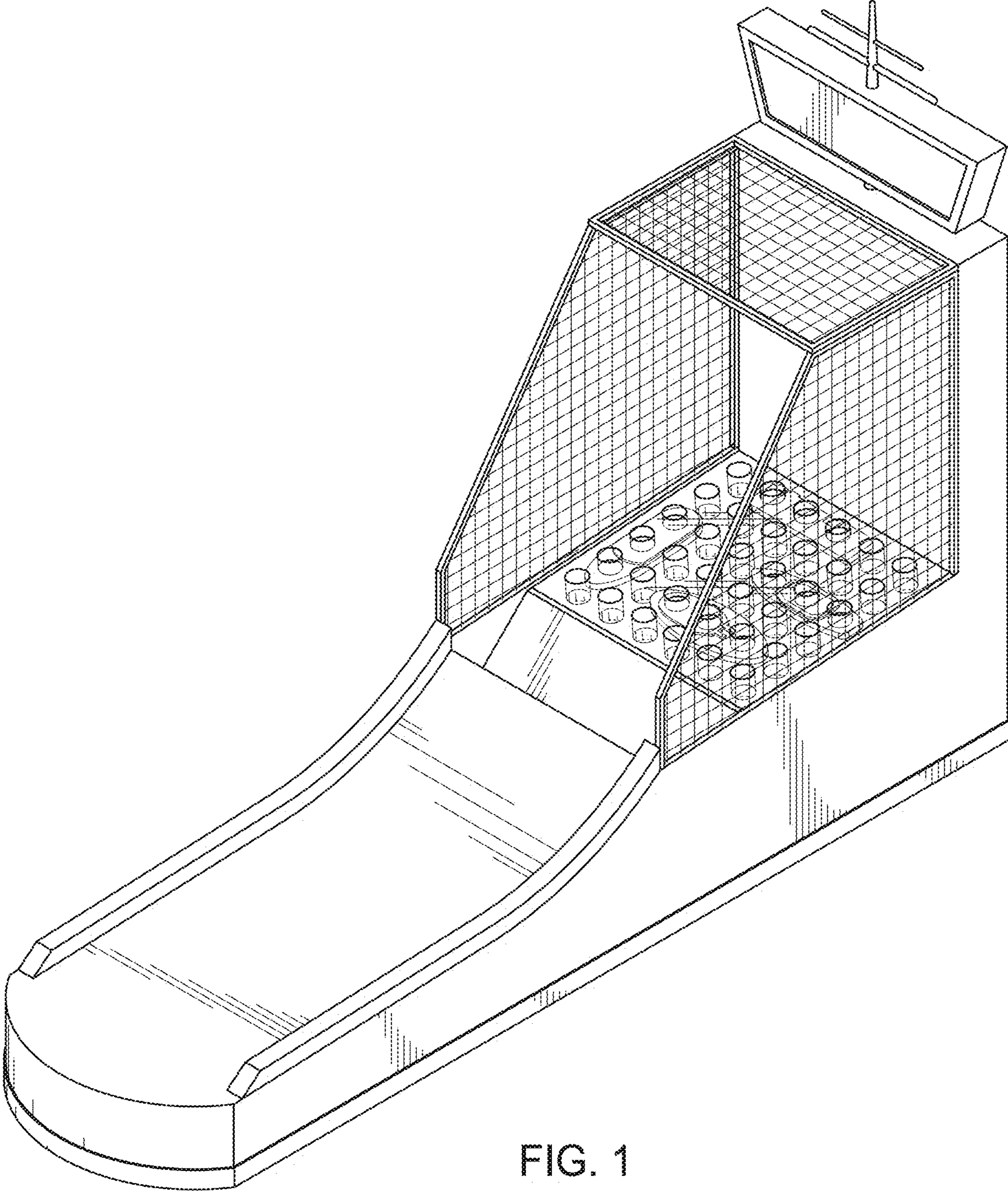


FIG. 1

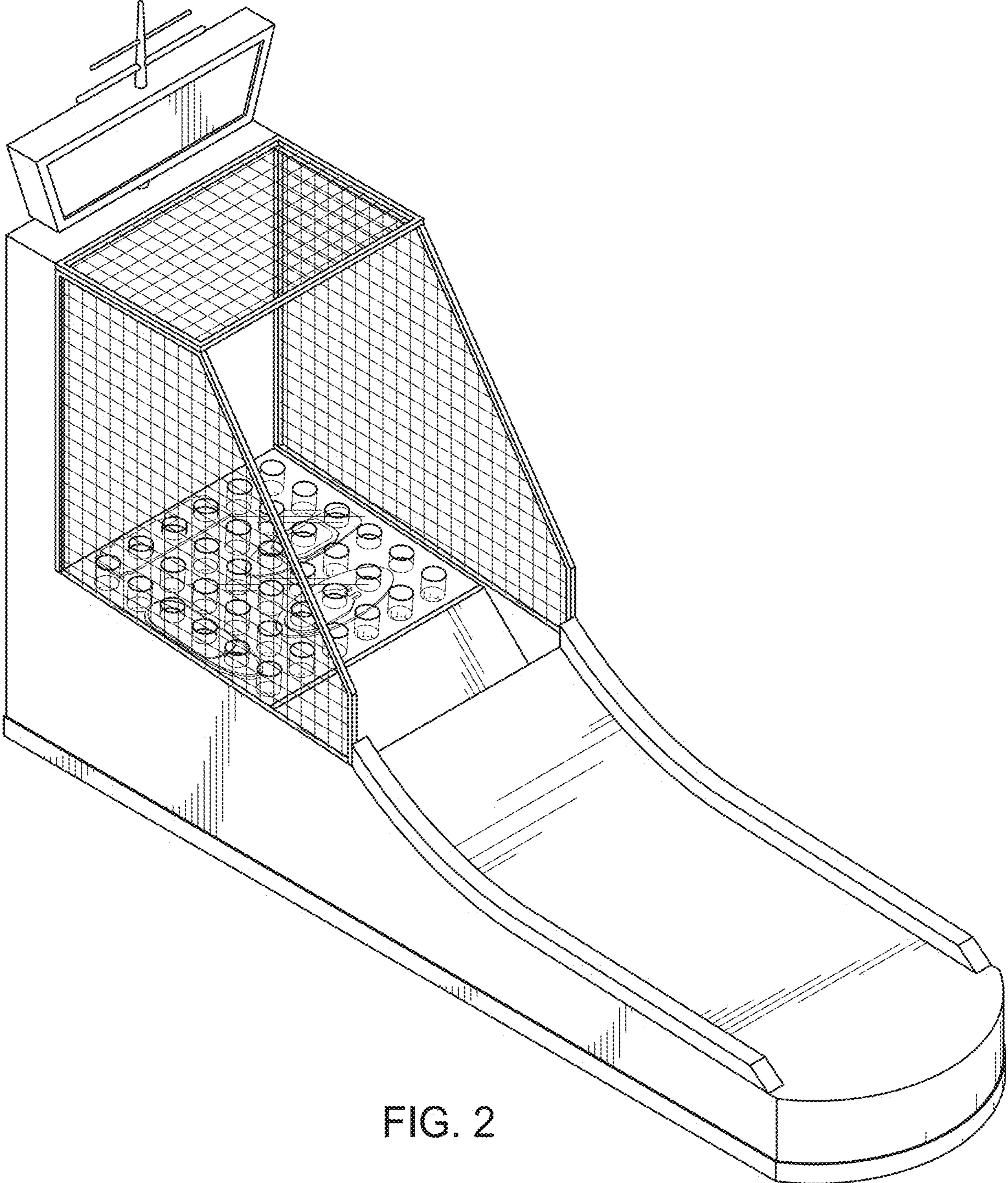


FIG. 2