



US00D989879S

(12) **United States Design Patent**
Samson et al.

(10) **Patent No.:** **US D989,879 S**
(45) **Date of Patent:** **** Jun. 20, 2023**

(54) **GAME**

(71) Applicant: **Sandstone Media, LLC**, Las Vegas, NV (US)

(72) Inventors: **James Samson**, Los Angeles, CA (US); **Kyle Rosenblum**, Los Angeles, CA (US); **Jonathan Sanford**, Los Angeles, CA (US); **Mark Manuel**, Los Angeles, CA (US)

(73) Assignee: **Sandstone Media, LLC**, Las Vegas, NV (US)

(**) Term: **15 Years**

(21) Appl. No.: **29/841,738**

(22) Filed: **Jun. 8, 2022**

(51) **LOC (14) Cl.** **21-01**

(52) **U.S. Cl.**
USPC **D21/334**

(58) **Field of Classification Search**
USPC D21/300, 310, 323, 324, 325, 326, 327, D21/328, 329, 330, 331, 332, 333, 334, D21/335, 336, 337, 342, 350, 369, 370, D21/371, 372, 373, 374, 385; D16/106
CPC A63F 3/00261; A63F 3/00574; A63F 3/0023; A63F 3/0052; A63F 9/06; A63F 9/0073; A63F 3/00634; A63F 9/1044; A63F 9/1204
See application file for complete search history.

(56) **References Cited**
U.S. PATENT DOCUMENTS

1,203,526 A * 10/1916 Gaines A63F 7/3622
D21/310

1,506,369 A * 8/1924 Guinan A63F 7/0005
273/123 R

1,534,522 A * 4/1925 Halliday A63F 7/305
273/127 R

1,549,038 A * 8/1925 Wilson A63F 7/0005
273/125 R

1,715,581 A * 6/1929 Usami A63F 7/0005
273/125 R

D87,840 S * 9/1932 Kirk D21/310

D89,973 S * 5/1933 Pointer et al. D21/310

D89,974 S * 5/1933 Pointer et al. D21/310

D90,728 S * 9/1933 Pointer et al. D21/310

D93,113 S * 8/1934 Kirk D21/323

D100,717 S * 8/1936 Schu D20/1

D109,328 S * 4/1938 Kirk D21/310

D109,927 S * 5/1938 Weissmauller D21/321

D116,677 S * 9/1939 Becker D21/312

D119,591 S * 3/1940 Koci D21/322

D140,742 S * 4/1945 Aitchison D21/312

D142,294 S * 8/1945 Brenner D21/312

D145,501 S * 9/1946 Altman D21/312

D159,928 S * 8/1950 Reising D21/312

D161,248 S * 12/1950 Darr 473/19

D167,066 S * 6/1952 Bronson D21/312

D186,234 S * 9/1959 Parnell, Jr. D21/341

D187,599 S * 4/1960 Wright D21/312

3,142,488 A * 7/1964 Portteus A63B 63/08
473/132

3,711,094 A * 1/1973 Coffman A63F 7/025
273/120 R

(Continued)

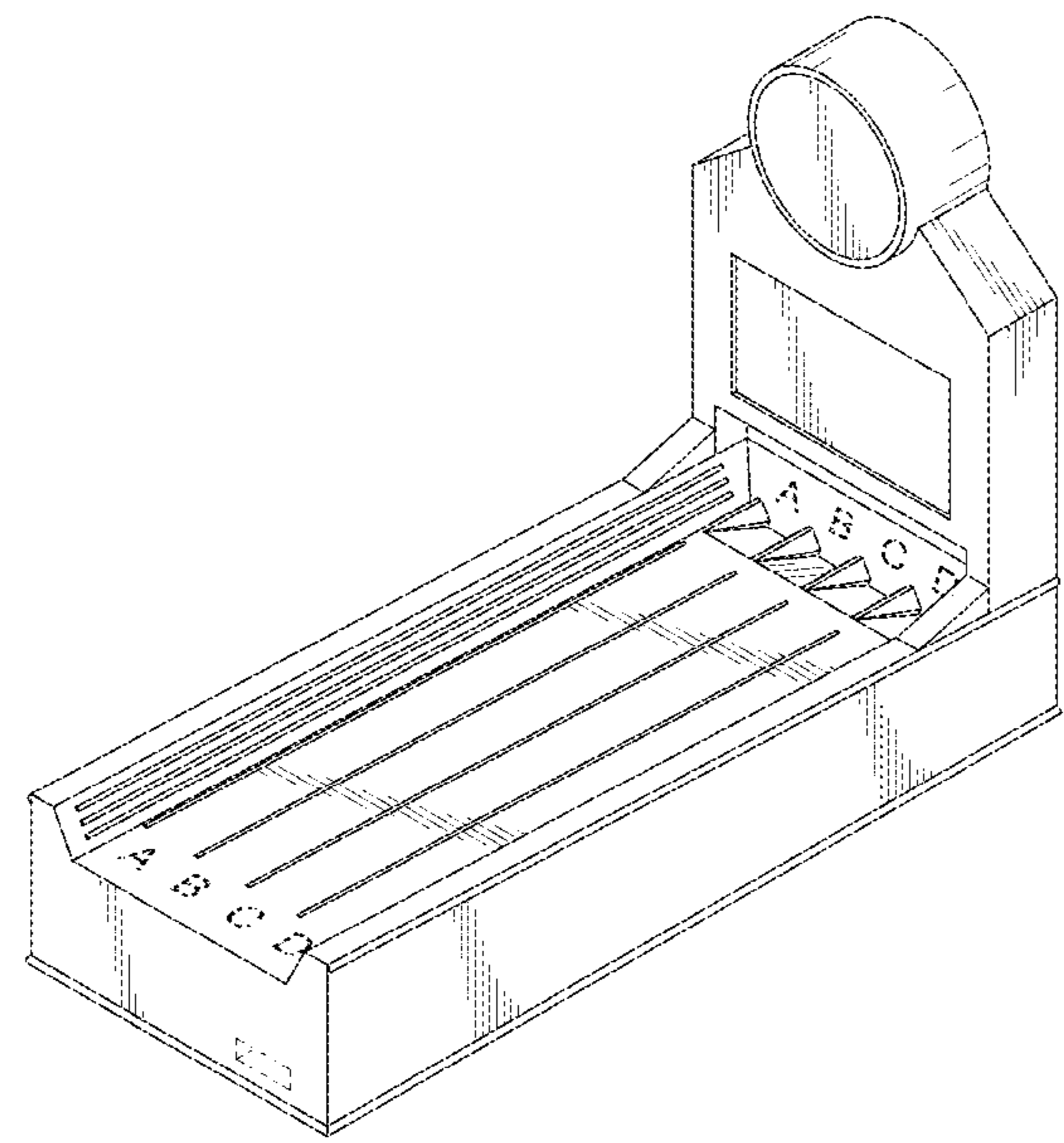
Primary Examiner — Mehri F Bajoul
(74) *Attorney, Agent, or Firm* — Patterson + Sheridan, LLP

(57) **CLAIM**
The ornamental design for a game, as shown and described.

DESCRIPTION

FIG. 1 is a top, front, right perspective view of a game showing our new design; and, FIG. 2 is a top, front, left perspective view thereof. The broken lines in the figures show portions of the game that form no part of the claimed design.

1 Claim, 2 Drawing Sheets



(56)

References Cited

U.S. PATENT DOCUMENTS

4,146,227	A *	3/1979	Kuna	A63B 65/12 273/127 D
D262,896	S *	2/1982	Dabbs	D21/312
4,804,182	A *	2/1989	Egger	A63B 43/02 473/115
5,123,647	A *	6/1992	Lawlor	A63F 7/3065 273/127 R
D337,790	S *	7/1993	Gottlieb	D21/323
D340,951	S *	11/1993	Howrilka	D21/312
D343,219	S *	1/1994	Unterberger	D21/317
D361,795	S *	8/1995	Abrudan	D21/321
D498,266	S *	11/2004	Reeves, Jr.	D21/318
7,294,062	B2 *	11/2007	Ting	A63B 67/02 473/162
D559,326	S *	1/2008	Humphrey	D21/324
D579,055	S *	10/2008	Popadiuk, Jr.	D21/323
D587,319	S *	2/2009	Moises Deiab	D21/325
D694,341	S *	11/2013	Quint, Jr.	D21/315
8,864,596	B1 *	10/2014	Maranian, Jr.	A63B 67/02 473/162
D740,383	S *	10/2015	Shadle	D21/791
D760,337	S *	6/2016	Holland	D21/791
D773,373	S *	12/2016	Mayes	D21/310
D963,753	S *	9/2022	Samson	D21/338
D964,465	S *	9/2022	Samson	D21/338

* cited by examiner

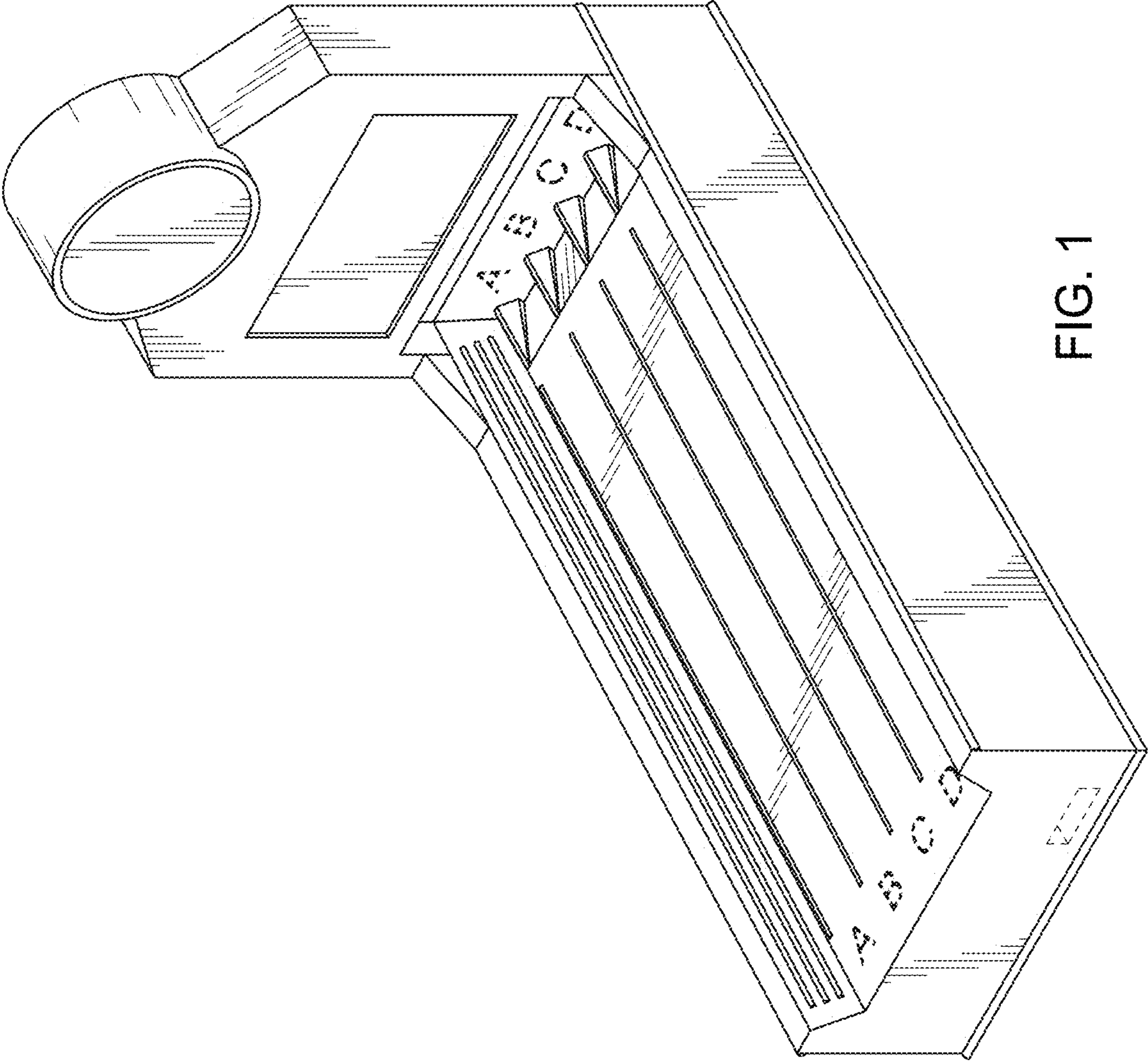


FIG. 1

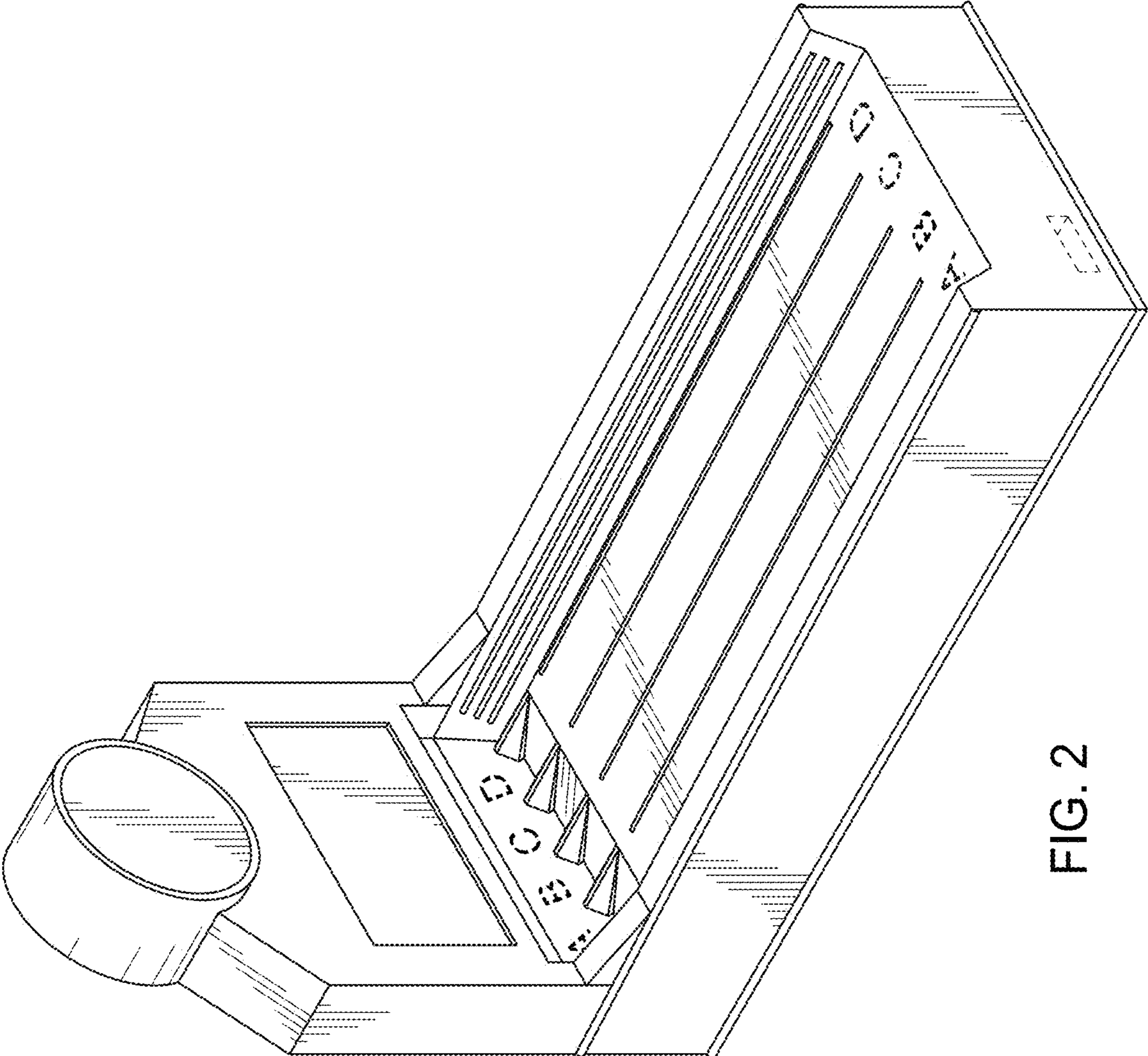


FIG. 2