



US00D989878S

(12) **United States Design Patent**
Samson et al.

(10) **Patent No.:** **US D989,878 S**
(45) **Date of Patent:** **** Jun. 20, 2023**

(54) **GAME**

(71) Applicant: **Sandstone Media, LLC**, Las Vegas, NV (US)

(72) Inventors: **James Samson**, Los Angeles, CA (US); **Kyle Rosenblum**, Los Angeles, CA (US); **Jonathan Sanford**, Los Angeles, CA (US); **Mark Manuel**, Los Angeles, CA (US)

(73) Assignee: **Sandstone Media, LLC**, Las Vegas, NV (US)

(**) Term: **15 Years**

(21) Appl. No.: **29/825,426**

(22) Filed: **Feb. 1, 2022**

(51) **LOC (14) Cl.** **21-01**

(52) **U.S. Cl.**
USPC **D21/322**

(58) **Field of Classification Search**
USPC D21/300, 310, 322, 323, 324, 325, 326, D21/327, 328, 329, 330, 331, 332, 333, D21/334, 335, 336, 337, 342, 350, 369, D21/370, 371, 372, 373, 374, 385; D16/106
CPC A63F 3/00261; A63F 3/00574; A63F 3/0023; A63F 3/0052; A63F 9/06; A63F 9/0073; A63F 3/00634; A63F 9/1044; A63F 9/1204
See application file for complete search history.

D259,350 S * 5/1981 Stulik D21/322
4,573,686 A 3/1986 Nakamats
D315,753 S 3/1991 Stephensen et al.
D356,836 S 3/1995 Pedersen
5,465,965 A * 11/1995 Wurz A63F 7/3065
273/121 A
D368,119 S 3/1996 Hourie
5,507,488 A * 4/1996 Eddy A63F 7/027
273/127 R
5,558,373 A * 9/1996 Lesley A63F 7/3075
273/118 A
5,860,648 A * 1/1999 Petermeier G07F 17/3297
273/371
5,913,516 A * 6/1999 Piotrowski A63F 7/027
273/127 R
5,944,309 A * 8/1999 Popadiuk A63F 7/027
273/121 A
D532,056 S * 11/2006 Boutin D21/598
7,294,062 B2 11/2007 Ting
7,556,566 B2 * 7/2009 Shin A63B 69/3661
473/162
D689,557 S * 9/2013 Popadiuk D21/322
D731,001 S * 6/2015 Phillips D21/598
D864,501 S 10/2019 Seadler et al.

(Continued)

Primary Examiner — Mehri F Bajoul
(74) *Attorney, Agent, or Firm* — Patterson + Sheridan, LLP

(57) **CLAIM**

The ornamental design for a game, as shown and described.

DESCRIPTION

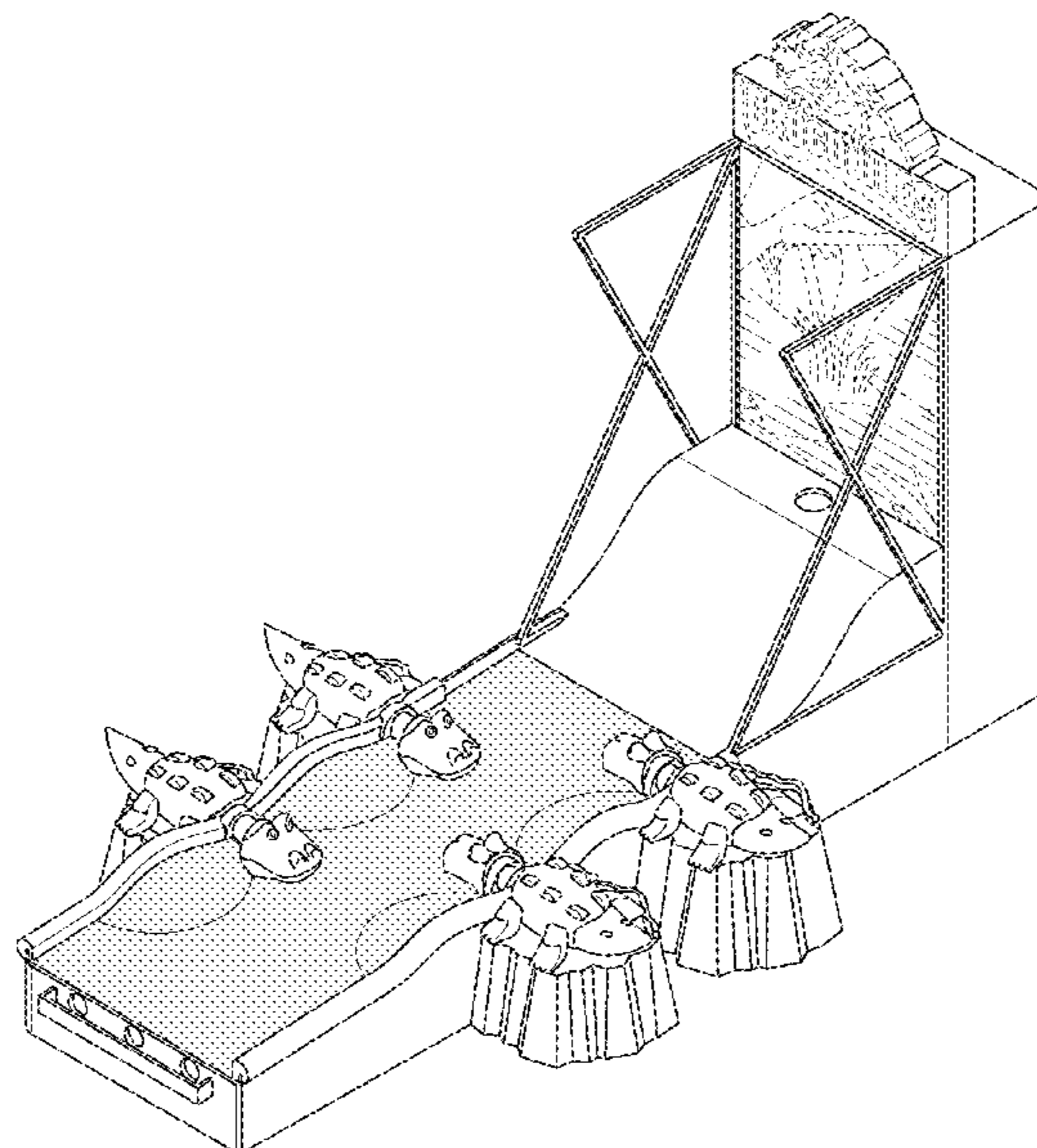
FIG. 1 is a top, front, right perspective view of a game showing our new design; and, FIG. 2 is a top, front, left perspective view thereof. The shaded portions in the figures indicate contrast in appearance only and are not limited to any particular color, shade, or pattern. The broken lines in the figures show portions of the game that form no part of the claimed design.

1 Claim, 2 Drawing Sheets

(56) **References Cited**

U.S. PATENT DOCUMENTS

D87,840 S * 9/1932 Kirk D21/310
D119,591 S * 3/1940 Koci D21/322
2,724,594 A 11/1955 Anderson
2,926,915 A 3/1960 Johns



(56)

References Cited

U.S. PATENT DOCUMENTS

D895,017 S *	9/2020	Kogure	D21/364
11,065,519 B1 *	7/2021	Bahash	A63B 57/40
2003/0109318 A1 *	6/2003	Oyauchi	A63B 24/0021
			473/192
2005/0206084 A1 *	9/2005	Krouse	A63F 7/0058
			273/352
2016/0038809 A1	2/2016	Rockwell	

* cited by examiner

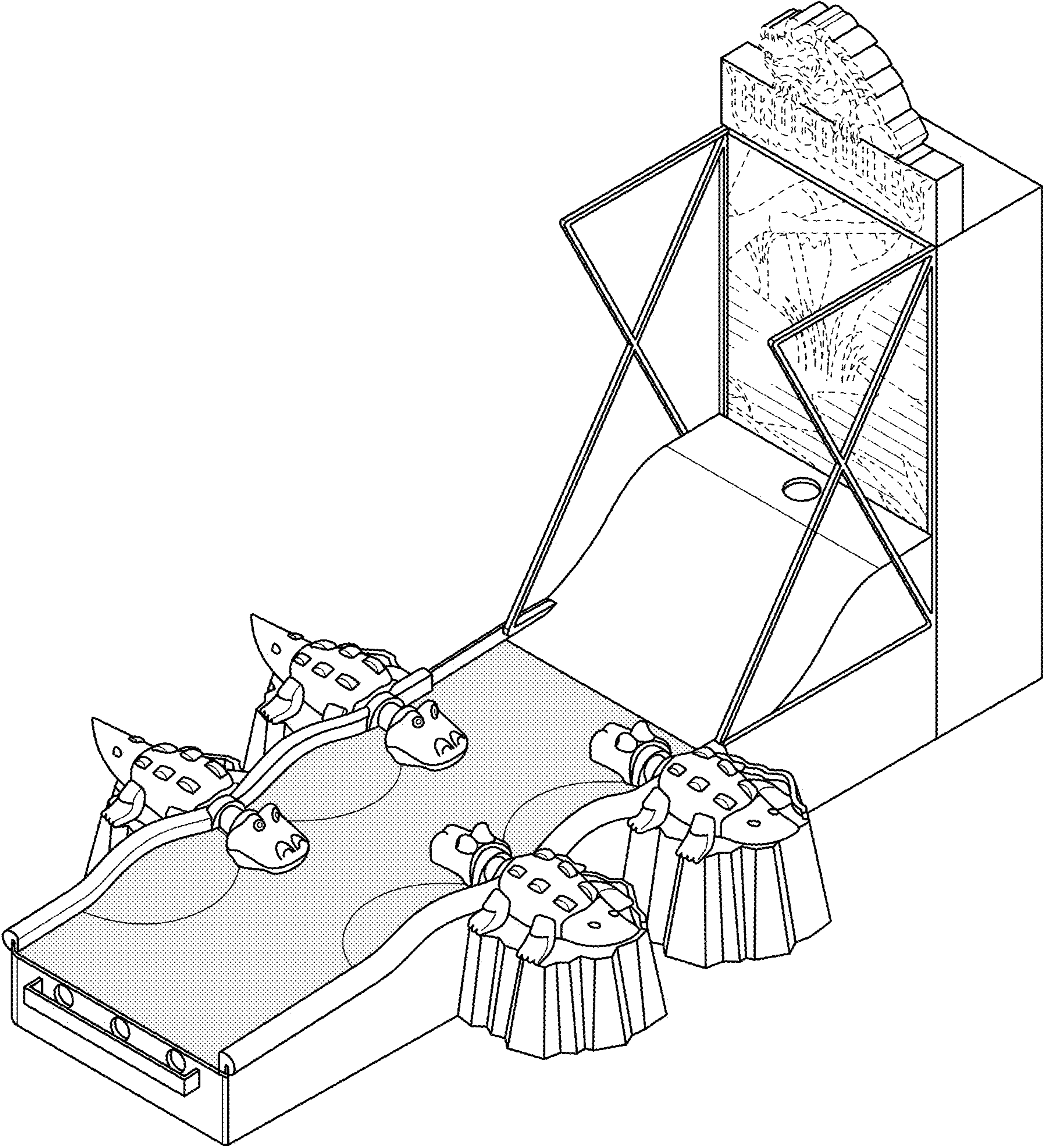


FIG. 1

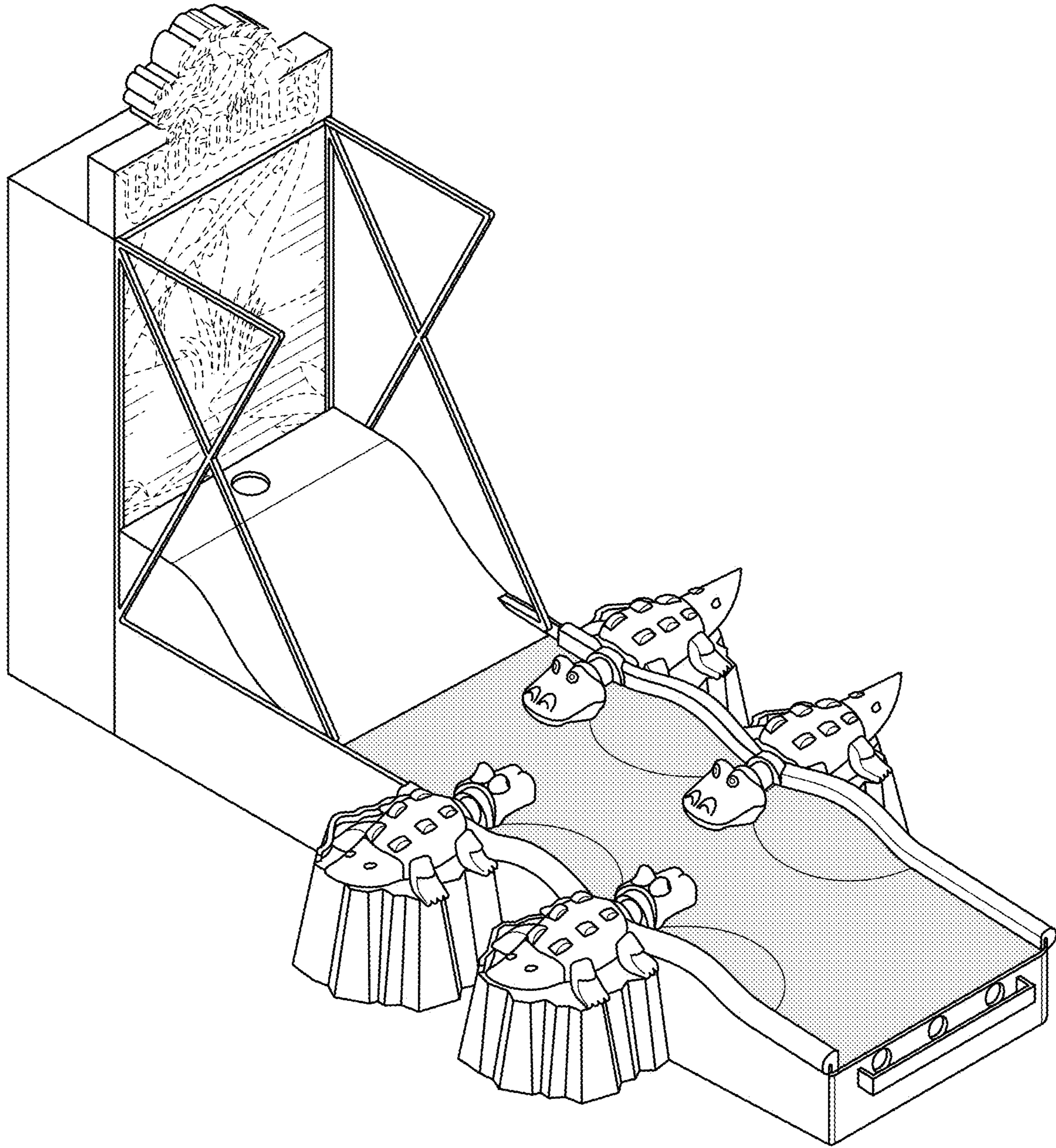


FIG. 2