



US00D989876S

(12) **United States Design Patent**  
**Samson et al.**

(10) **Patent No.:** **US D989,876 S**  
(45) **Date of Patent:** **\*\* Jun. 20, 2023**

(54) **GAME**  
(71) Applicant: **Sandstone Media, LLC**, Las Vegas, NV (US)  
(72) Inventors: **James Samson**, Los Angeles, CA (US); **Kyle Rosenblum**, Los Angeles, CA (US); **Jonathan Sanford**, Los Angeles, CA (US); **Mark Manuel**, Los Angeles, CA (US)  
(73) Assignee: **Sandstone Media, LLC**, Las Vegas, NV (US)

D351,866 S \* 10/1994 Freels ..... D21/325  
D357,963 S \* 5/1995 Amburgey ..... D21/342  
D361,795 S \* 8/1995 Abrudan ..... D21/321  
5,595,543 A \* 1/1997 Wolk ..... A63B 67/02  
473/162  
D409,704 S \* 5/1999 Nunes ..... D21/791  
6,283,873 B1 \* 9/2001 Nunes ..... A63B 57/357  
473/174  
D606,126 S \* 12/2009 Ujita ..... D21/397  
D634,780 S \* 3/2011 Schumann ..... D19/9  
D706,494 S \* 6/2014 Hansen ..... D30/121  
8,864,596 B1 \* 10/2014 Maranian, Jr. .... A63B 67/02  
473/162  
D773,373 S \* 12/2016 Mayes ..... D21/310  
D933,153 S \* 10/2021 McDonald ..... D21/791  
D955,486 S \* 6/2022 Wang ..... D21/325  
D964,465 S \* 9/2022 Samson ..... D21/338  
D964,466 S \* 9/2022 Samson ..... D21/338

(\*\*) Term: **15 Years**

(21) Appl. No.: **29/841,735**

(22) Filed: **Jun. 8, 2022**

(51) **LOC (14) Cl.** ..... **21-01**

(52) **U.S. Cl.**  
USPC ..... **D21/325**

(58) **Field of Classification Search**  
USPC ..... D21/300, 310, 323, 324, 325, 326, 327, D21/328, 329, 330, 331, 332, 333, 334, D21/335, 336, 337, 342, 350, 369, 370, D21/371, 372, 373, 374, 385; D16/106  
CPC ..... A63F 3/00261; A63F 3/00574; A63F 3/0023; A63F 3/0052; A63F 9/06; A63F 9/0073; A63F 3/00634; A63F 9/1044; A63F 9/1204

See application file for complete search history.

(56) **References Cited**

**U.S. PATENT DOCUMENTS**

1,715,581 A \* 6/1929 Usami ..... A63F 7/0005  
273/125 R  
5,139,262 A \* 8/1992 Lai ..... A63B 57/40  
473/181

\* cited by examiner

*Primary Examiner* — Mehri F Bajoul

(74) *Attorney, Agent, or Firm* — Patterson + Sheridan, LLP

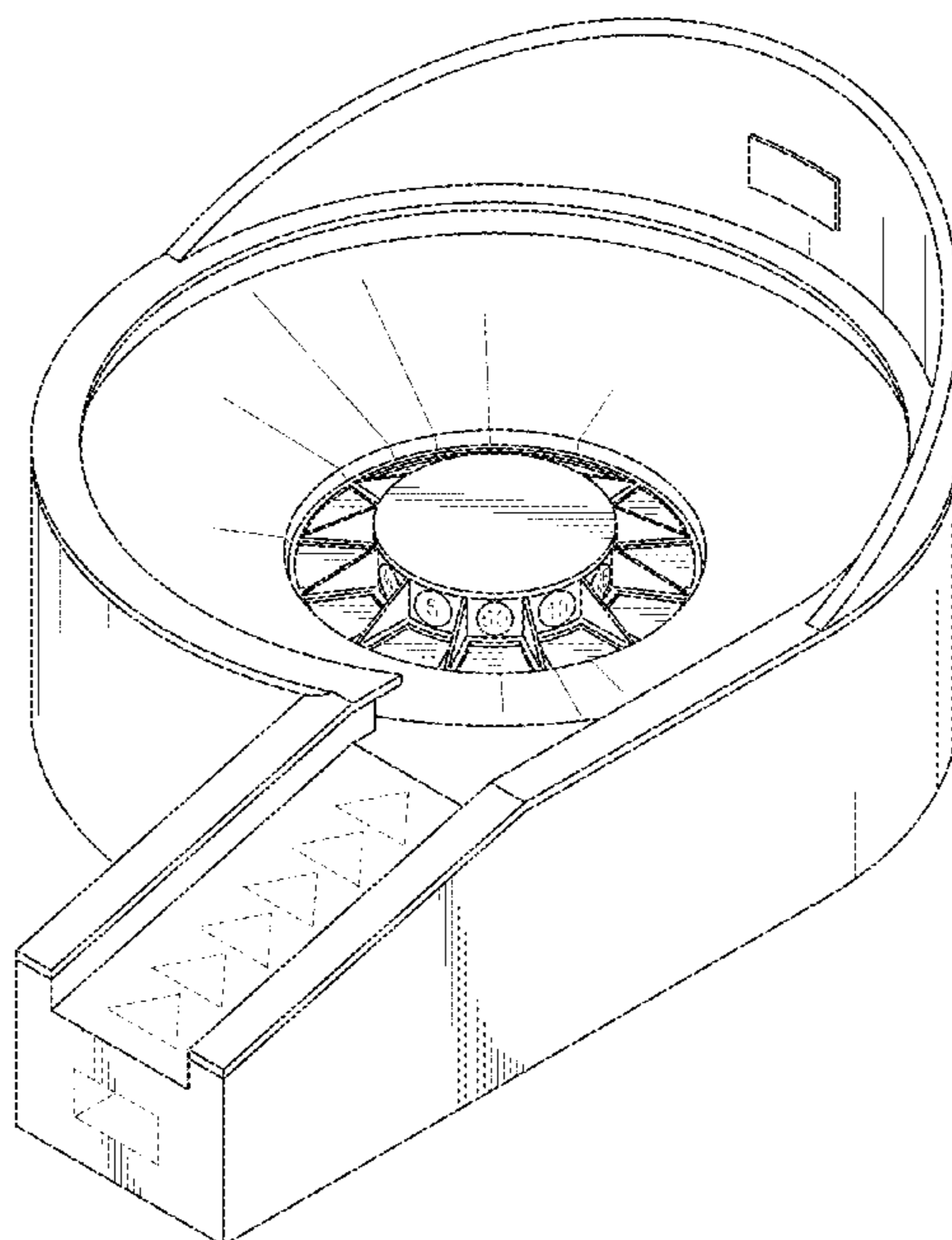
(57) **CLAIM**

The ornamental design for a game, as shown and described.

**DESCRIPTION**

FIG. 1 is a top, front, right perspective view of a game showing our new design; and, FIG. 2 is a top, front, left perspective view thereof. The broken lines in the figures show portions of the game that form no part of the claimed design.

**1 Claim, 2 Drawing Sheets**



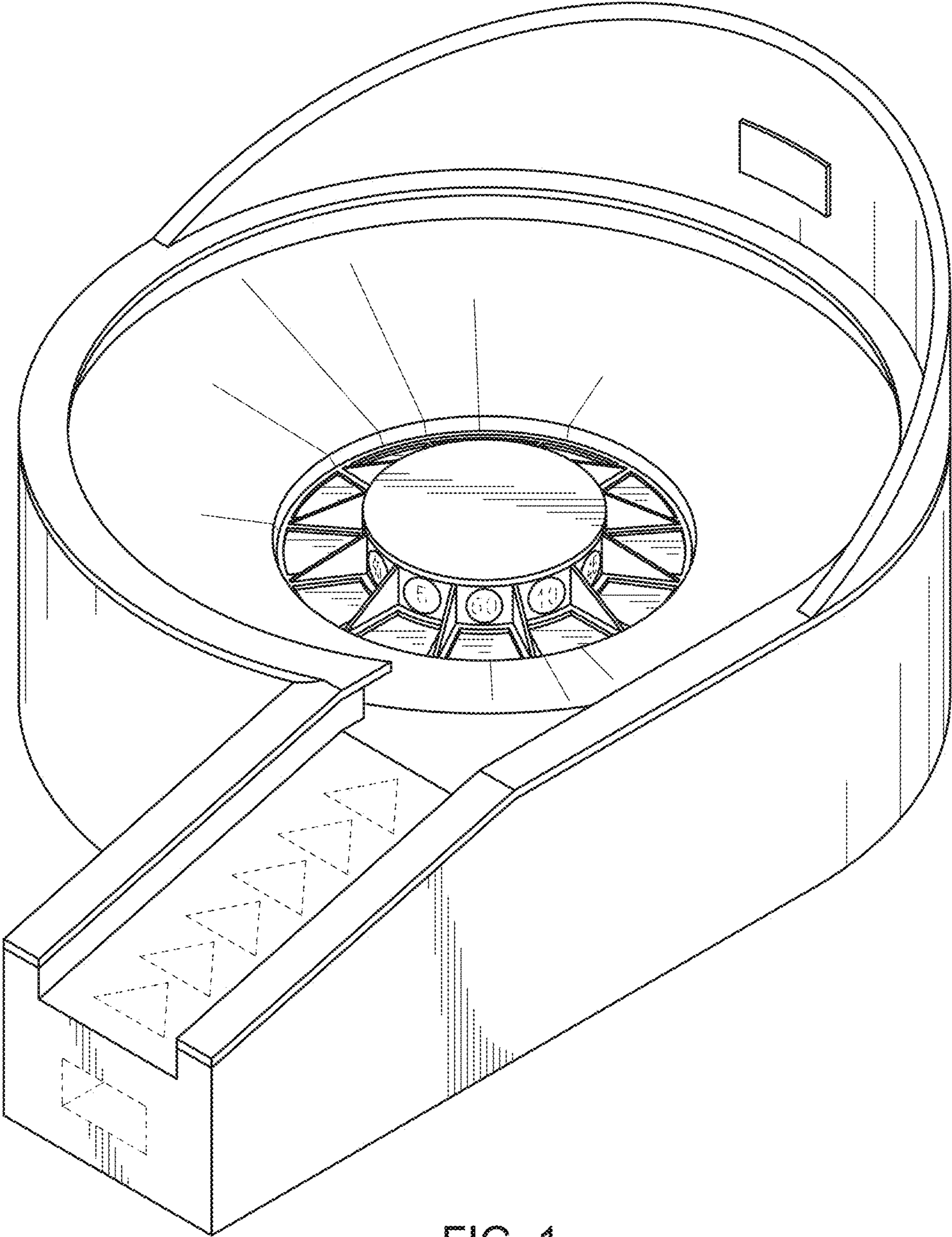


FIG. 1

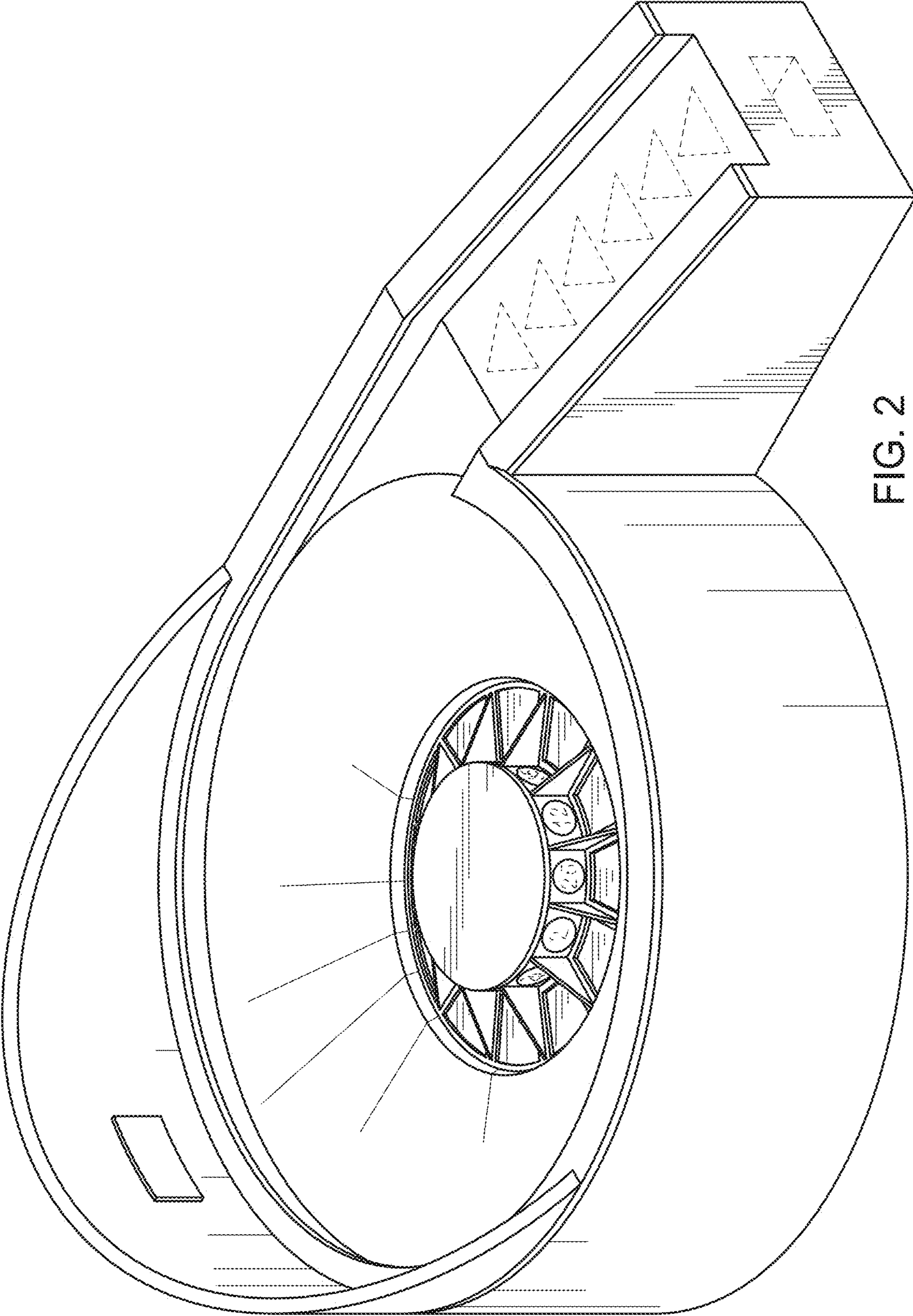


FIG. 2