



US00D989875S

(12) **United States Design Patent**
Samson et al.

(10) **Patent No.:** **US D989,875 S**
(45) **Date of Patent:** **** Jun. 20, 2023**

- (54) **GAME**
- (71) Applicant: **Sandstone Media, LLC**, Las Vegas, NV (US)
- (72) Inventors: **James Samson**, Los Angeles, CA (US); **Kyle Rosenblum**, Los Angeles, CA (US); **Jonathan Sanford**, Los Angeles, CA (US); **Mark Manuel**, Los Angeles, CA (US)
- (73) Assignee: **Sanstone Media, LLC**, Las Vegas, NV (US)
- (**) Term: **15 Years**
- (21) Appl. No.: **29/841,732**
- (22) Filed: **Jun. 8, 2022**
- (51) **LOC (14) Cl.** **21-01**
- (52) **U.S. Cl.**
USPC **D21/325**
- (58) **Field of Classification Search**
USPC D21/300, 310, 323, 324, 325, 326, 327, D21/328, 329, 330, 331, 332, 333, 334, D21/335, 336, 337, 342, 350, 369, 370, D21/371, 372, 373, 374, 385; D16/106
CPC A63F 3/00261; A63F 3/00574; A63F 3/0023; A63F 3/0052; A63F 9/06; A63F 9/0073; A63F 3/00634; A63F 9/1044; A63F 9/1204
See application file for complete search history.

(56) **References Cited**

U.S. PATENT DOCUMENTS

- 1,203,526 A * 10/1916 Gaines A63F 7/3622 D21/310
- 1,506,369 A * 8/1924 Guinan A63F 7/0005 273/123 R
- 1,534,522 A * 4/1925 Halliday A63F 7/305 273/127 R

- 1,549,038 A * 8/1925 Wilson A63F 7/0005 273/125 R
- 1,715,581 A * 6/1929 Usami A63F 7/0005 273/125 R
- D87,840 S * 9/1932 Kirk D21/310
- D89,973 S * 5/1933 Pointer et al. D21/310
- D89,974 S * 5/1933 Pointer et al. D21/310
- D90,728 S * 9/1933 Pointer et al. D21/310
- D93,113 S * 8/1934 Kirk D21/323
- D100,717 S * 8/1936 Schu D20/1
- D109,328 S * 4/1938 Kirk D21/310
- D109,927 S * 5/1938 Weissmauller D21/321
- D116,677 S * 9/1939 Becker D21/312
- D119,591 S * 3/1940 Koci D21/322
- D140,742 S * 4/1945 Aitchison D21/312
- D142,294 S * 8/1945 Brenner D21/312
- D145,501 S * 9/1946 Altman D21/312
- D159,928 S * 8/1950 Reising D21/312
- D161,248 S * 12/1950 Darr 473/19
- D167,066 S * 6/1952 Bronson D21/312
- D186,234 S * 9/1959 Parnell, Jr. D21/341
- D187,599 S * 4/1960 Wright D21/312

(Continued)

Primary Examiner — Mehri F Bajoul

(74) *Attorney, Agent, or Firm* — Patterson + Sheridan, LLP

(57) **CLAIM**

The ornamental design for a game, as shown and described.

DESCRIPTION

FIG. 1 is a top, front, right perspective view of a game showing our new design.

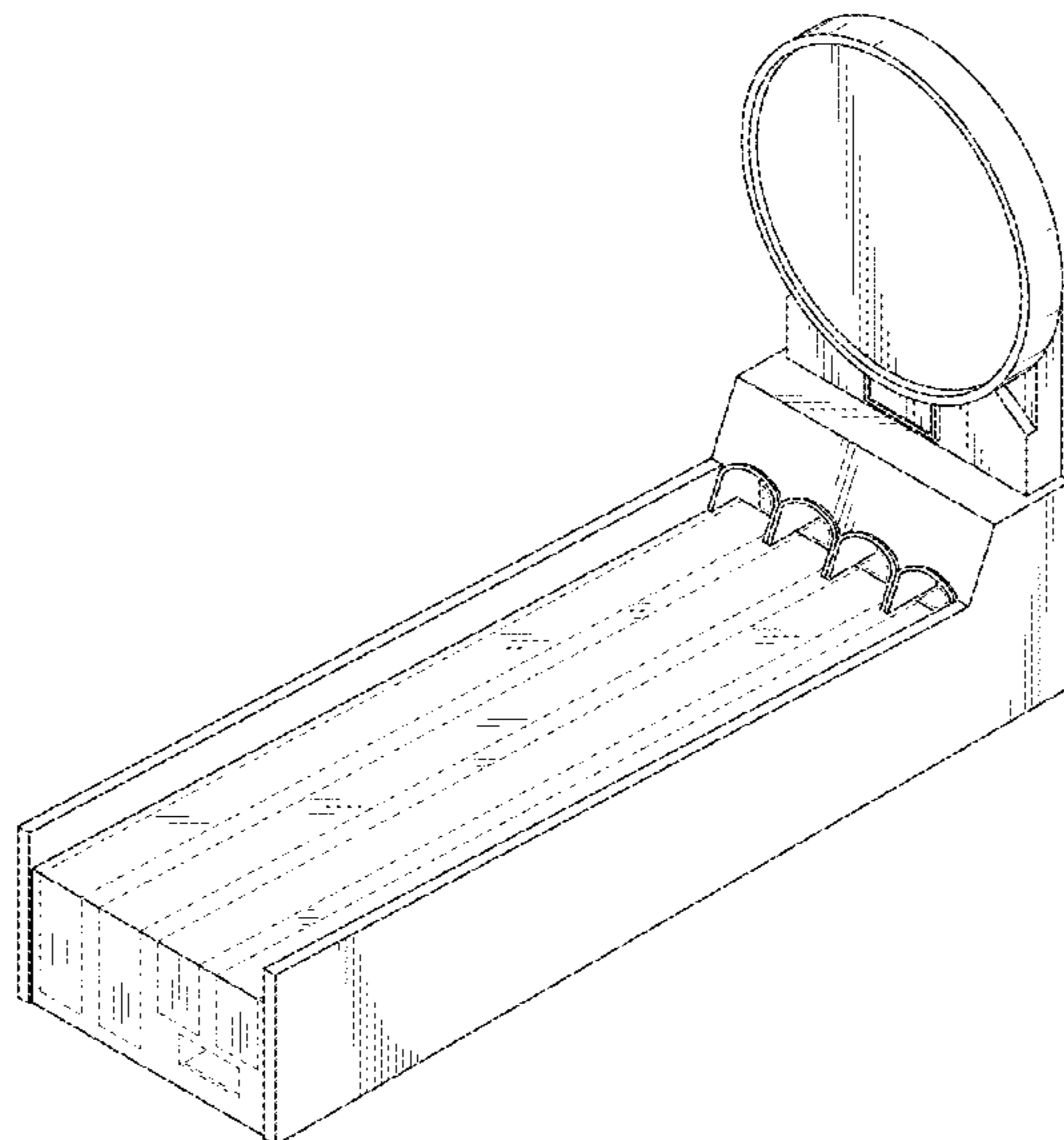
FIG. 2 is a top, front, left perspective view thereof.

FIG. 3 is a front elevational view thereof; and,

FIG. 4 is a right side elevational view thereof.

The evenly dashed broken lines in the figures show portions of the game that form no part of the claimed design. The dot-dot-dash broken lines illustrate bounds of the claim and form no part of the claimed design.

1 Claim, 4 Drawing Sheets



(56)

References Cited

U.S. PATENT DOCUMENTS

3,142,488 A * 7/1964 Portteus A63B 63/08
473/132

3,711,094 A * 1/1973 Coffman A63F 7/025
273/120 R

4,146,227 A * 3/1979 Kuna A63B 65/12
273/127 D

D262,896 S * 2/1982 Dabbs D21/312

4,804,182 A * 2/1989 Egger A63B 43/02
473/115

5,123,647 A * 6/1992 Lawlor A63F 7/3065
273/127 R

D337,790 S * 7/1993 Gottlieb D21/323

D340,951 S * 11/1993 Howrilka D21/312

D343,219 S * 1/1994 Unterberger D21/317

D361,795 S * 8/1995 Abrudan D21/321

D498,266 S * 11/2004 Reeves, Jr. D21/318

7,294,062 B2 * 11/2007 Ting A63B 67/02
473/162

D559,326 S * 1/2008 Humphrey D21/324

D579,055 S * 10/2008 Popadiuk, Jr. D21/323

D587,319 S * 2/2009 Moises Deiab D21/325

D694,341 S * 11/2013 Quint, Jr. D21/315

8,864,596 B1 * 10/2014 Maranian, Jr. A63B 67/02
473/162

D740,383 S * 10/2015 Shadle D21/791

D760,337 S * 6/2016 Holland D21/791

D773,373 S * 12/2016 Mayes D21/310

D963,753 S * 9/2022 Samson D21/338

D964,465 S * 9/2022 Samson D21/338

* cited by examiner

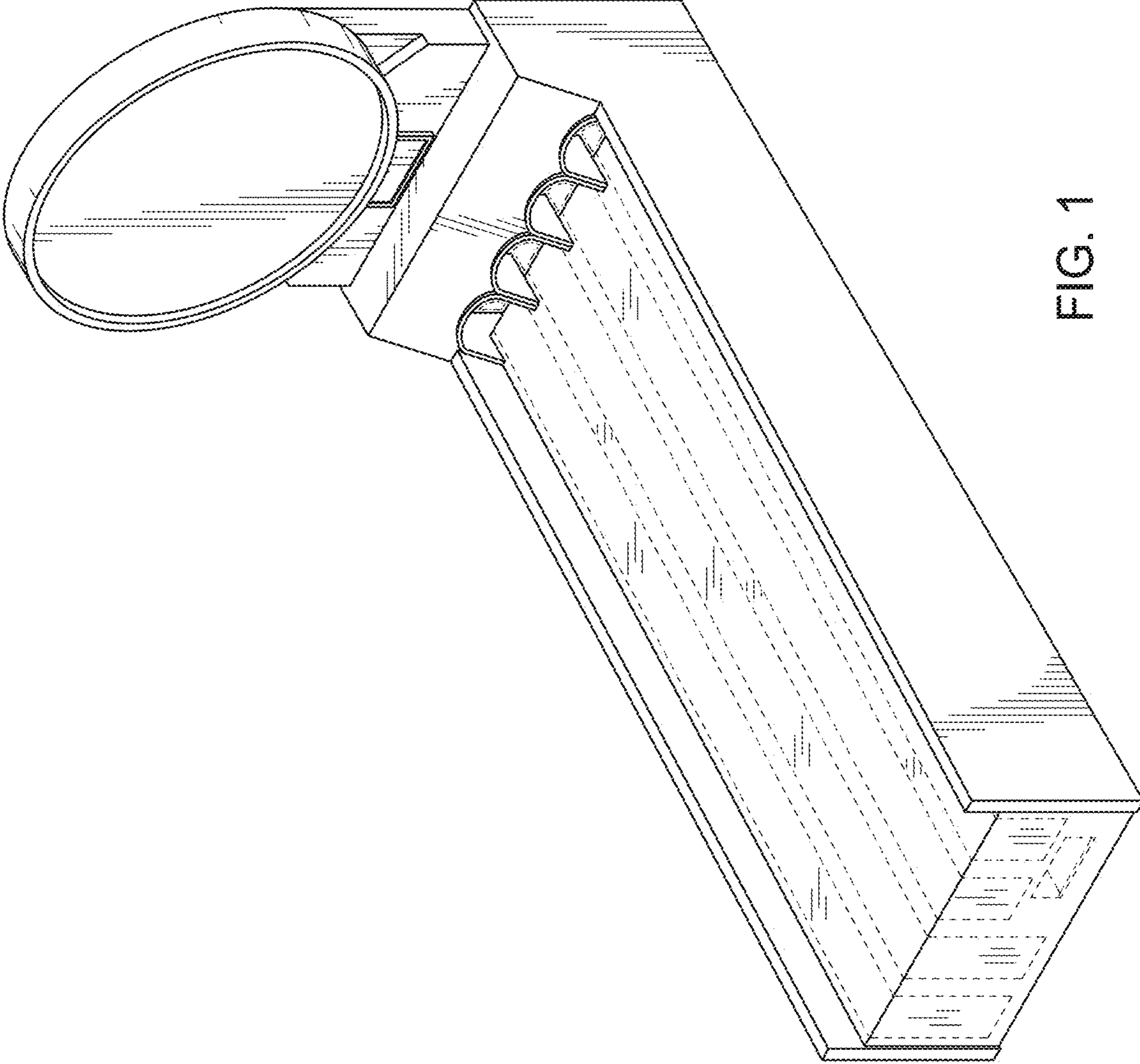


FIG. 1

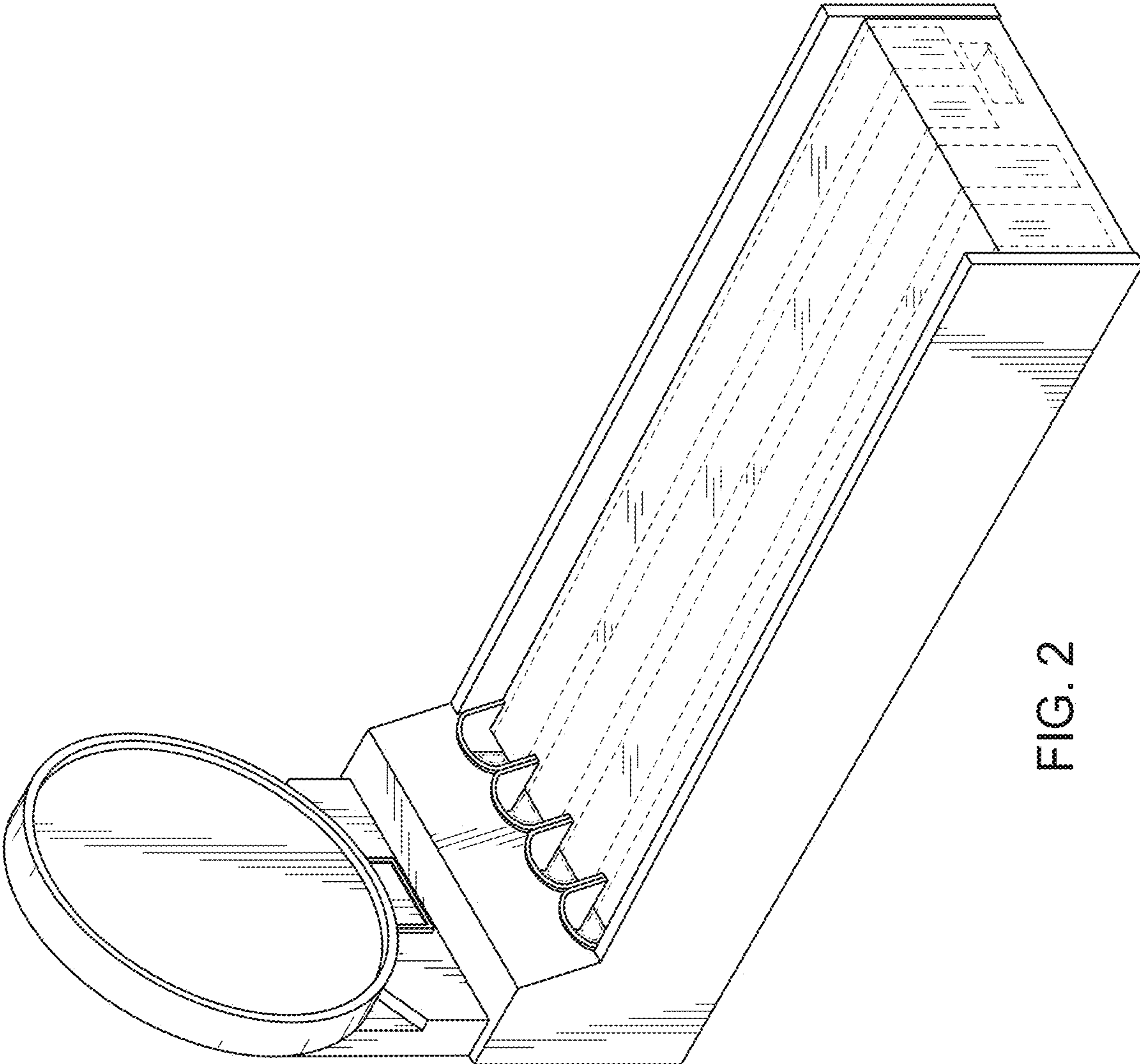


FIG. 2

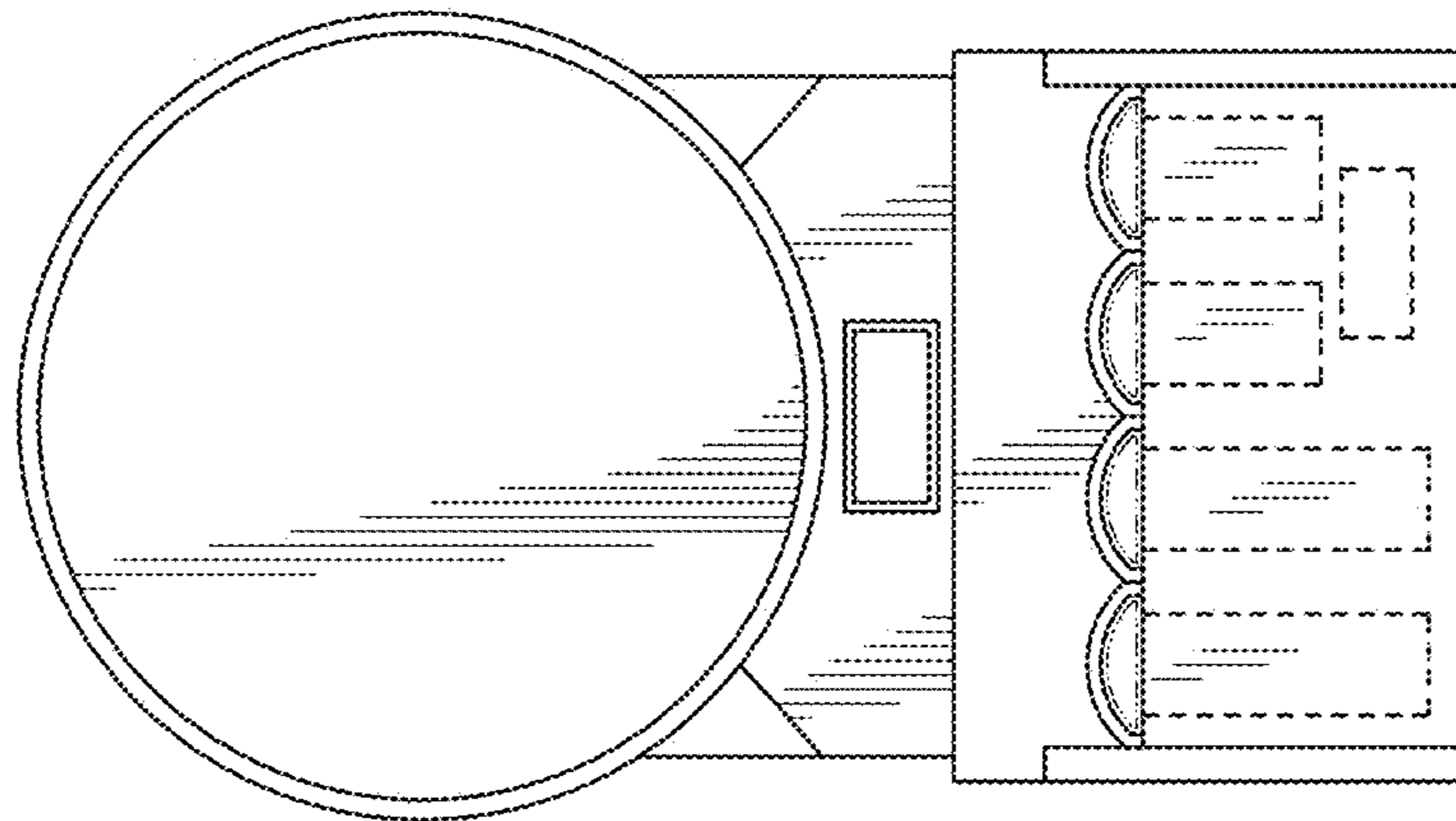


FIG. 3



FIG. 4