



US00D989874S

(12) **United States Design Patent**  
**Samson et al.**

(10) **Patent No.:** **US D989,874 S**  
(45) **Date of Patent:** **\*\* Jun. 20, 2023**

- (54) **GAME**
- (71) Applicant: **Sandstone Media, LLC**, Las Vegas, NV (US)
- (72) Inventors: **James Samson**, Los Angeles, CA (US); **Kyle Rosenblum**, Los Angeles, CA (US); **Jonathan Sanford**, Los Angeles, CA (US); **Mark Manuel**, Los Angeles, CA (US)
- (73) Assignee: **Sandstone Media, LLC**, Las Vegas, NV (US)
- (\*\*) Term: **15 Years**
- (21) Appl. No.: **29/841,728**
- (22) Filed: **Jun. 8, 2022**
- (51) **LOC (14) Cl.** ..... **21-01**
- (52) **U.S. Cl.**  
USPC ..... **D21/325**
- (58) **Field of Classification Search**  
USPC ..... D21/300, 310, 312, 329, 334, 335, 336, D21/337, 341, 342, 348, 349, 350, 360, D21/369, 370, 385; D16/106  
CPC ..... A63F 3/00261; A63F 2003/0082; A63F 2003/00264; A63F 3/00574; A63F 3/0023; A63F 3/0052; A63F 9/06; A63F 9/0073; A63F 3/00634; A63F 9/1044; A63F 9/1204  
See application file for complete search history.

- D260,820 S \* 9/1981 Kato ..... D21/323
- D262,896 S \* 2/1982 Dabbs ..... D21/312
- 4,521,014 A \* 6/1985 Sitrick ..... A63F 13/63 463/31
- 4,648,600 A \* 3/1987 Olliges ..... G07F 17/3262 463/20
- D297,655 S \* 9/1988 Daugherty ..... D21/325
- D306,464 S \* 3/1990 Axtell ..... D21/325
- D327,508 S \* 6/1992 Miranda ..... D21/325
- 5,123,647 A \* 6/1992 Lawlor ..... A63F 7/3065 273/127 R
- D333,164 S \* 2/1993 Kraft ..... D21/325
- D351,866 S \* 10/1994 Freels ..... D21/325
- D361,795 S \* 8/1995 Abrudan ..... D21/321
- D363,090 S \* 10/1995 Chung-Po ..... D21/327
- D373,809 S \* 9/1996 Hirato ..... D21/327
- D388,469 S \* 12/1997 Dickenson ..... D21/325
- D398,031 S \* 9/1998 Campbell ..... D21/324
- D401,631 S \* 11/1998 Okumura ..... D21/385
- D411,257 S \* 6/1999 Nolte ..... D21/325
- D424,122 S \* 5/2000 Dickenson ..... D21/325
- D428,063 S \* 7/2000 Thomas ..... D21/325
- D428,446 S \* 7/2000 Thomas ..... D21/325
- D428,934 S \* 8/2000 Thomas ..... D21/325
- D428,935 S \* 8/2000 Thomas ..... D21/325
- D458,971 S \* 6/2002 Stephan ..... D21/325

(Continued)

*Primary Examiner* — Mehri F Bajoul  
(74) *Attorney, Agent, or Firm* — Patterson + Sheridan, LLP

(57) **CLAIM**

The ornamental design for a game, as shown and described.

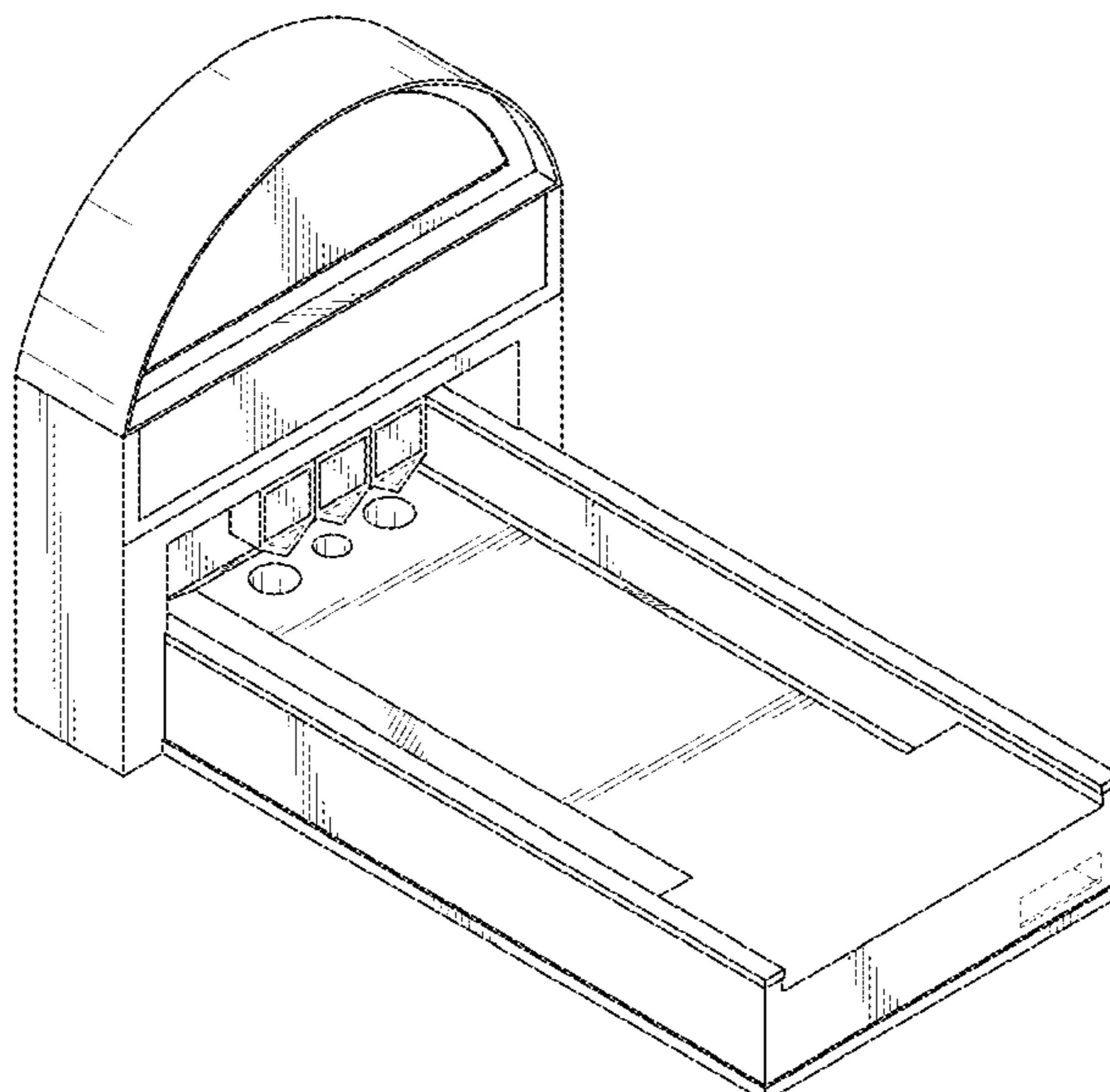
**DESCRIPTION**

FIG. 1 is a top, front, right perspective view of a game showing our new design. FIG. 2 is a top, front, left perspective view thereof; and, FIG. 3 is a front elevational view thereof. The portions of the game illustrated in broken lines form no part of the claimed design.

**1 Claim, 3 Drawing Sheets**

(56) **References Cited**  
U.S. PATENT DOCUMENTS

- 1,506,369 A \* 8/1924 Guinan ..... A63F 7/0005 273/123 R
- D140,742 S \* 4/1945 Aitchison ..... D21/312
- D246,917 S \* 1/1978 Sauter ..... D21/325
- D259,050 S \* 4/1981 Nadel ..... D21/310



(56)

**References Cited**

U.S. PATENT DOCUMENTS

D463,503	S	*	9/2002	Stephan	.....	D21/325
D463,504	S	*	9/2002	Stephan	.....	D21/369
7,294,062	B2	*	11/2007	Ting	.....	A63B 67/02 473/162
D773,373	S	*	12/2016	Mayes	.....	D21/310
D818,986	S	*	5/2018	Shadrokh	.....	D14/173
D893,632	S	*	8/2020	McGahn	.....	D21/369
D895,018	S	*	9/2020	Gutbrod	.....	D21/369
D934,955	S	*	11/2021	van Linden	.....	D21/369
D964,465	S	*	9/2022	Samson	.....	D21/338
D964,466	S	*	9/2022	Samson	.....	D21/338

\* cited by examiner

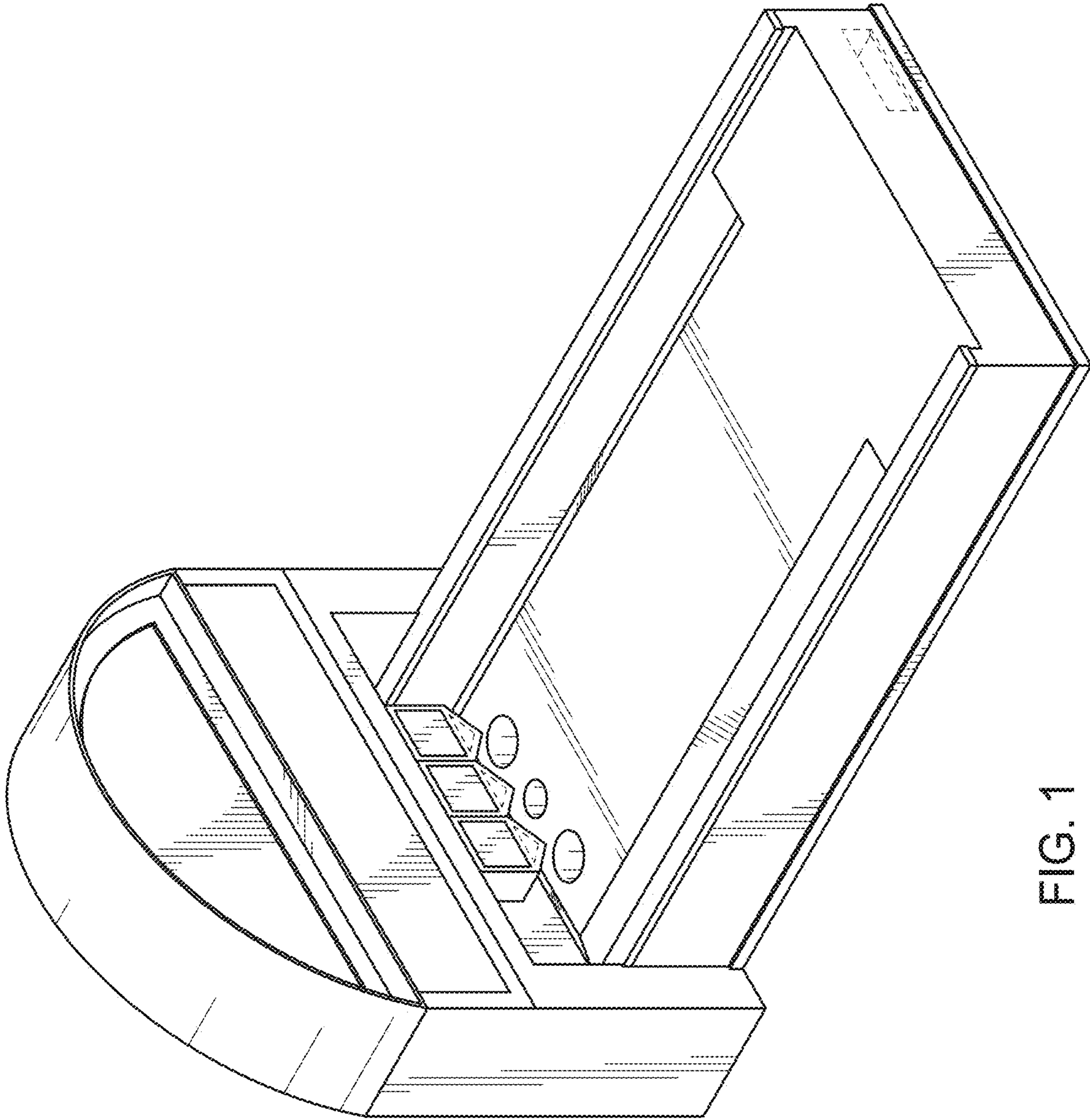


FIG. 1

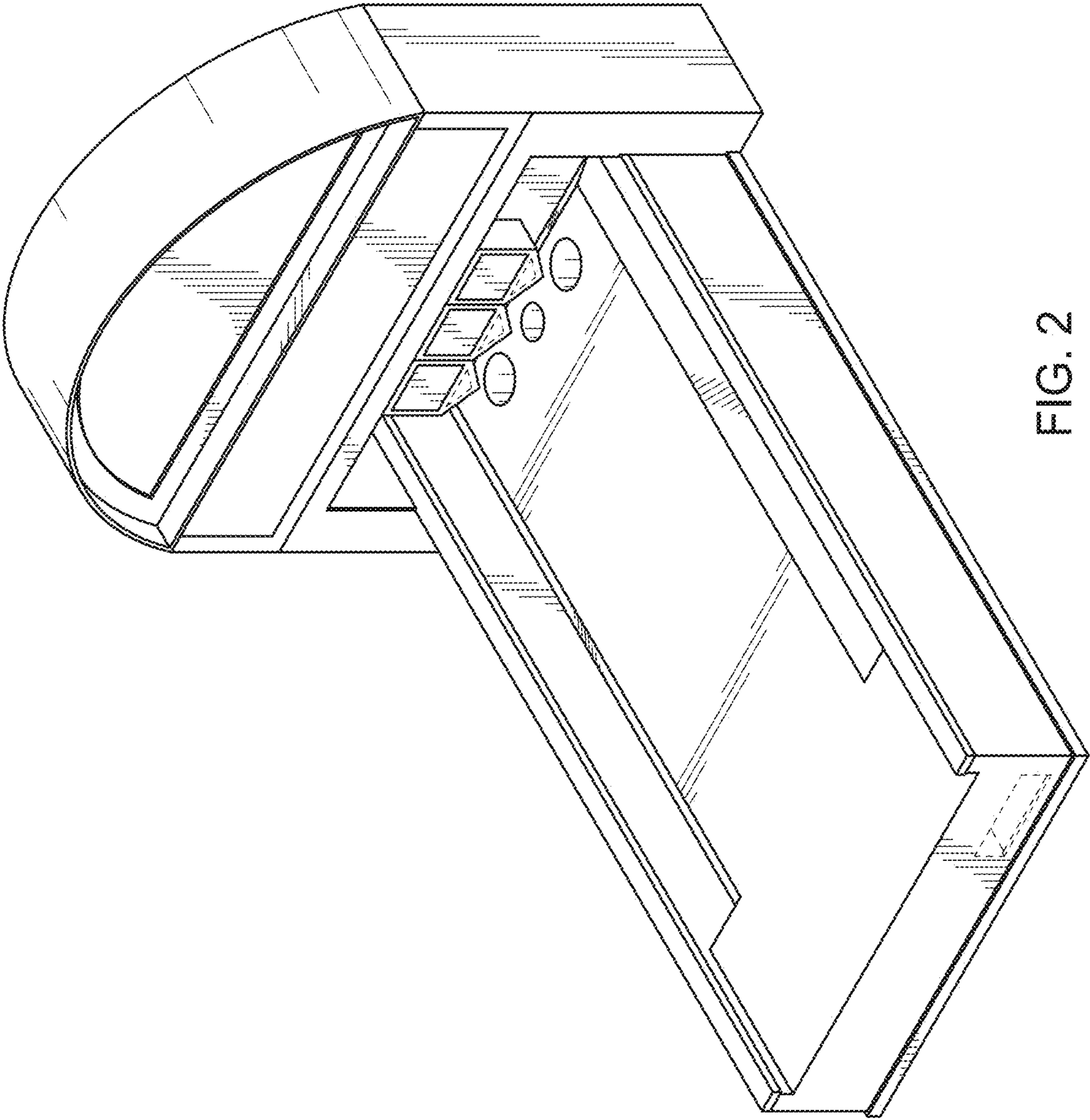


FIG. 2



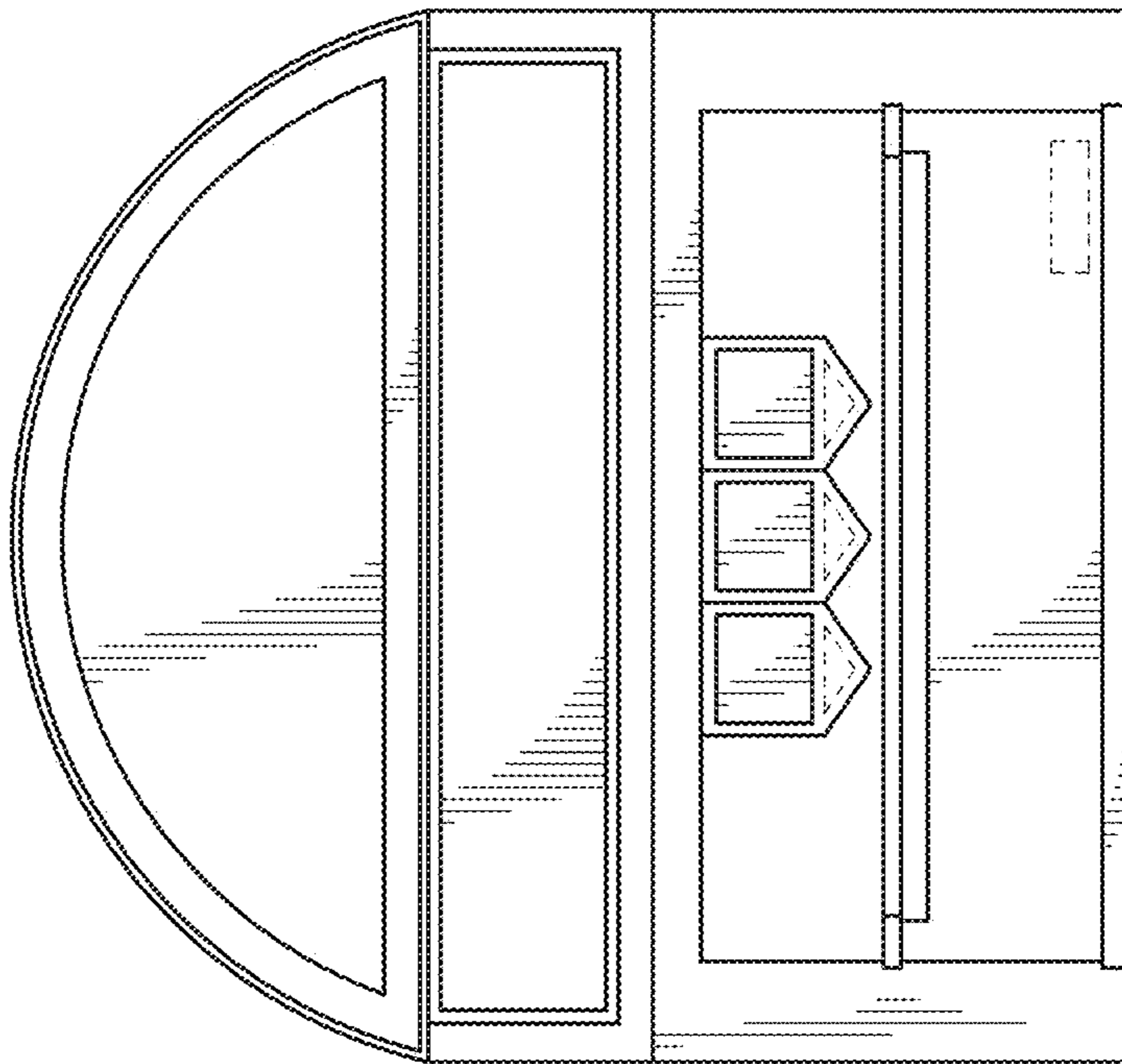


FIG. 3