



US00D989873S

(12) **United States Design Patent**
Samson et al.

(10) **Patent No.:** **US D989,873 S**
(45) **Date of Patent:** **** Jun. 20, 2023**

- (54) **GAME**
- (71) Applicant: **Sandstone Media, LLC**, Las Vegas, NV (US)
- (72) Inventors: **James Samson**, Los Angeles, CA (US); **Kyle Rosenblum**, Los Angeles, CA (US); **Jonathan Sanford**, Los Angeles, CA (US); **Mark Manuel**, Los Angeles, CA (US)
- (73) Assignee: **Sandstone Media, LLC**, Las Vegas, NV (US)
- (**) Term: **15 Years**

| | | | | |
|----------------|---------|----------------|-------|--------------------------|
| D89,974 S * | 5/1933 | Pointer et al. | | D21/310 |
| D90,728 S * | 9/1933 | Pointer et al. | | D21/310 |
| D142,294 S * | 8/1945 | Brenner | | D21/312 |
| 3,927,884 A * | 12/1975 | Glass | | A63F 7/2409 273/127 R |
| 5,123,647 A * | 6/1992 | Lawlor | | A63F 7/3065 273/127 R |
| D340,951 S * | 11/1993 | Howrilka | | D21/312 |
| D361,795 S * | 8/1995 | Abrudan | | D21/321 |
| D400,591 S * | 11/1998 | Weatherby | | D20/7 |
| D433,716 S * | 11/2000 | Robrahn | | D21/325 |
| D498,266 S * | 11/2004 | Reeves, Jr. | | D21/318 |
| 7,294,062 B2 * | 11/2007 | Ting | | A63B 67/02 473/162 |
| D884,075 S * | 5/2020 | Fukazawa | | D21/325 |
| D963,753 S * | 9/2022 | Samson | | D21/338 |

* cited by examiner

- (21) Appl. No.: **29/841,725**
- (22) Filed: **Jun. 8, 2022**
- (51) **LOC (14) Cl.** **21-01**
- (52) **U.S. Cl.**
USPC **D21/325**
- (58) **Field of Classification Search**
USPC D21/300, 310, 323, 324, 325, 326, 327, D21/328, 329, 330, 331, 332, 333, 334, D21/335, 336, 337, 342, 350, 369, 370, D21/371, 372, 373, 374, 385; D16/106
CPC A63F 3/00261; A63F 3/00574; A63F 3/0023; A63F 3/0052; A63F 9/06; A63F 9/0073; A63F 3/00634; A63F 9/1044; A63F 9/1204
See application file for complete search history.

Primary Examiner — Mehri F Bajoul
(74) *Attorney, Agent, or Firm* — Patterson + Sheridan, LLP

(57) **CLAIM**

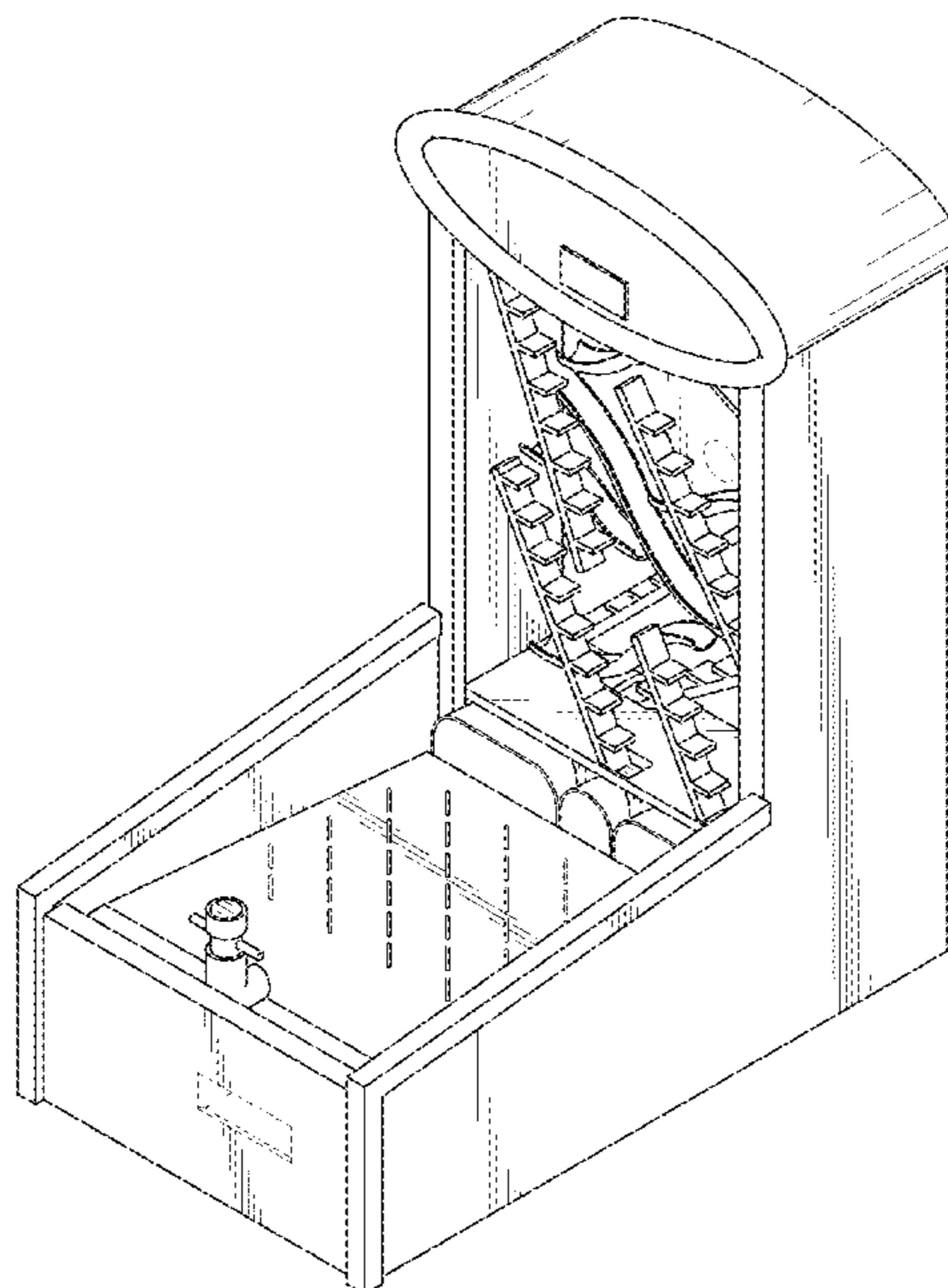
The ornamental design for a game, as shown and described.

DESCRIPTION

FIG. 1 is a top, front, right perspective view of a game showing our new design.
FIG. 2 is a top, front, left perspective view thereof; and, FIG. 3 is a front elevational view thereof.
The portions of the game illustrated in broken lines form no part of the claimed design.

- (56) **References Cited**
U.S. PATENT DOCUMENTS
1,549,038 A * 8/1925 Wilson A63F 7/0005
273/125 R
D87,840 S * 9/1932 Kirk D21/310

1 Claim, 3 Drawing Sheets



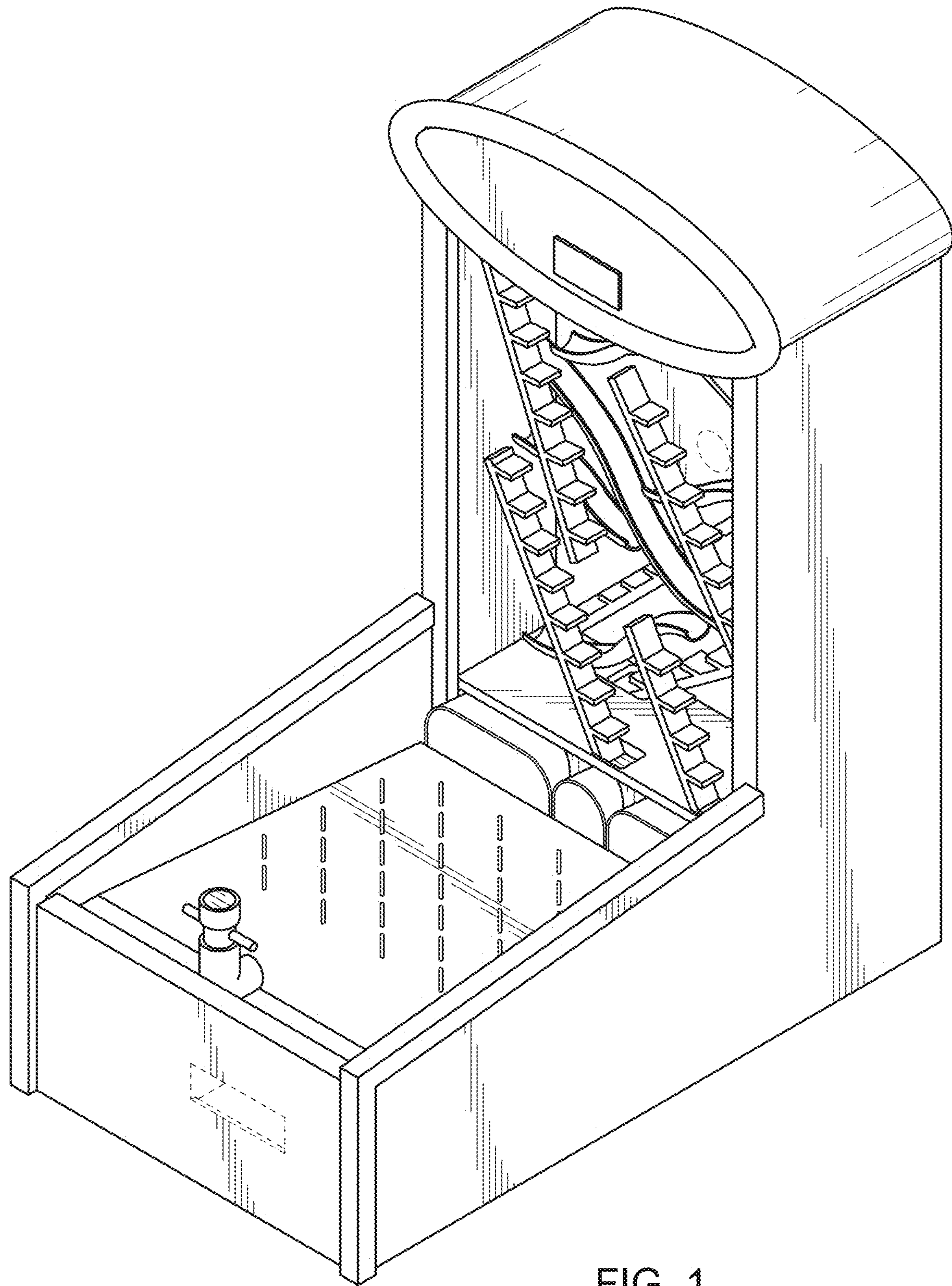


FIG. 1

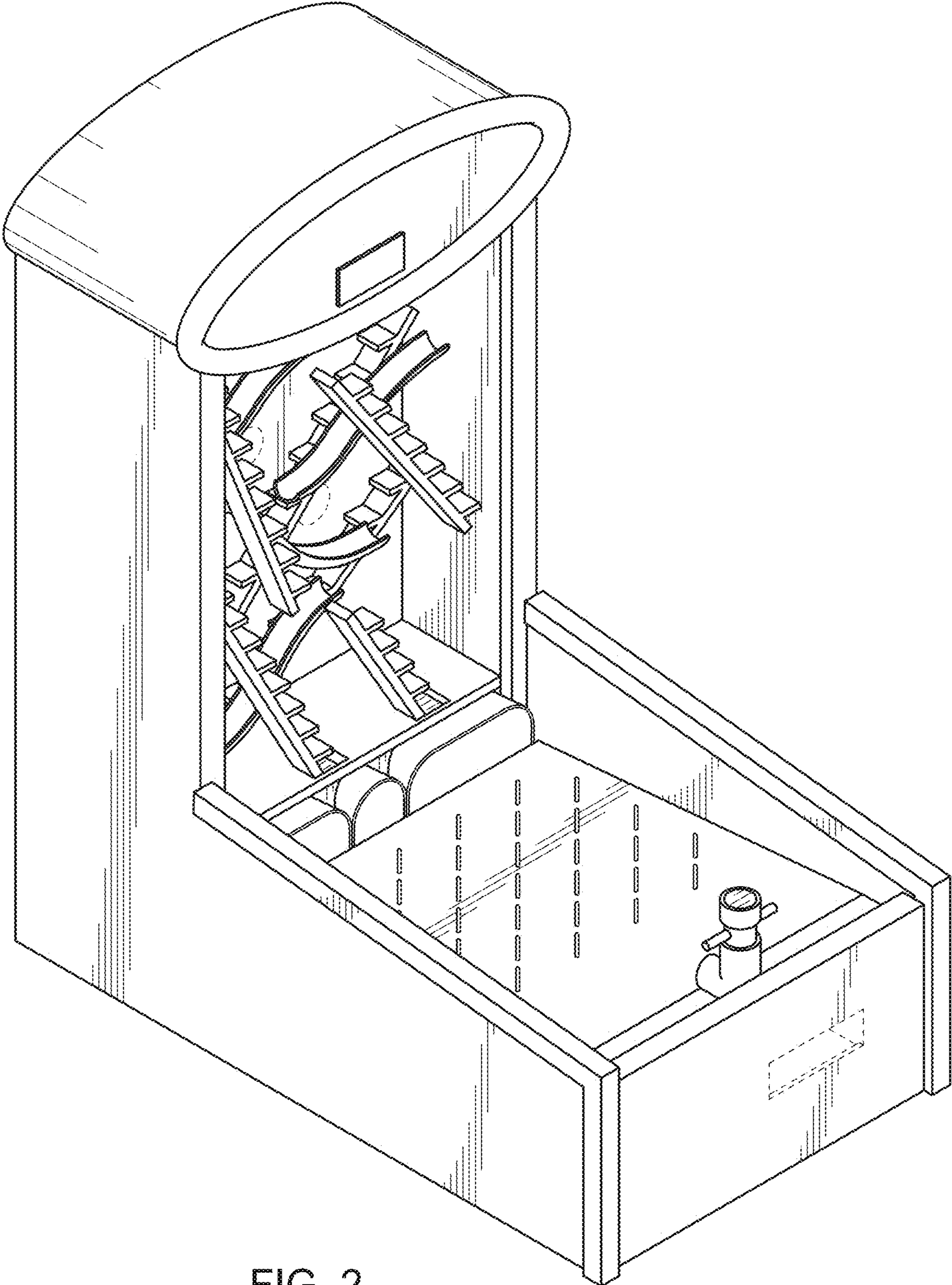


FIG. 2

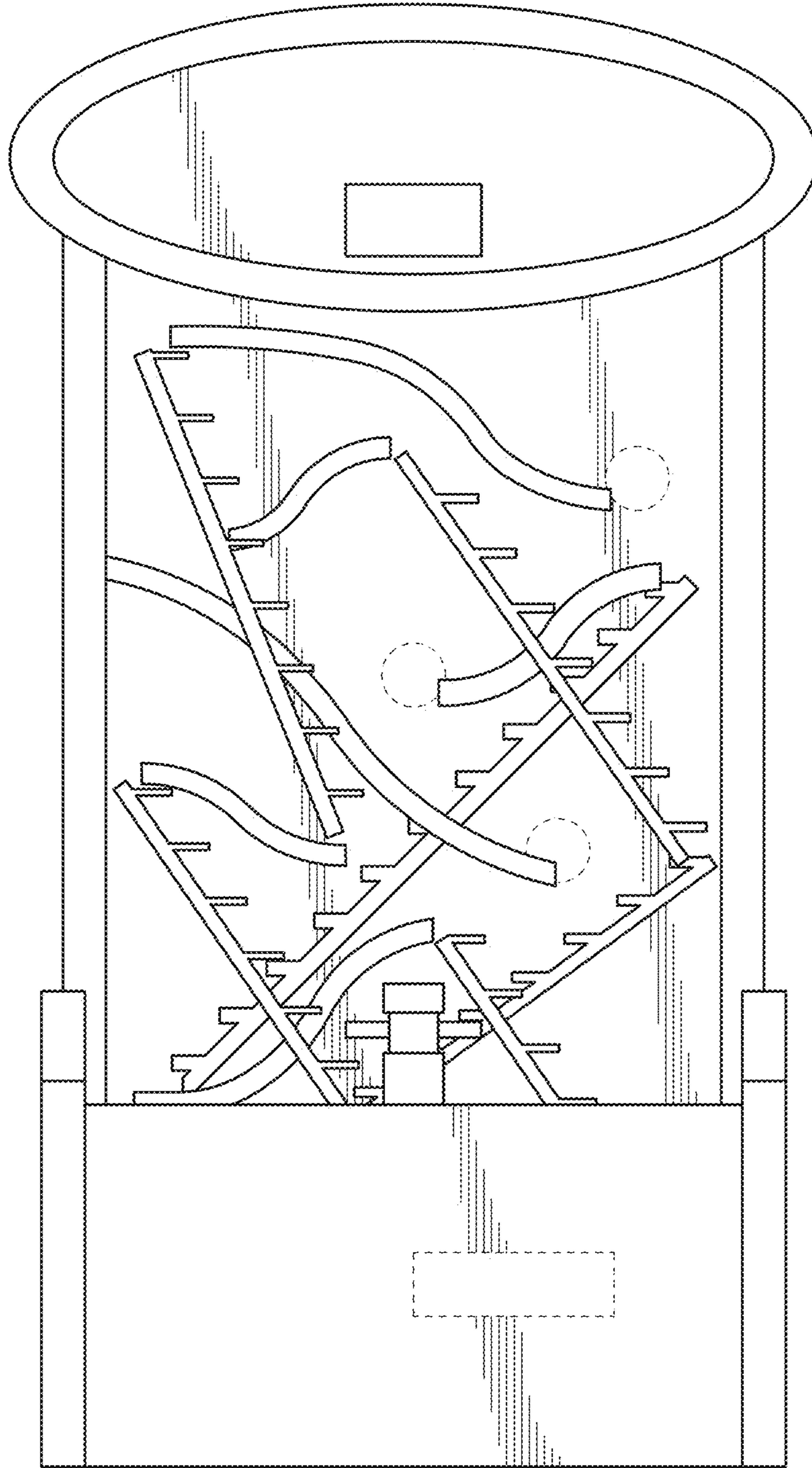


FIG. 3