



US00D989872S

(12) **United States Design Patent**
Samson et al.

(10) **Patent No.:** **US D989,872 S**
(45) **Date of Patent:** **** Jun. 20, 2023**

- (54) **GAME**
- (71) Applicant: **Sandstone Media, LLC**, Las Vegas, NV (US)
- (72) Inventors: **James Samson**, Los Angeles, CA (US); **Kyle Rosenblum**, Los Angeles, CA (US); **Jonathan Sanford**, Los Angeles, CA (US); **Mark Manuel**, Los Angeles, CA (US)
- (73) Assignee: **Sandstone Media, LLC**, Las Vegas, NV (US)

D351,866 S *	10/1994	Freels	D21/325
D409,704 S *	5/1999	Nunes	D21/791
D435,068 S *	12/2000	Muraki	D21/325
7,294,062 B2 *	11/2007	Ting	A63B 67/02 473/162
D579,055 S *	10/2008	Popadiuk, Jr.	D21/323
D606,126 S *	12/2009	Ujita	D21/397
D634,780 S *	3/2011	Schumann	D19/9
D694,341 S *	11/2013	Quint, Jr.	D21/315
D773,373 S *	12/2016	Mayes	D21/310
D933,153 S *	10/2021	McDonald	D21/791
D963,753 S *	9/2022	Samson	D21/338
D964,465 S *	9/2022	Samson	D21/338
D964,466 S *	9/2022	Samson	D21/338

(**) Term: **15 Years**

* cited by examiner

(21) Appl. No.: **29/841,724**

Primary Examiner — Mehri F Bajoul

(22) Filed: **Jun. 8, 2022**

(74) *Attorney, Agent, or Firm* — Patterson + Sheridan, LLP.

(51) **LOC (14) Cl.** **21-01**

(52) **U.S. Cl.**
USPC **D21/325**

(58) **Field of Classification Search**
USPC D21/300, 310, 323, 324, 325, 326, 327, D21/328, 329, 330, 331, 332, 333, 334, D21/335, 336, 337, 342, 350, 369, 370, D21/371, 372, 373, 374, 385; D16/106
CPC A63F 3/00261; A63F 3/00574; A63F 3/0023; A63F 3/0052; A63F 9/06; A63F 9/0073; A63F 3/00634; A63F 9/1044; A63F 9/1204
See application file for complete search history.

(57) **CLAIM**

The ornamental design for a game, as shown and described.

DESCRIPTION

FIG. 1 is a top, front, right perspective view of a game showing our new design.

FIG. 2 is a top, front, left perspective view thereof; and, FIG. 3 is a front elevational view thereof.

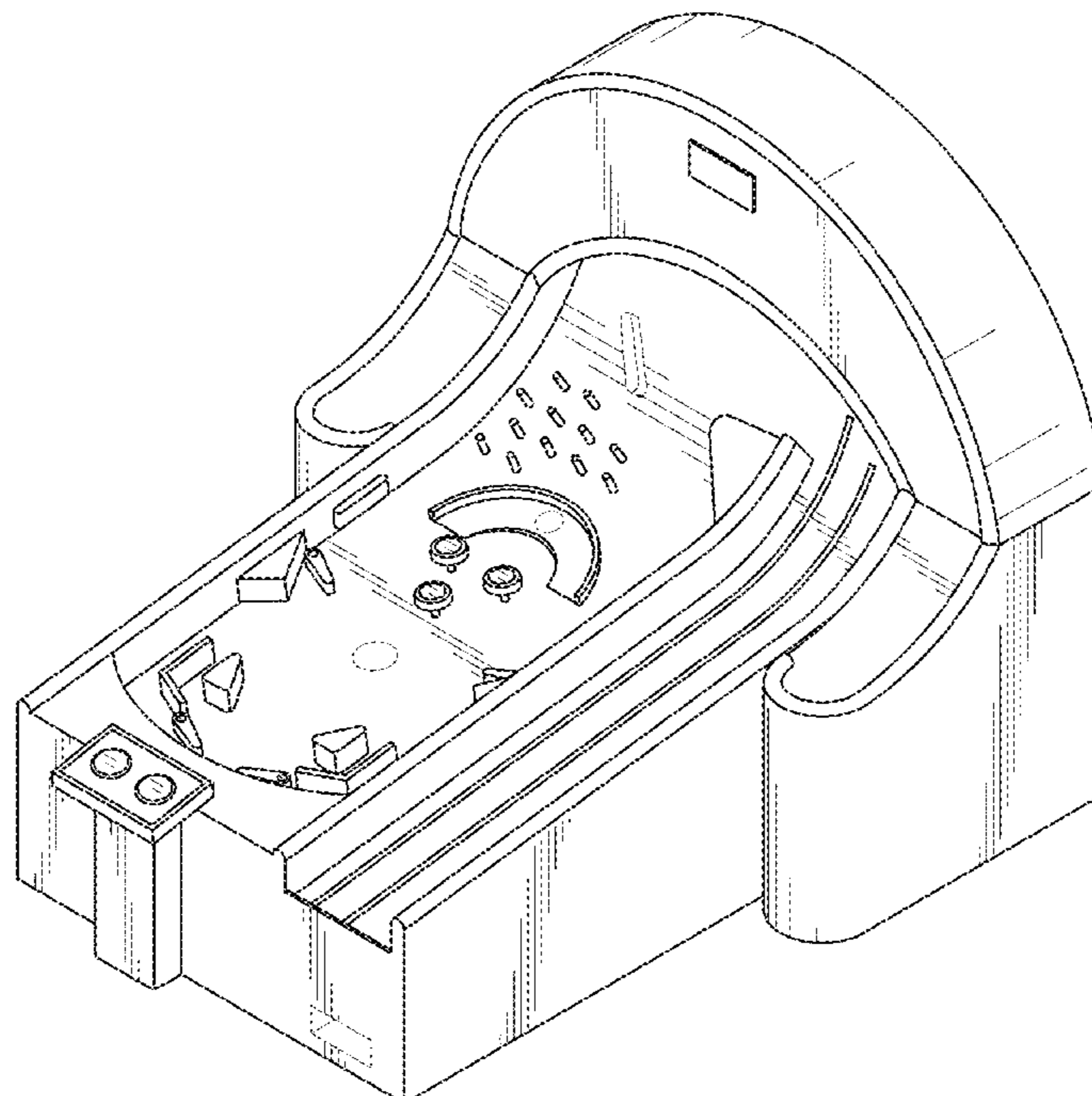
The portions of the game illustrated in broken lines form no part of the claimed design.

(56) **References Cited**

U.S. PATENT DOCUMENTS

D280,836 S *	10/1985	Ludzia	D21/325
D306,464 S *	3/1990	Axtell	D21/325

1 Claim, 3 Drawing Sheets



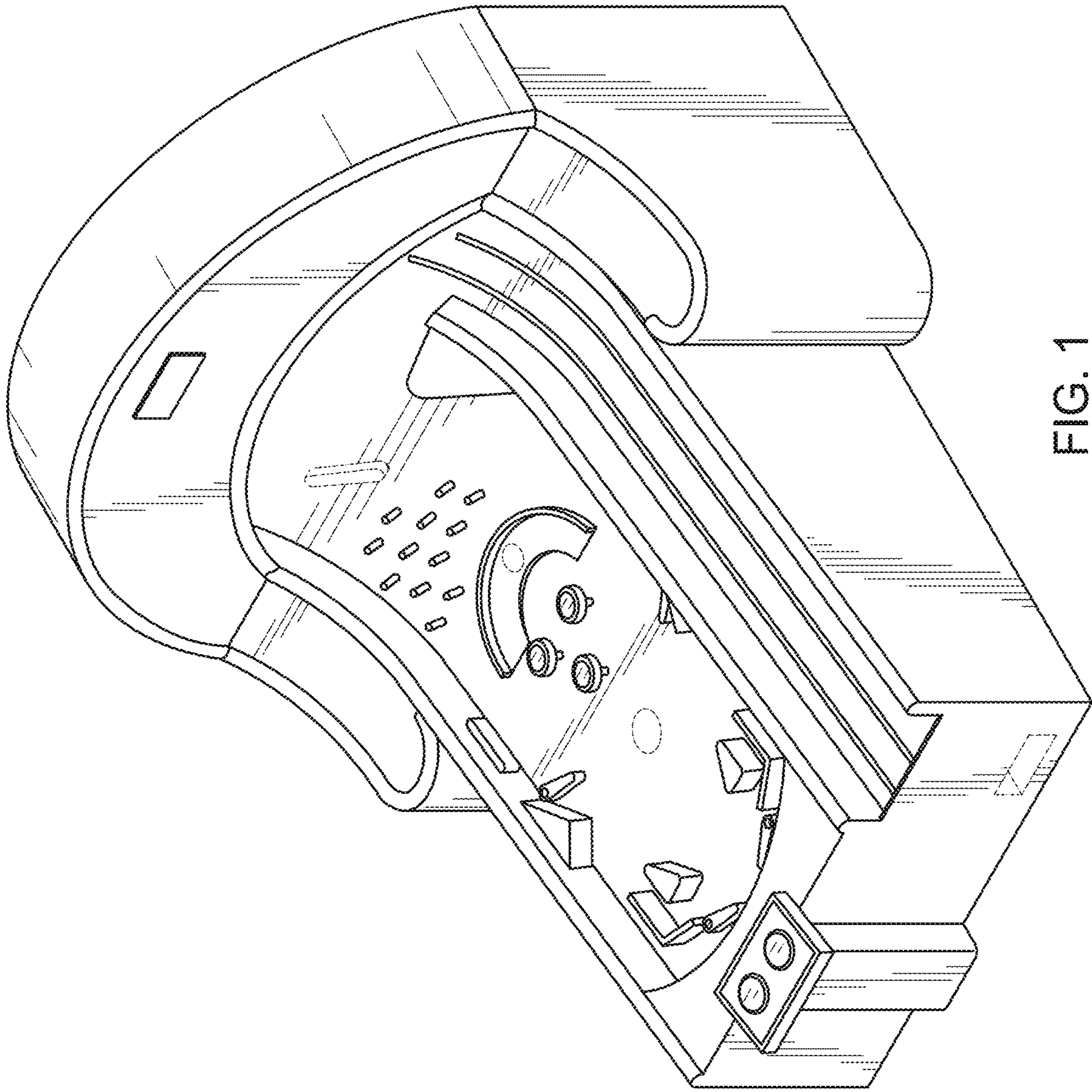


FIG. 1

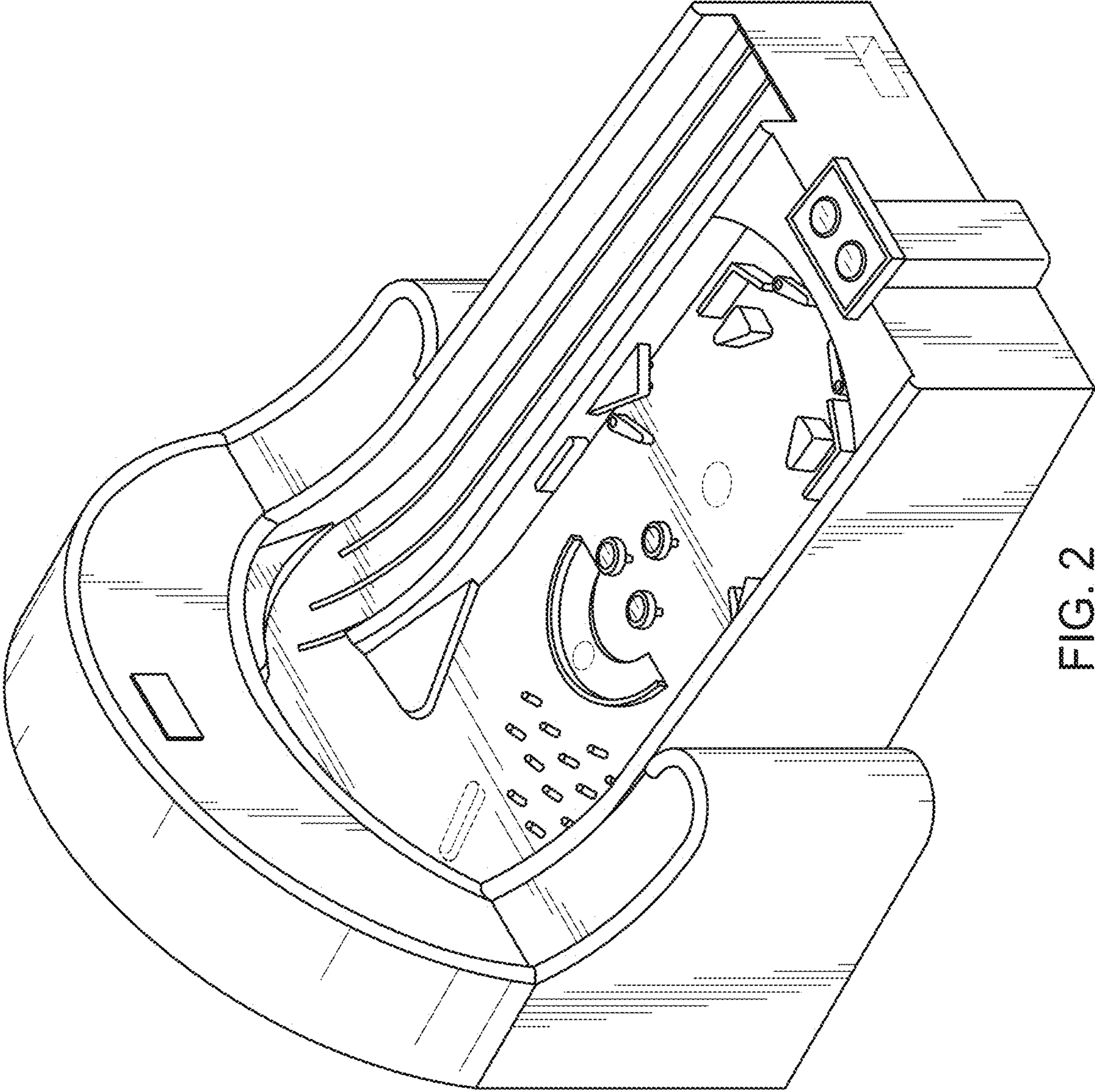


FIG. 2

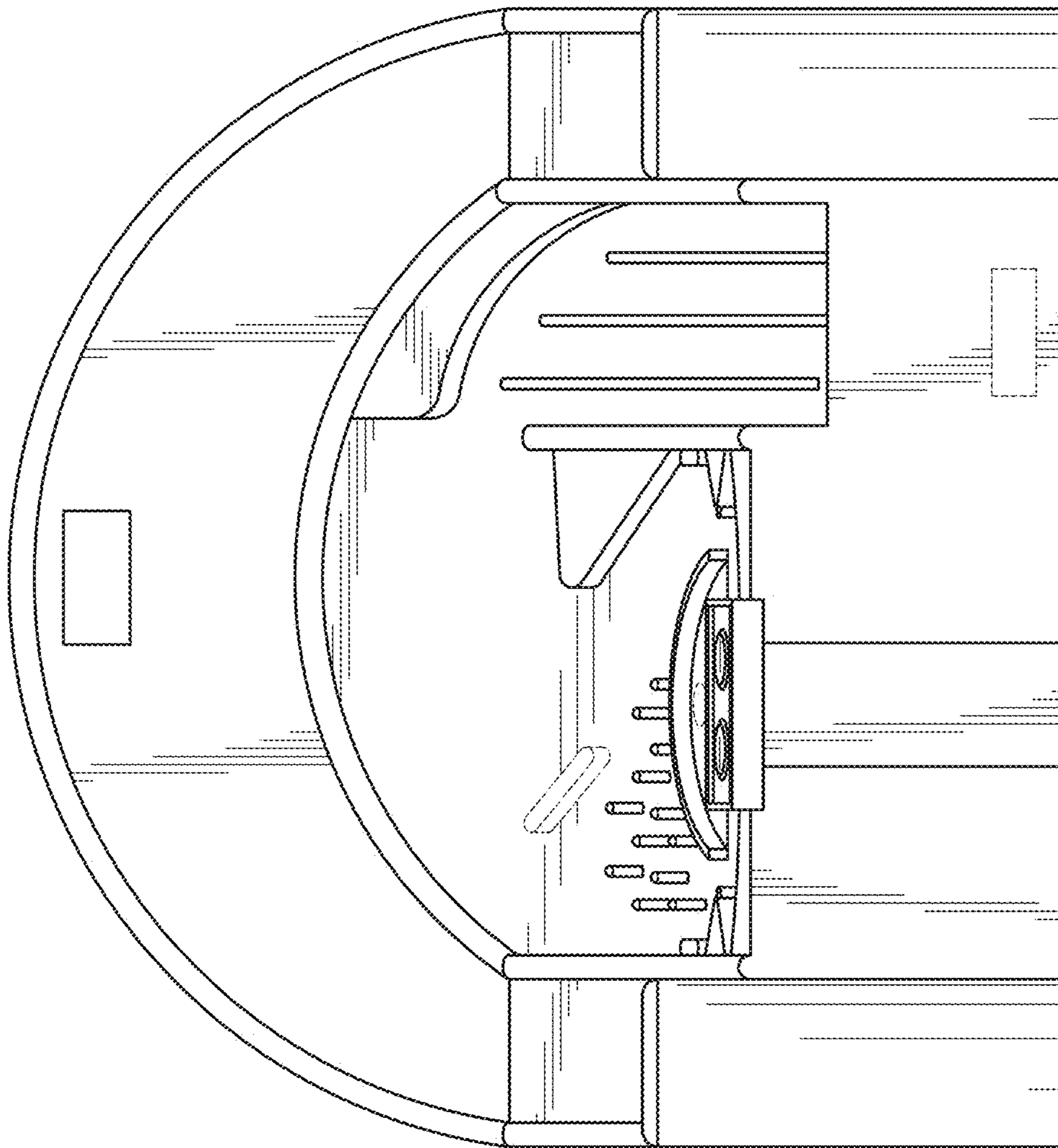


FIG. 3