



US00D989871S

(12) **United States Design Patent**  
**von Heland**

(10) **Patent No.:** **US D989,871 S**  
(45) **Date of Patent:** **\*\* Jun. 20, 2023**

(54) **MULTI-SPORTS TARGET**

(71) Applicant: **Waboba AB**, Stockholm (SE)

(72) Inventor: **Axel von Heland**, Stockholm (SE)

(\*\*) Term: **15 Years**

(21) Appl. No.: **35/514,150**

(22) Filed: **Oct. 25, 2021**

(80) **Hague Agreement Data**

Int. Filing Date: **Oct. 25, 2021**

Int. Reg. No.: **DM/217242**

Int. Reg. Date: **Oct. 25, 2021**

Int. Reg. Pub. Date: **Apr. 29, 2022**

(30) **Foreign Application Priority Data**

Jun. 22, 2021 (EM) ..... 008586283-0001

(51) **LOC (14) Cl.** ..... **21-01**

(52) **U.S. Cl.**  
USPC ..... **D21/303**

(58) **Field of Classification Search**

USPC ..... D21/300-303, 699, 705, 790

CPC ..... A63B 63/00; A63B 63/002; A63B 63/004

See application file for complete search history.

(56) **References Cited**

**U.S. PATENT DOCUMENTS**

D405,123 S \* 2/1999 Dekeyser ..... D21/303  
D721,404 S \* 1/2015 Pagliaro, III ..... D21/303

D741,409 S \* 10/2015 Moulton ..... D21/303  
D755,898 S \* 5/2016 Blanchard ..... D21/302  
D807,964 S \* 1/2018 Coran ..... D21/303  
D868,916 S \* 12/2019 Engler ..... D21/303  
D868,917 S \* 12/2019 Engler ..... D21/303  
D877,256 S \* 3/2020 Engler ..... D21/303  
D910,115 S \* 2/2021 Esposito ..... D21/303  
D953,430 S \* 5/2022 Holguin ..... D21/302  
D954,826 S \* 6/2022 Malvasio ..... D21/302  
D954,827 S \* 6/2022 Good ..... D21/303  
D955,483 S \* 6/2022 Wolters ..... D21/303  
D955,484 S \* 6/2022 Wolters ..... D21/303  
D963,748 S \* 9/2022 Tango ..... D21/303

\* cited by examiner

*Primary Examiner* — Michael C Stout

*Assistant Examiner* — Melvin L Davis

(57) **CLAIM**

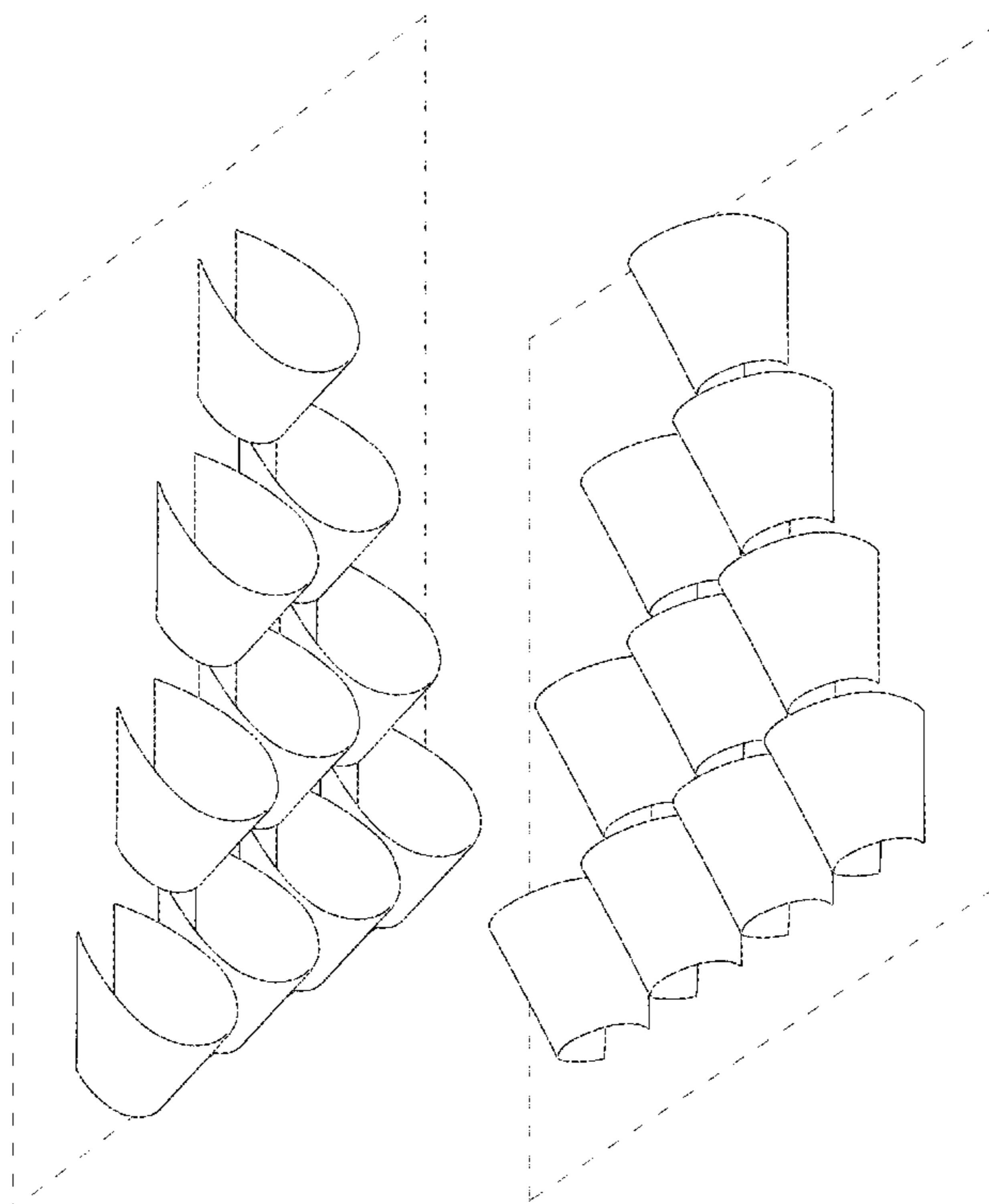
The ornamental design for a multi-sports target, as shown and described.

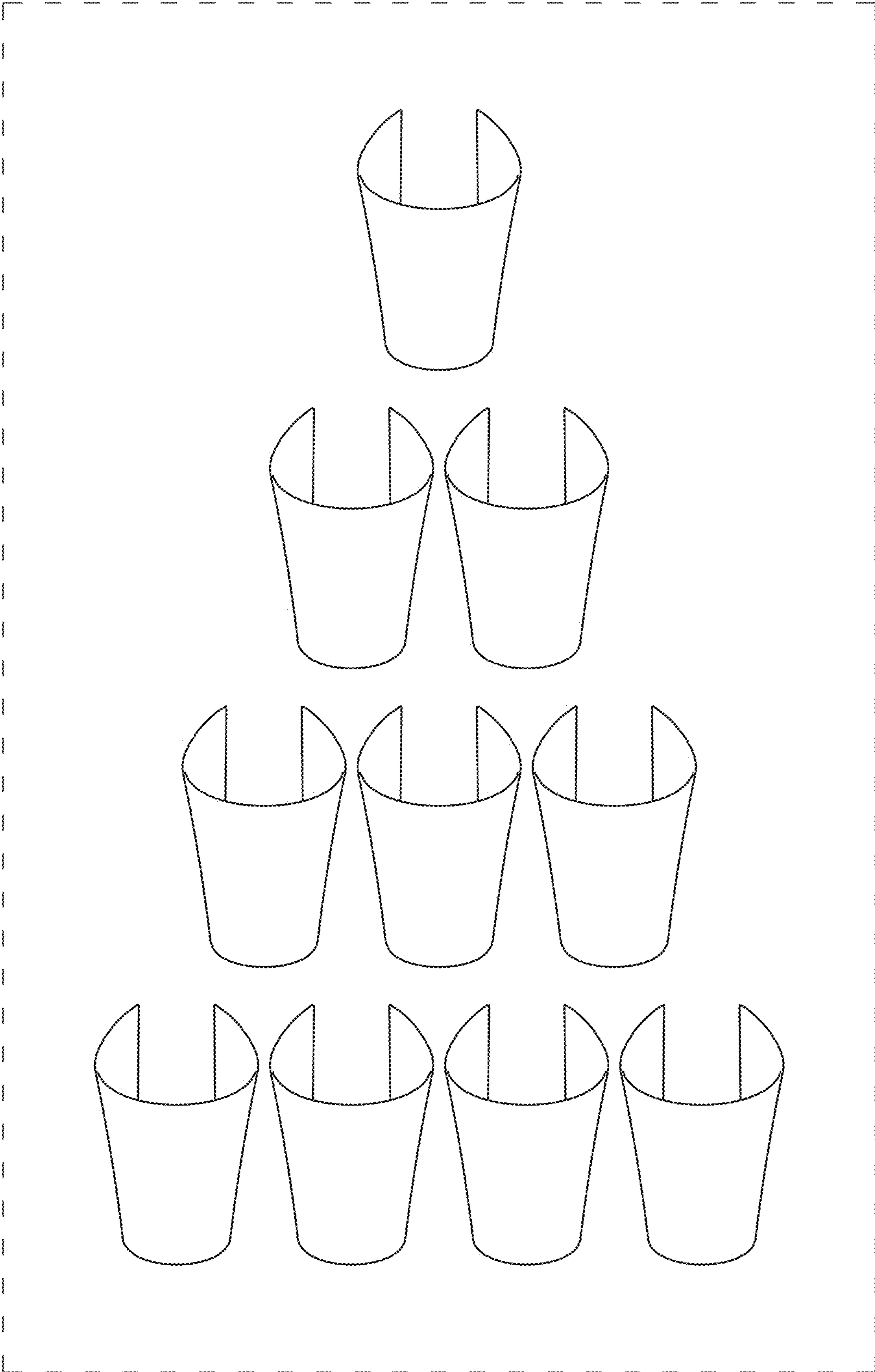
**DESCRIPTION**

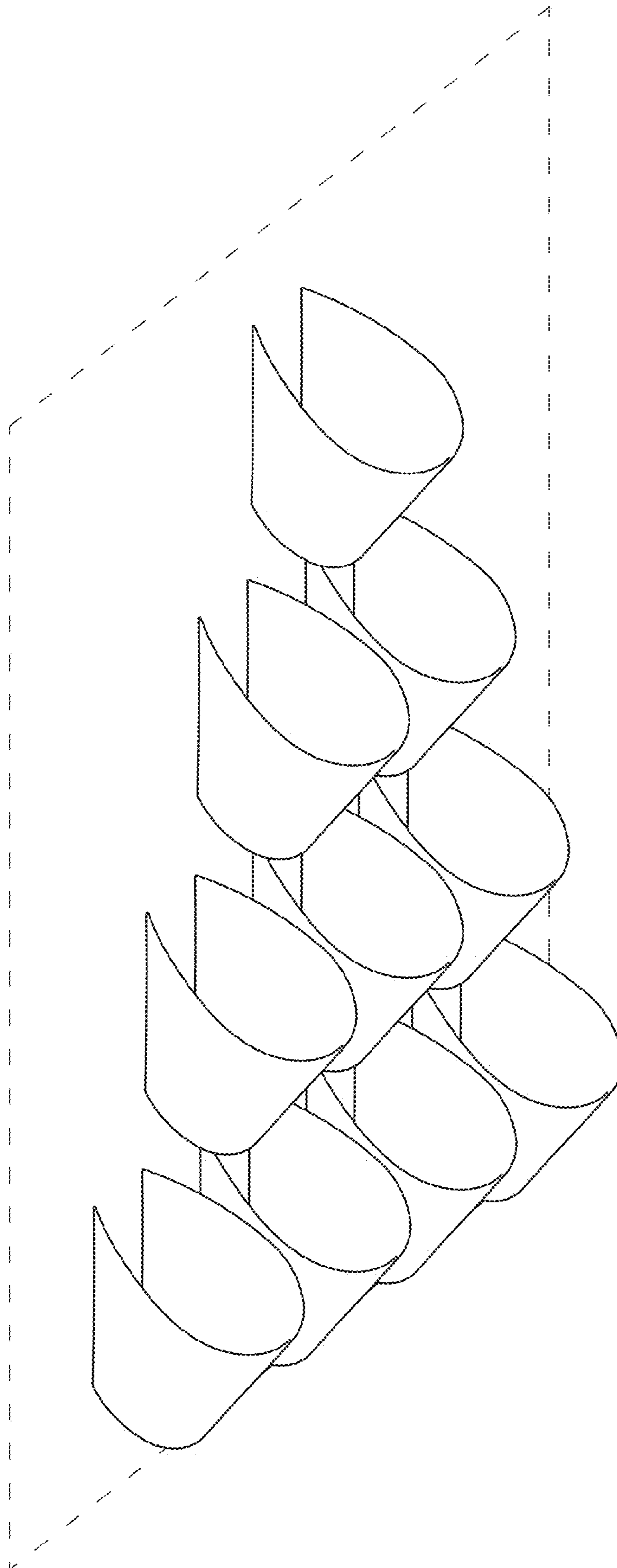
- 1. Multi-sports target
- 1.1 Front
- 1.2 Perspective
- 1.3 Perspective
- 1.4 Right
- 1.5 Left
- 1.6 Top
- 1.7 Bottom

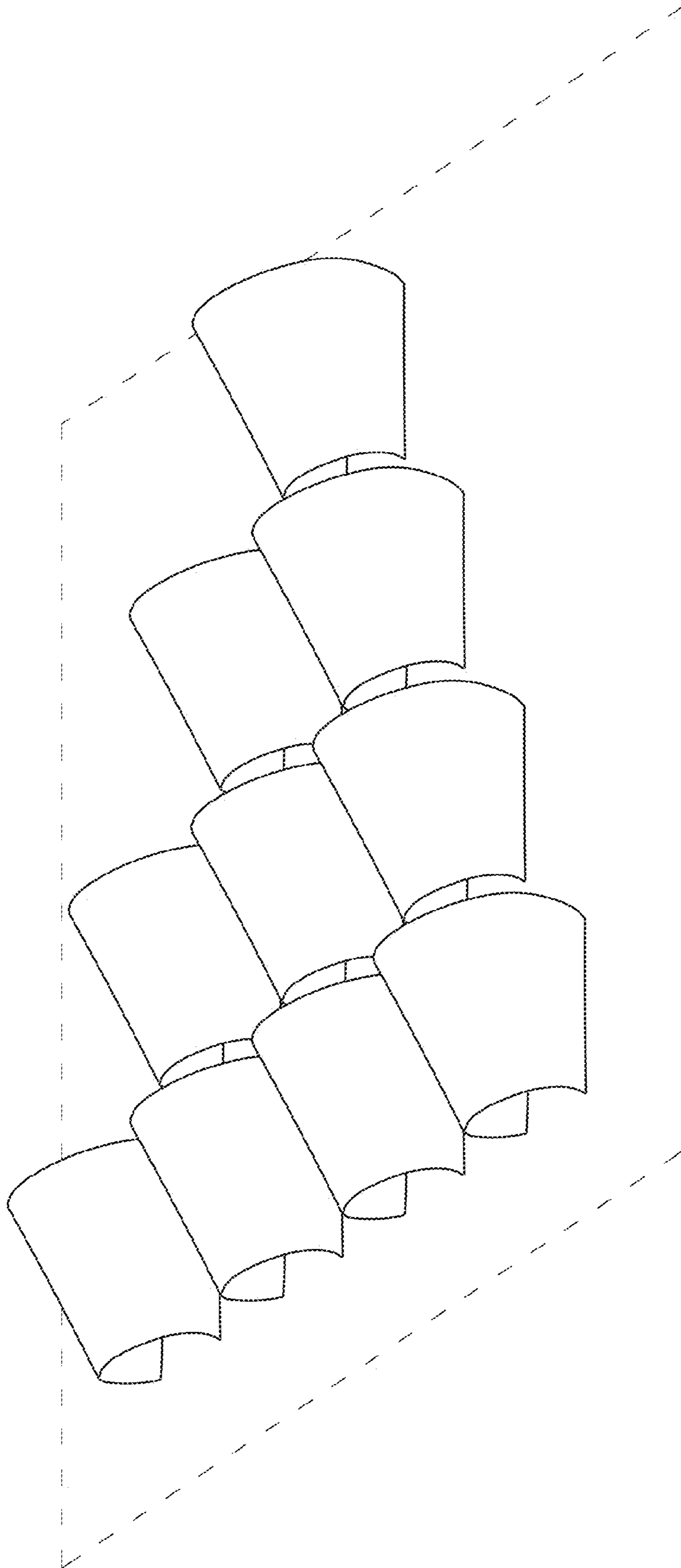
The broken line showing of the multi-sports target is for the purpose of illustrating portions of the article that form no part of the claimed design.

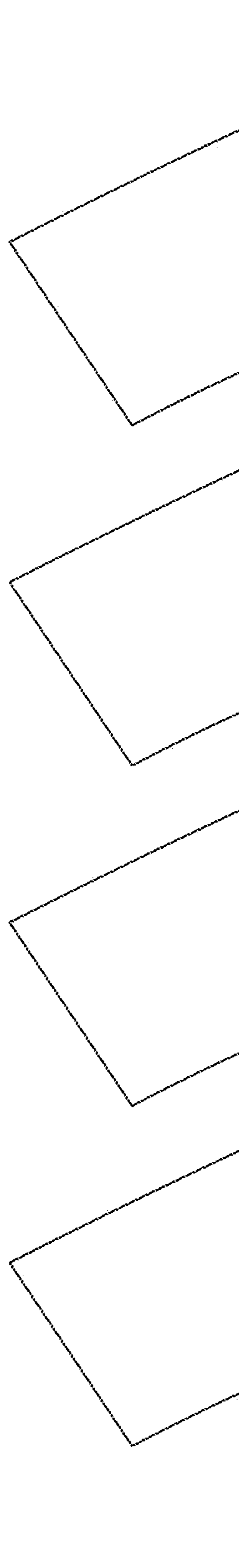
**1 Claim, 7 Drawing Sheets**

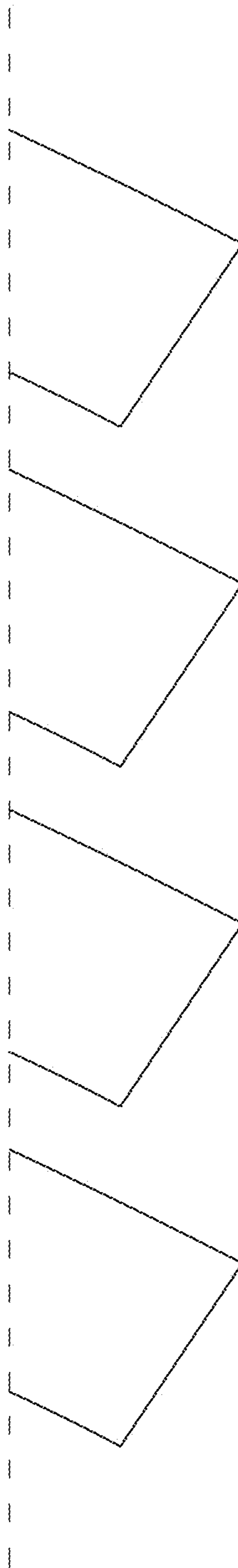




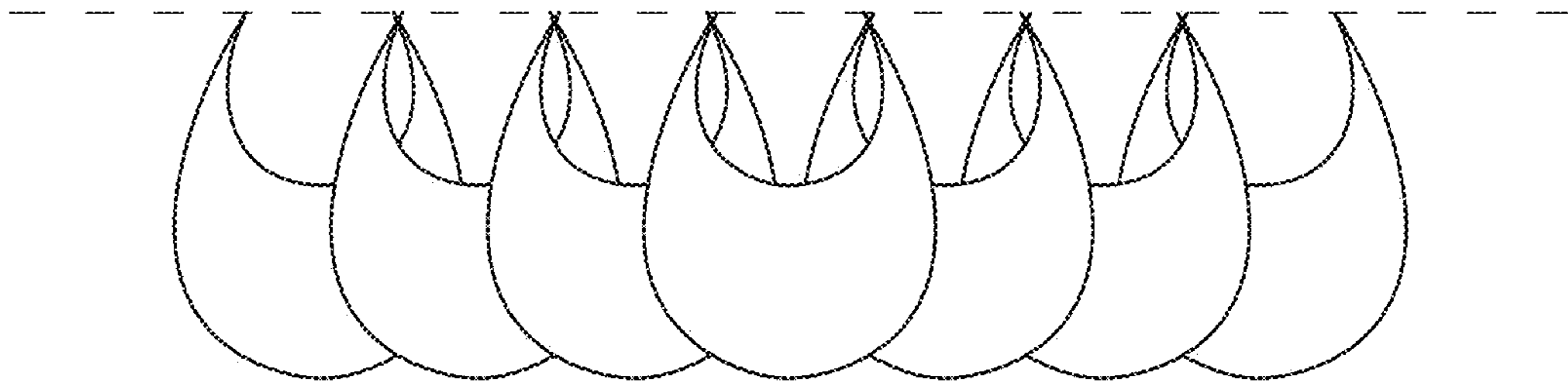




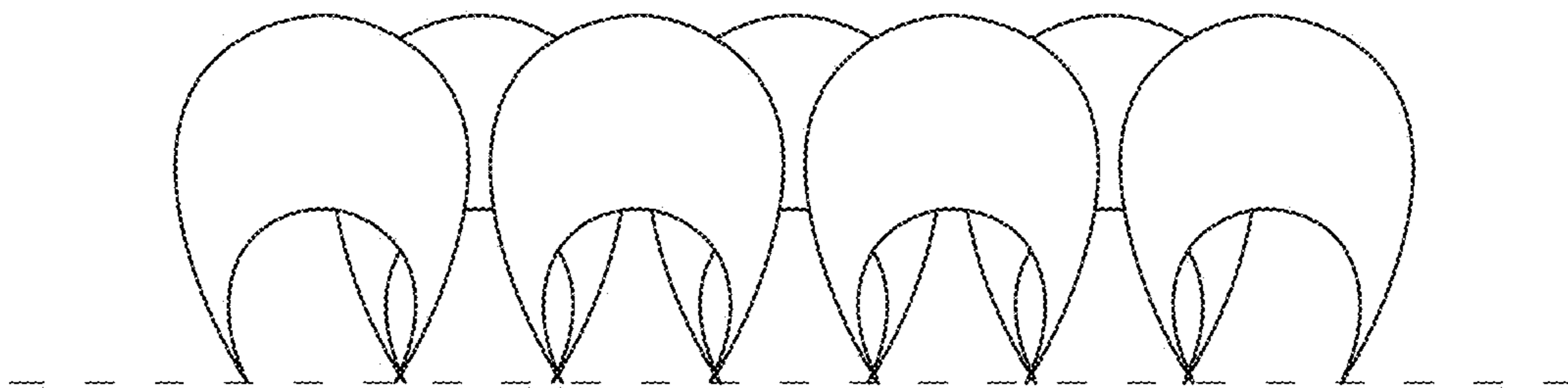




1.5



1.6



1.7