



US00D989870S

(12) **United States Design Patent**  
**Walker**

(10) **Patent No.:** **US D989,870 S**  
(45) **Date of Patent:** **\*\* Jun. 20, 2023**

- (54) **ELECTRONIC SHELF LABEL HOLDER**
- (71) Applicant: **Fasteners for Retail, Inc.**, Twinsburg, OH (US)
- (72) Inventor: **William H. Walker**, Fairlawn, OH (US)
- (73) Assignee: **Fasteners for Retail, Inc.**, Twinsburg, OH (US)

6,119,990 A \* 9/2000 Kump ..... A47F 5/0068  
211/86.01  
6,553,702 B1 \* 4/2003 Bacnik ..... G09F 3/204  
40/649  
D480,949 S \* 10/2003 Kosir ..... D8/373  
6,793,185 B2 \* 9/2004 Joliey ..... G09F 3/204  
40/658  
7,455,081 B2 \* 11/2008 Bacnik ..... G09F 3/204  
40/642.02

(Continued)

(\*\*) Term: **15 Years**

(21) Appl. No.: **29/801,260**

(22) Filed: **Jul. 28, 2021**

(51) **LOC (14) Cl.** ..... **20-03**

(52) **U.S. Cl.**  
USPC ..... **D20/43**

(58) **Field of Classification Search**  
USPC ..... D8/125, 126, 127, 129, 451; D6/325,  
D6/328; D13/155; D20/10, 42-44, 99;  
D25/119

CPC . G09F 3/16; G09F 3/204; G09F 3/207; G09F  
3/205; G09F 3/208; G09F 3/185; G09F  
3/18; G09F 3/10; G09F 3/0288; G09F  
2003/0201; G09F 2003/0264; G09F  
2003/0276; G09F 2003/0285; B32B  
2451/00; B44C 1/1733; B44C 1/18; B44C  
1/24

See application file for complete search history.

(56) **References Cited**

**U.S. PATENT DOCUMENTS**

2,566,837 A \* 9/1951 Huelsmeyer ..... G09F 3/20  
40/658  
3,320,690 A \* 5/1967 Forsburg ..... G09F 3/204  
40/650  
D347,449 S \* 5/1994 Garfinkle ..... D20/43  
5,720,398 A \* 2/1998 Kump ..... A47F 5/0068  
211/186

**OTHER PUBLICATIONS**

Pvc plastic extruded, posted at Alibaba.com, posted on Aug. 15, 2018, site visited Sep. 8, 2022. online, available from internet: <https://tineye.com/search/c4cd9946960a9e281a0eea68fc899732272ab07b?sort=score&order=desc&page=1> (Year: 2018).\*

(Continued)

*Primary Examiner* — Catherine Ho

(74) *Attorney, Agent, or Firm* — Honigman LLP

(57) **CLAIM**

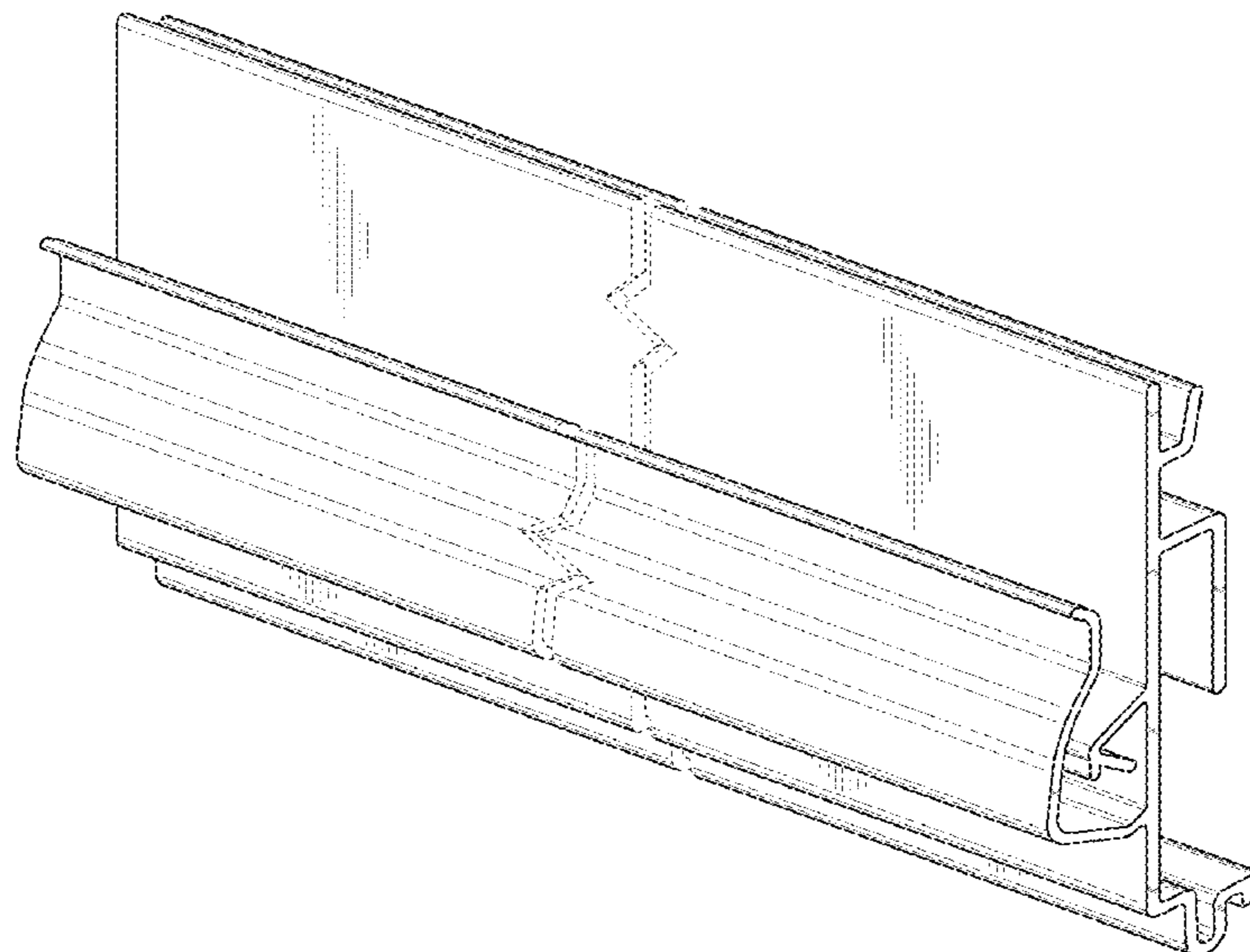
I claim the ornamental design for an electronic shelf label holder, as shown and described.

**DESCRIPTION**

FIG. 1 is a top front perspective view of an electronic shelf label holder, showing my new design;  
FIG. 2 is a top rear perspective view thereof;  
FIG. 3 is a left side elevation view thereof;  
FIG. 4 is a right side view thereof;  
FIG. 5 is a front view thereof;  
FIG. 6 is a rear view thereof;  
FIG. 7 is a top view thereof; and,  
FIG. 8 is a bottom view thereof.

The article is shown with a symbolic break in its length. The appearance of any portion of the article between the jagged break lines forms no part of the claimed design.

**1 Claim, 6 Drawing Sheets**



(56)

**References Cited**

U.S. PATENT DOCUMENTS

D768,243 S \* 10/2016 Garfinkle ..... D20/43  
9,697,753 B2 \* 7/2017 Johnson ..... G09F 3/204  
D942,047 S \* 1/2022 Schulten ..... D25/124  
D942,048 S \* 1/2022 Schulten ..... D25/124  
2005/0133676 A1 \* 6/2005 Brinkman ..... A47F 5/0869  
248/223.41  
2005/0193612 A1 \* 9/2005 Lowry ..... G09F 3/204  
40/642.02  
2013/0008065 A1 \* 1/2013 Danielson ..... G09F 23/06  
40/606.01  
2017/0103685 A1 \* 4/2017 Johnson ..... A47F 5/0043

OTHER PUBLICATIONS

Electronic shelf label, posted at extru.form.de, posted on Sep. 5, 2019, site visited Sep. 8, 2022. online, available from internet:  
<https://tineye.com/search/c139d772b18237f0759a10b07f1bae5c28a60d00?sort=score&order=desc&page=1> (Year: 2019).\*

\* cited by examiner

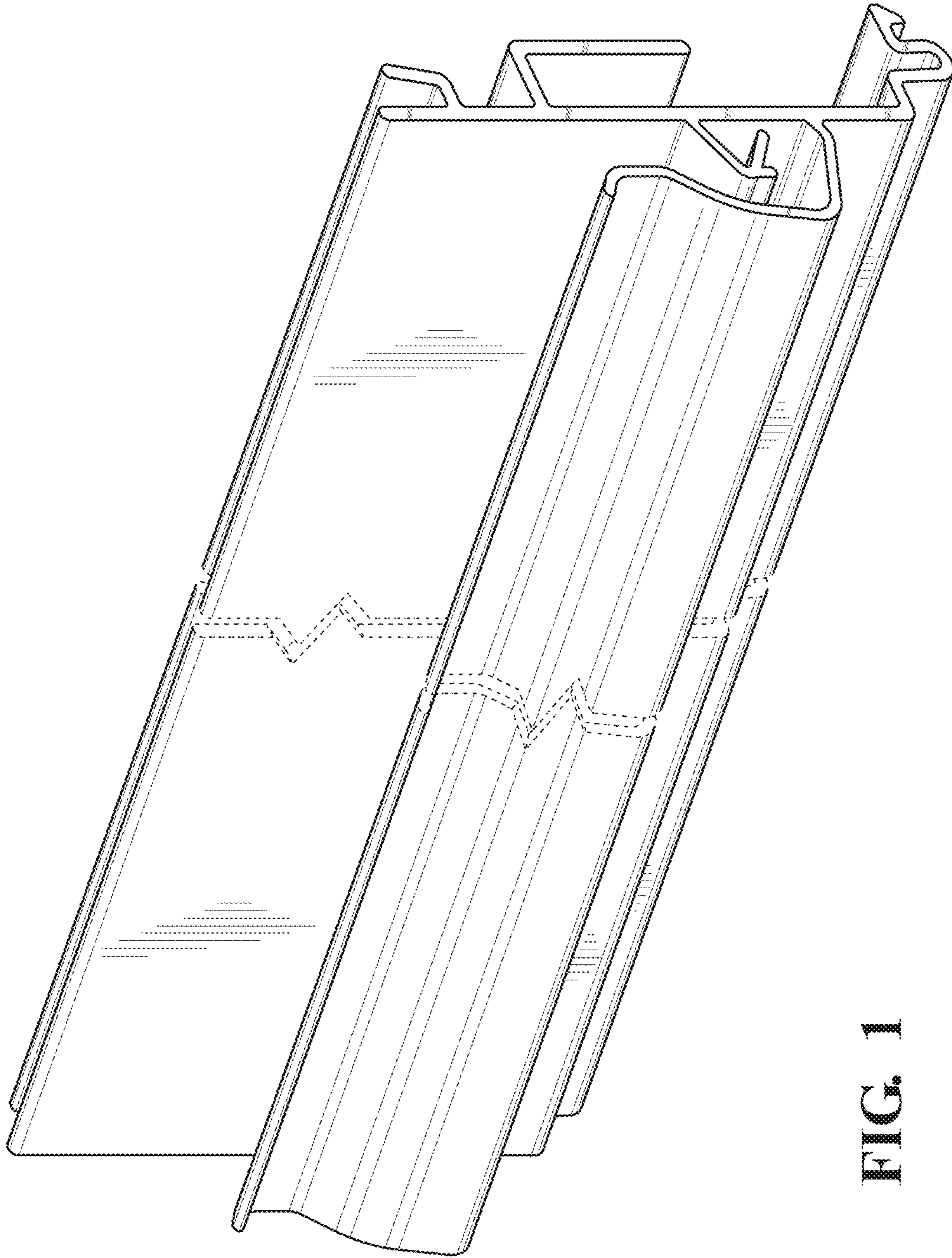


FIG. 1

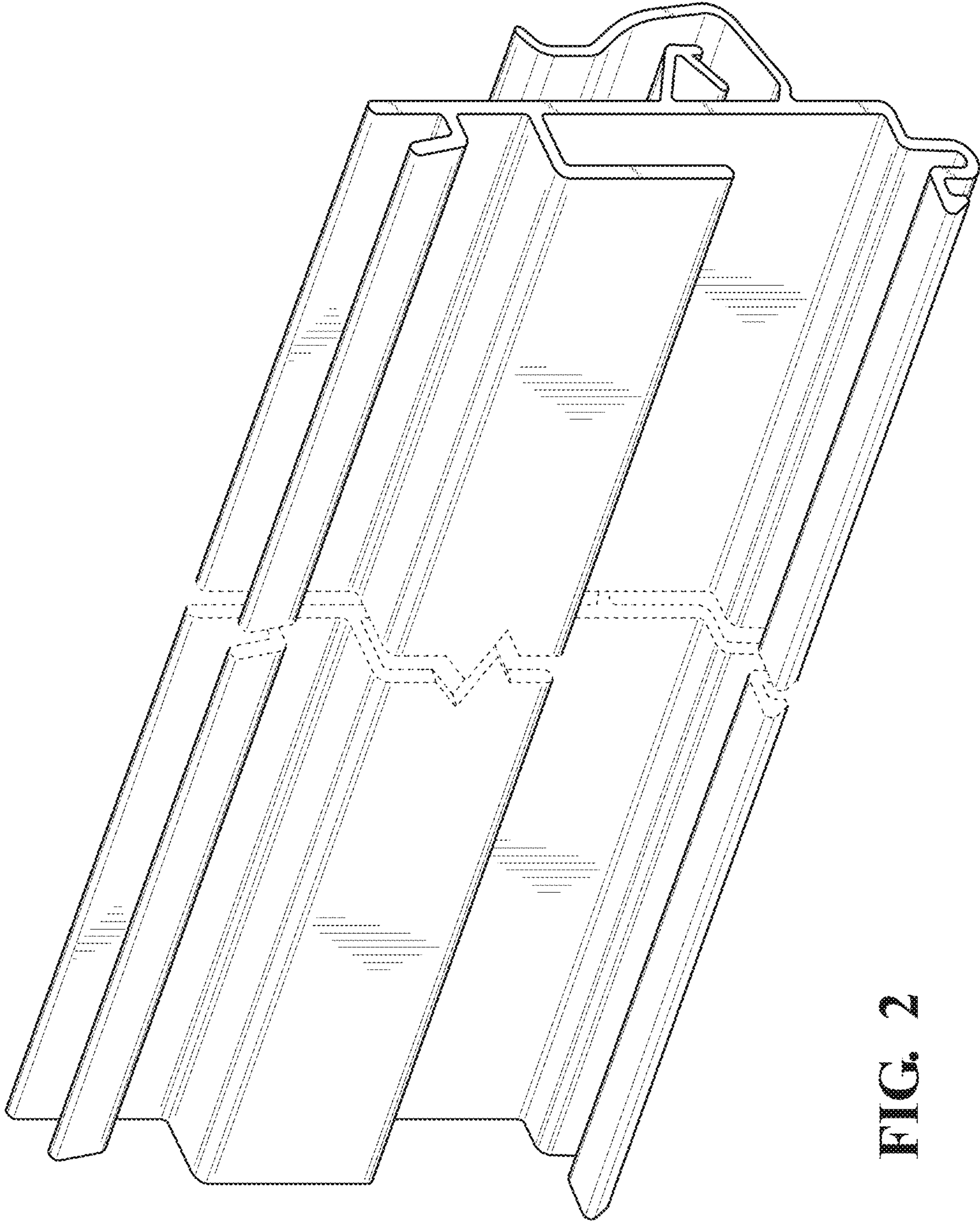
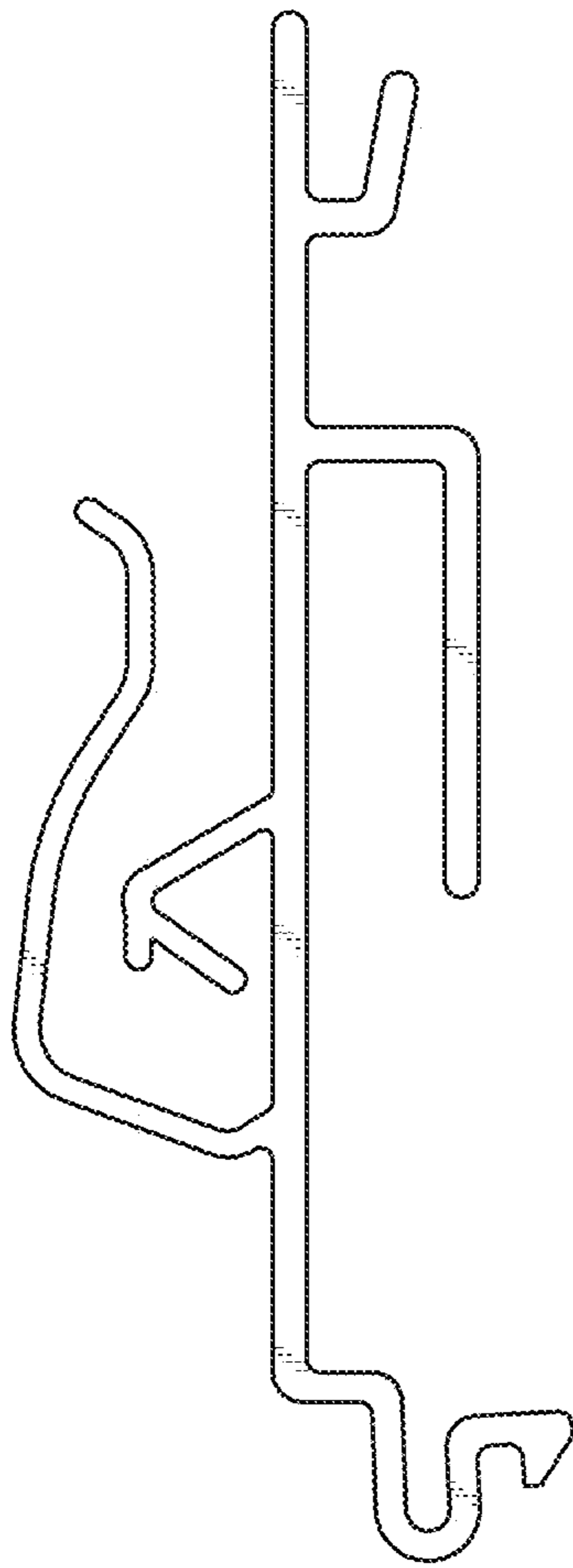
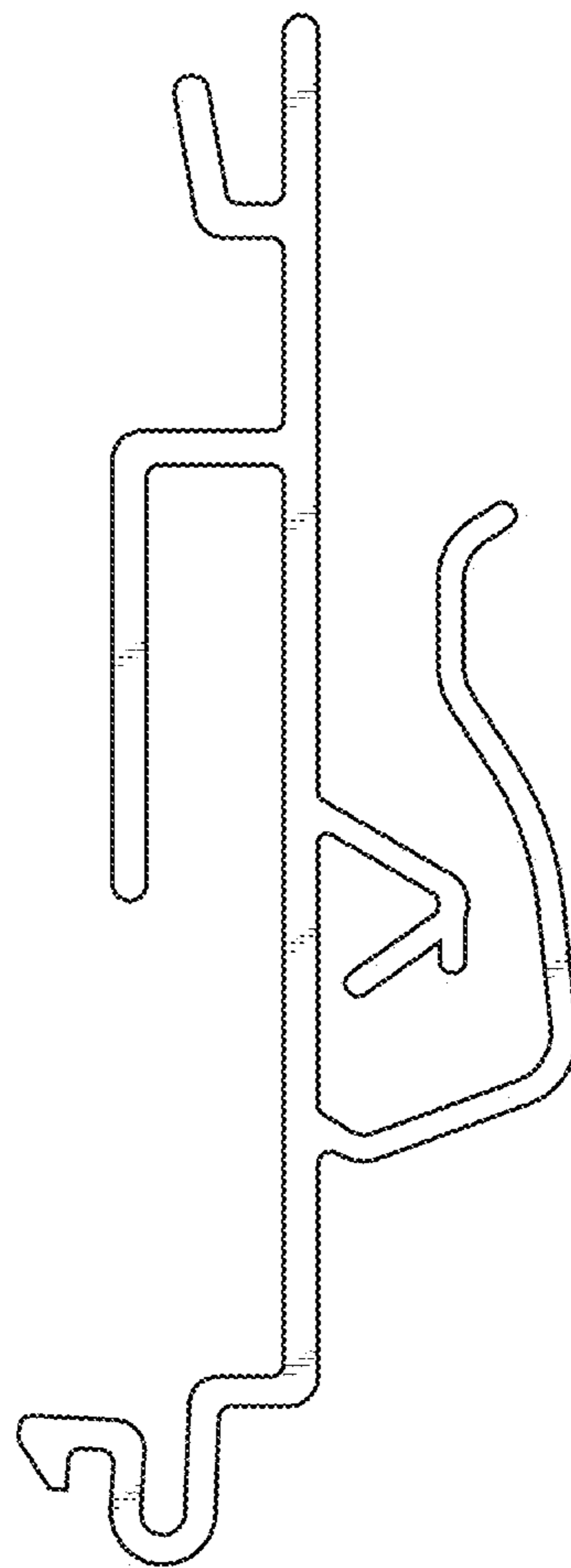


FIG. 2



**FIG. 3**



**FIG. 4**

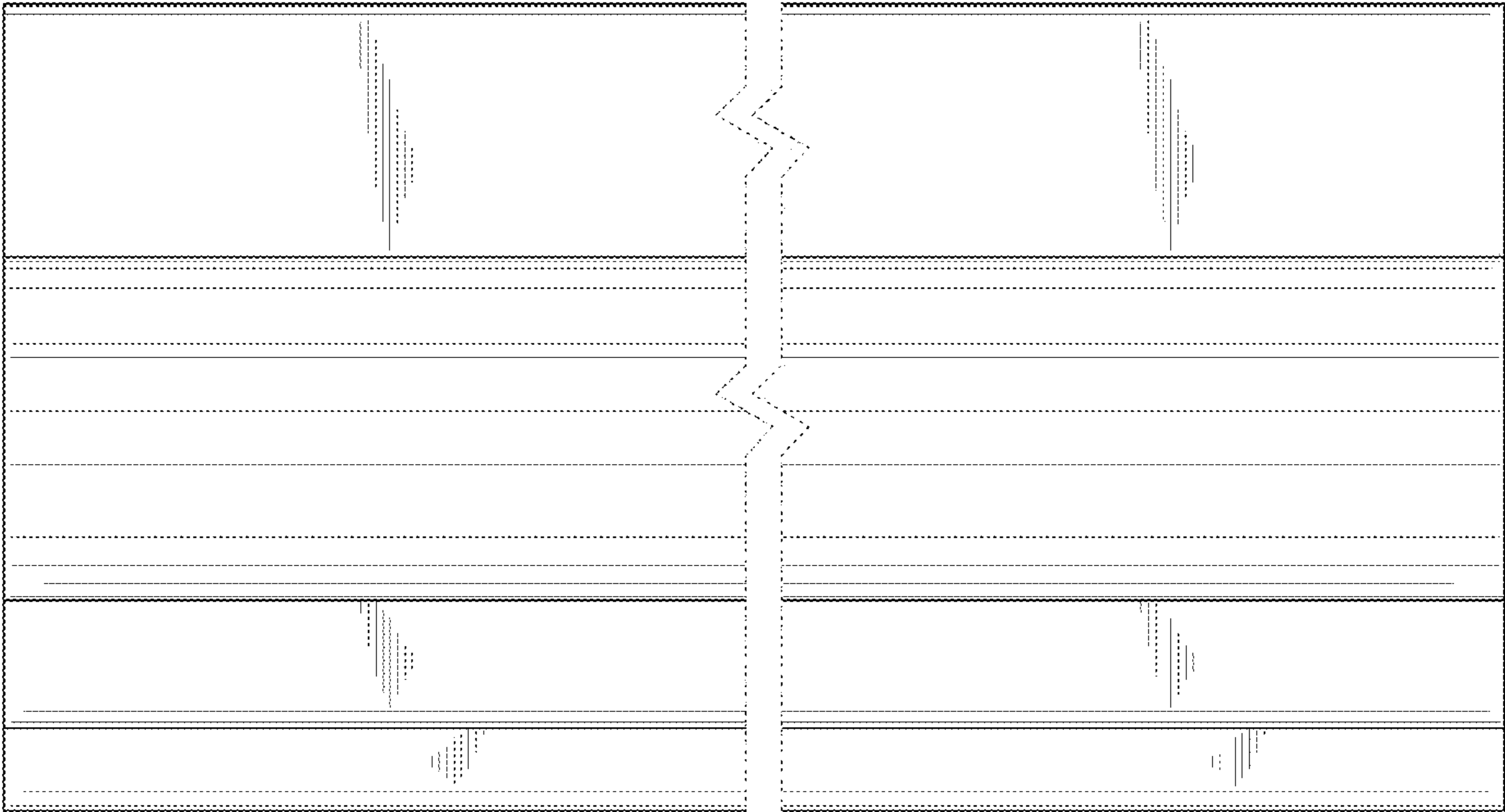


FIG. 5

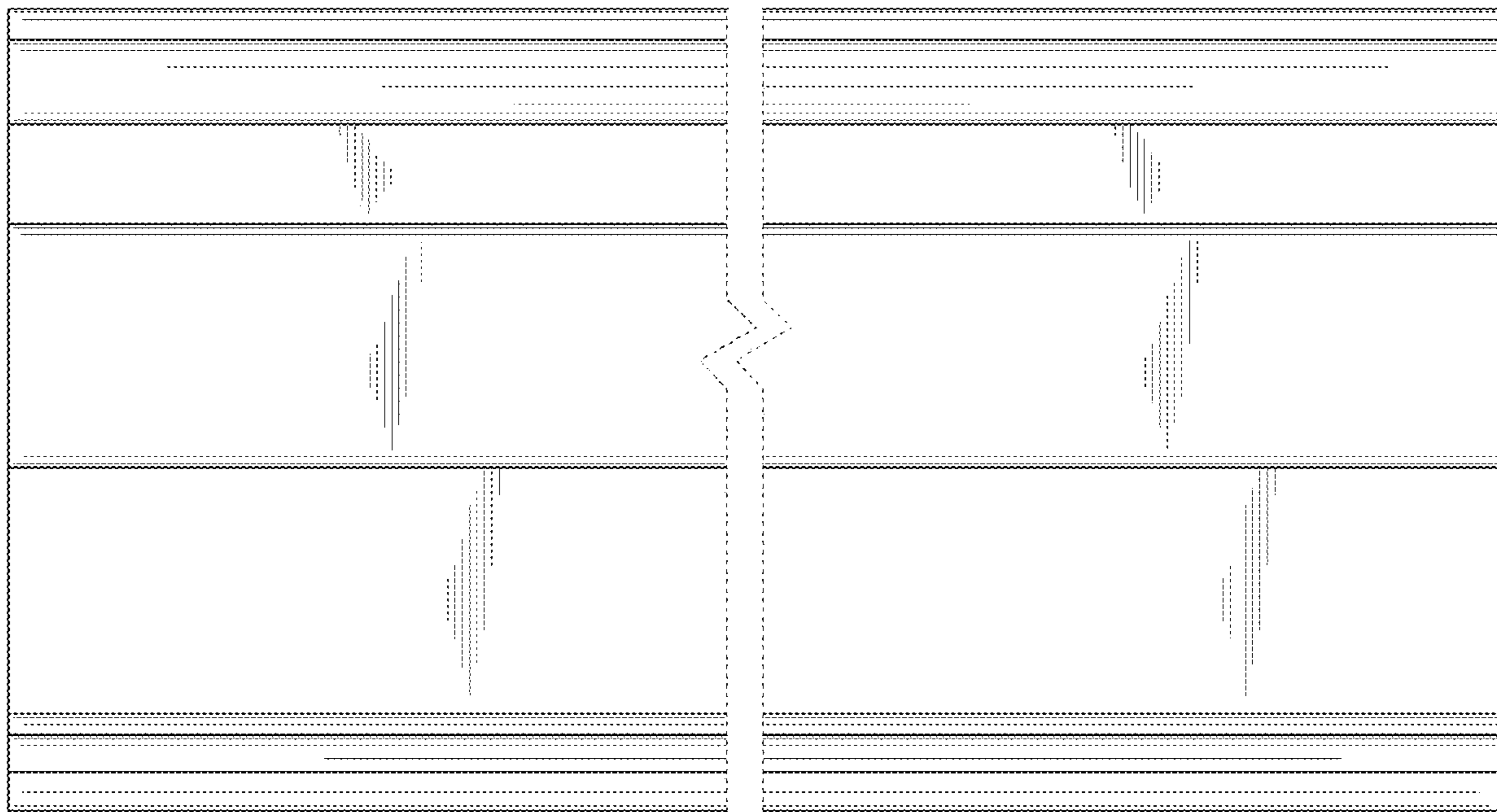


FIG. 6

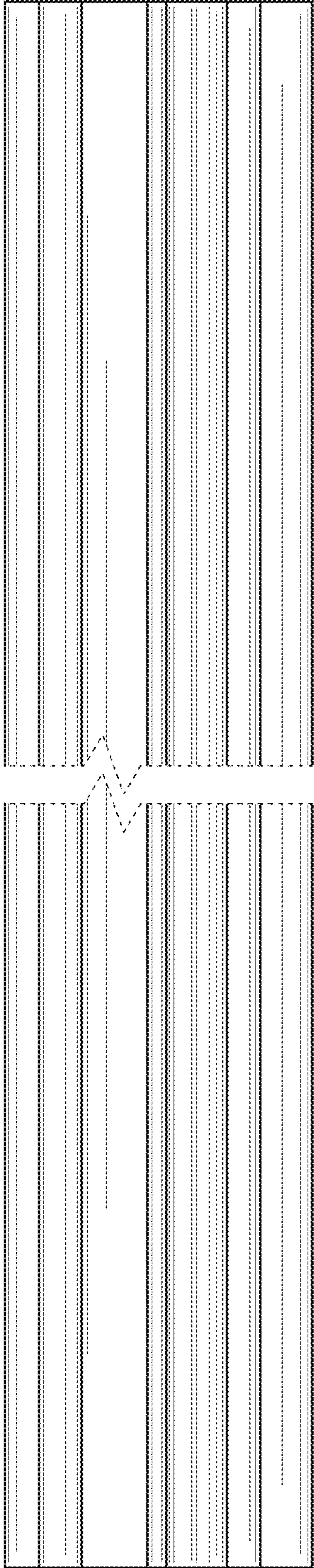


FIG. 7

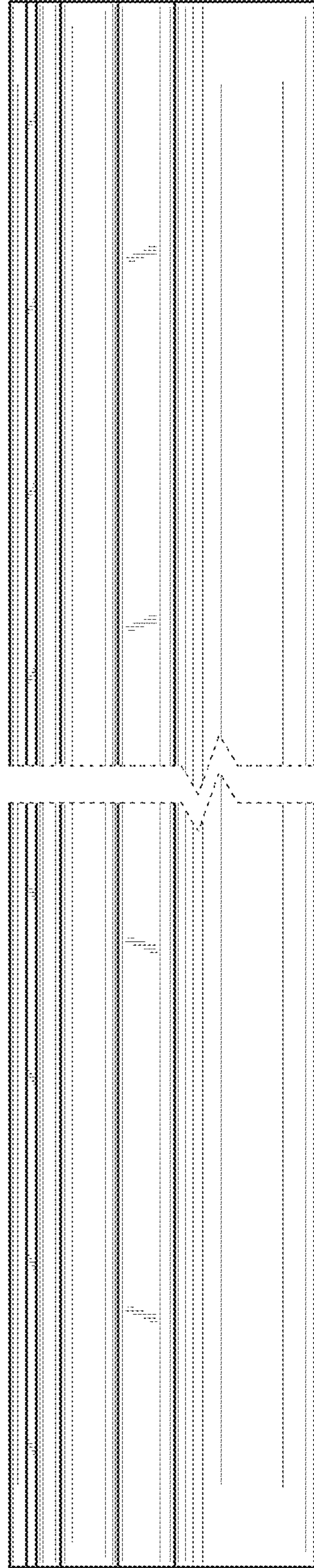


FIG. 8