



US00D989869S

(12) **United States Design Patent**  
**Walker et al.**

(10) **Patent No.:** **US D989,869 S**  
(45) **Date of Patent:** **\*\* Jun. 20, 2023**

- (54) **DISPLAY CLIP**
- (71) Applicant: **Fasteners for Retail, Inc.**, Twinsburg, OH (US)
- (72) Inventors: **William H. Walker**, Fairlawn, OH (US); **David Schultz**, Walworth, WI (US)
- (73) Assignee: **Fasteners for Retail, Inc.**, Twinsburg, OH (US)
- (\*\*) Term: **15 Years**
- (21) Appl. No.: **29/770,230**
- (22) Filed: **Feb. 10, 2021**
- (51) **LOC (14) Cl.** ..... **20-03**
- (52) **U.S. Cl.**  
USPC ..... **D20/43**
- (58) **Field of Classification Search**  
USPC ..... D8/125, 126, 127, 129, 451; D6/325, D6/328; D13/155; D20/10, 42-44, 99; D25/119  
CPC . G09F 3/16; G09F 3/204; G09F 3/207; G09F 3/205; G09F 3/208; G09F 3/185; G09F 3/18; G09F 3/10; G09F 3/0288; G09F 2003/0201; G09F 2003/0264; G09F 2003/0276; G09F 2003/0285; B32B 2451/00; B44C 1/1733; B44C 1/18; B44C 1/24  
See application file for complete search history.

- (56) **References Cited**  
U.S. PATENT DOCUMENTS  
2,409,814 A \* 10/1946 Vargish ..... A47G 1/141 40/745  
3,209,757 A \* 10/1965 Littler ..... B42F 13/006 402/3  
D227,981 S \* 7/1973 La Borde ..... D25/119

- D238,528 S \* 1/1976 Crawford ..... D6/314
- 4,301,608 A \* 11/1981 Taylor, Jr. .... G09F 3/18 40/661
- 6,430,857 B1 \* 8/2002 Nagel ..... G09F 3/20 40/642.02
- 6,568,113 B1 \* 5/2003 Valiulis ..... G09F 3/204 40/661.09
- D569,916 S \* 5/2008 Garfinkle ..... D20/43
- D573,656 S \* 7/2008 Wamsley ..... D20/43
- D580,498 S \* 11/2008 Healy ..... D20/43
- D640,750 S \* 6/2011 Bird ..... D20/44
- D692,955 S \* 11/2013 Kopco ..... D20/43
- D704,774 S \* 5/2014 Kopco ..... D20/43
- D705,359 S \* 5/2014 Kopco ..... D20/43
- D724,239 S \* 3/2015 Stanfill ..... D25/119
- D748,732 S \* 2/2016 Kopco ..... D20/43
- 2002/0129528 A1 \* 9/2002 Nagel ..... G09F 3/20 40/661.09
- 2003/0098400 A1 \* 5/2003 Fast ..... G09F 3/204 248/225.11

(Continued)

*Primary Examiner* — Catherine Ho  
(74) *Attorney, Agent, or Firm* — Honigman LLP

(57) **CLAIM**

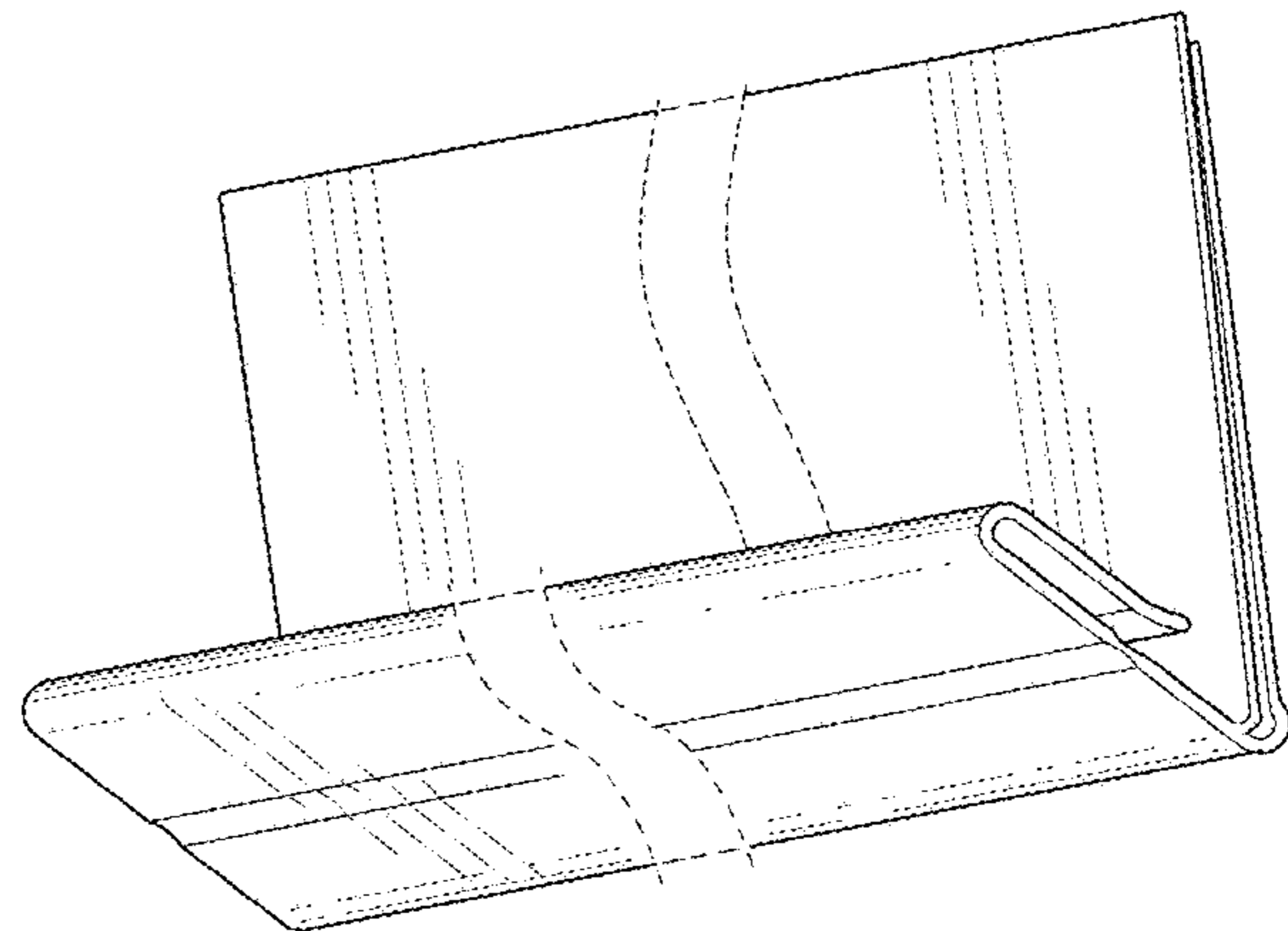
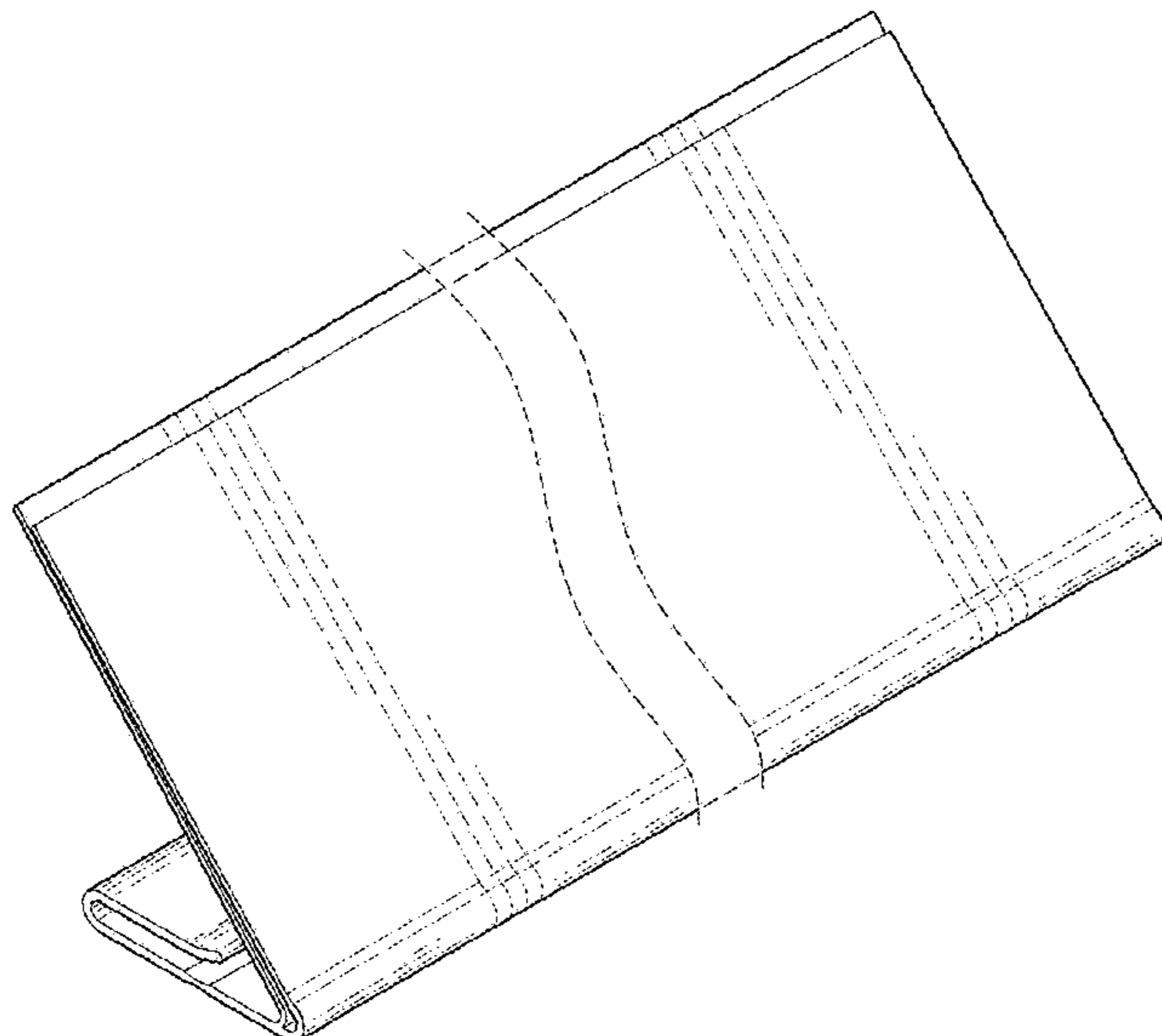
We claim the ornamental design for a display clip, as shown and described.

**DESCRIPTION**

FIG. 1 is a top front perspective view of the claimed design; FIG. 2 is a bottom rear perspective view thereof; FIG. 3 is a front view thereof; FIG. 4 is a rear view thereof; FIG. 5 is a left side view thereof, the right view being a mirror image thereof; FIG. 6 is a top view thereof; and, FIG. 7 is a bottom view thereof.

The article is shown with symbolic break in its length. The appearance of any portion of the article between the wavy break lines forms no part of the claimed design.

**1 Claim, 6 Drawing Sheets**



(56)

**References Cited**

U.S. PATENT DOCUMENTS

2004/0050812 A1\* 3/2004 Rojas ..... A47F 5/0068  
40/649  
2013/0061500 A1\* 3/2013 Bird ..... G09F 3/204  
40/658

\* cited by examiner

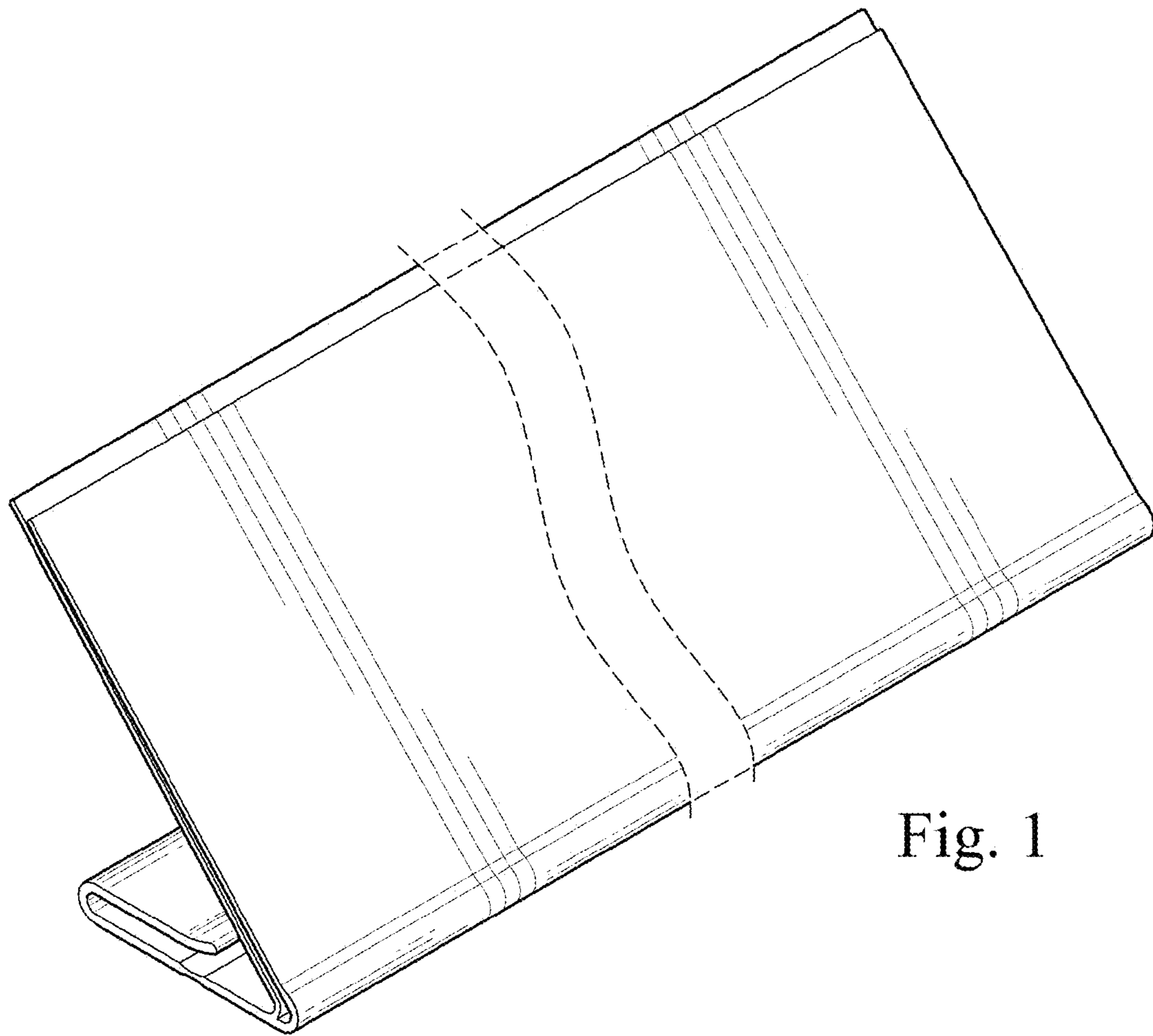


Fig. 1

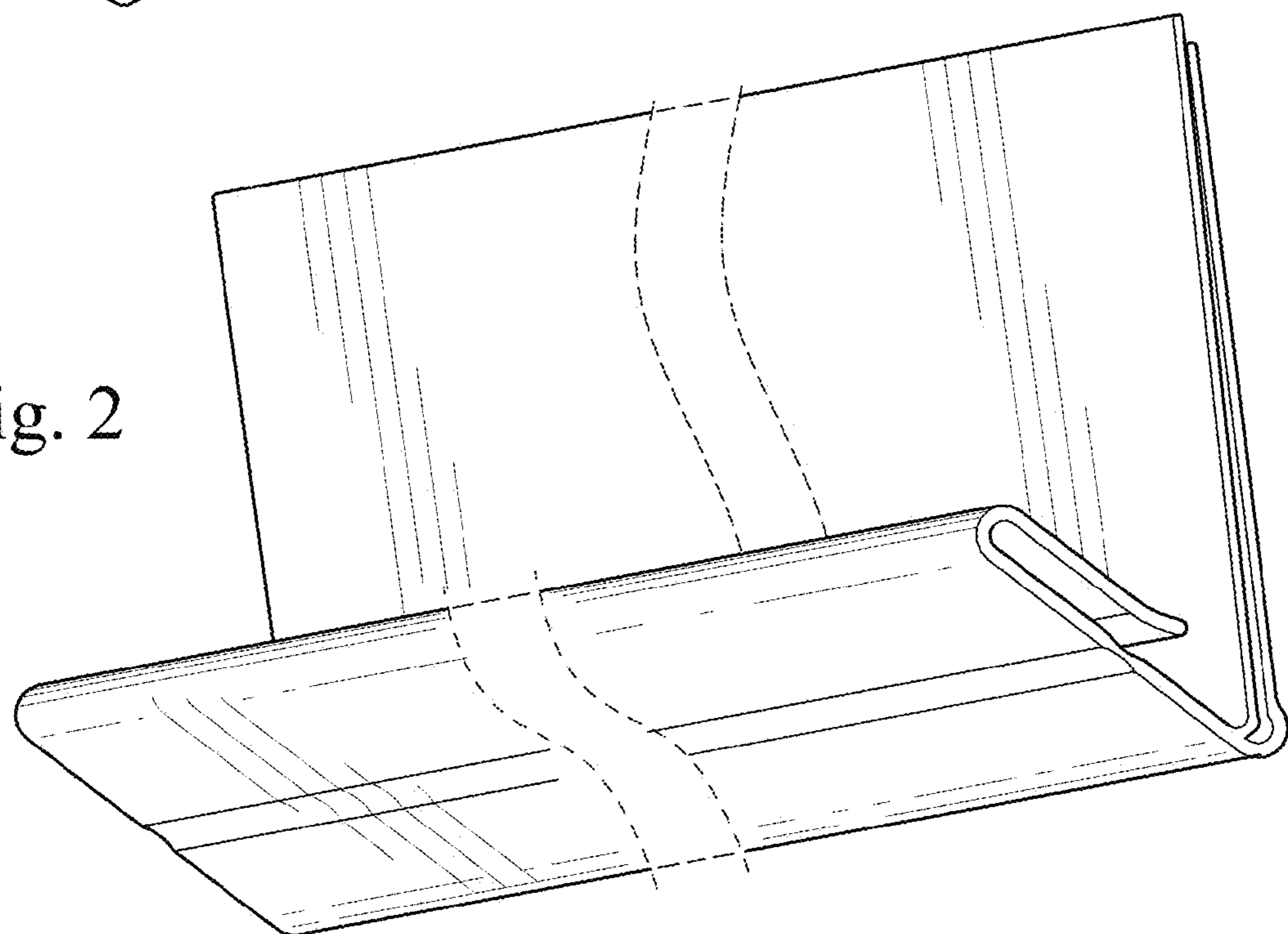


Fig. 2

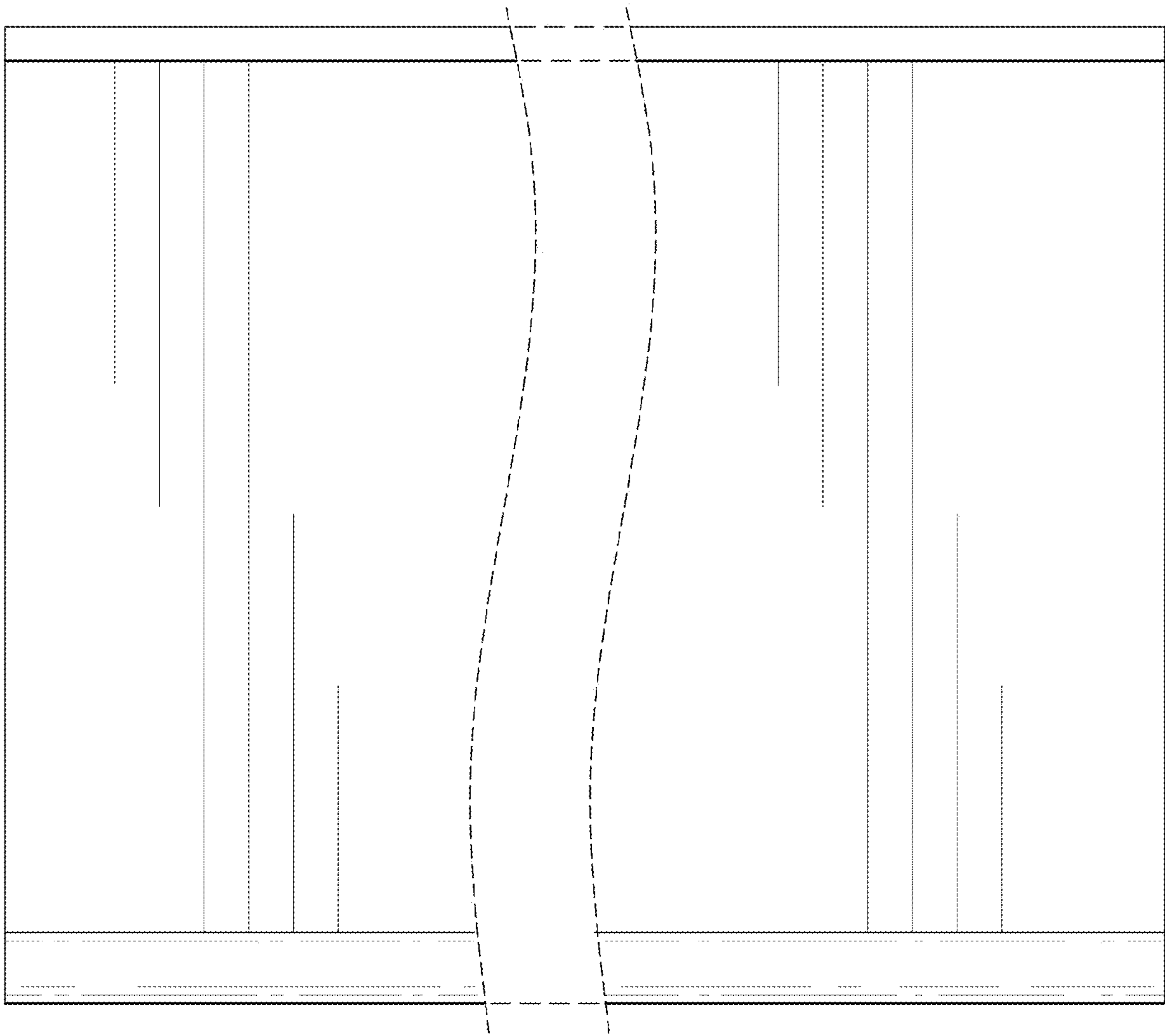


Fig. 3

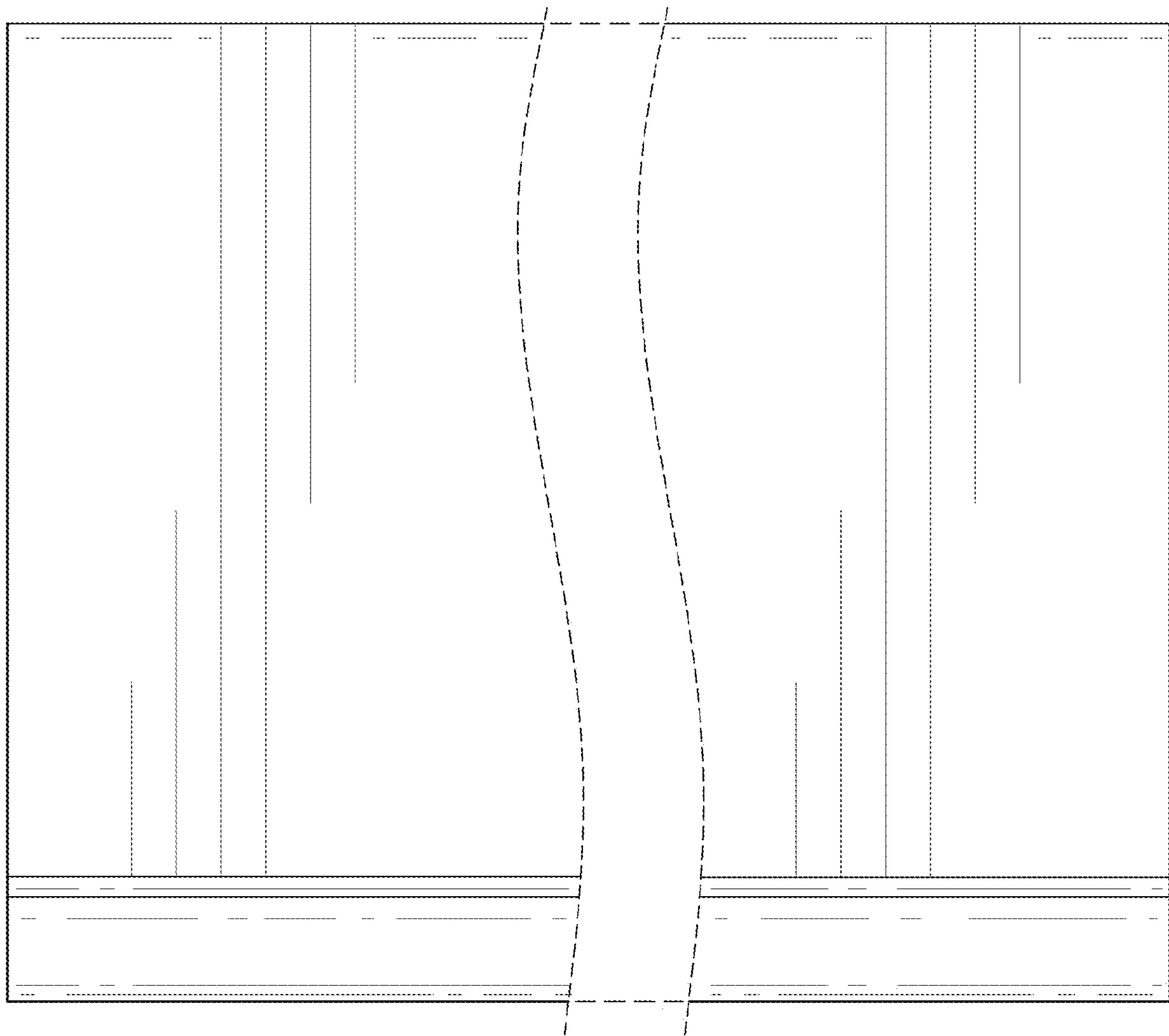


Fig. 4

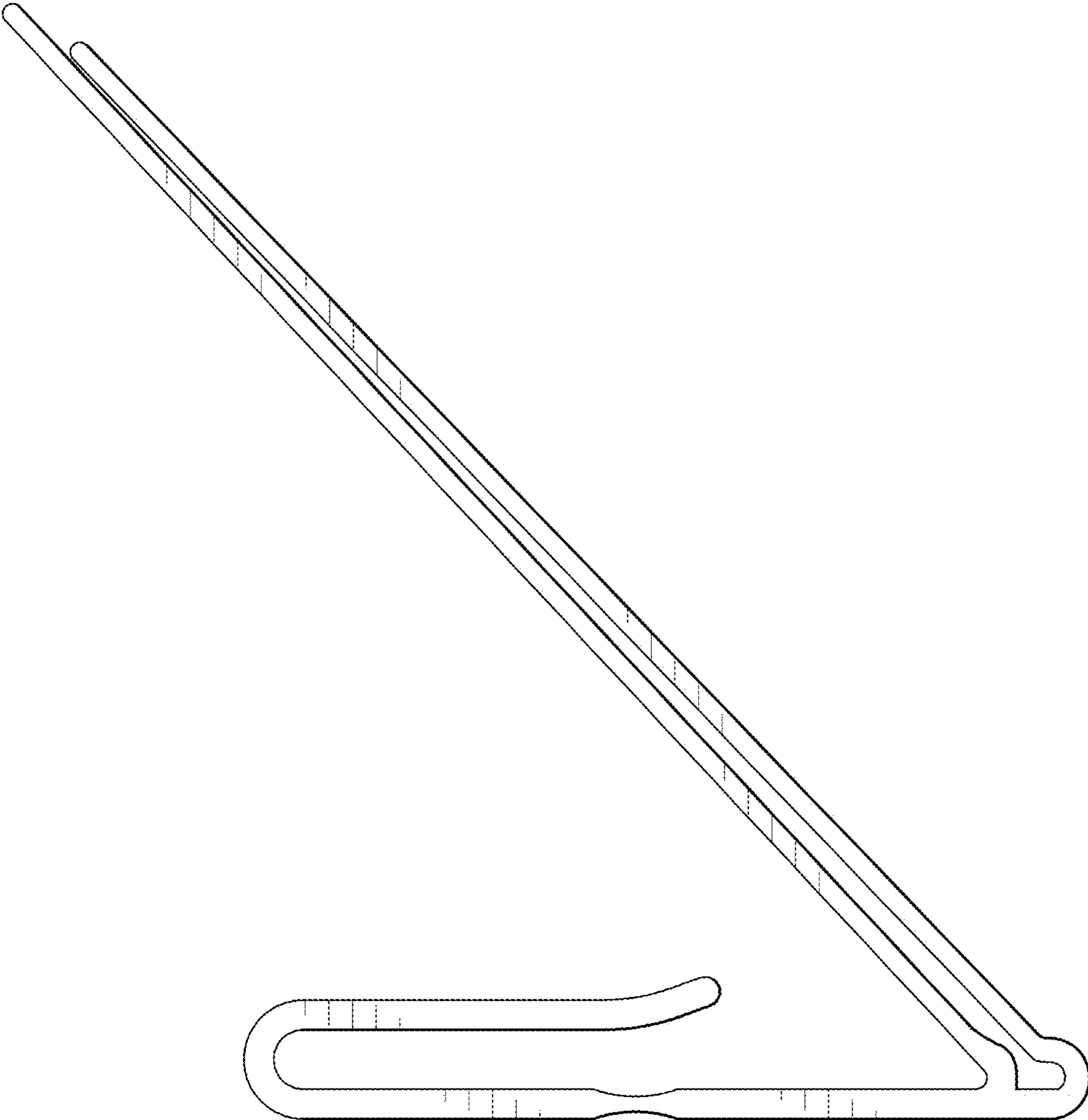


Fig. 5

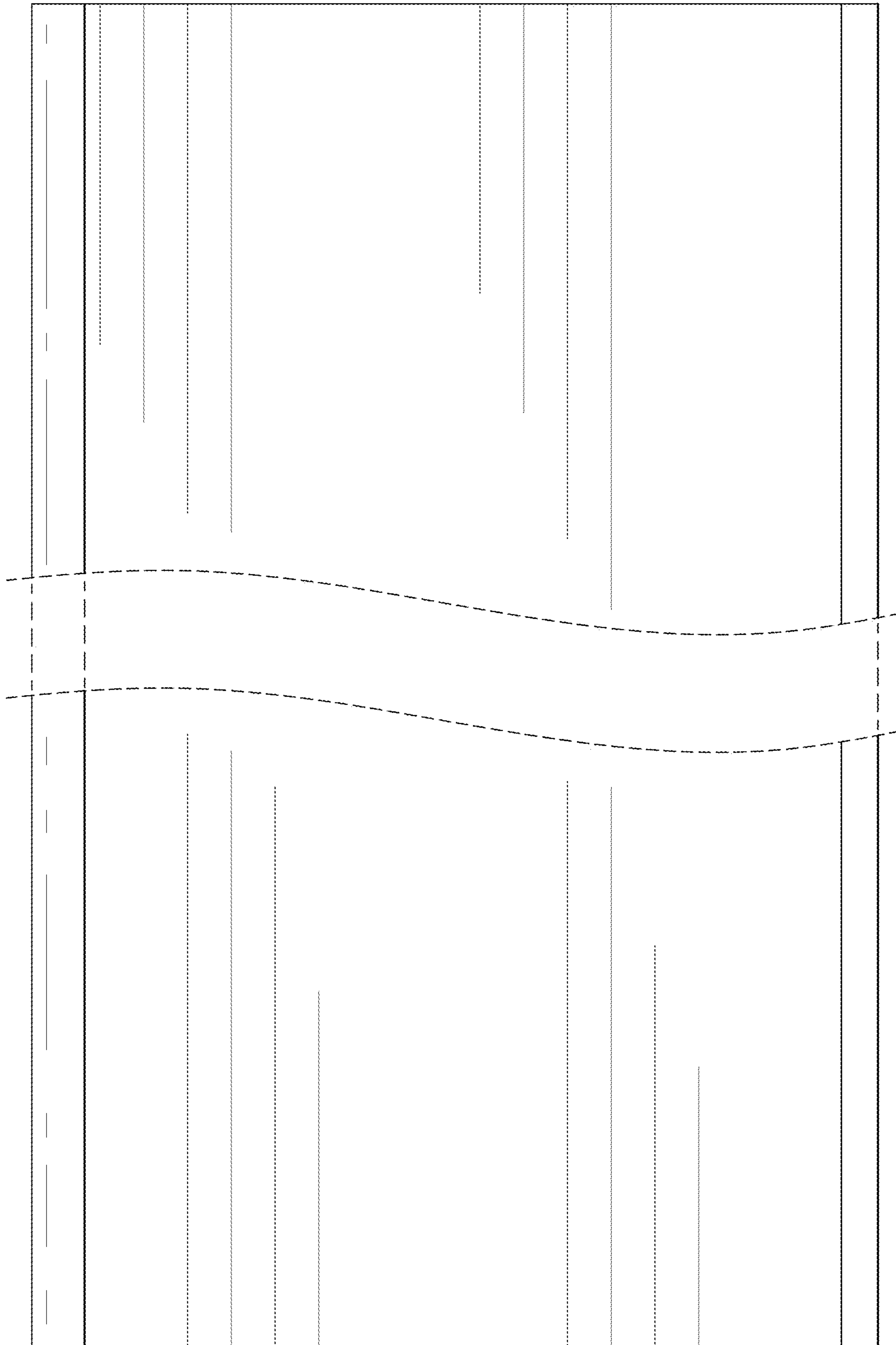


Fig. 6

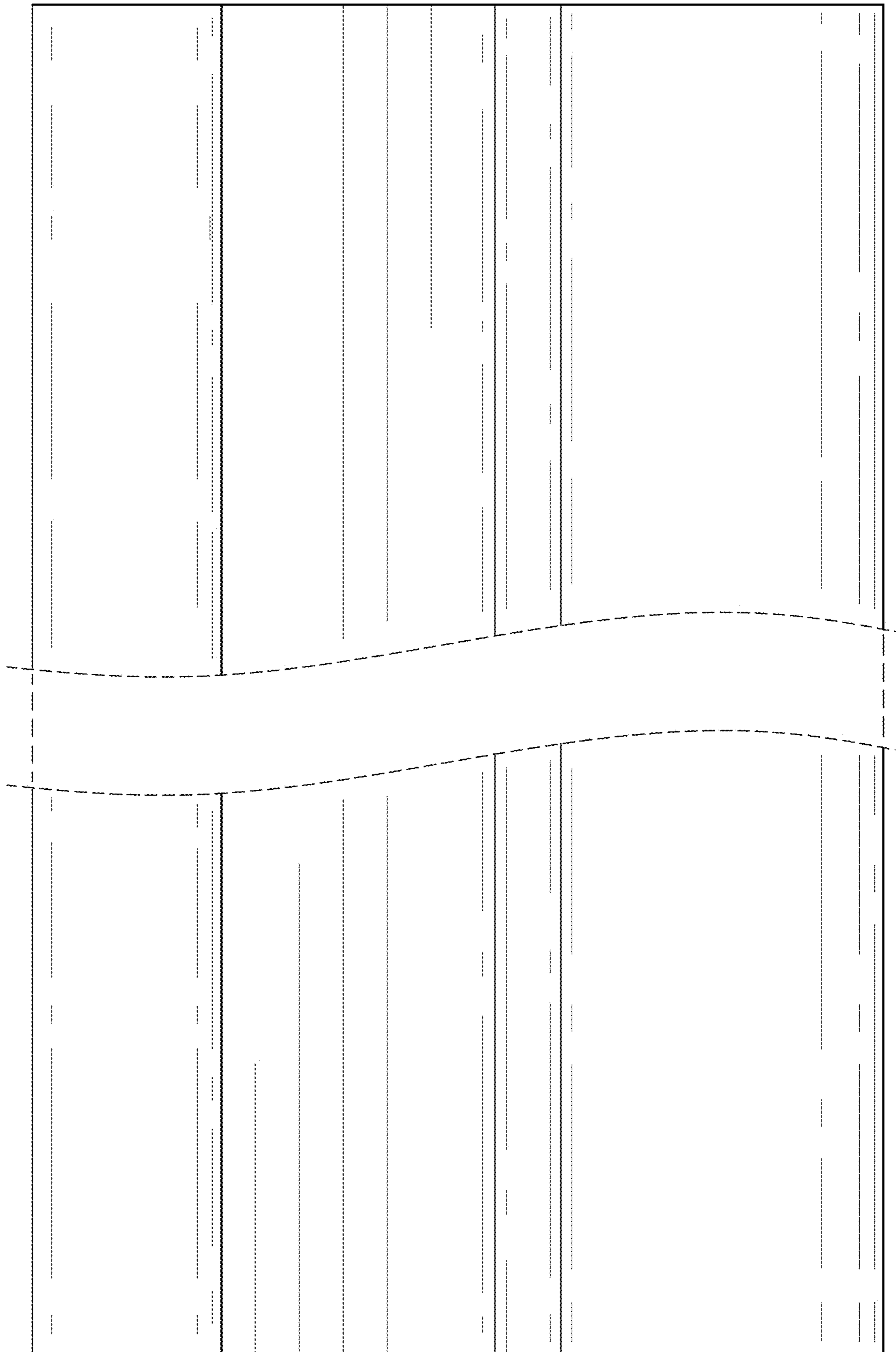


Fig. 7