



US00D989868S

(12) **United States Design Patent**
Walker et al.

(10) **Patent No.:** **US D989,868 S**
(45) **Date of Patent:** **** Jun. 20, 2023**

- (54) **DISPLAY CLIP**
- (71) Applicant: **Fasteners for Retail, Inc.**, Twinsburg, OH (US)
- (72) Inventors: **William H. Walker**, Fairlawn, OH (US); **David Schultz**, Walworth, WI (US)
- (73) Assignee: **Fasteners for Retail, Inc.**, Twinsburg, OH (US)
- (**) Term: **15 Years**
- (21) Appl. No.: **29/770,225**
- (22) Filed: **Feb. 10, 2021**
- (51) **LOC (14) Cl.** **20-03**
- (52) **U.S. Cl.**
USPC **D20/43**
- (58) **Field of Classification Search**
USPC D8/125, 126, 127, 129, 451; D6/325, D6/328; D13/155; D20/10, 42-44, 99; D25/119
CPC . G09F 3/16; G09F 3/204; G09F 3/207; G09F 3/205; G09F 3/208; G09F 3/20; G09F 3/185; G09F 3/18; G09F 3/10; G09F 3/0288; G09F 2003/0201; G09F 2003/0264; G09F 2003/0276; G09F 2003/0285; B32B 2451/00; B44C 1/1733; B44C 1/18; B44C 1/24
See application file for complete search history.

- (56) **References Cited**
U.S. PATENT DOCUMENTS
2,409,814 A * 10/1946 Vargish A47G 1/141 40/745
3,209,757 A * 10/1965 Littler B42F 13/006 402/3
D227,981 S * 7/1973 La Borde D25/119

- D238,528 S * 1/1976 Crawford D6/314
- 4,301,608 A * 11/1981 Taylor, Jr. G09F 3/18 40/661
- 6,430,857 B1 * 8/2002 Nagel G09F 3/20 40/642.02
- 6,568,113 B1 * 5/2003 Valiulis G09F 3/204 40/661.09
- D569,916 S * 5/2008 Garfinkle D20/43
- D573,656 S * 7/2008 Wamsley D20/43
- D580,498 S * 11/2008 Healy D20/43
- D640,750 S * 6/2011 Bird D20/44
- D692,955 S * 11/2013 Kopco D20/43
- D704,774 S * 5/2014 Kopco D20/43
- D705,359 S * 5/2014 Kopco D20/43
- D724,239 S * 3/2015 Stanfill D25/119
- D748,732 S * 2/2016 Kopco D20/43
- 2002/0129528 A1 * 9/2002 Nagel G09F 3/20 40/661.09
- 2003/0098400 A1 * 5/2003 Fast G09F 3/204 248/225.11

(Continued)

Primary Examiner — Catherine Ho
(74) *Attorney, Agent, or Firm* — Honigman LLP

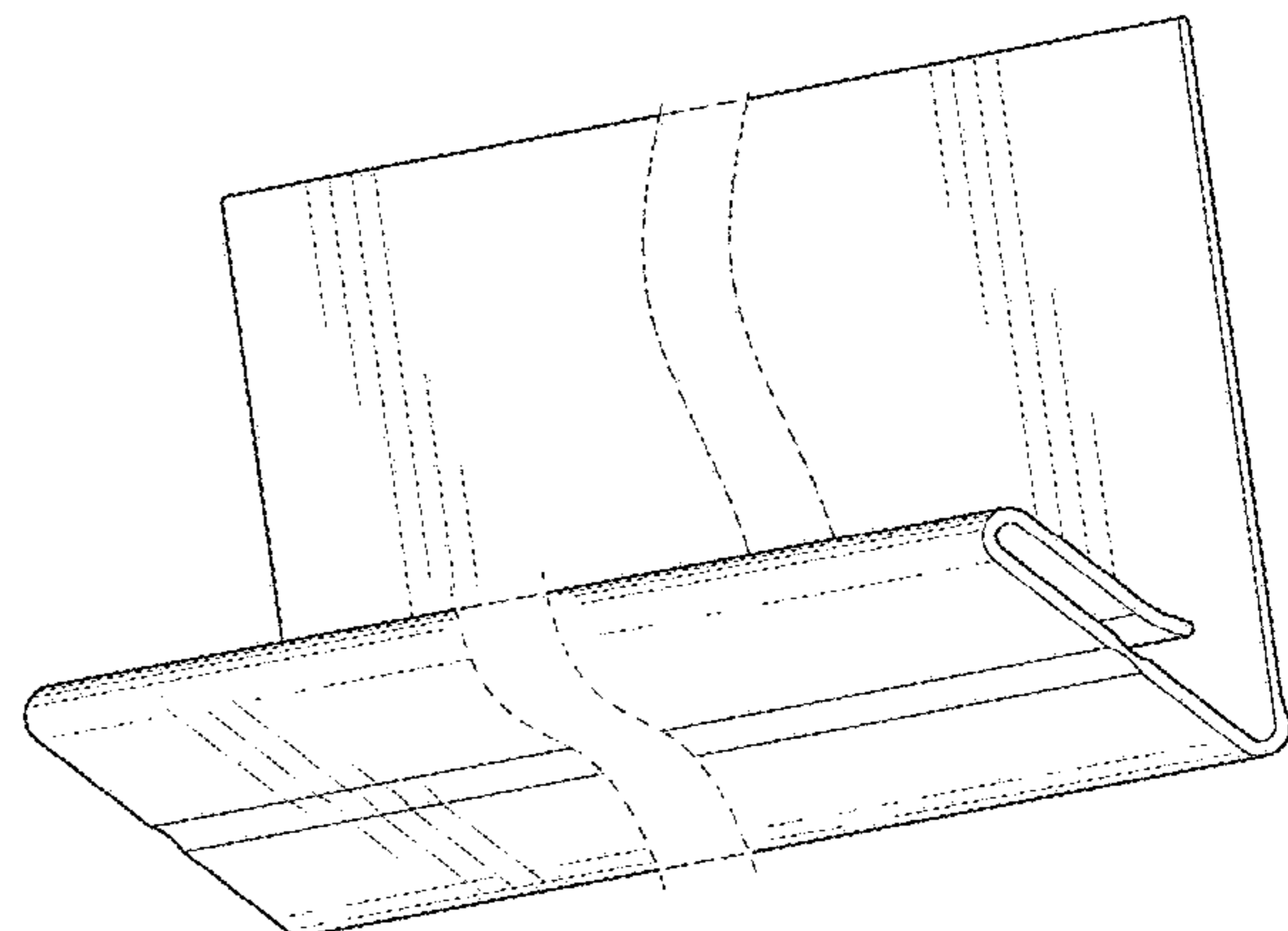
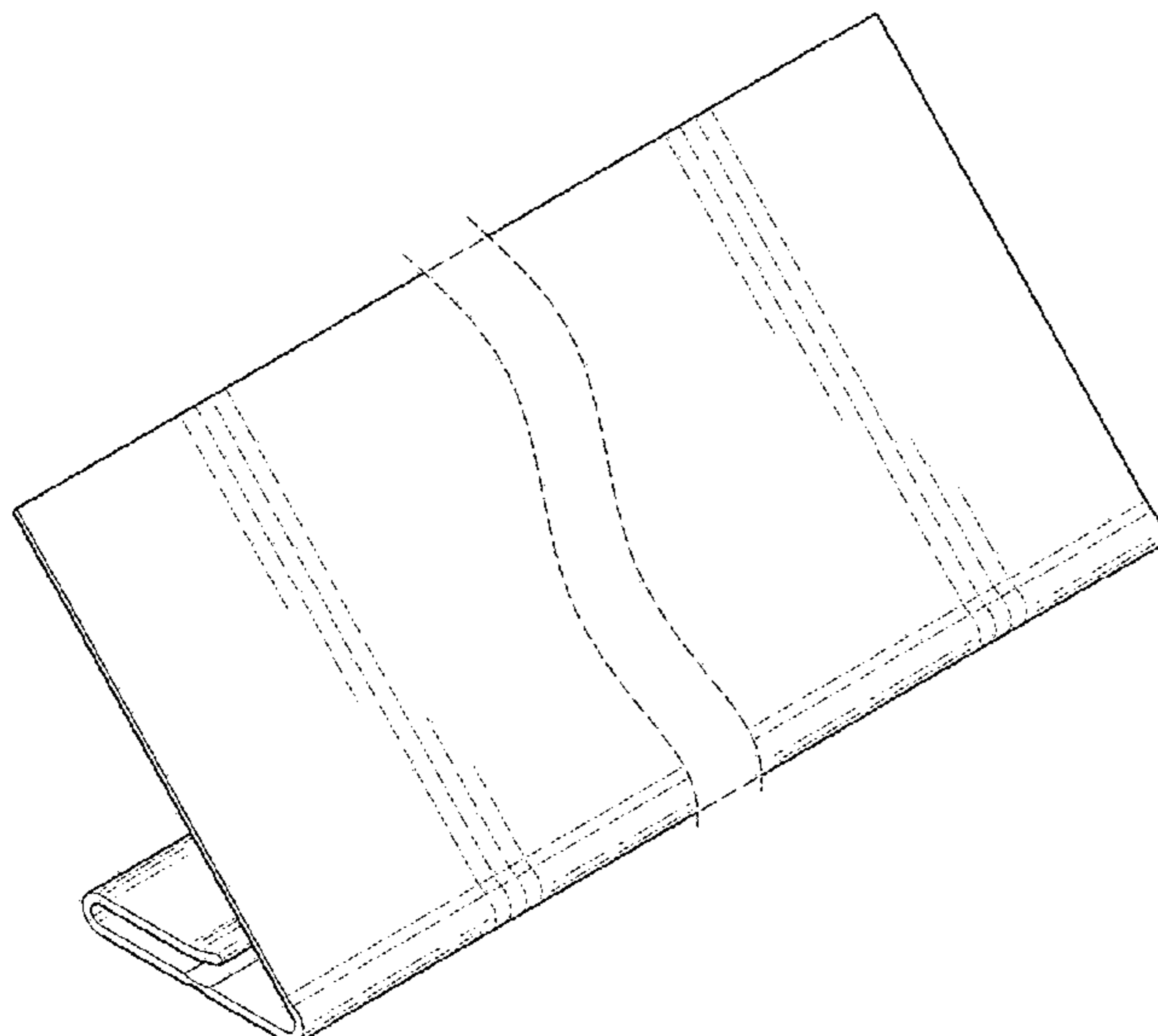
(57) **CLAIM**

We claim the ornamental design for a display clip, as shown and described.

DESCRIPTION

FIG. 1 is a top front perspective view of the claimed design; FIG. 2 is a bottom rear perspective view thereof; FIG. 3 is a front view thereof; FIG. 4 is a rear view thereof; FIG. 5 is a left view thereof, the right view being a mirror image thereof; FIG. 6 is a top view thereof; and, FIG. 7 is a bottom view thereof. The article is shown with a symbolic break in its length. The appearance of any portion of the article between the wavy break lines forms no part of the claimed design.

1 Claim, 6 Drawing Sheets



(56)

References Cited

U.S. PATENT DOCUMENTS

2004/0050812 A1* 3/2004 Rojas A47F 5/0068
40/649
2013/0061500 A1* 3/2013 Bird G09F 3/204
40/658

* cited by examiner

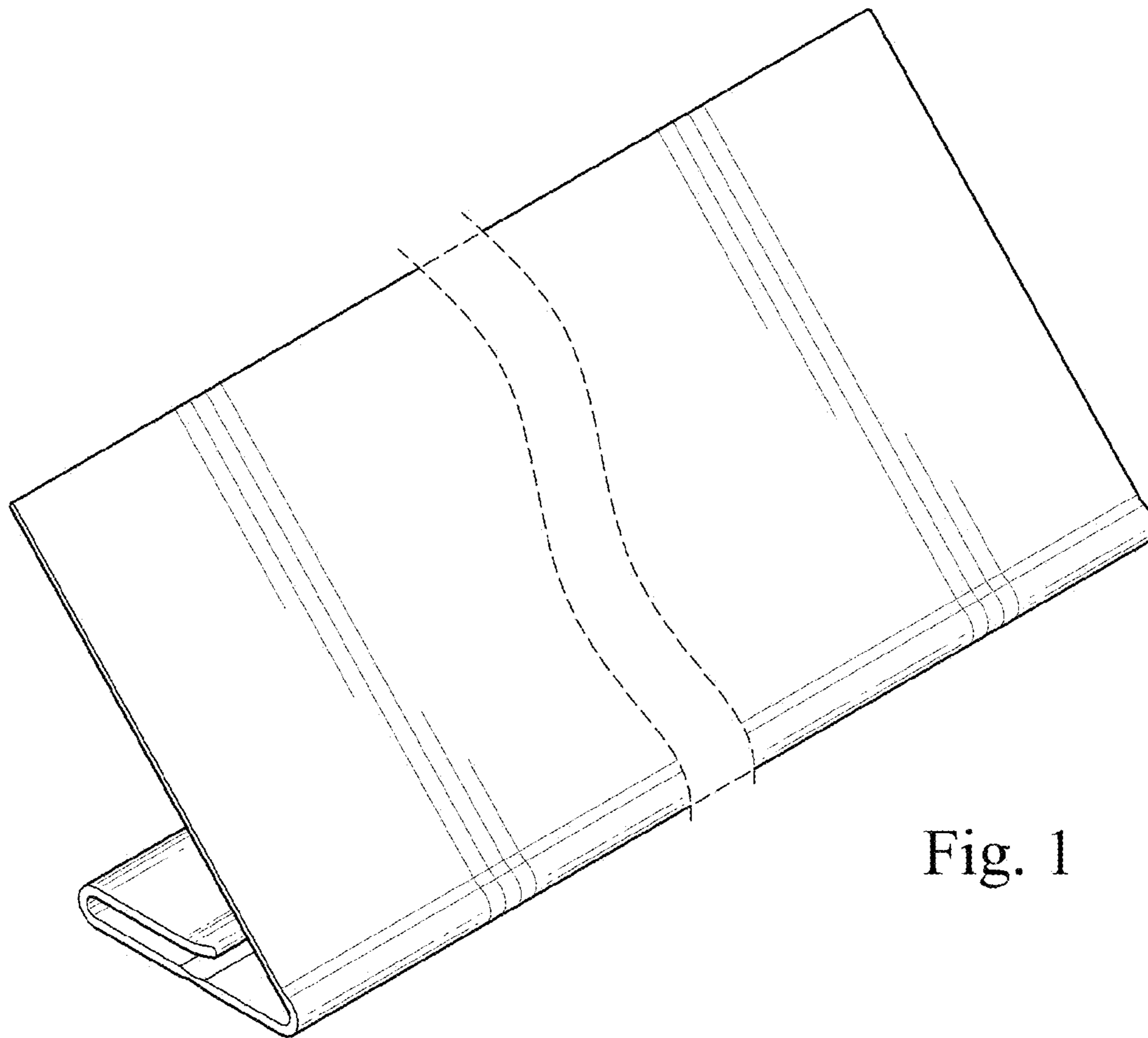
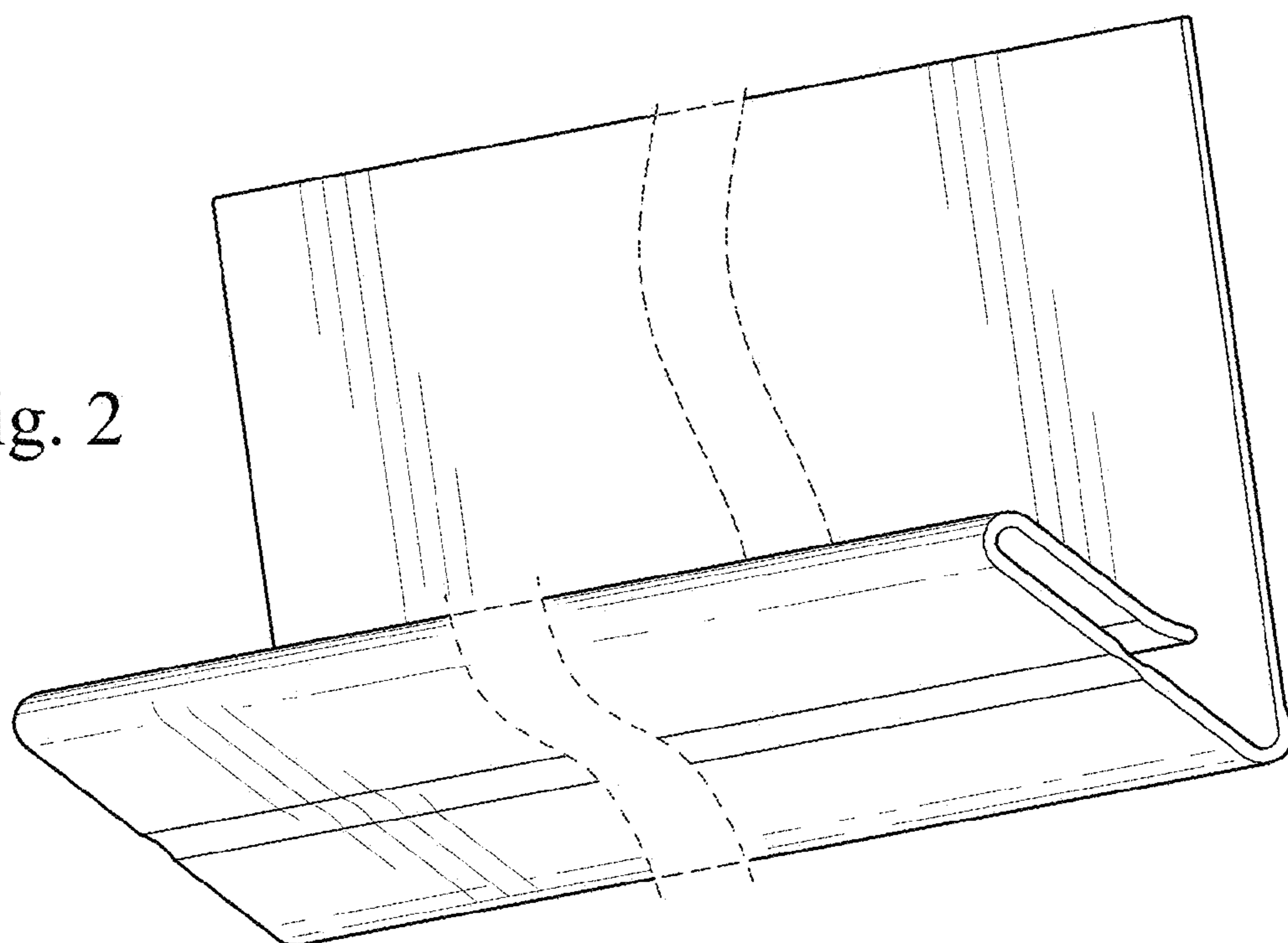


Fig. 1

Fig. 2



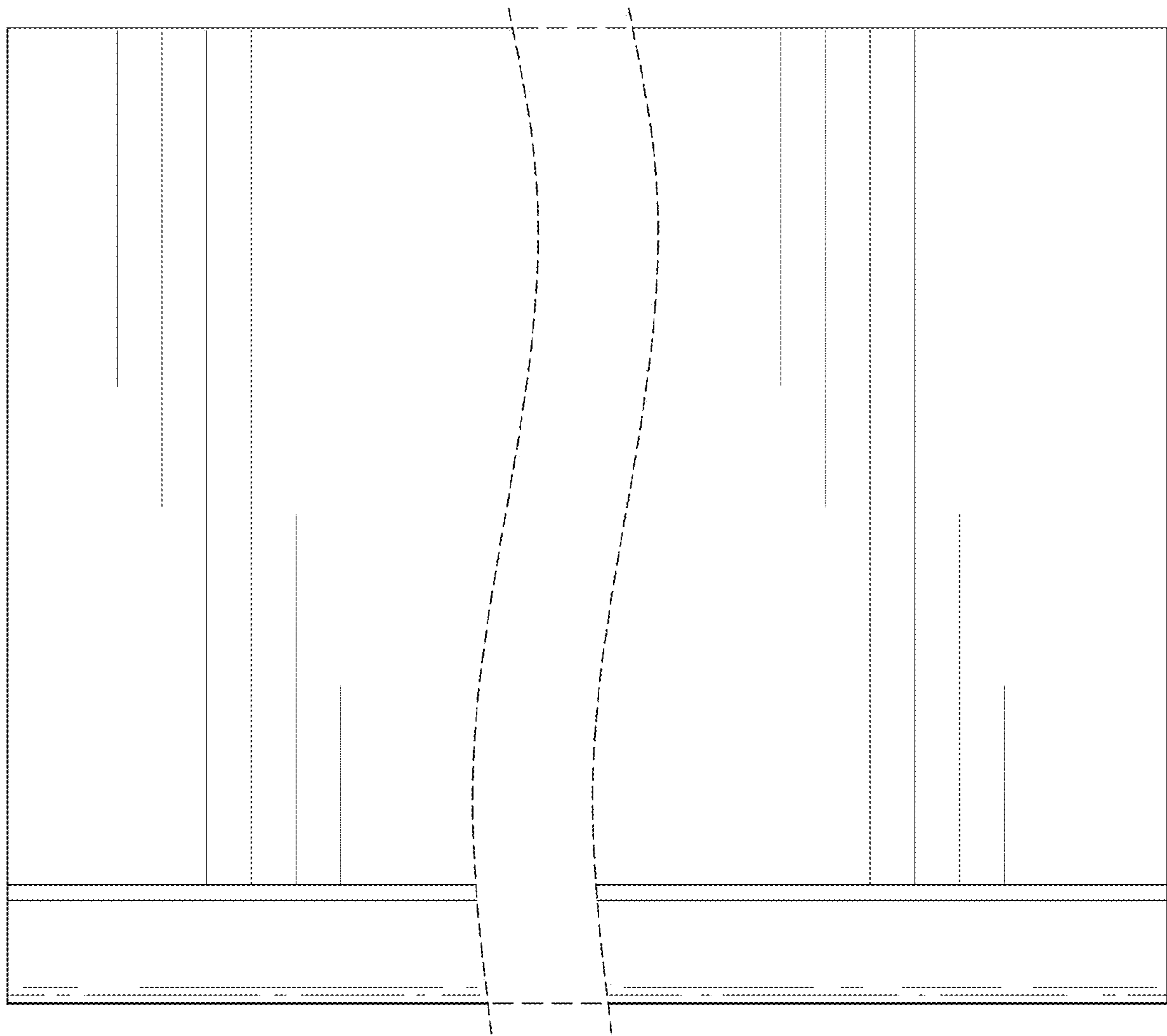


Fig. 3

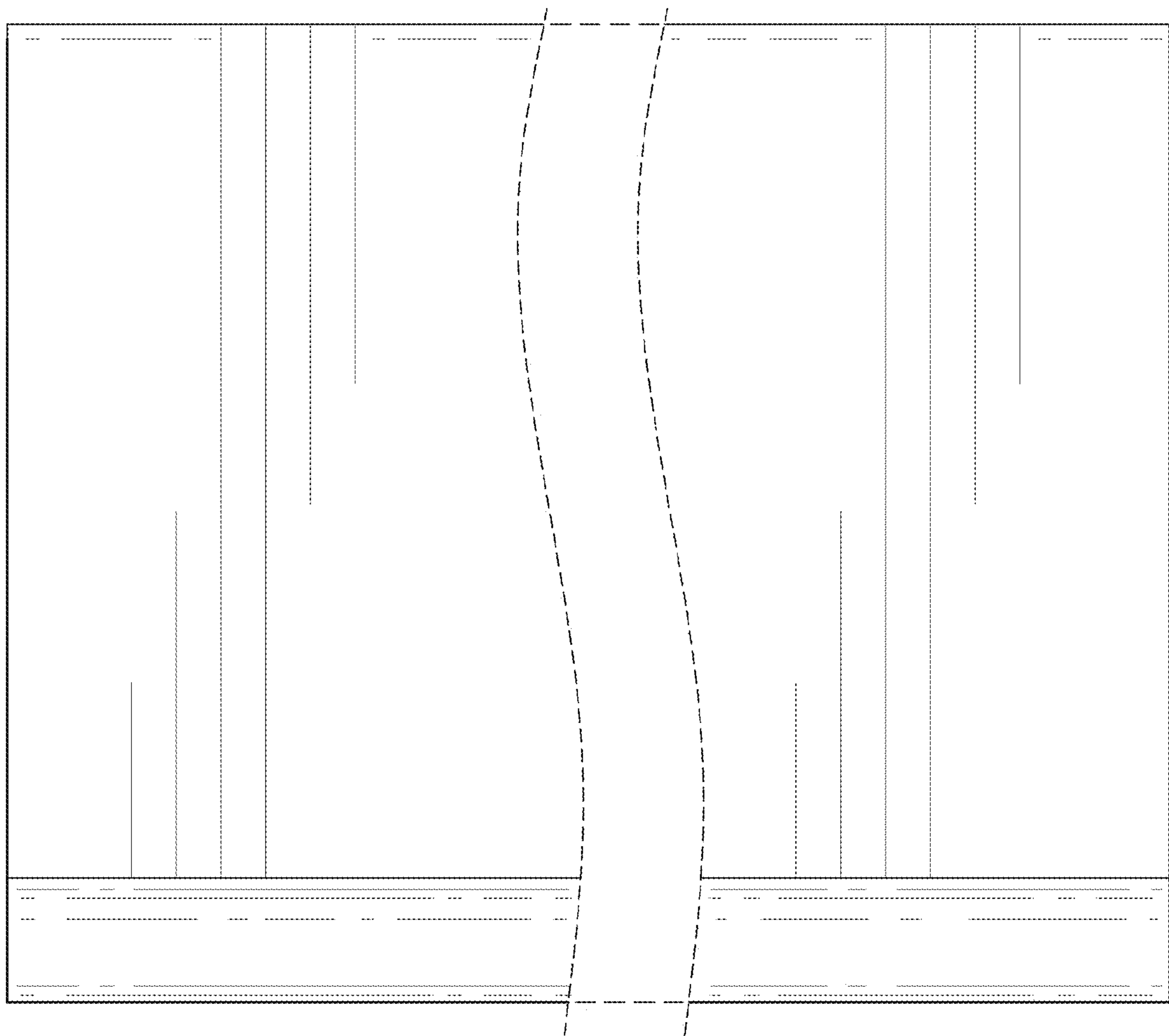


Fig. 4

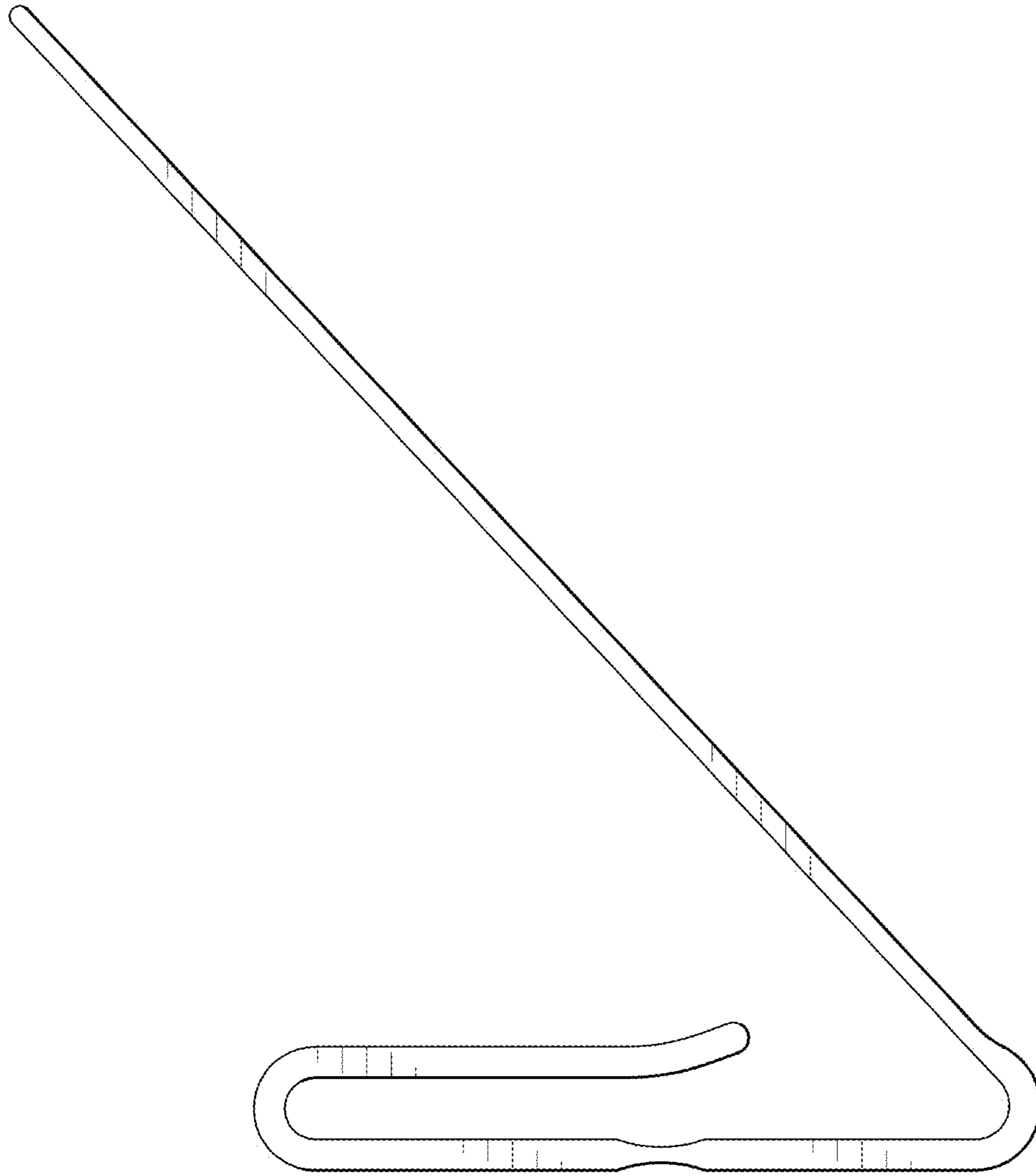


Fig. 5

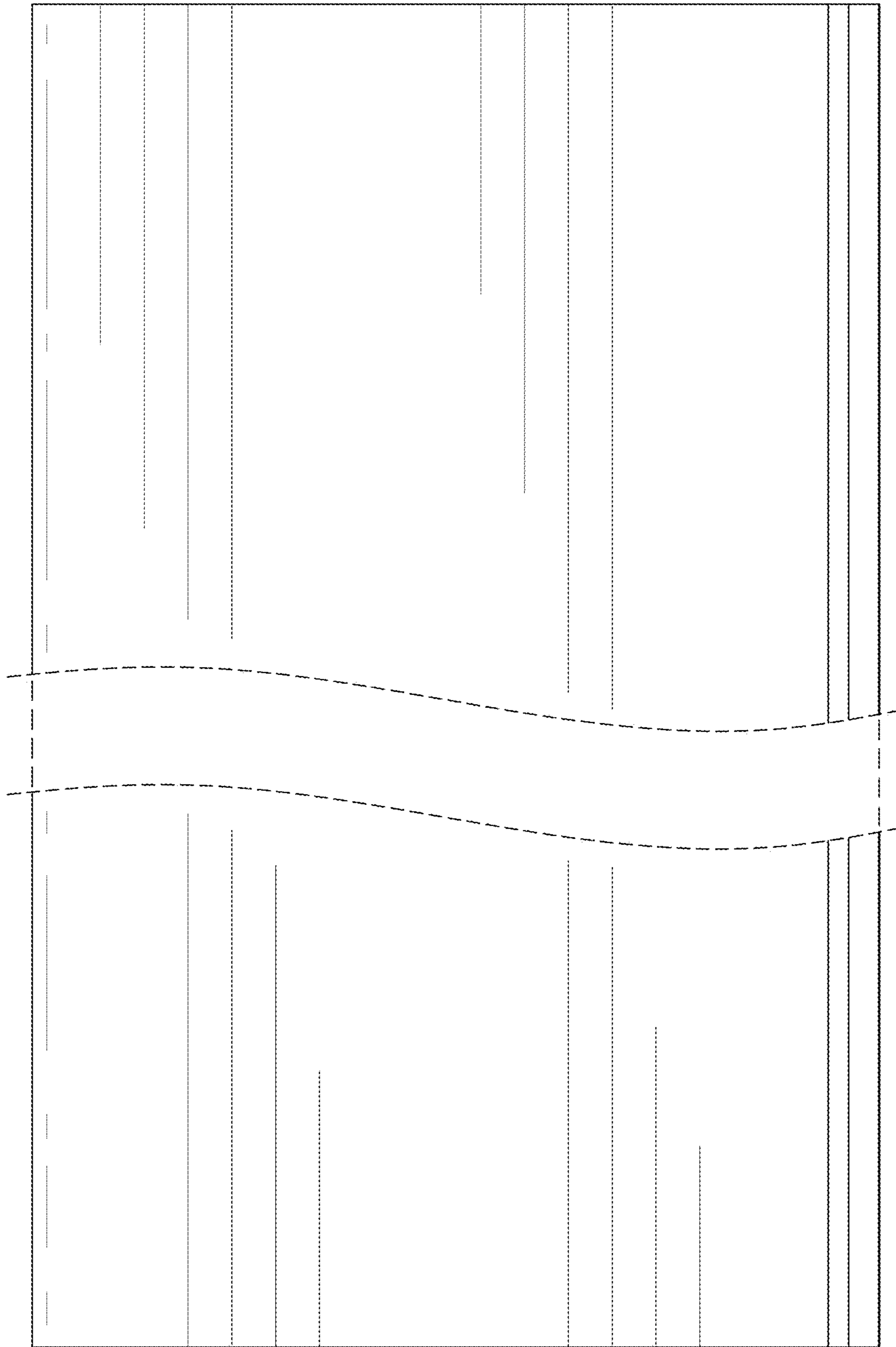


Fig. 6

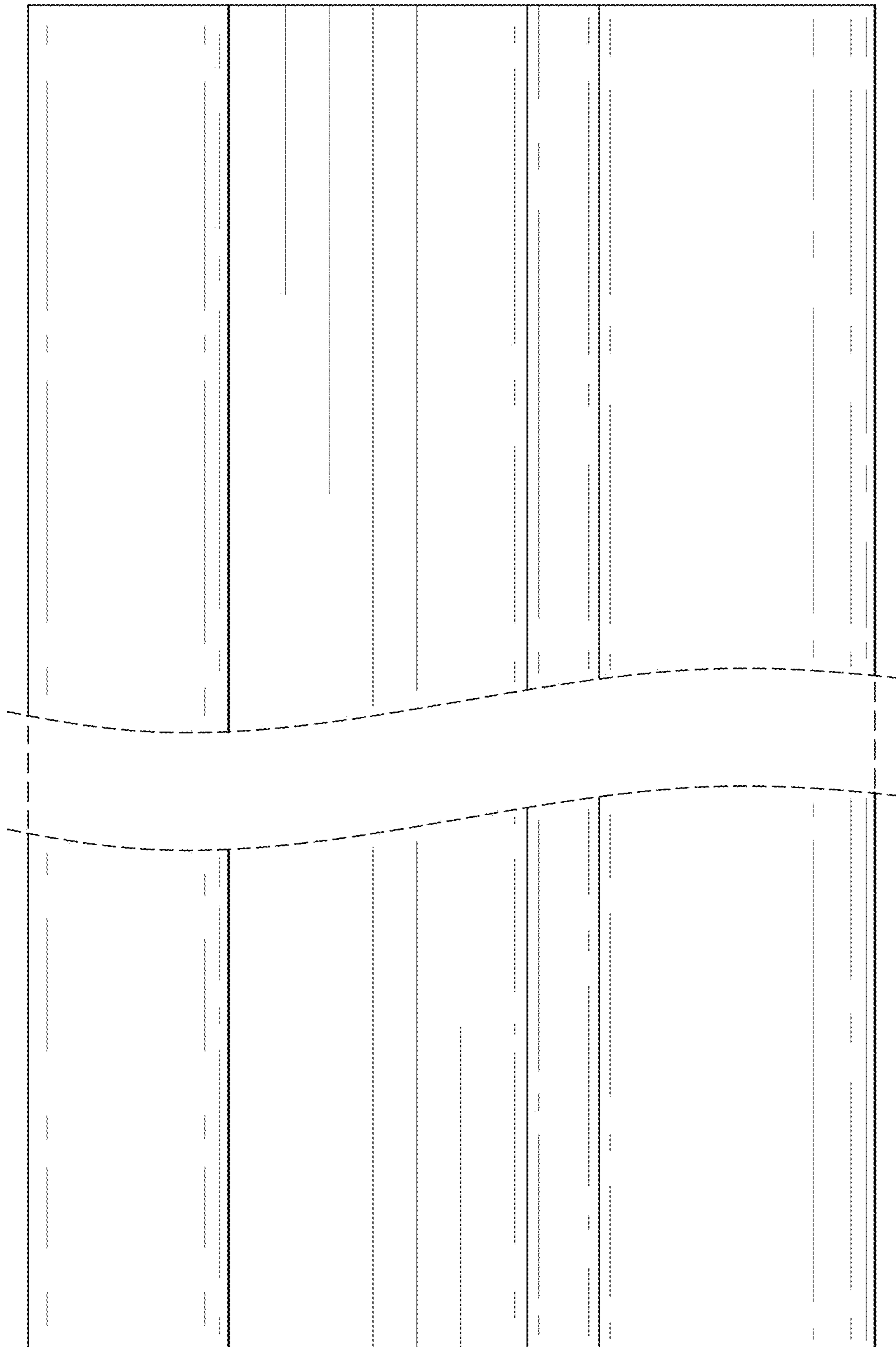


Fig. 7