



US00D989867S

(12) **United States Design Patent**
Eden

(10) **Patent No.:** **US D989,867 S**
(45) **Date of Patent:** **** Jun. 20, 2023**

- (54) **LED HOLDER FOR A RETAIL SHELF**
- (71) Applicant: **Keith C. Eden**, Rockford, IL (US)
- (72) Inventor: **Keith C. Eden**, Rockford, IL (US)
- (73) Assignee: **Fasteners for Retail, Inc.**, Twinsburg, OH (US)
- (**) Term: **15 Years**
- (21) Appl. No.: **29/746,526**
- (22) Filed: **Aug. 14, 2020**
- (51) **LOC (14) Cl.** **20-03**
- (52) **U.S. Cl.**
USPC **D20/43; D20/44**
- (58) **Field of Classification Search**
USPC D8/125, 126, 127, 129, 451; D6/325, D6/328; D13/155; D20/10, 42-44, 99; D25/119
CPC . G09F 3/16; G09F 3/204; G09F 3/207; G09F 3/205; G09F 3/208; G09F 3/185; G09F 3/18; G09F 3/10; G09F 3/0288; G09F 2003/0201; G09F 2003/0264; G09F 2003/0276; G09F 2003/0285; B32B 2451/00; B44C 1/1733; B44C 1/18; B44C 1/24
See application file for complete search history.

3,958,788 A * 5/1976 Feibelman A47F 5/0853
248/307
D386,535 S * 11/1997 Odmark D20/43
D425,402 S * 5/2000 Welborn D8/354
D477,420 S * 7/2003 Butcher D25/119
7,316,089 B2 * 1/2008 Brinkman G09F 3/204
40/657
D573,657 S * 7/2008 Caterinacci D20/43
D742,547 S * 11/2015 Singh D25/119
11,180,913 B2 * 11/2021 Baltz, Jr. E04F 13/007
2012/0090208 A1 * 4/2012 Grant G09F 3/204
40/606.15
2021/0375161 A1 * 12/2021 Eden G09F 13/0413

* cited by examiner

Primary Examiner — Catherine Ho
(74) *Attorney, Agent, or Firm* — Reinhart Boerner Van Deuren P.C.

(57) **CLAIM**

I claim the ornamental design for the LED holder for a retail shelf, as shown and described.

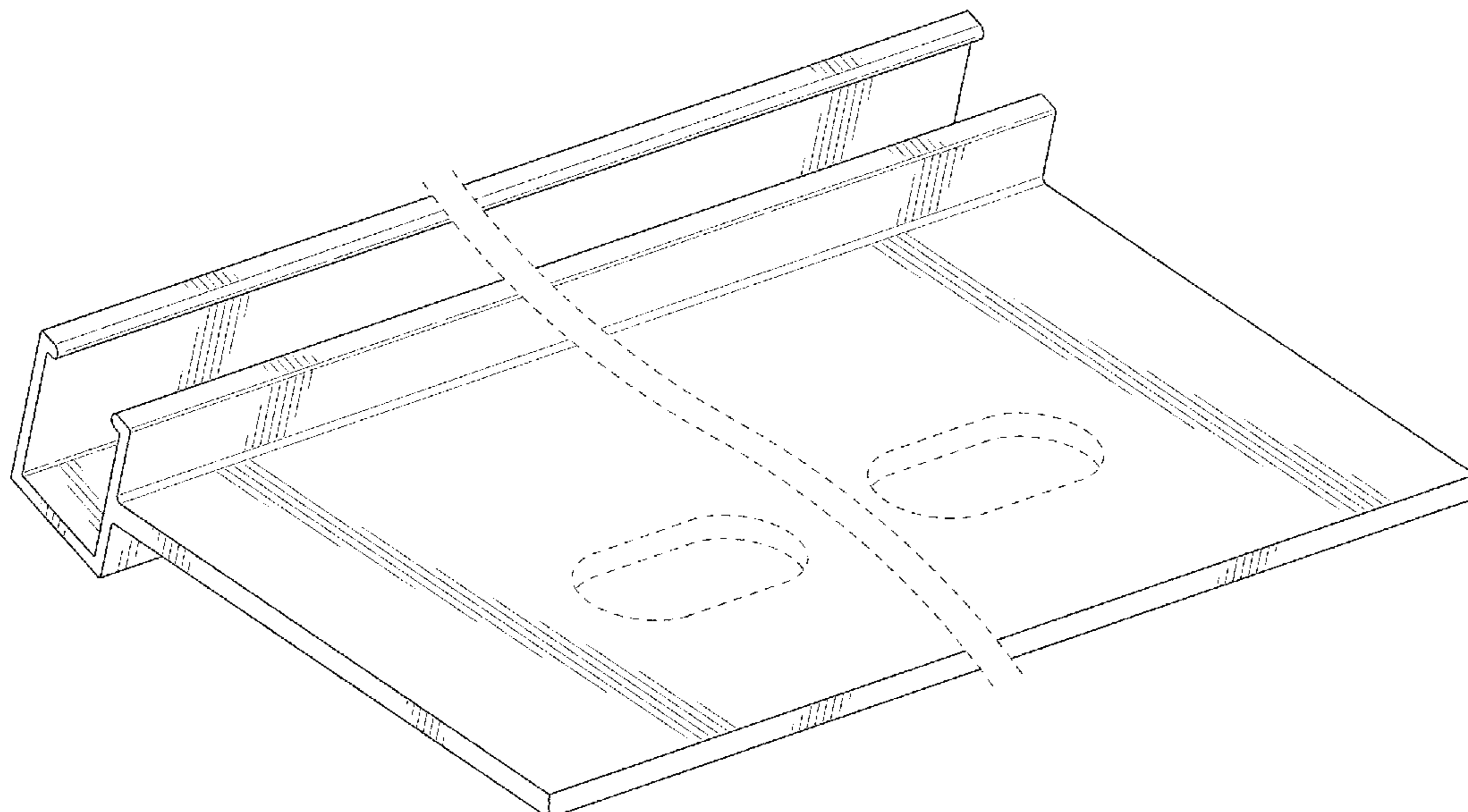
DESCRIPTION

FIG. 1 is a perspective view of the LED holder for a retail shelf;
 FIG. 2 is a rear view thereof;
 FIG. 3 is a front view thereof;
 FIG. 4 is a side view thereof;
 FIG. 5 is a side view thereof showing the side opposite that shown in FIG. 4;
 FIG. 6 is a top view thereof; and,
 FIG. 7 is a bottom view thereof.

The broken lines show portions of the article that form no part of the claimed design. The article is shown with a symbolic break in its length. The appearance of any portion of the article between the wavy break lines forms no part of the claimed design.

1 Claim, 6 Drawing Sheets

- (56) **References Cited**
U.S. PATENT DOCUMENTS
2,049,855 A * 8/1936 Meyer G09F 3/20
40/652
2,320,463 A * 6/1943 Pavlovic, Jr. G09F 3/20
40/653
D151,022 S * 9/1948 Weber D23/389
2,856,711 A * 10/1958 Hobbs G09F 3/20
40/651
D229,706 S * 12/1973 Lewis D21/392



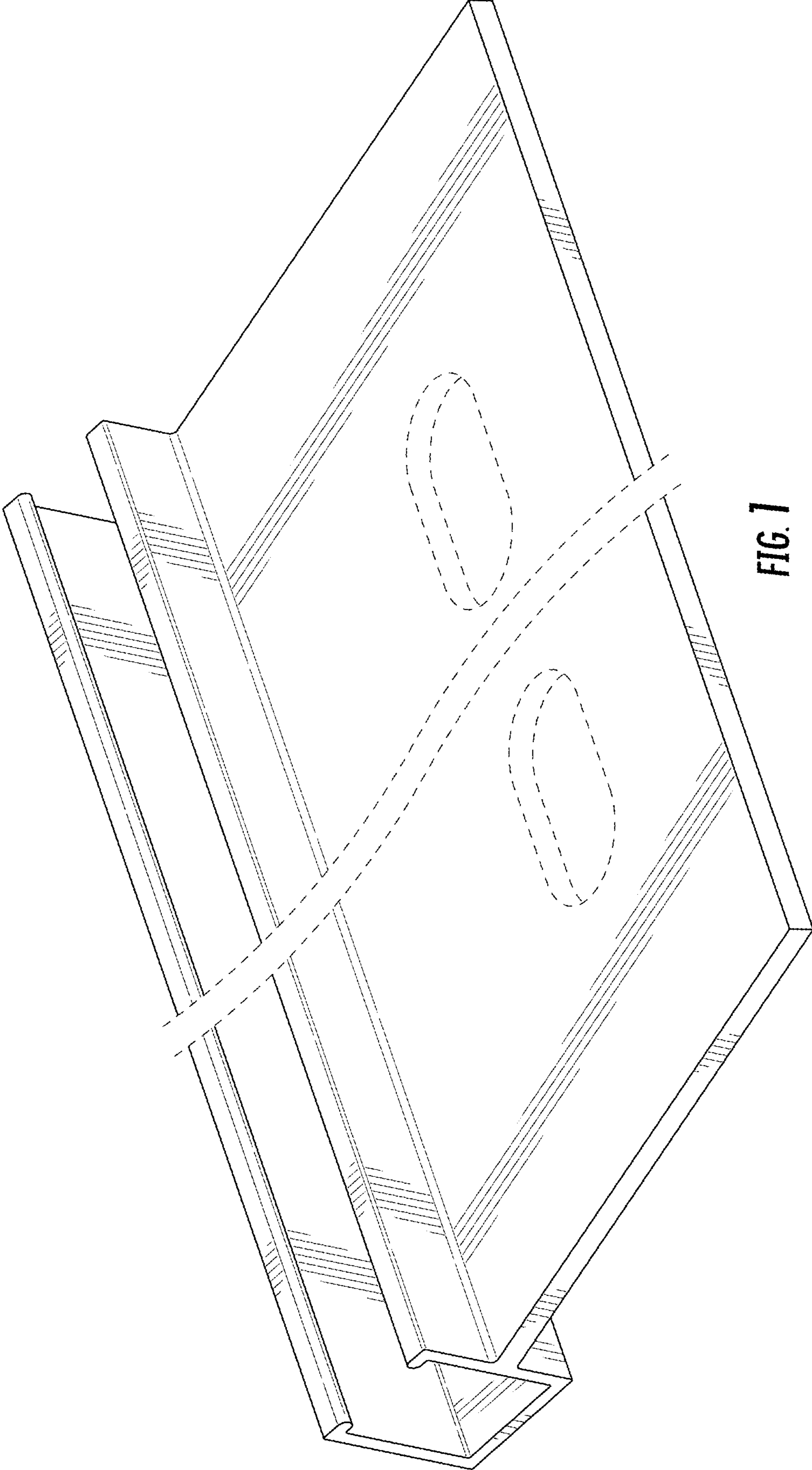


FIG. 1

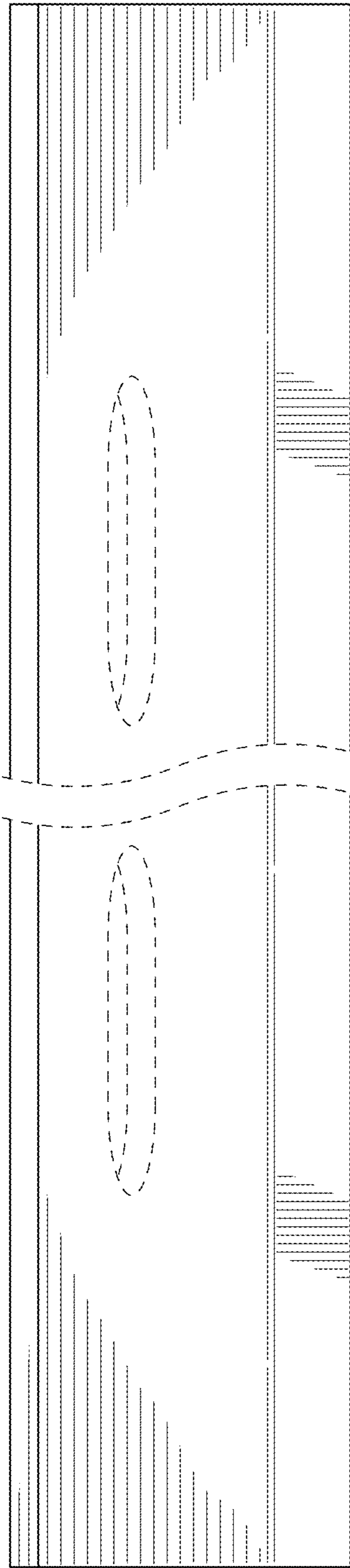


FIG. 2

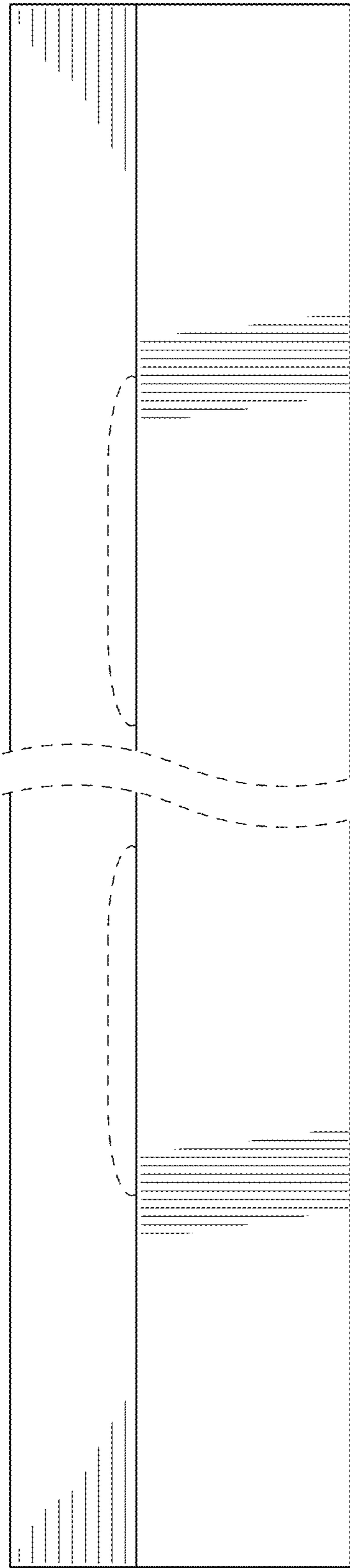


FIG. 3

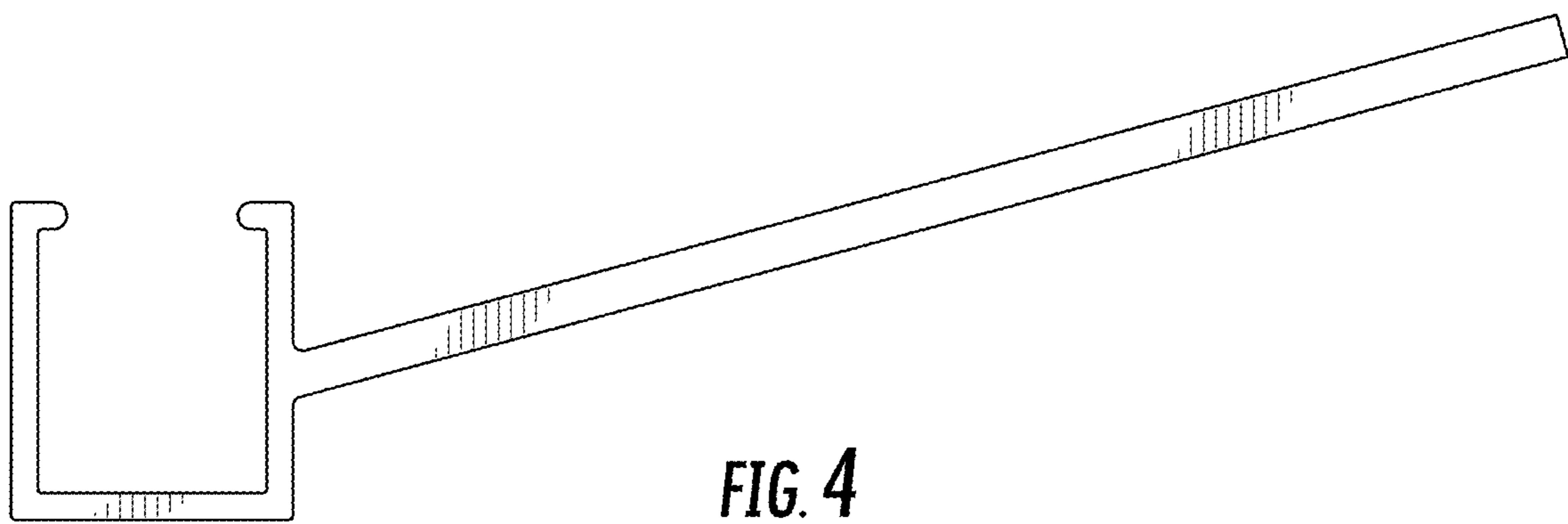


FIG. 4

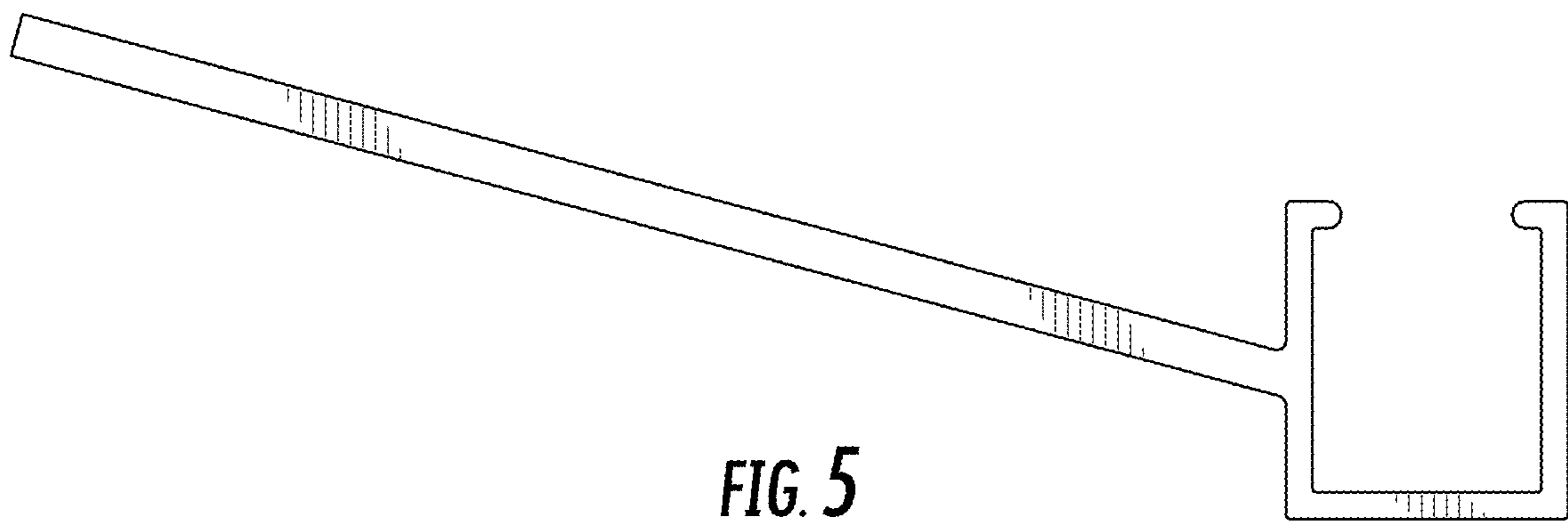


FIG. 5

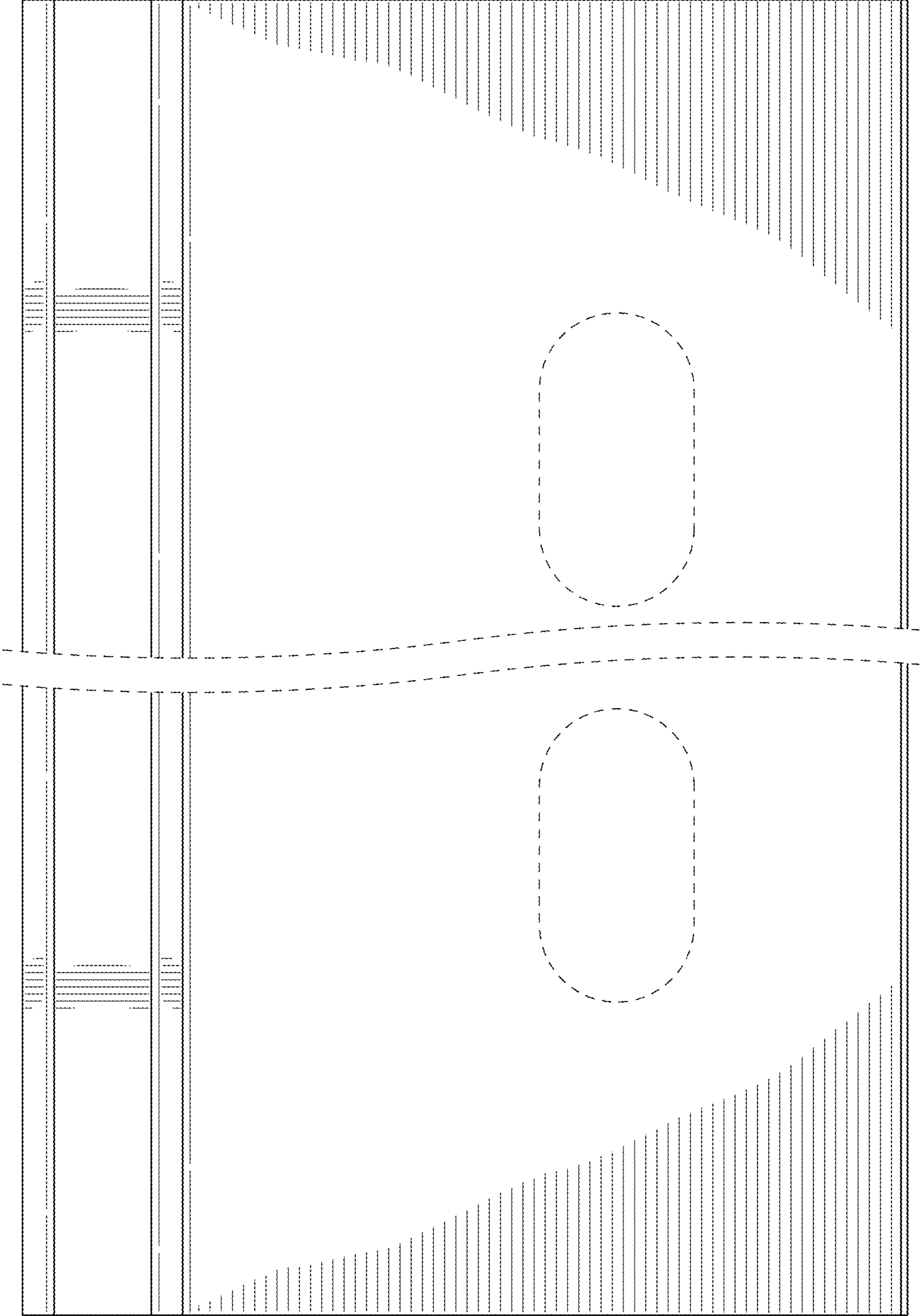


FIG. 6

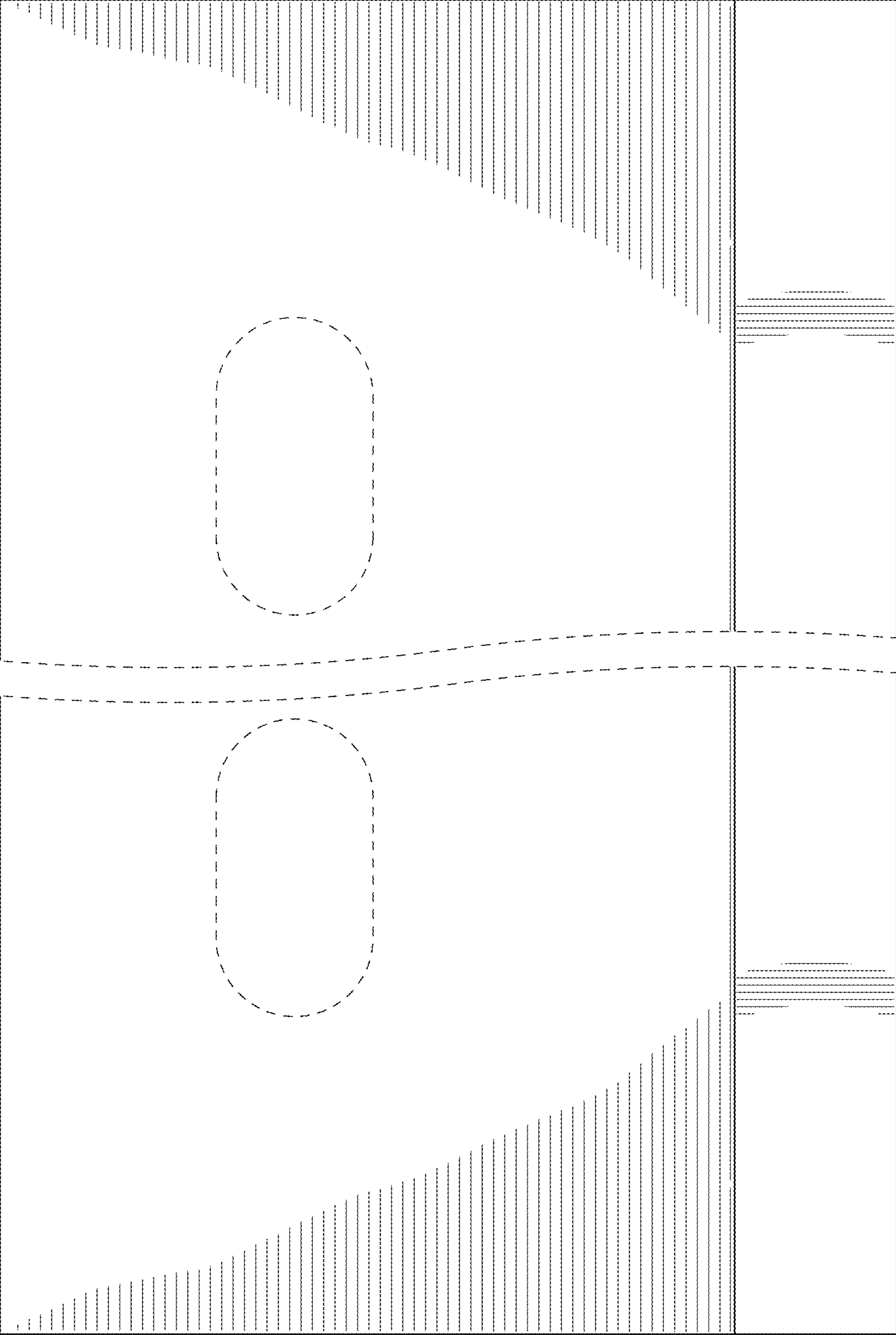


FIG. 7