



US00D989866S

(12) **United States Design Patent** (10) **Patent No.:** **US D989,866 S**
Ustach et al. (45) **Date of Patent:** **** Jun. 20, 2023**

(54) **SIGN**
(71) Applicant: **McCue Corporation**, Danvers, MA (US)
(72) Inventors: **Thomas Ustach**, Boston, MA (US); **Matthew O'Brien**, Gresham, OR (US)
(73) Assignee: **McCue Corporation**, Danvers, MA (US)

D212,787 S * 11/1968 McCormick D20/17
D218,670 S * 9/1970 Brentrup D20/41
D334,314 S * 3/1993 Milton D6/708
D445,054 S * 7/2001 Despino F41H 11/08
D10/113.2
6,986,496 B2 * 1/2006 Roberts E01F 9/692
40/607.01
D787,600 S * 5/2017 McCue D20/41
D920,431 S * 5/2021 Wang D20/41
D941,394 S * 1/2022 Brandewie D20/41
2008/0219763 A1 * 9/2008 Jameson E01F 9/692
404/11

(**) Term: **15 Years**

OTHER PUBLICATIONS

(21) Appl. No.: **29/828,673**
(22) Filed: **Feb. 28, 2022**
(51) **LOC (14) Cl.** **20-03**
(52) **U.S. Cl.**
USPC **D20/41**; D20/10
(58) **Field of Classification Search**
USPC D5/8; D6/300, 303, 657, 672, 673;
D10/104.1, 104.2, 109.1, 109.2;
D13/102; D14/126, 371, 374; D20/10,
D20/11, 16, 17, 18, 19, 22, 27, 28, 31,
D20/32, 39, 40, 41, 42, 99
CPC G09F 13/18; G09F 2013/184; G09F
2013/1872; G09F 2013/1877; G09F
13/20; G09F 13/22; G09F 13/02; G09F
7/00; G09F 2007/007; G09F 7/02; G09F
9/00; G09F 19/00; G09F 15/00; G09F
15/0006; G09F 15/0037
See application file for complete search history.

Bumpersign, posted at mccue.com, posted on Sep. 25, 2021, site visited Dec. 3, 2022. online, available from internet: <https://web.archive.org/web/20210925063231/https://www.mccue.com/products/bumpersign-mobile> (Year: 2021).*

* cited by examiner

Primary Examiner — Catherine Ho
(74) *Attorney, Agent, or Firm* — Occhiuti & Rohlicek LLP

(57) **CLAIM**

The ornamental design for a sign, as shown and described.

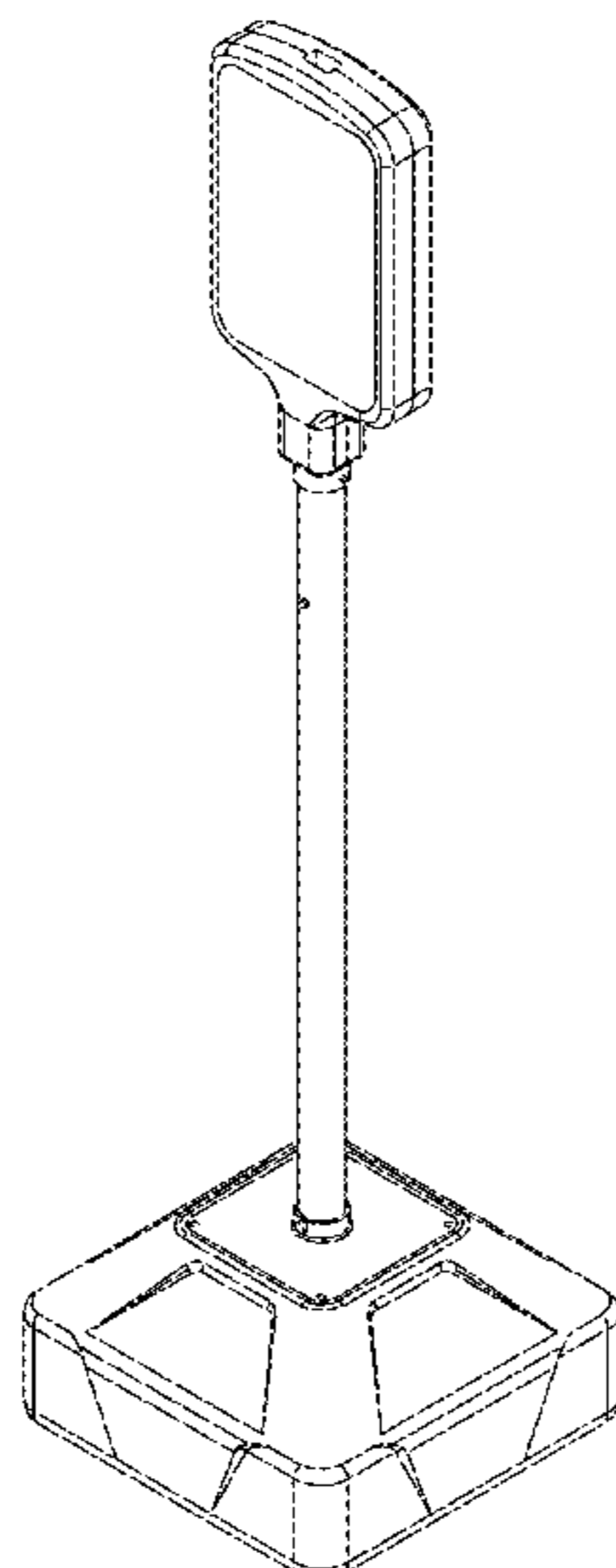
DESCRIPTION

FIG. 1 is a right perspective view of a sign, showing our new design;
FIG. 2 is a left perspective view thereof;
FIG. 3 is a front view thereof, the rear view being a mirror image thereof; and,
FIG. 4 is a bottom view thereof.
The broken line portion of the figure drawings is included to show portions of the article that form no part of the claimed design.

(56) **References Cited**
U.S. PATENT DOCUMENTS

D60,515 S * 3/1922 Dlouhy D20/41
D60,887 S * 4/1922 Tuttle D20/41
D116,338 S * 8/1939 Gist D20/41
D170,030 S * 7/1953 Sauer D10/113.2
3,119,588 A * 1/1964 Keats E01F 9/688
40/607.04
D202,866 S * 11/1965 Handley D20/41

1 Claim, 3 Drawing Sheets



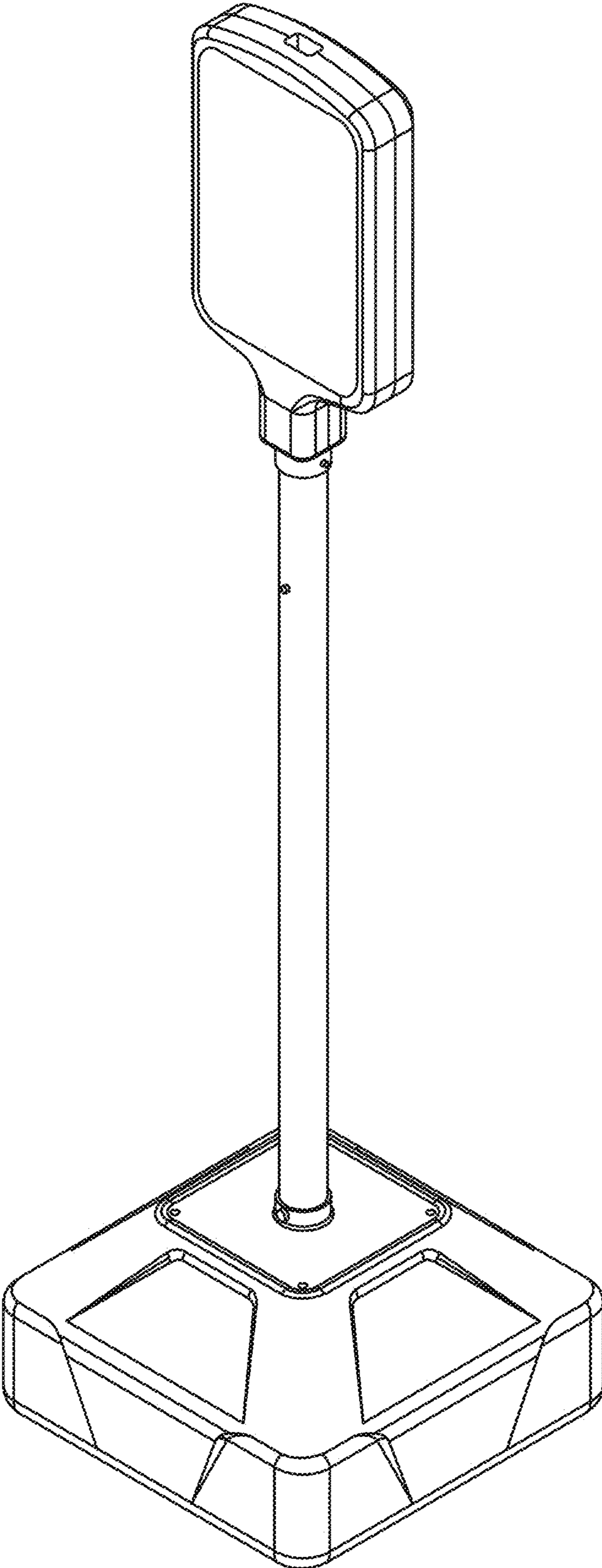


FIG. 1

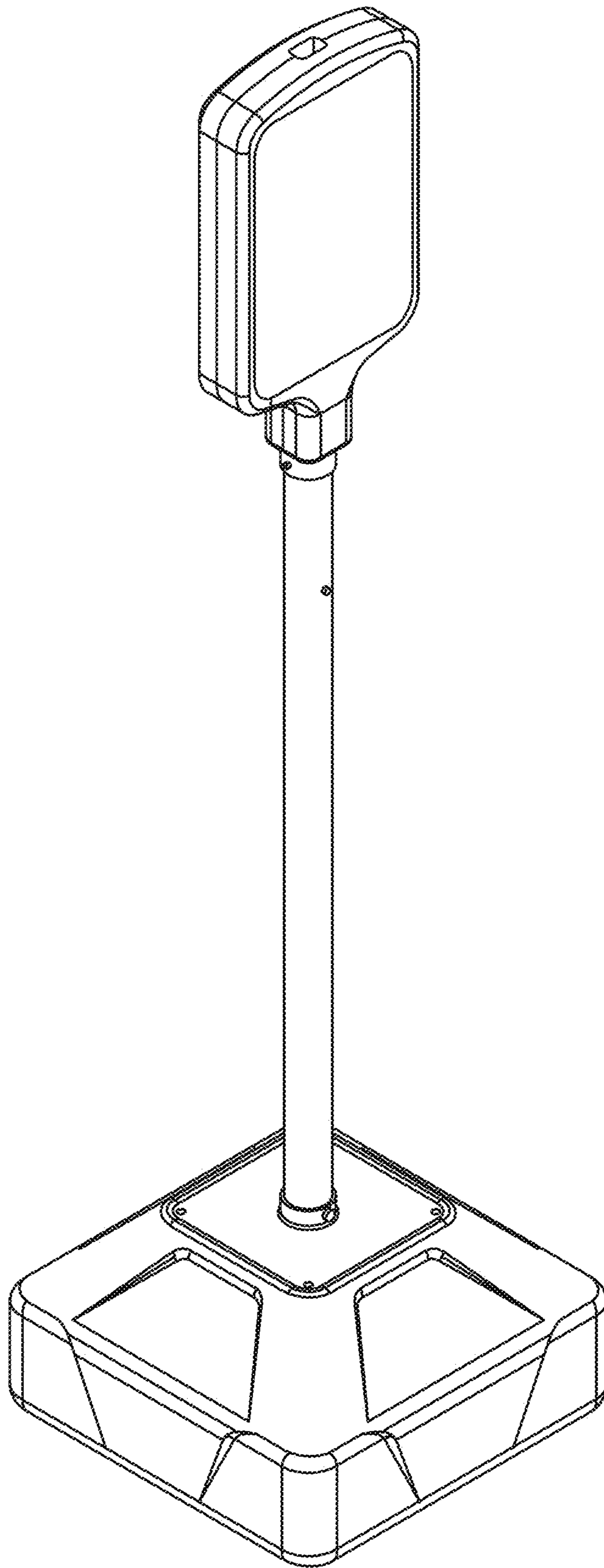


FIG. 2

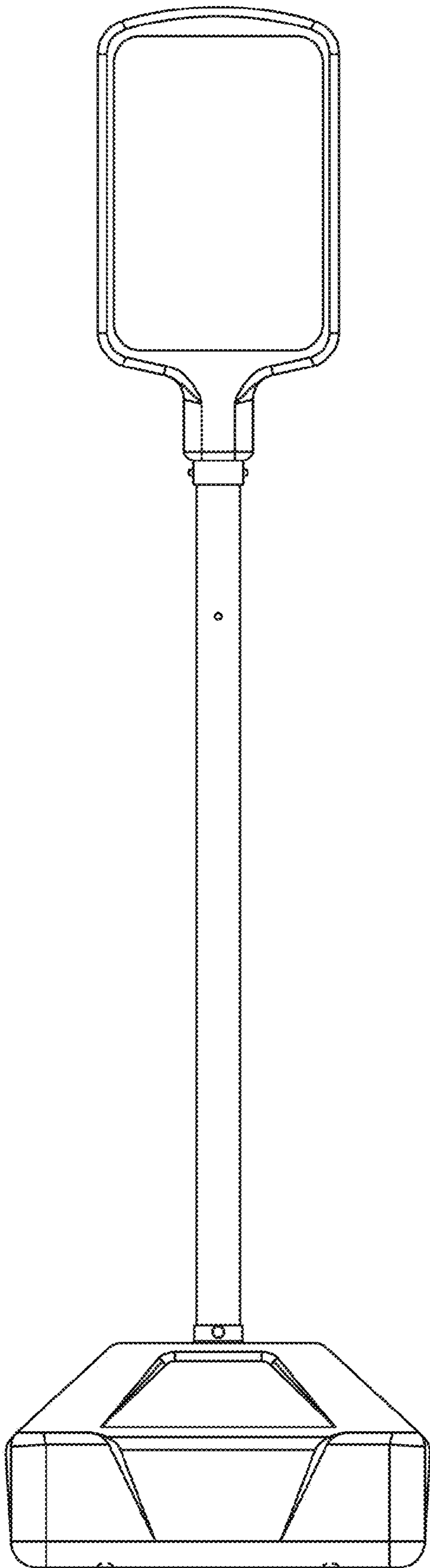


FIG. 3

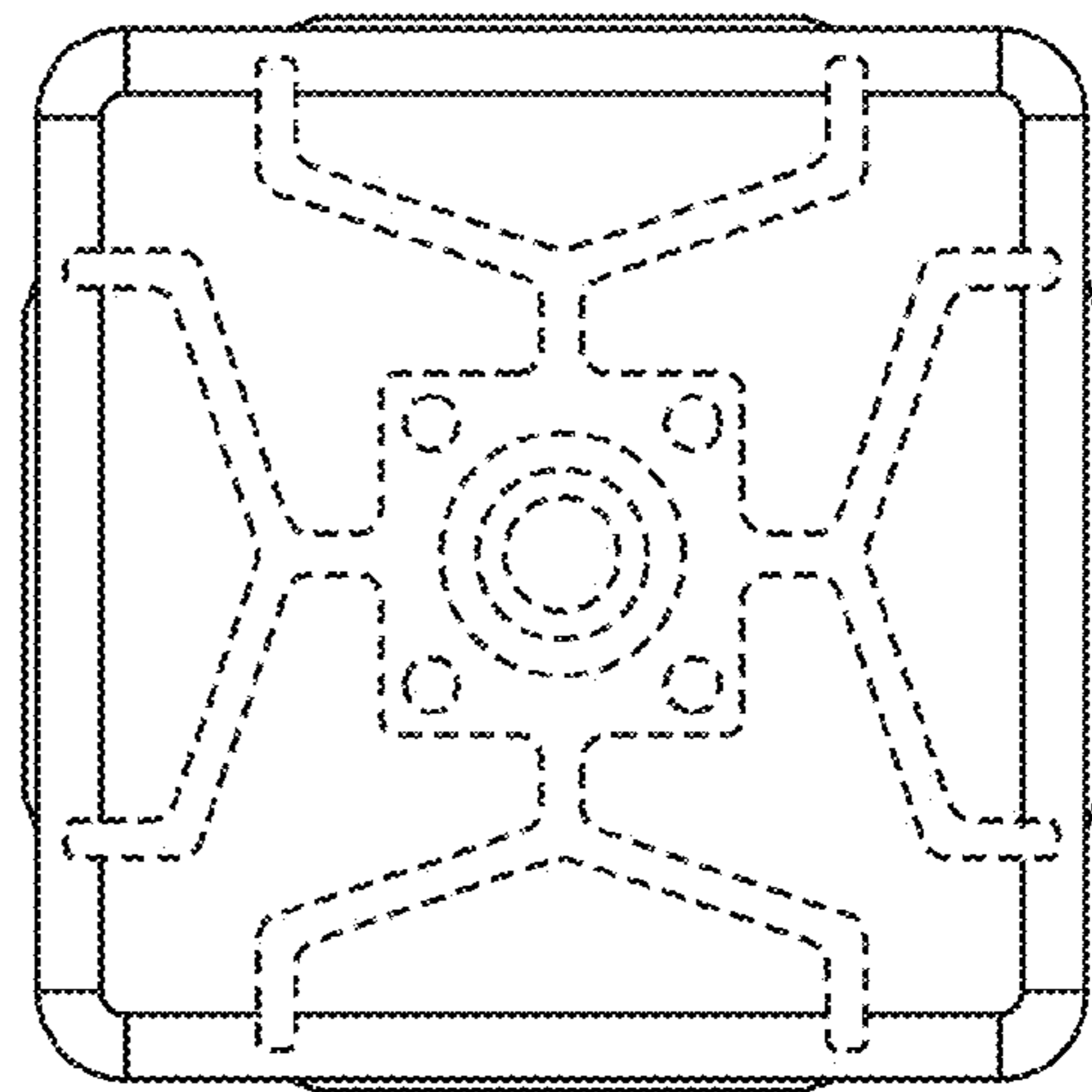


FIG. 4